



US00D923207S

(12) **United States Design Patent**  
**Zhou**

(10) **Patent No.:** **US D923,207 S**

(45) **Date of Patent:** **\*\* Jun. 22, 2021**

(54) **FLAME HEAD FOR SIMULATION CANDLE**

(71) Applicant: **NINGBO LANGSHENG ARTWARE CO., LTD.,** Ningbo (CN)

(72) Inventor: **Xinde Zhou,** Ningbo (CN)

(\*\*) Term: **15 Years**

(21) Appl. No.: **29/716,296**

(22) Filed: **Dec. 9, 2019**

(51) **LOC (13) Cl.** ..... **26-02**

(52) **U.S. Cl.**  
USPC ..... **D26/5**

(58) **Field of Classification Search**  
USPC ..... D26/5, 94  
CPC ..... F21S 10/04; F21S 10/046  
See application file for complete search history.

(56) **References Cited**

**U.S. PATENT DOCUMENTS**

6,712,493	B2 *	3/2004	Tell	.....	F21S 10/046	362/237
D576,317	S *	9/2008	Jensen	.....	D26/5	
D747,509	S *	1/2016	Liang	.....	D26/24	
9,664,349	B1 *	5/2017	Hurduc	.....	F21S 10/046	
D911,586	S *	2/2021	Lin	.....	D26/96	
2004/0085774	A1 *	5/2004	Hsu	.....	F21S 10/04	362/392

2011/0317403 A1\* 12/2011 Fournier ..... F21S 10/04  
362/183

2015/0338087 A1\* 11/2015 Fang ..... F21S 6/001  
362/96

2019/0017669 A1\* 1/2019 Boldsen ..... F21S 10/046

2019/0117669 A1\* 4/2019 Munger ..... F21S 10/046

\* cited by examiner

*Primary Examiner* — Brian N. Vinson

(74) *Attorney, Agent, or Firm* — W&K IP

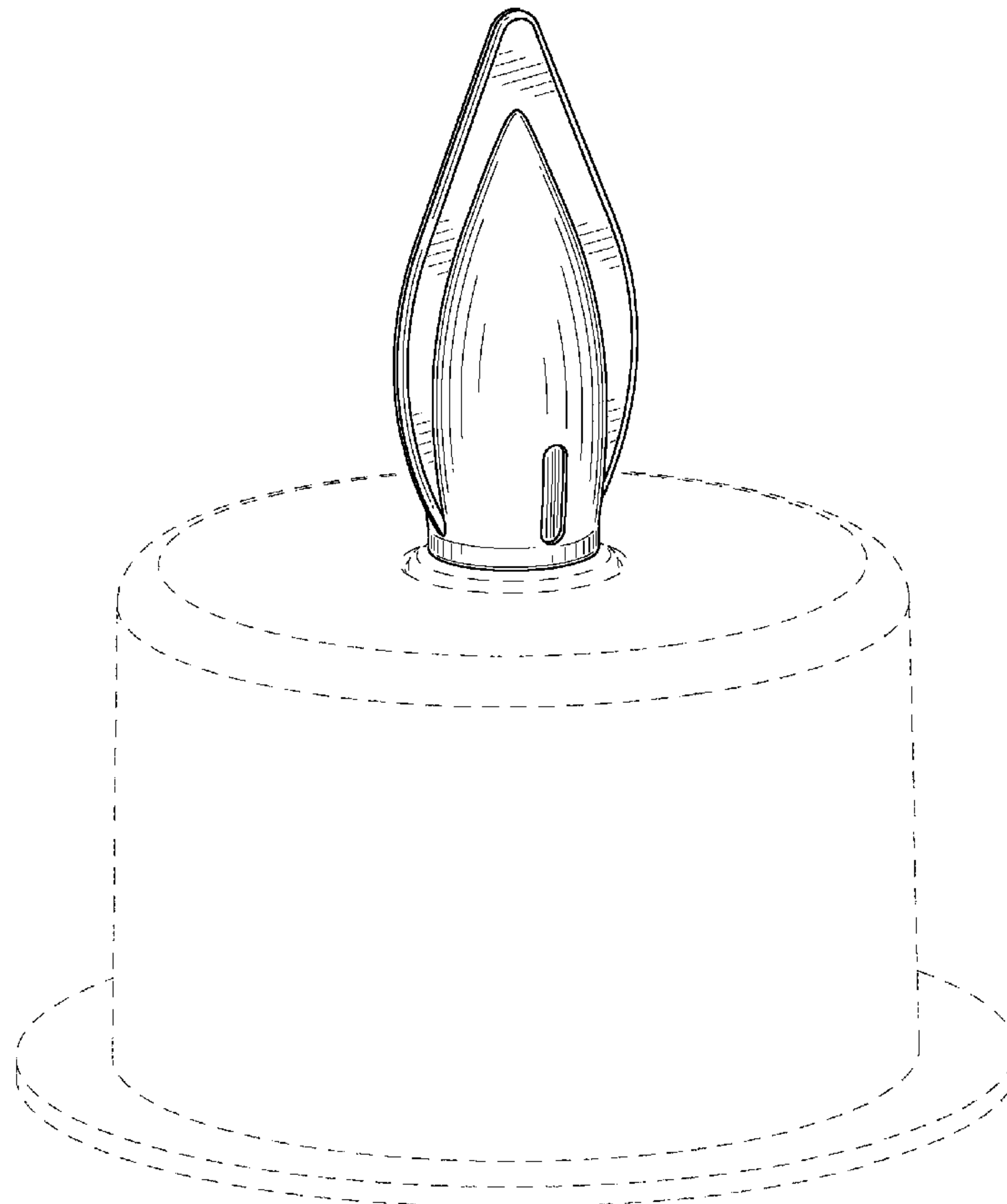
(57) **CLAIM**

The ornamental design for a flame head for simulation candle, as shown and described.

**DESCRIPTION**

FIG. 1 is a perspective view of a flame head for simulation candle, showing my new design;  
FIG. 2 is a front elevational view thereof;  
FIG. 3 is a rear elevational view thereof;  
FIG. 4 is a top plan view thereof;  
FIG. 5 is a bottom plan view thereof;  
FIG. 6 is a left elevational view thereof; and,  
FIG. 7 is a right elevational view thereof.  
The evenly broken lines where present illustrate portions of the flame head for simulation candle that form no part of the claimed design.

**1 Claim, 7 Drawing Sheets**



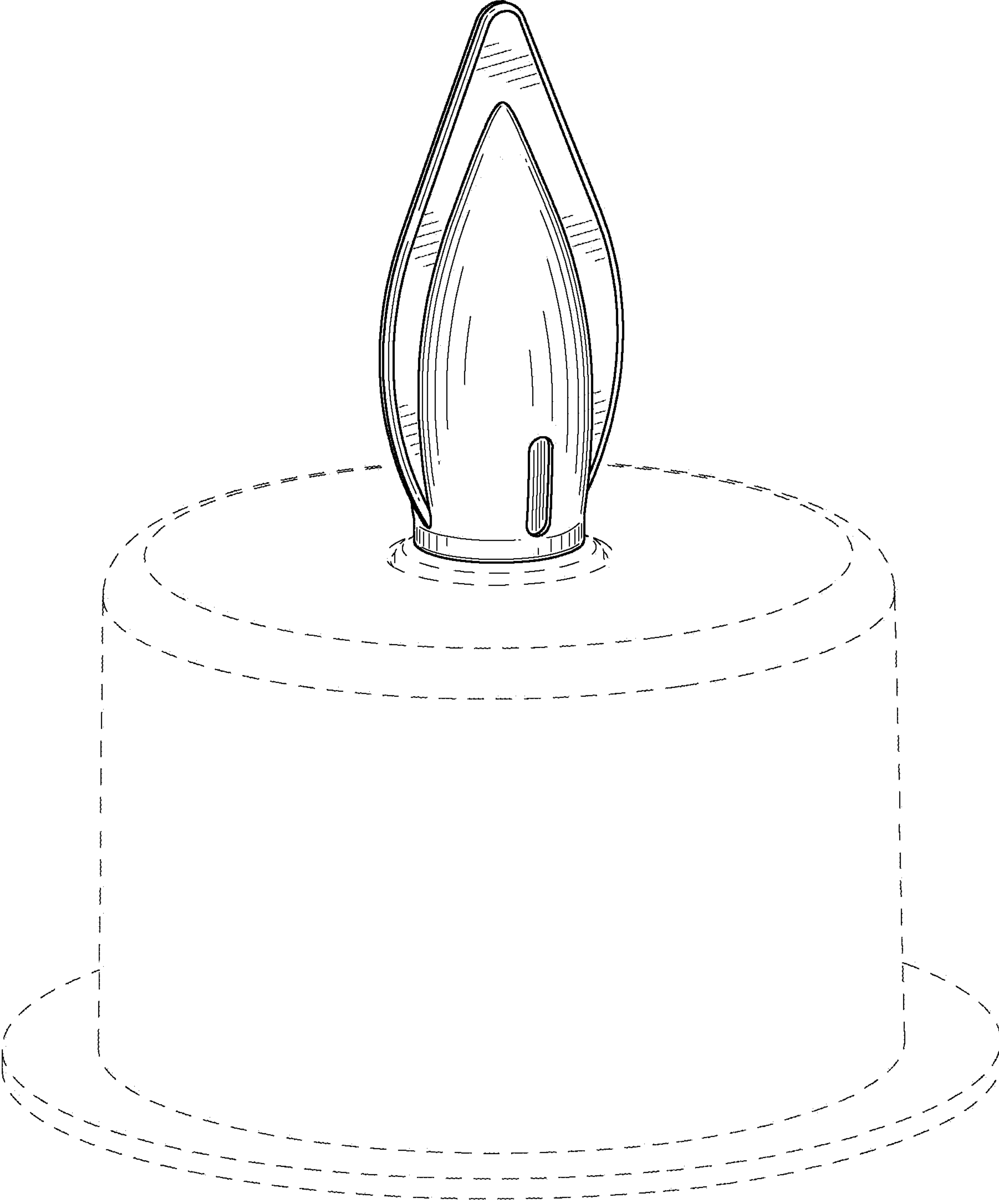


FIG. 1

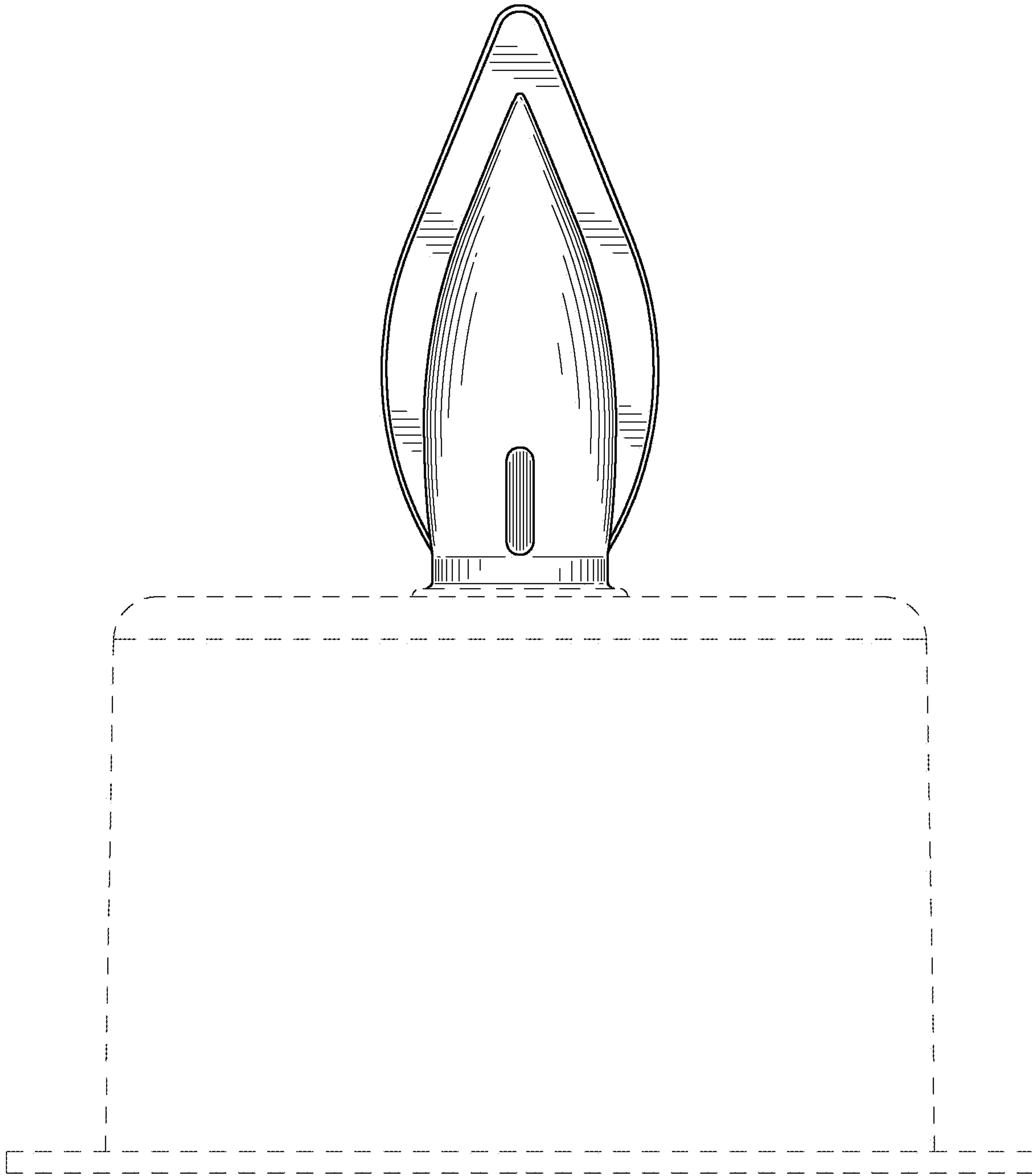


FIG. 2

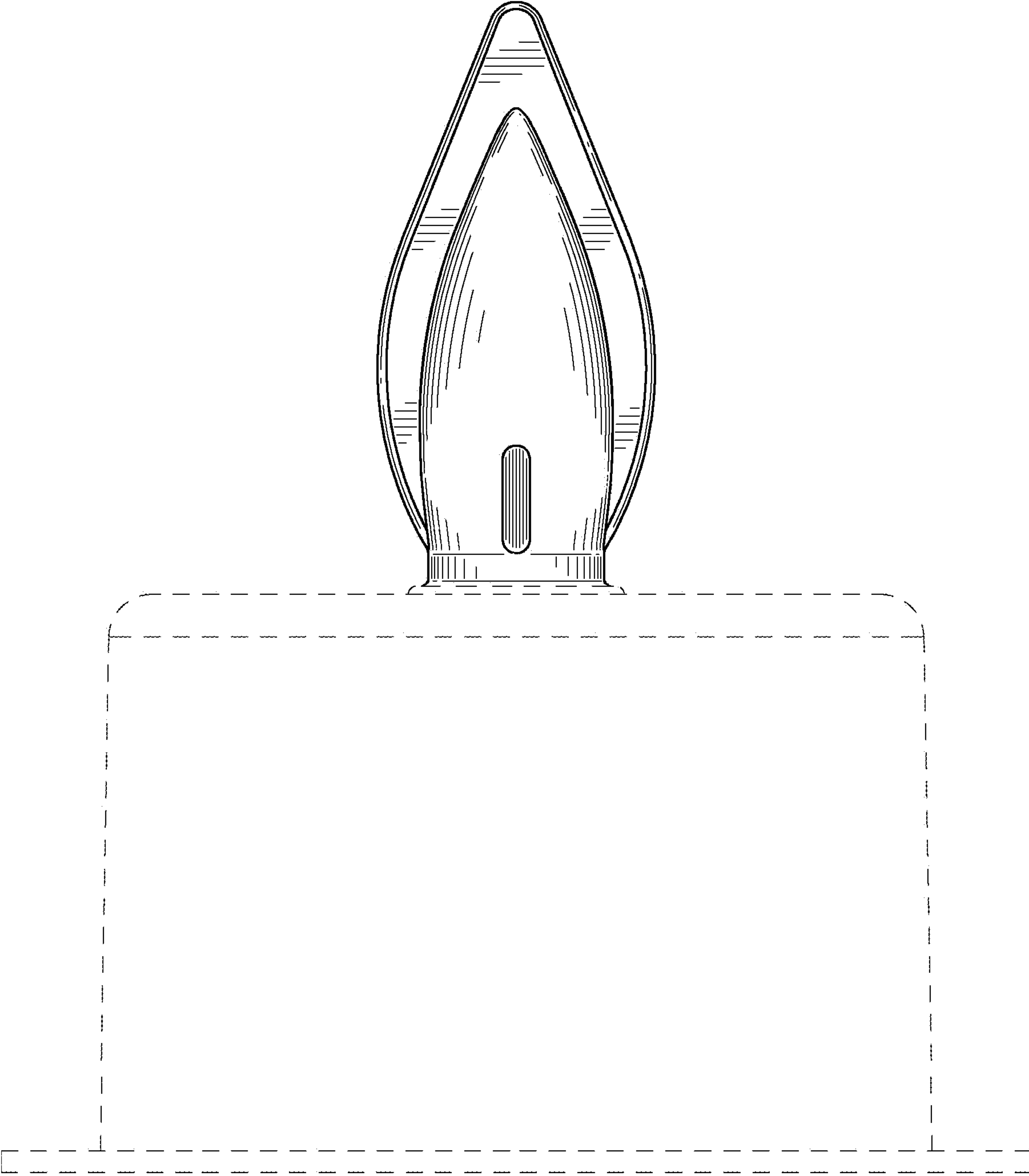


FIG. 3

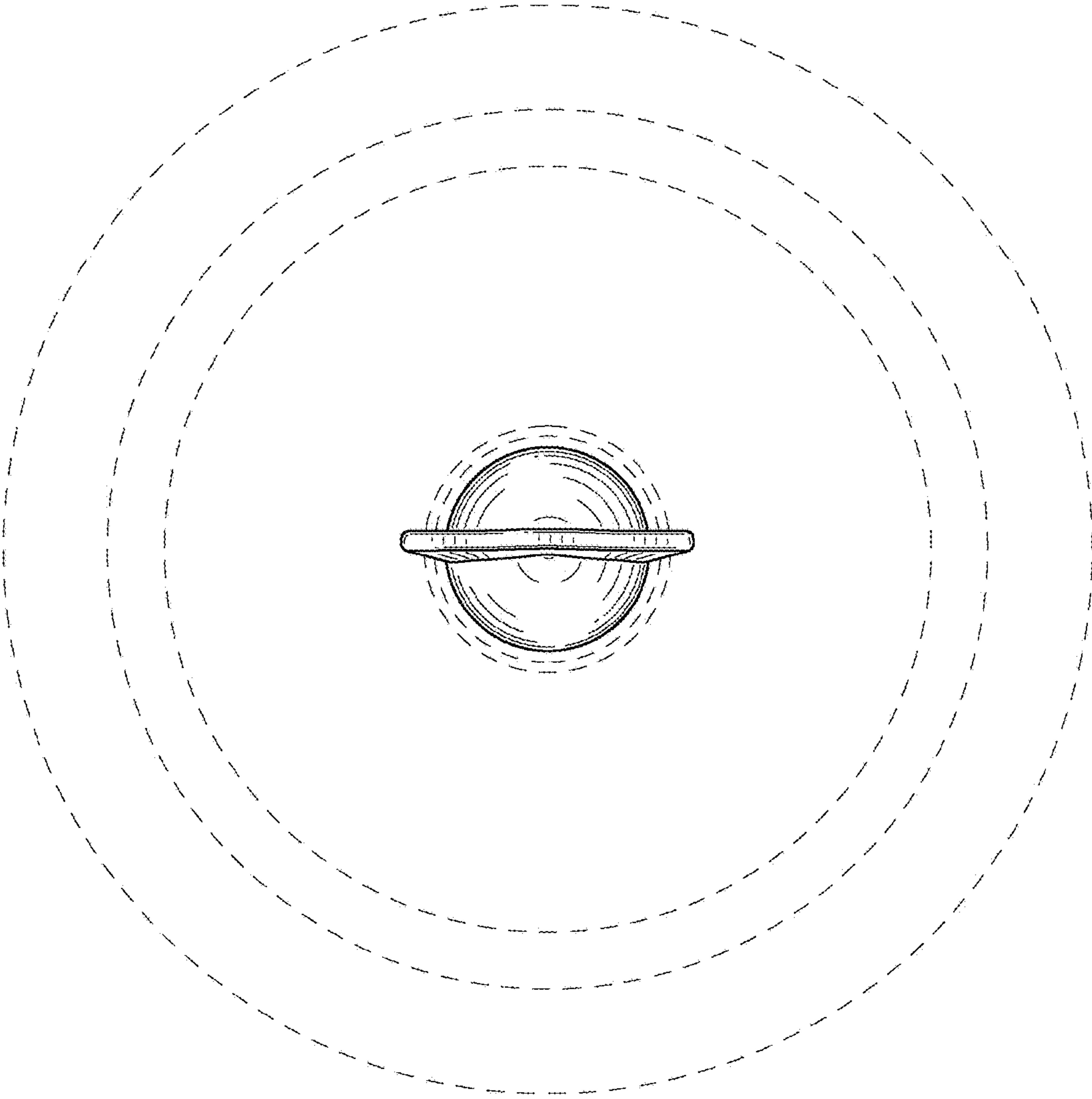


FIG. 4

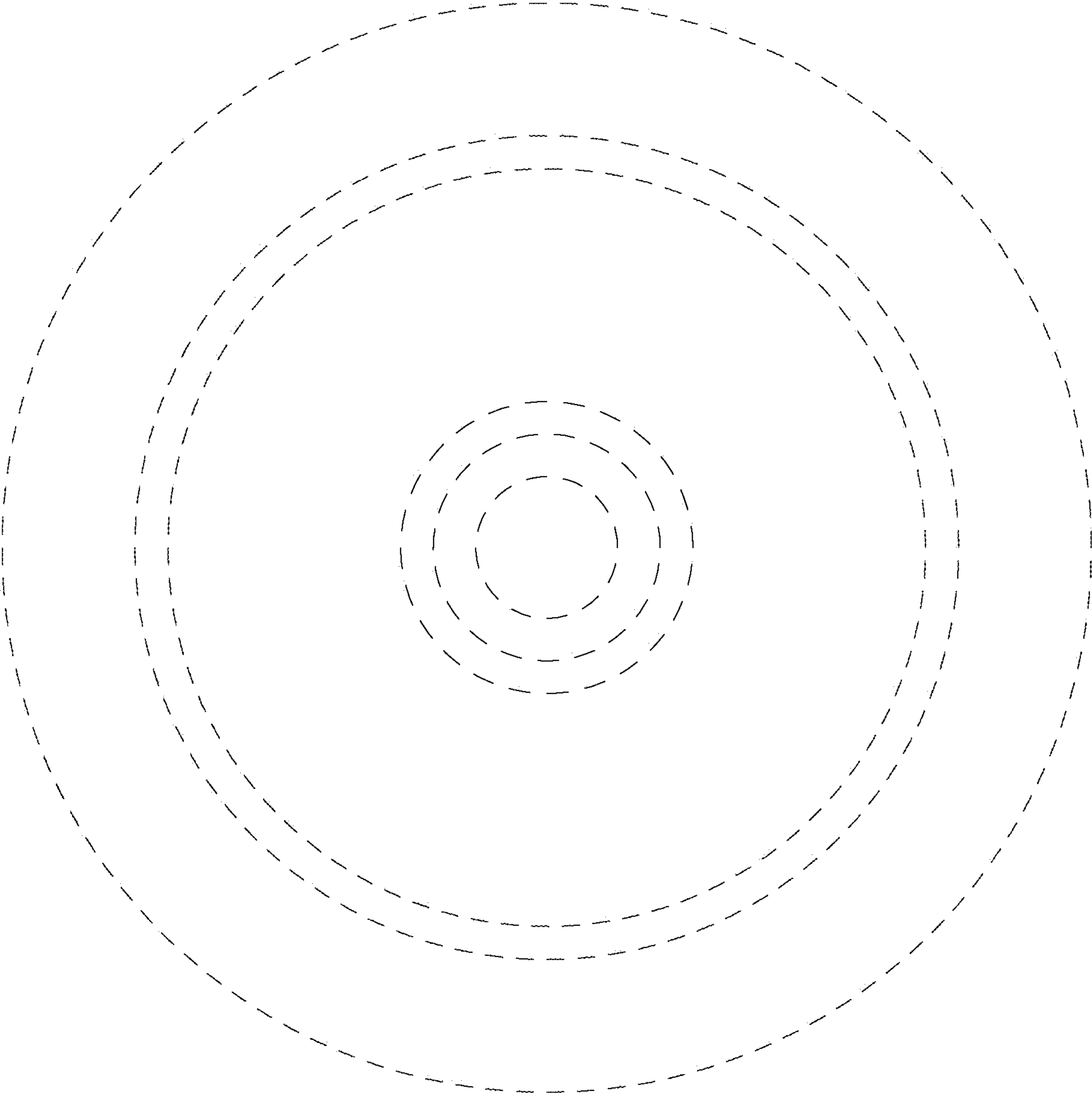


FIG. 5

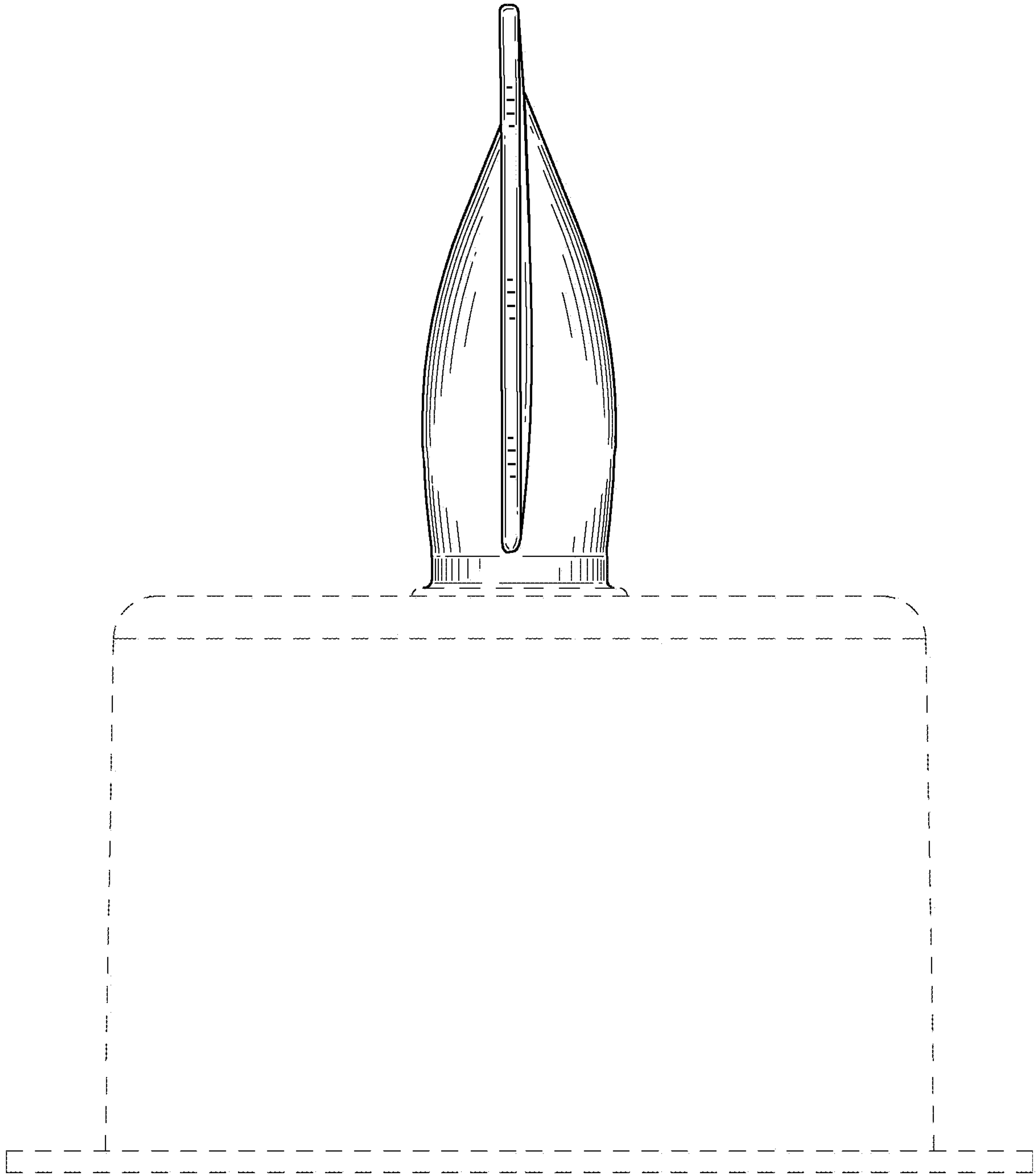


FIG. 6

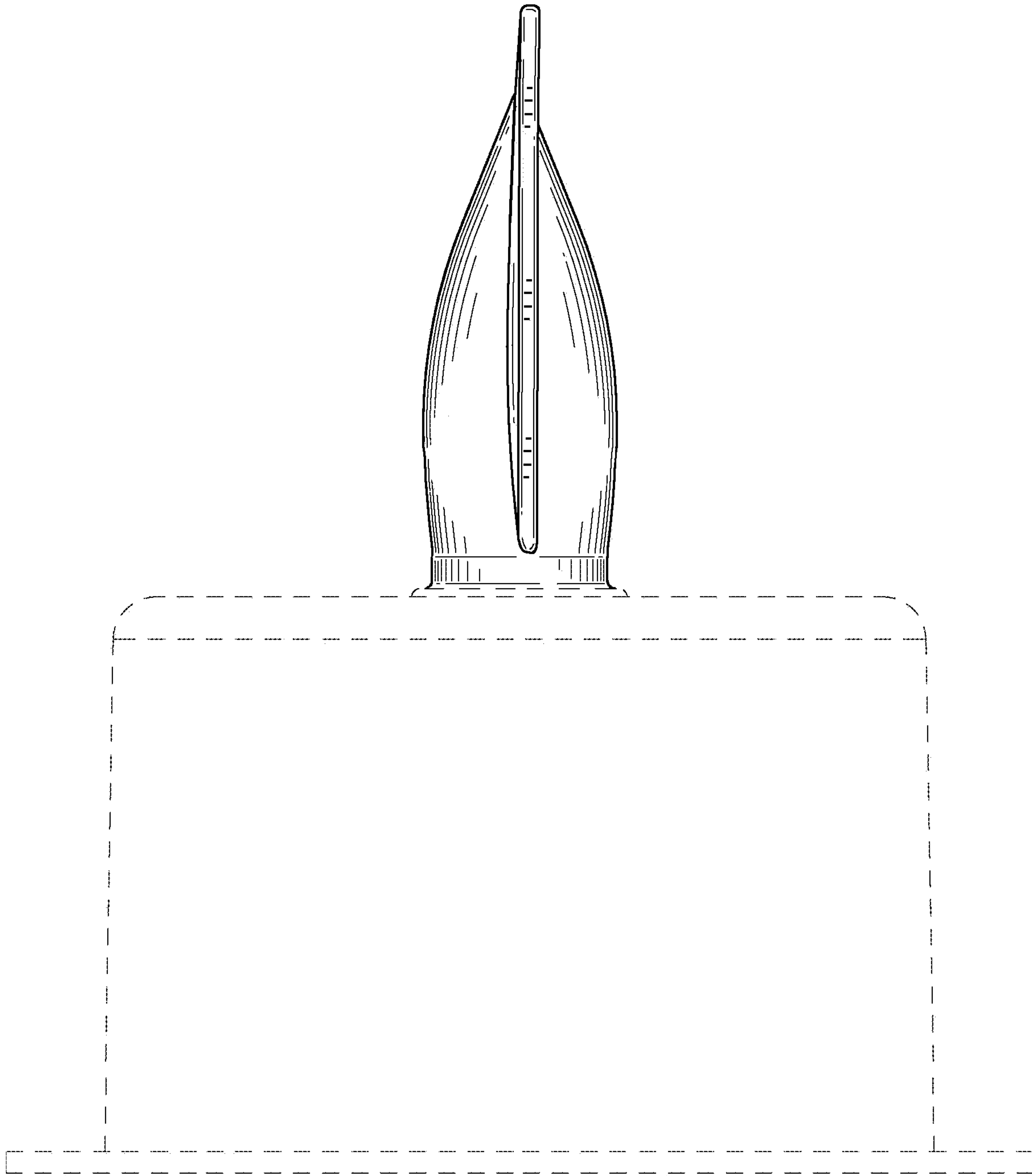


FIG. 7