



US00D923206S

(12) **United States Design Patent**  
**Zhu**

(10) **Patent No.:** **US D923,206 S**

(45) **Date of Patent:** **\*\* Jun. 22, 2021**

(54) **LED LIGHT**

(71) Applicant: **Ganzhou Shangjie Technology Co., Ltd.**, Ganzhou (CN)

(72) Inventor: **Jianjun Zhu**, Ganzhou (CN)

(73) Assignee: **Ganzhou Shangjie Technology Co., Ltd.**, Ganzhou (CN)

(\*\*) Term: **15 Years**

(21) Appl. No.: **29/751,704**

(22) Filed: **Sep. 23, 2020**

(51) **LOC (13) Cl.** ..... **26-04**

(52) **U.S. Cl.**  
USPC ..... **D26/1; D13/180**

(58) **Field of Classification Search**  
USPC ..... D26/1; D13/180  
CPC ..... H01L 27/15; H01L 27/56; H01L 25/167;  
H01L 31/02; H01L 33/00; H01L 33/04;  
H01L 33/08; H01L 33/10; H01L 33/20;  
H01L 33/38; H01L 33/42; H01L 33/483;  
H01L 33/486

See application file for complete search history.

(56) **References Cited**

**U.S. PATENT DOCUMENTS**

D590,522 S \* 4/2009 Tu ..... D26/1  
D624,884 S 10/2010 Lai et al.  
D704,358 S \* 5/2014 Joo ..... D26/1  
D715,461 S \* 10/2014 Chen ..... D26/1  
D730,548 S \* 5/2015 Elwell ..... D26/1  
D742,554 S \* 11/2015 Kanemaru ..... D26/1

D802,176 S \* 11/2017 Tan ..... D26/1  
D805,659 S \* 12/2017 Hochman ..... D26/1  
D808,546 S \* 1/2018 Pleso ..... D26/1  
D815,762 S \* 4/2018 Wang ..... D26/1  
D873,692 S 1/2020 Shen

\* cited by examiner

*Primary Examiner* — Marcus A Jackson

(74) *Attorney, Agent, or Firm* — Avant Law Group, LLC

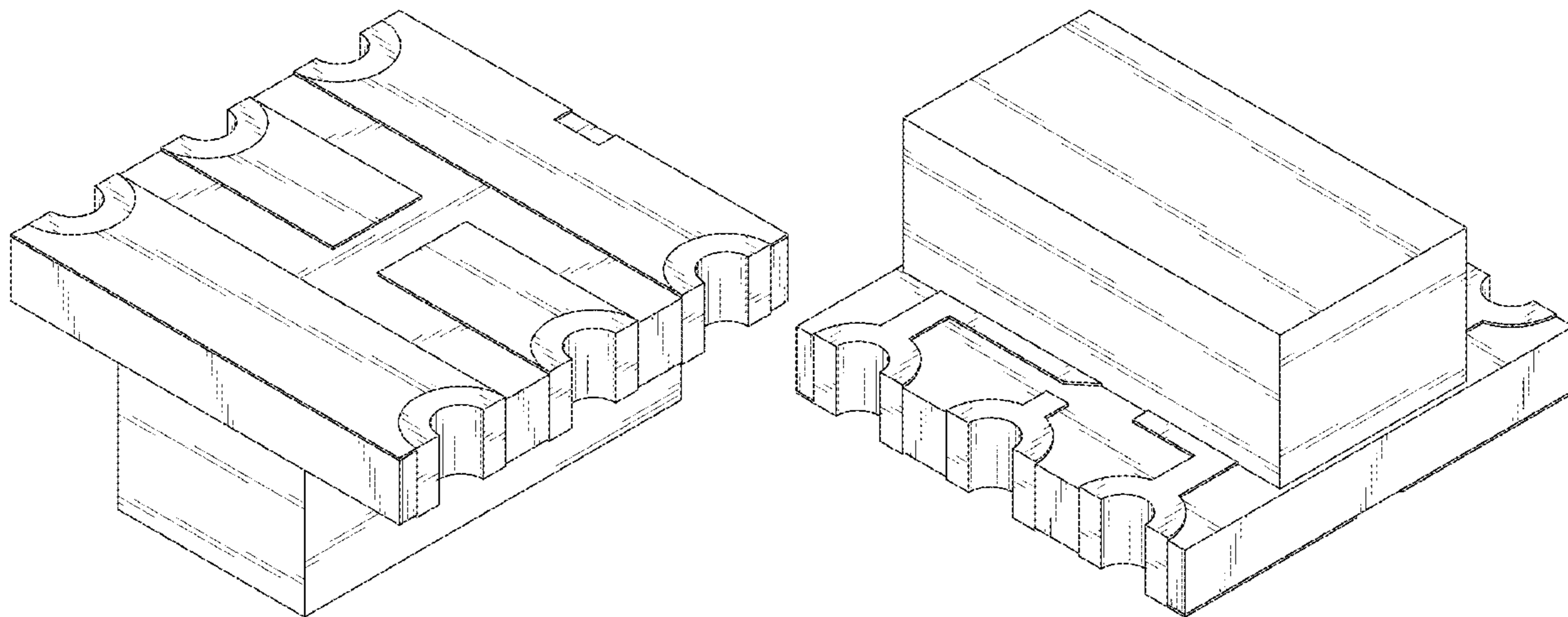
(57) **CLAIM**

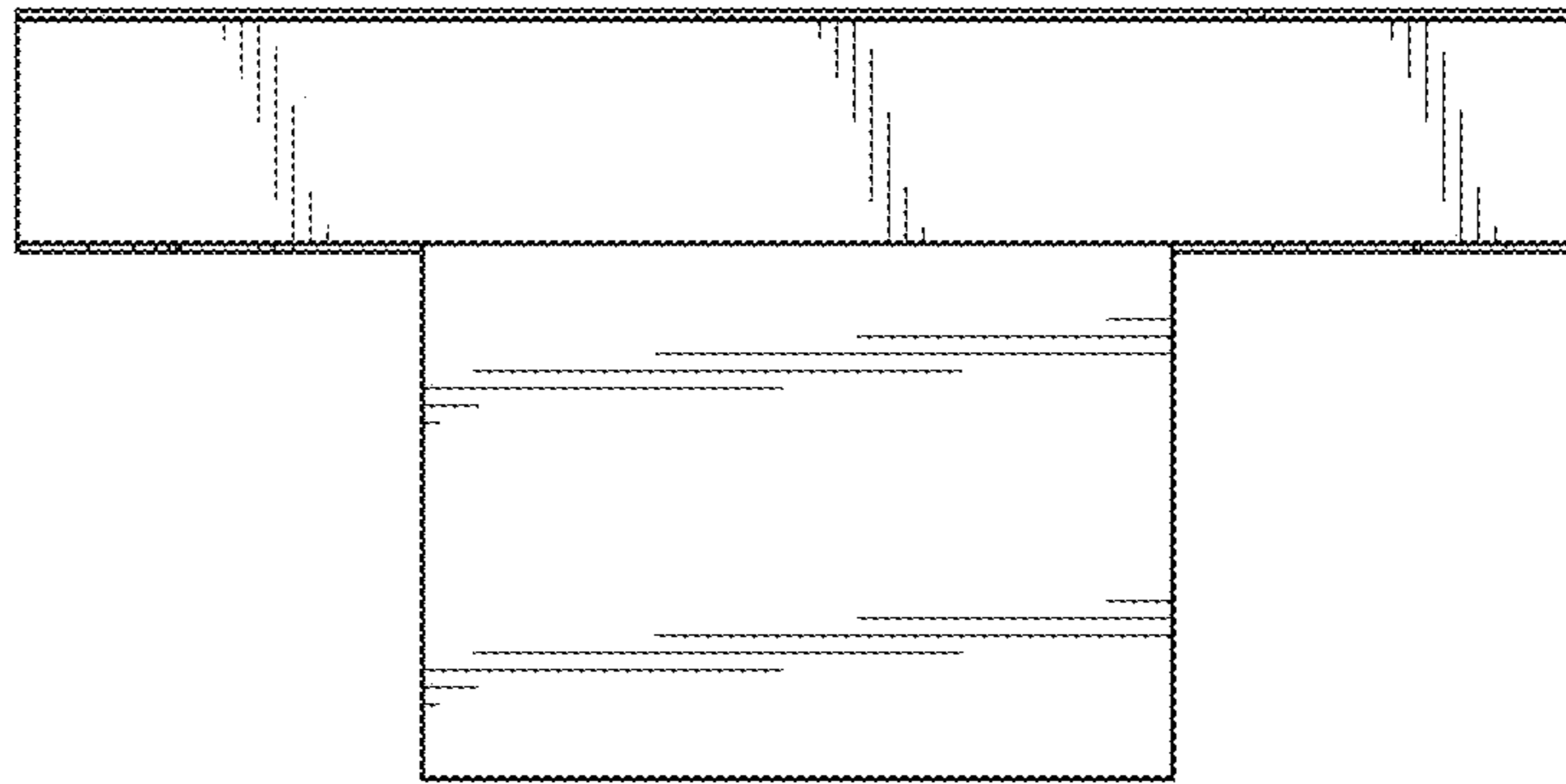
The ornamental design for a LED light, as shown and described.

**DESCRIPTION**

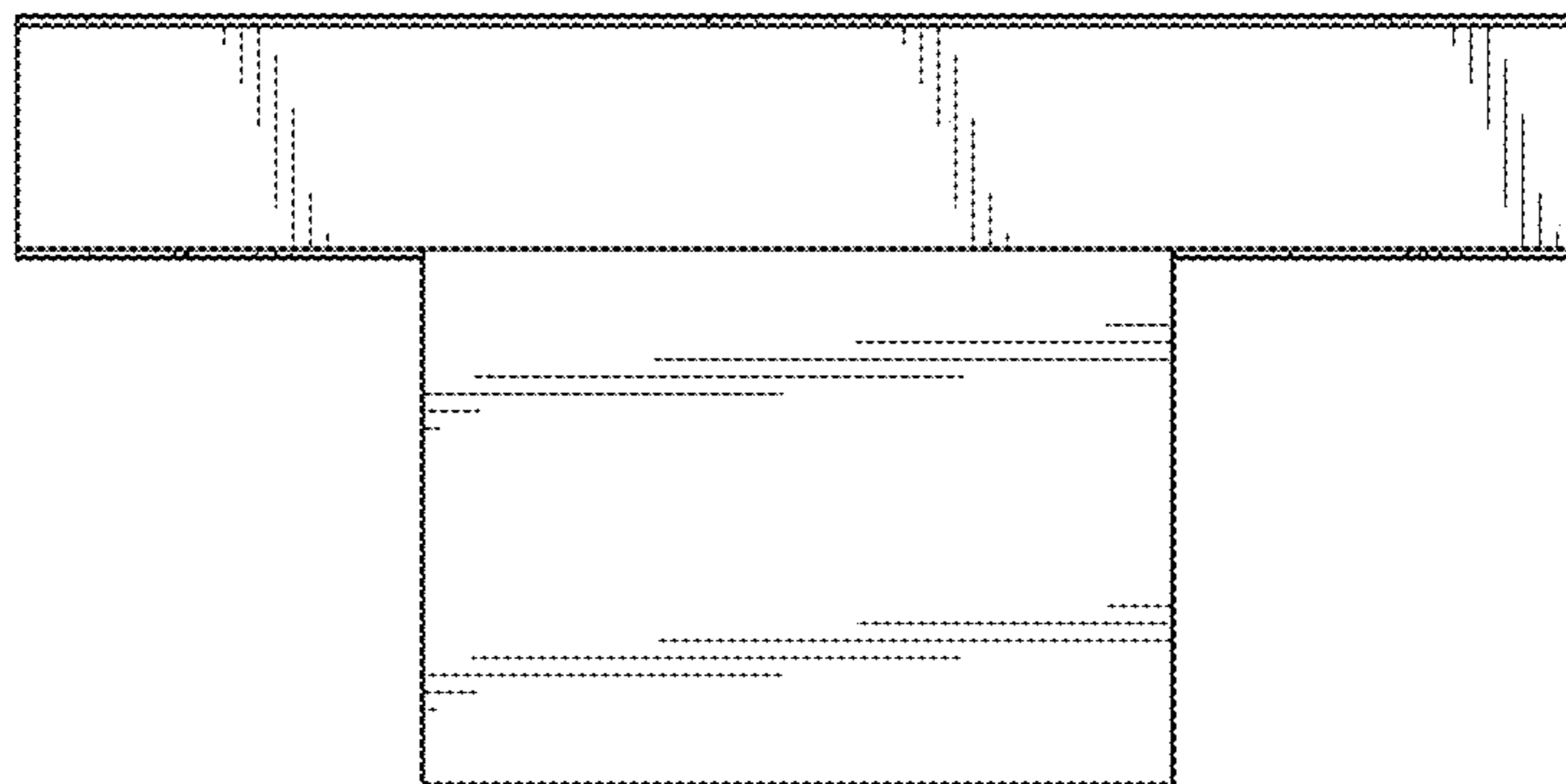
FIG. 1 is a front elevation view of a first embodiment of a LED light, showing my new design; FIG. 2 is a rear elevation view thereof; FIG. 3 is a right elevation view thereof; FIG. 4 is a left elevation view thereof; FIG. 5 is a top plan view thereof; FIG. 6 is a bottom plan view thereof; FIG. 7 is a top perspective view thereof; FIG. 8 is a bottom perspective view thereof; FIG. 9 is a front elevation view of a second embodiment of the LED light; FIG. 10 is a rear elevation view thereof; FIG. 11 is a right elevation view thereof; FIG. 12 is a left elevation view thereof; FIG. 13 is a top plan view thereof; FIG. 14 is a bottom plan view thereof; FIG. 15 is a top perspective view thereof; and, FIG. 16 is a bottom perspective view thereof.

**1 Claim, 10 Drawing Sheets**

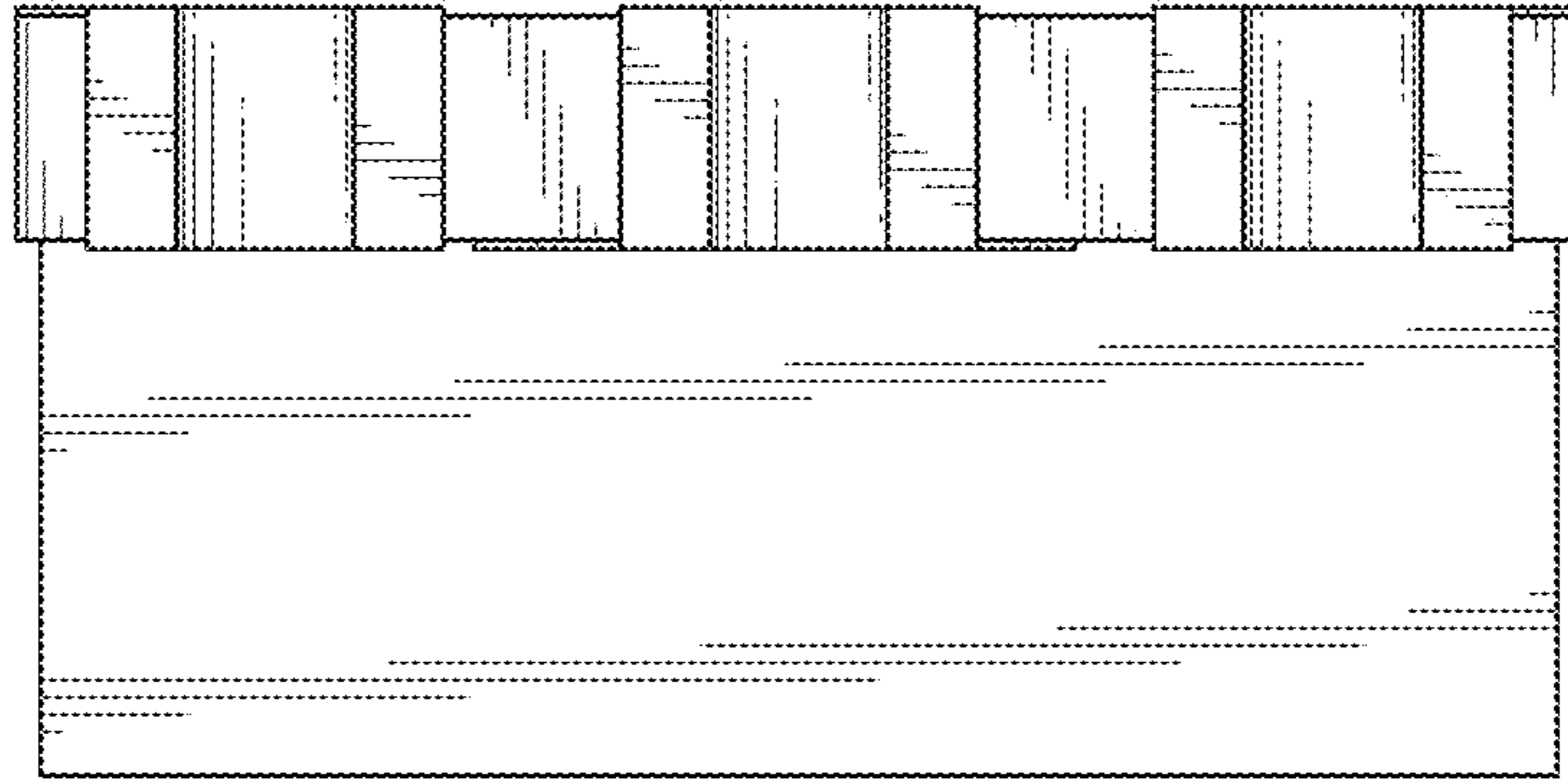




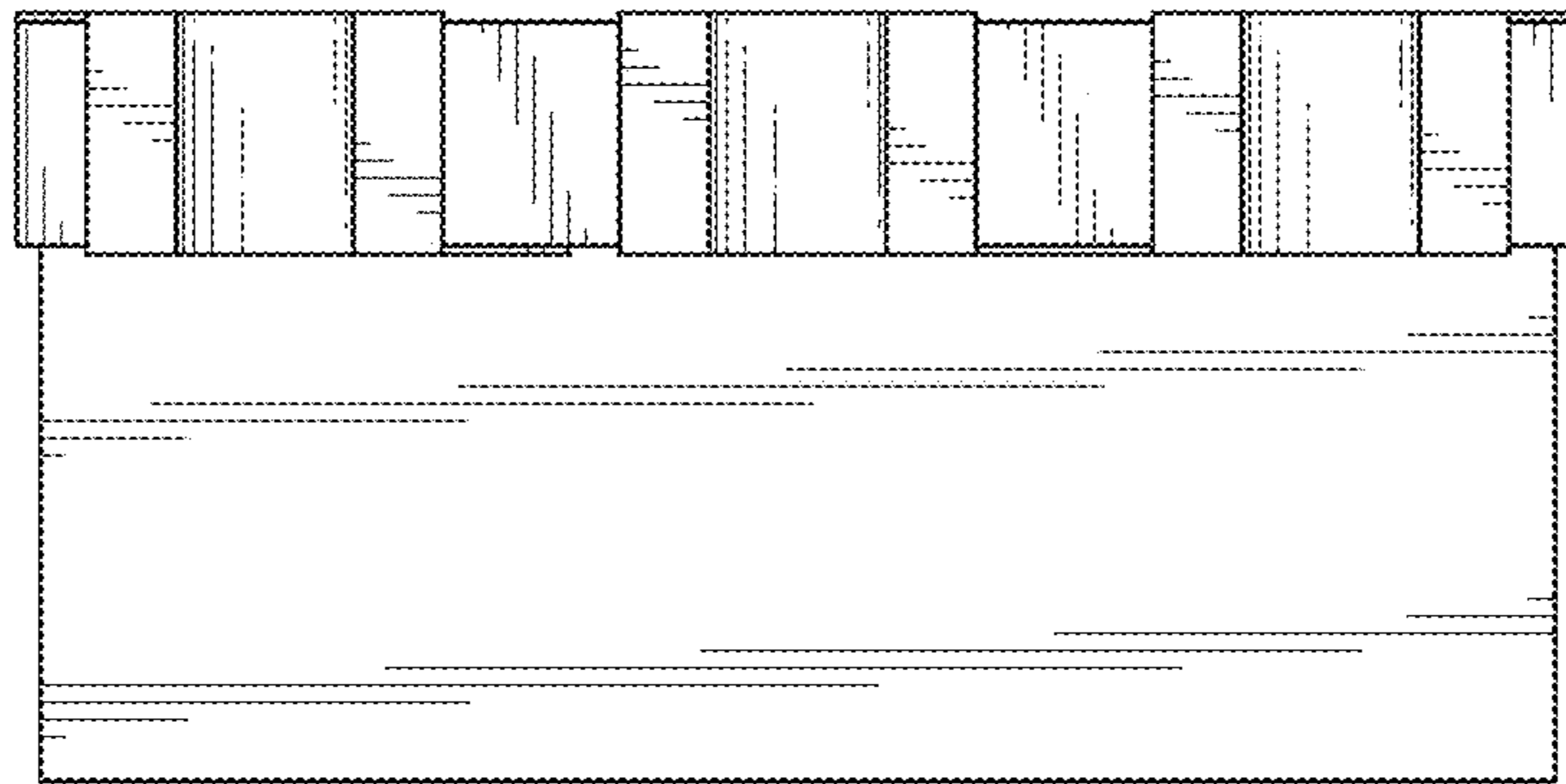
*FIG. 1*



*FIG. 2*



*FIG. 3*



*FIG. 4*

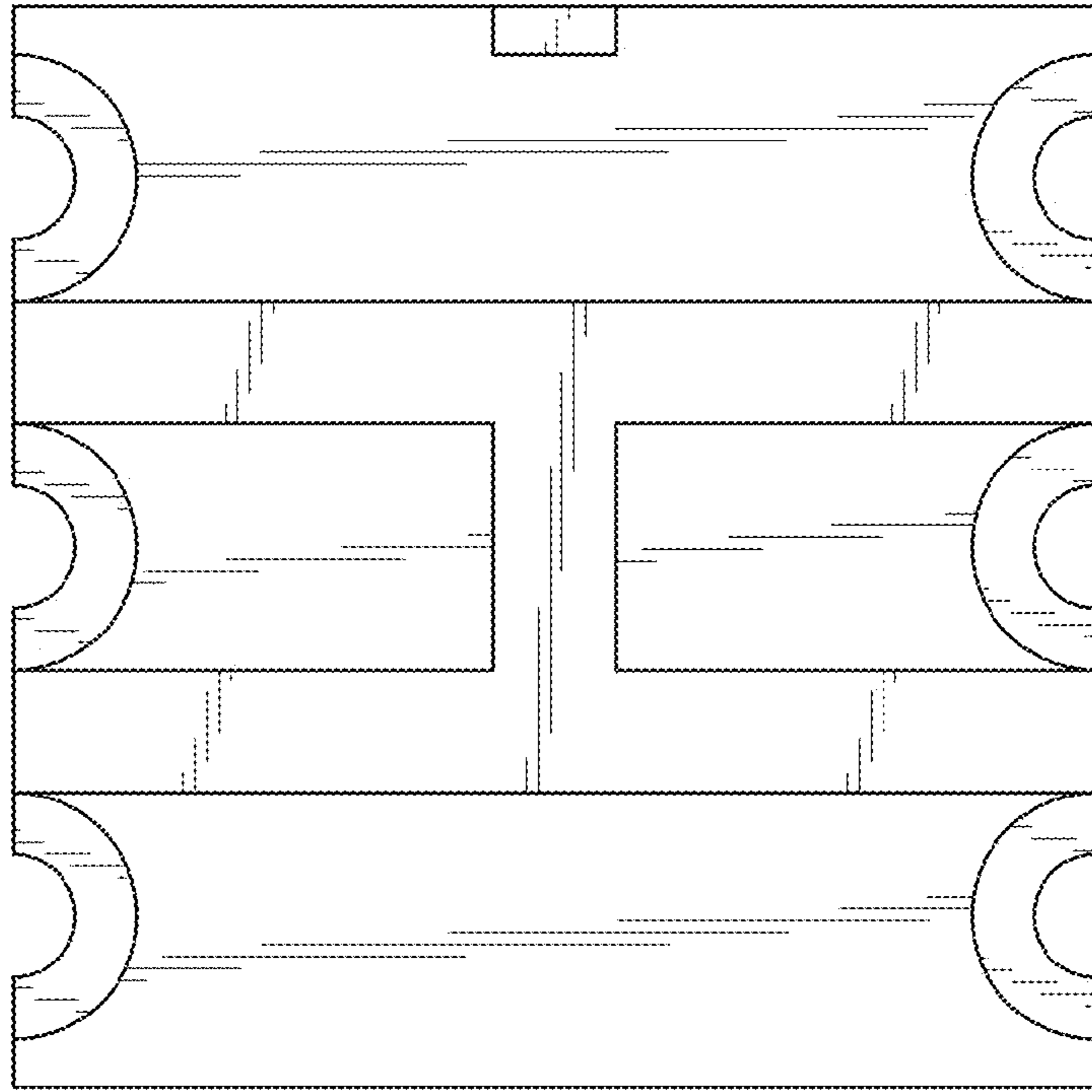


FIG. 5

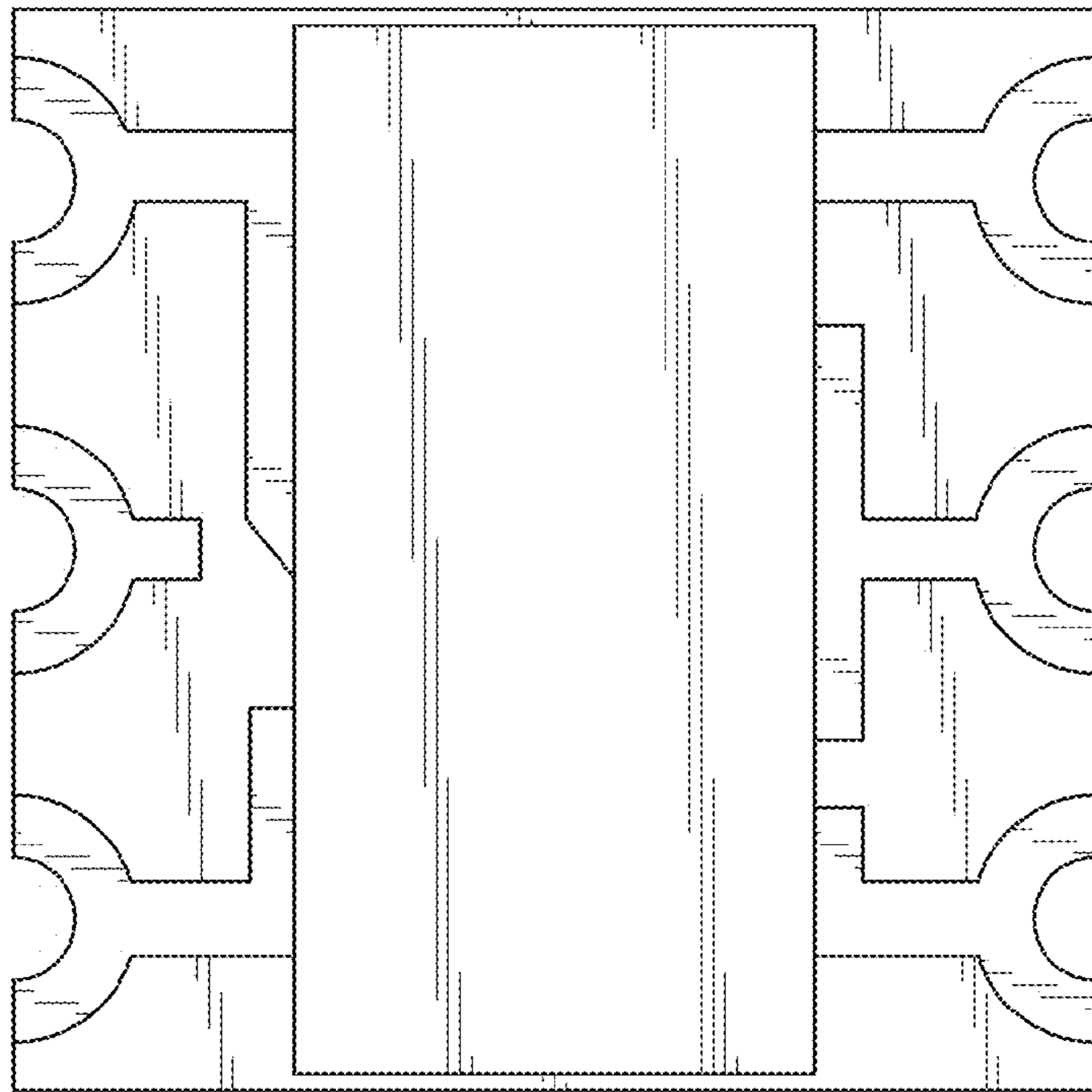
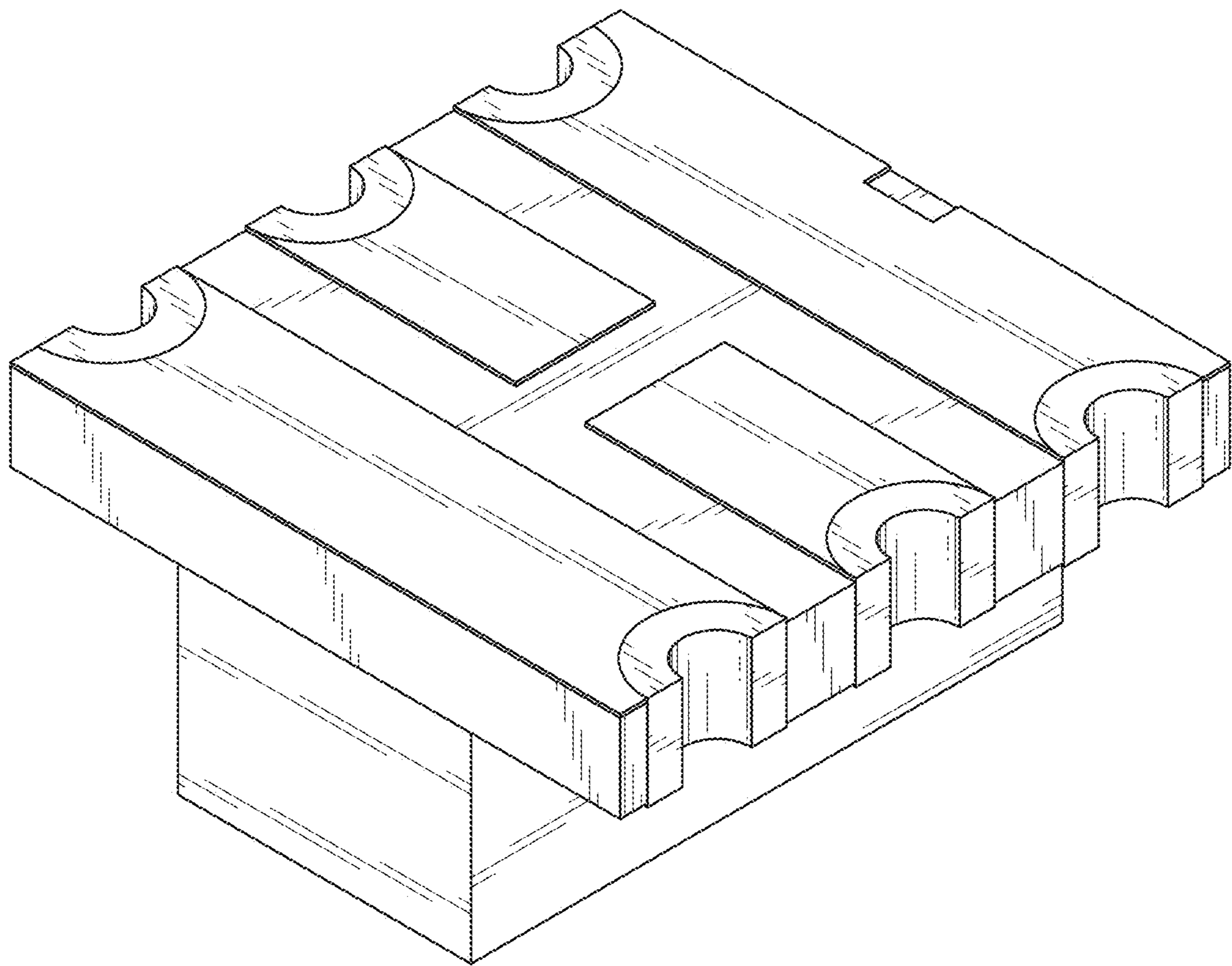
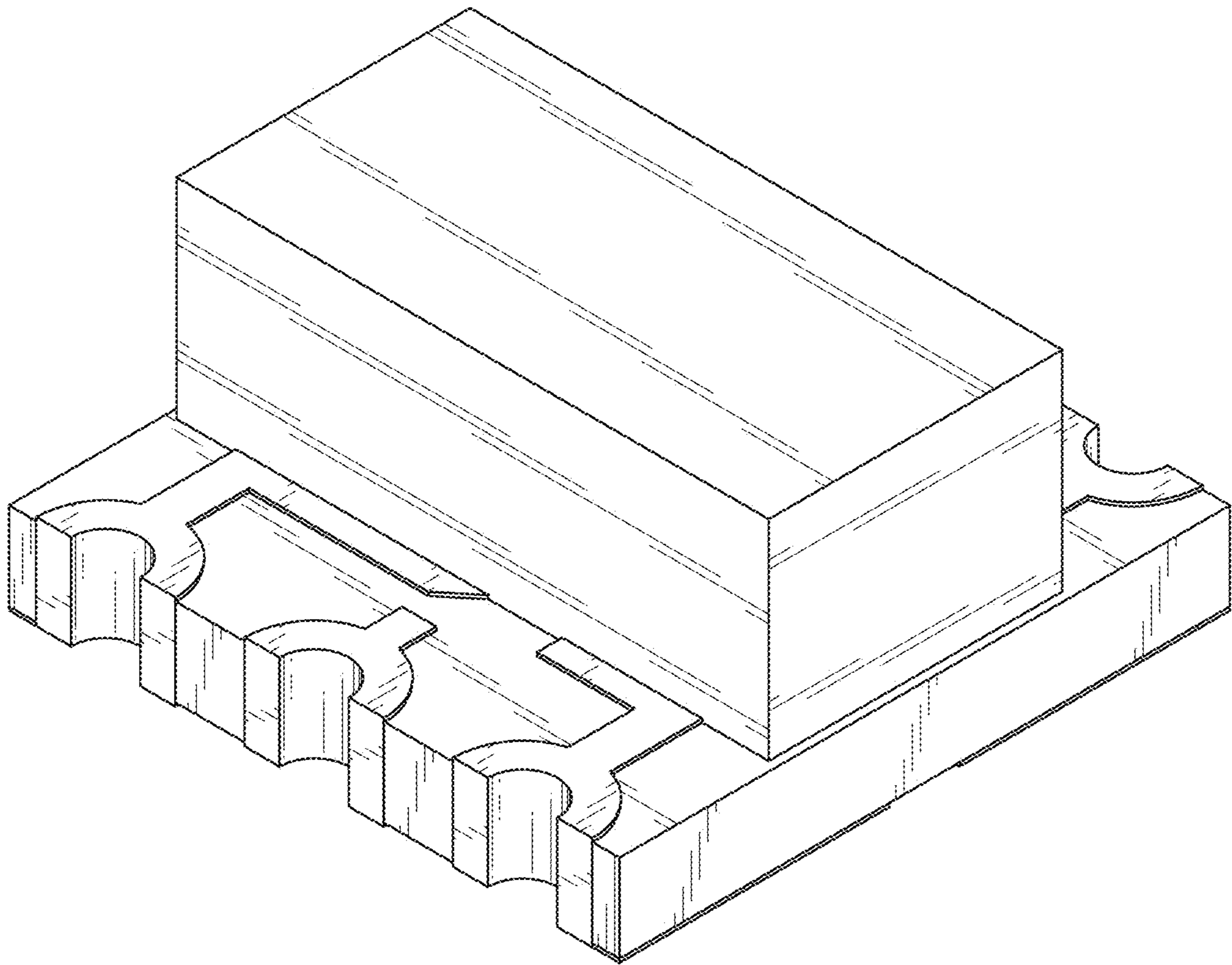


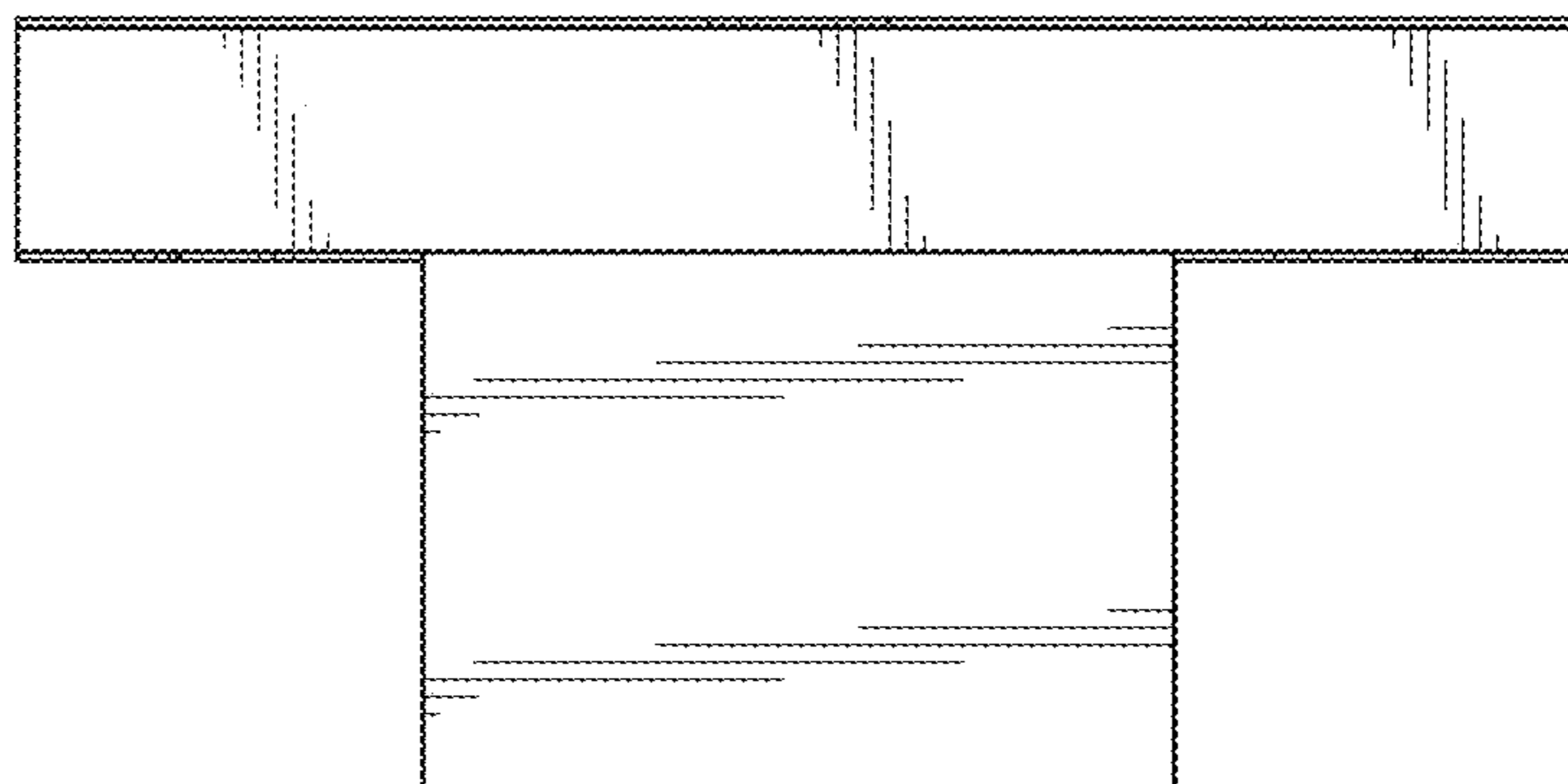
FIG. 6



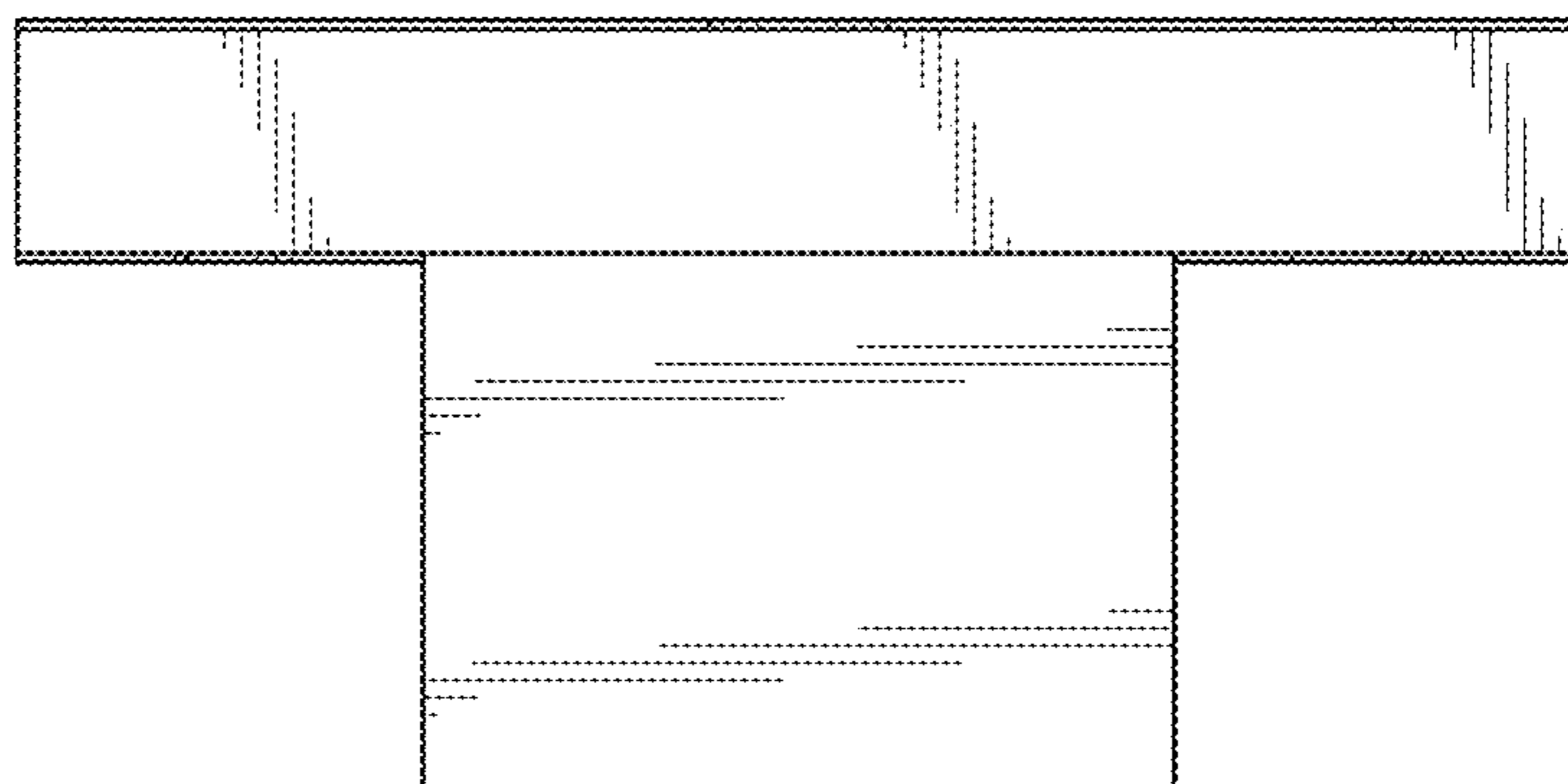
*FIG. 7*



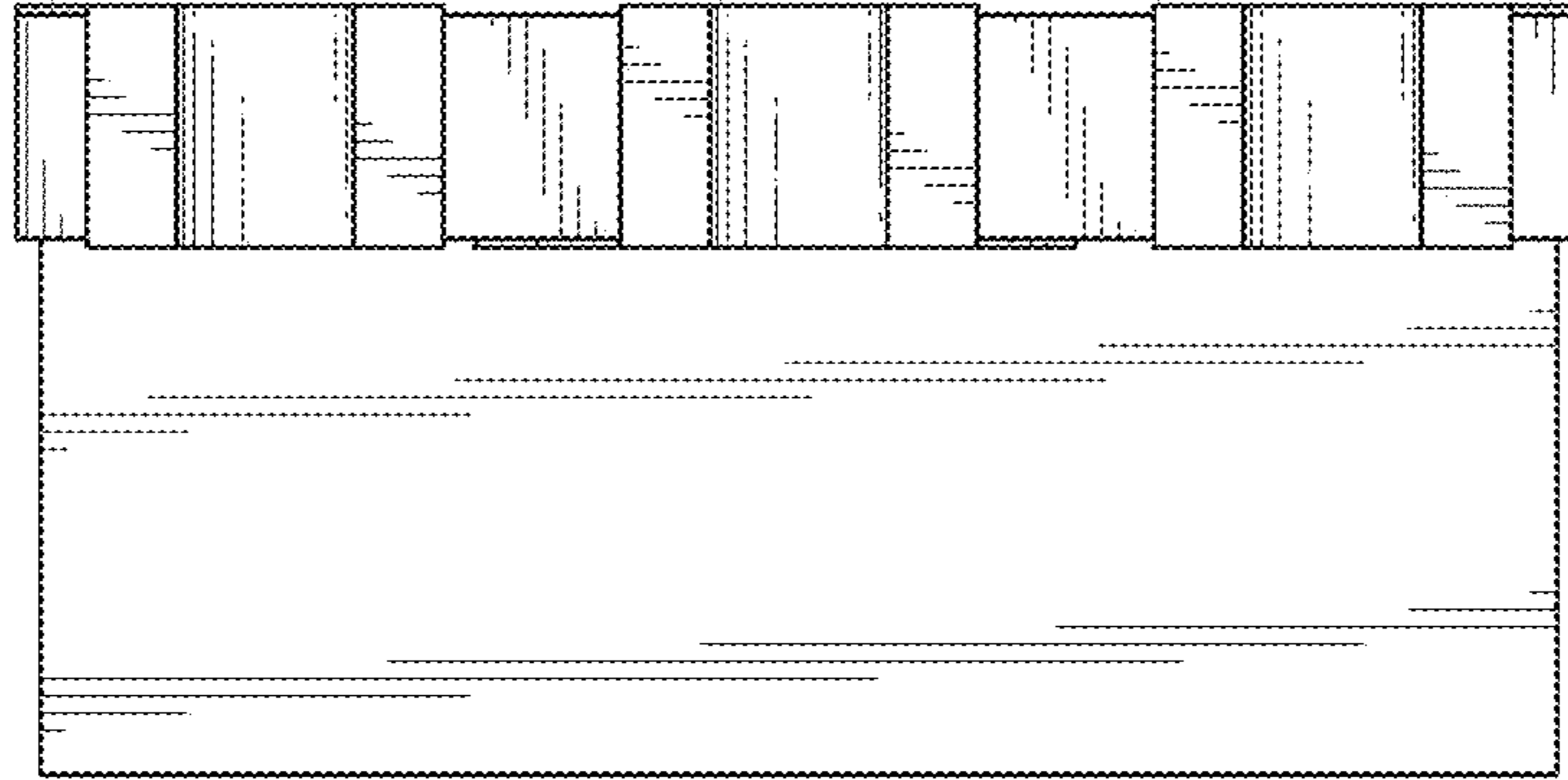
*FIG. 8*



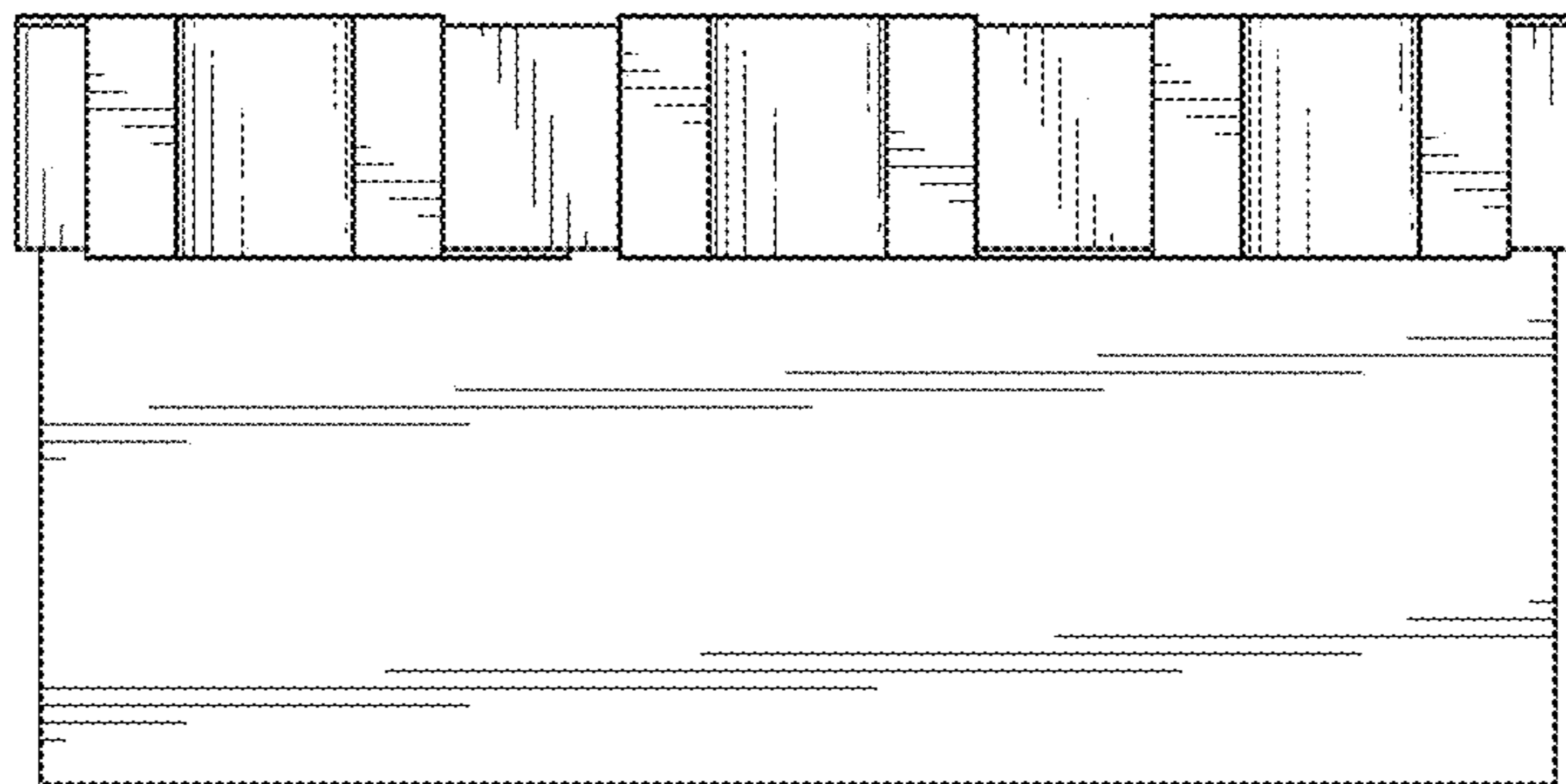
*FIG. 9*



*FIG. 10*

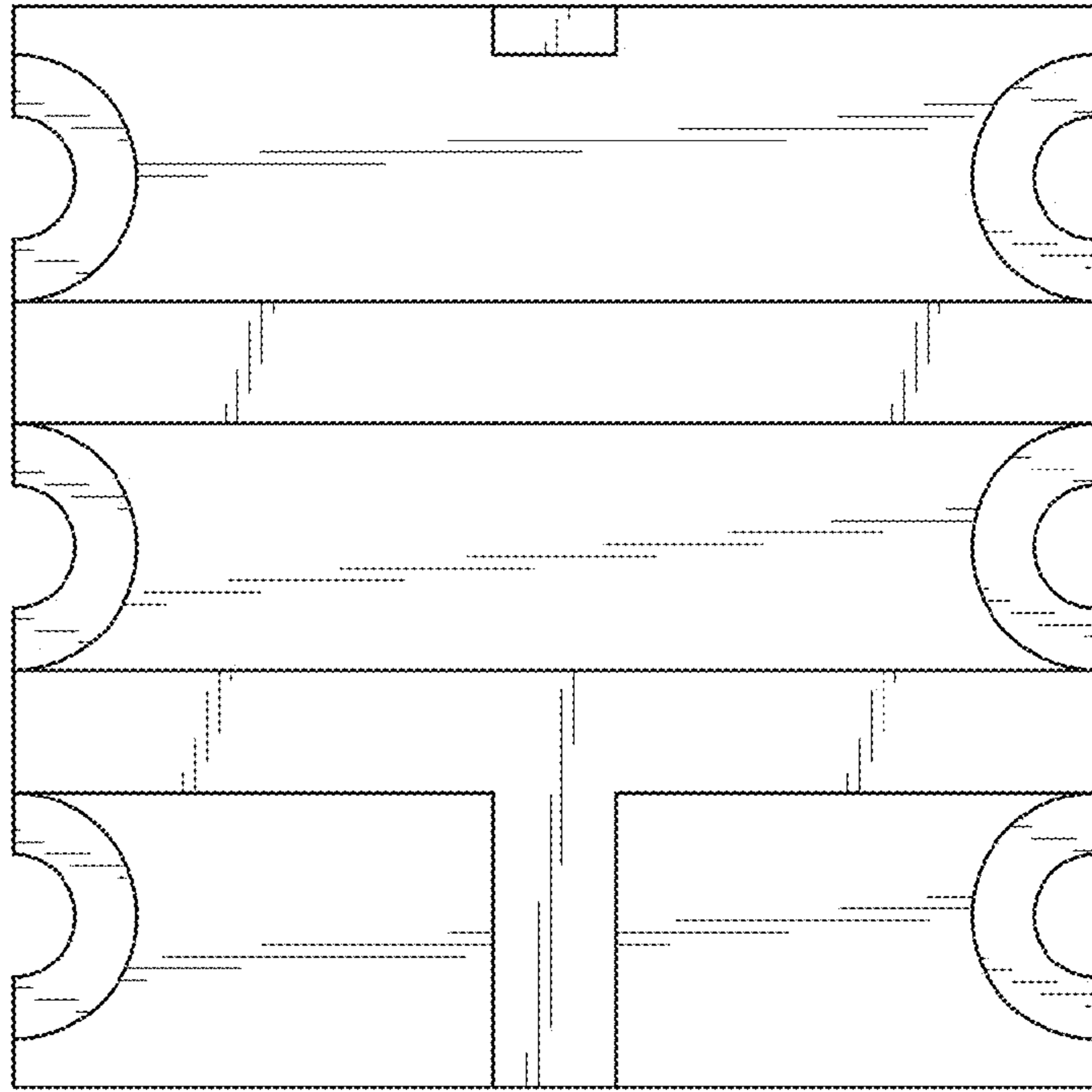


*FIG. 11*

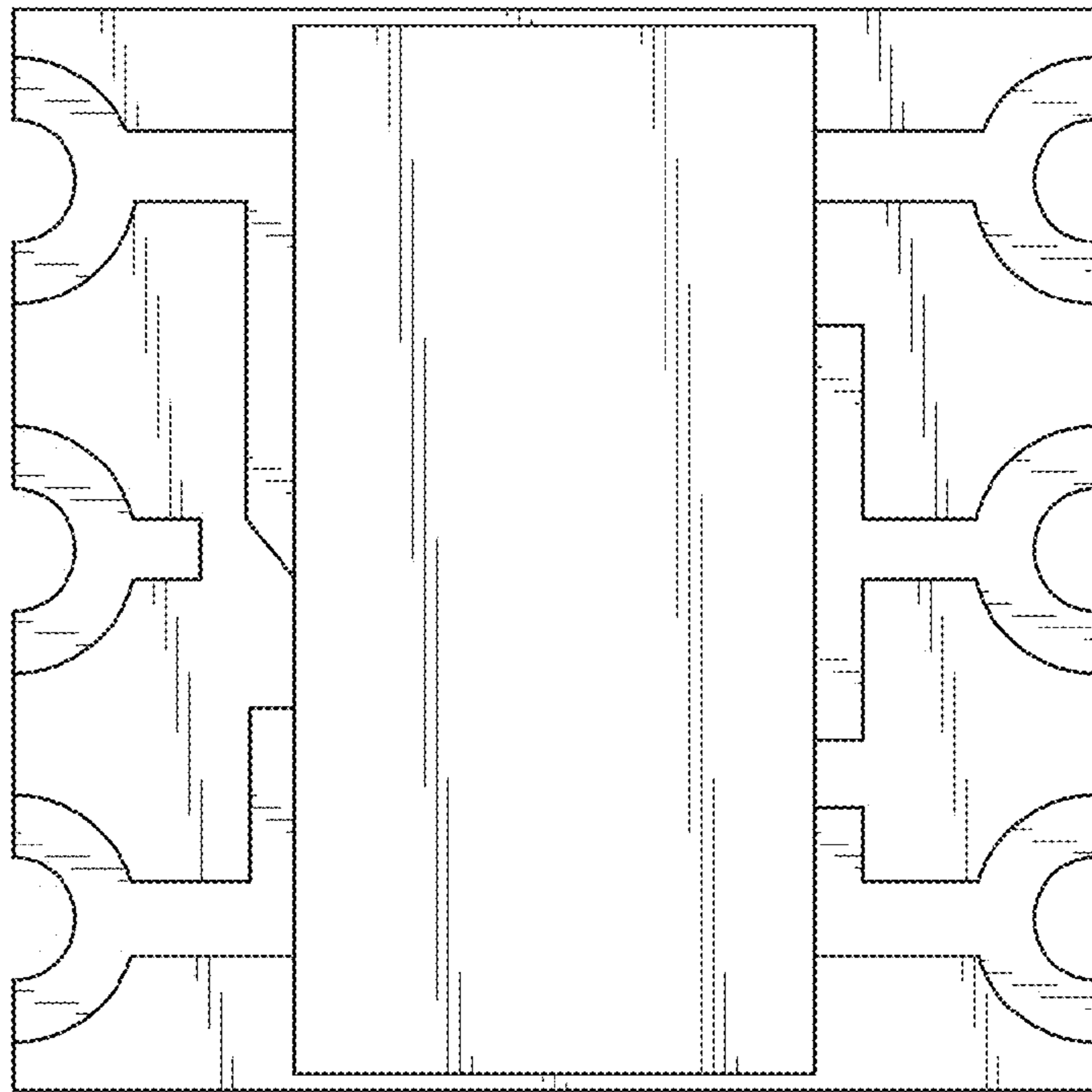


*FIG. 12*





*FIG. 13*



*FIG. 14*

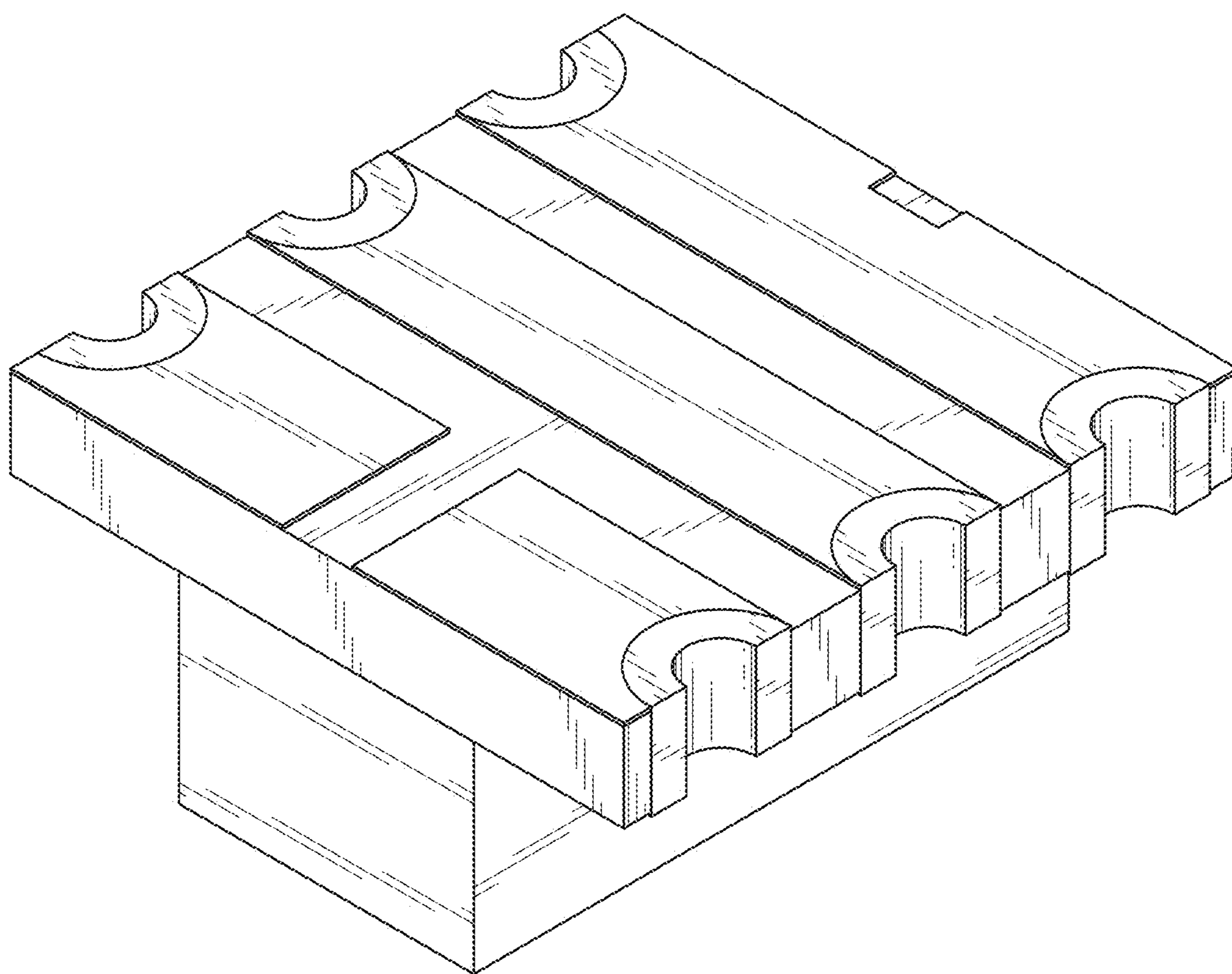


FIG. 15

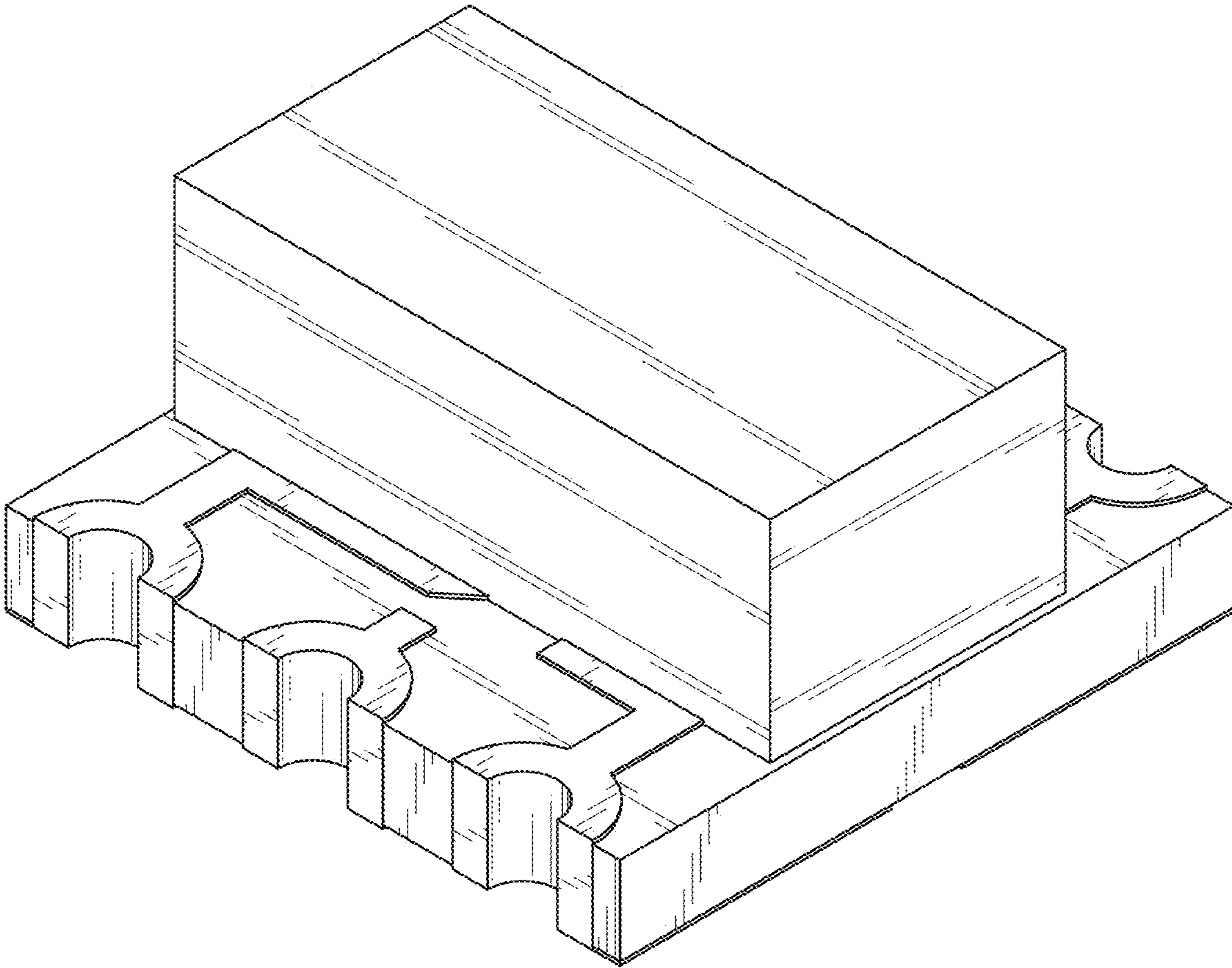


FIG. 16