



US00D923203S

(12) **United States Design Patent** (10) **Patent No.:** **US D923,203 S**
Muther (45) **Date of Patent:** **** Jun. 22, 2021**

(54) **PROFILE SECTION FOR MOUNTING EXTRUSION**

1/58; E04B 1/5806; E04B 2001/2466;
E04B 2001/2481; E04C 2/08

See application file for complete search history.

(71) Applicant: **Aerocompact GmbH**, Satteins (AT)

(56) **References Cited**

(72) Inventor: **Mathias Muther**, Satteins (AT)

U.S. PATENT DOCUMENTS

(73) Assignee: **AEROCOMPACT GMBH**, Satteins (AT)

D489,465	S	*	5/2004	Allsopp	D25/119
D511,013	S	*	10/2005	Bullock, Jr.	D25/119
D711,022	S	*	8/2014	Singh	D25/119
D742,540	S	*	11/2015	Singh	D25/119
D767,382	S	*	9/2016	Libreiro	D8/382
D781,459	S	*	3/2017	Krause	D25/119
D787,091	S	*	5/2017	Singh	D25/119
D790,078	S	*	6/2017	Singh	D25/119
D834,729	S	*	11/2018	Lee	D25/119
D835,300	S	*	12/2018	Barrios	D25/119
D841,836	S	*	2/2019	Hohwart	E05F 15/641
						D25/119
D859,140	S	*	9/2019	Kovacs	D8/499
D872,884	S	*	1/2020	Carter	D25/119
D882,122	S	*	4/2020	Fisher	D25/119
D897,562	S	*	9/2020	Helms	D25/119
D898,951	S	*	10/2020	Helms	D25/125

(**) Term: **15 Years**

(21) Appl. No.: **35/508,376**

(22) Filed: **Jan. 13, 2020**

(Continued)

(80) **Hague Agreement Data**

Int. Filing Date: **Dec. 11, 2019**

Int. Reg. No.: **DM/205293**

Int. Reg. Date: **Jan. 13, 2020**

Int. Reg. Pub. Date: **Jan. 24, 2020**

OTHER PUBLICATIONS

(30) **Foreign Application Priority Data**

Sep. 10, 2019 (EM) 006852315

(51) **LOC (13) Cl.** **25-01**

(52) **U.S. Cl.**
USPC **D25/119**

(58) **Field of Classification Search**
USPC D25/55, 60, 61, 119, 120, 121, 122, 123,
D25/124, 125, 126, 127, 128, 129, 130,
D25/131, 132, 133, 134, 135, 136, 164,
D25/199; D8/349, 354, 373, 300, 301,
D8/363, 366, 377

CPC E04B 2/00; E04B 2/58; E04B 2/60; E04B
2/72; E04B 2/721; E04B 2/723; E04B
2/74; E04B 2002/725; E04B 2002/726;
E04B 2002/728; E04B 2002/7461; E04B
2002/7462; E04B 2002/7464; E04B
2002/7487; E04B 1/00; E04B 1/18; E04B
1/24; E04B 1/2403; E04B 1/38; E04B

Klus Giza Anodized Extrusion <https://www.flexfireleds.com/klus/klus-giza-anodized-extrusion-kl-b5556anoda/> Oct. 16, 2018 (Year: 2018).*

Primary Examiner — Samantha Q Lawrence
(74) *Attorney, Agent, or Firm* — King & Schickli, PLLC

(57) **CLAIM**

The ornamental design for a profile section for mounting extrusion, as shown and described.

DESCRIPTION

1. Profile section for mounting extrusion
Figure 1.1 is a front view of a profile section for mounting extrusion;

(Continued)

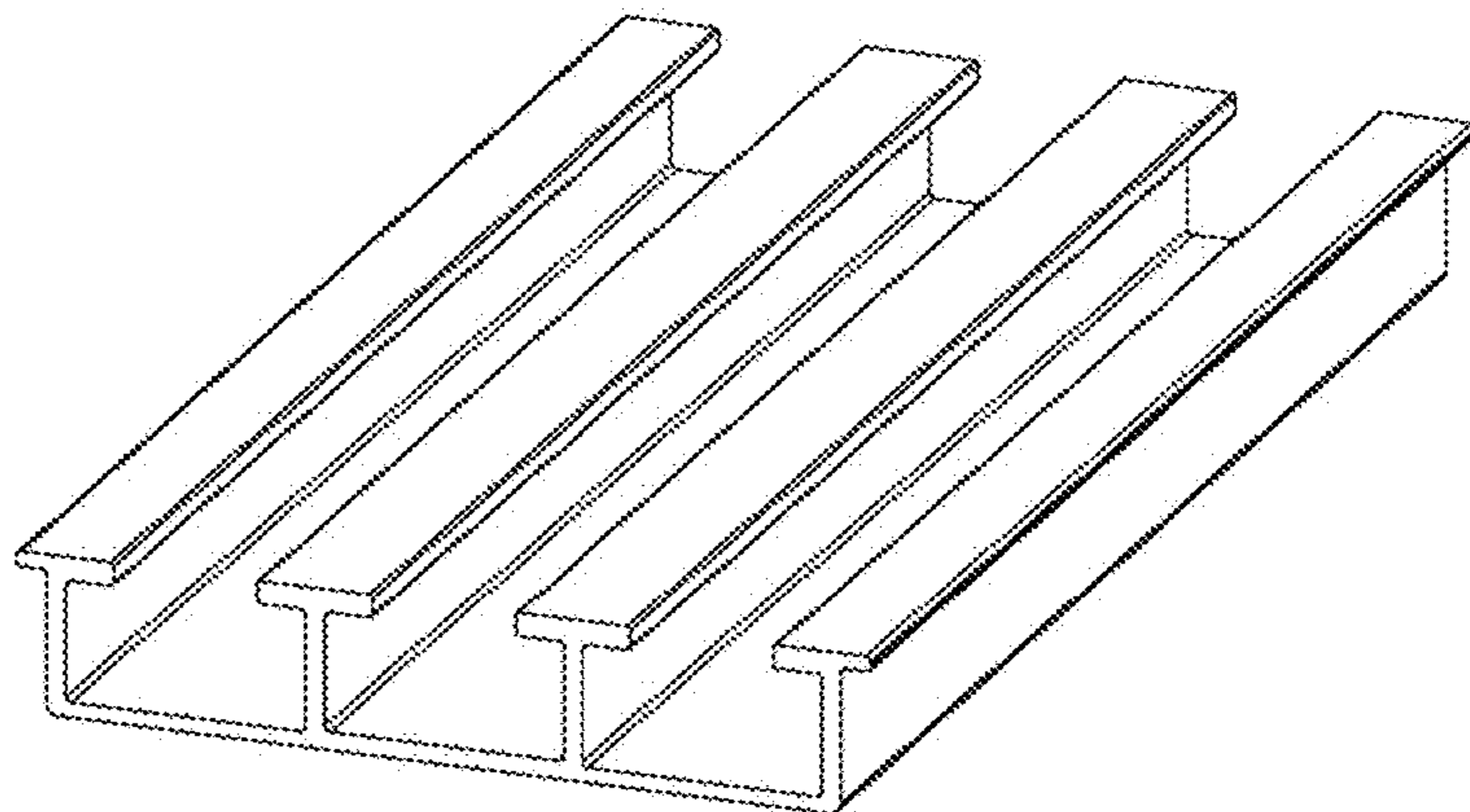
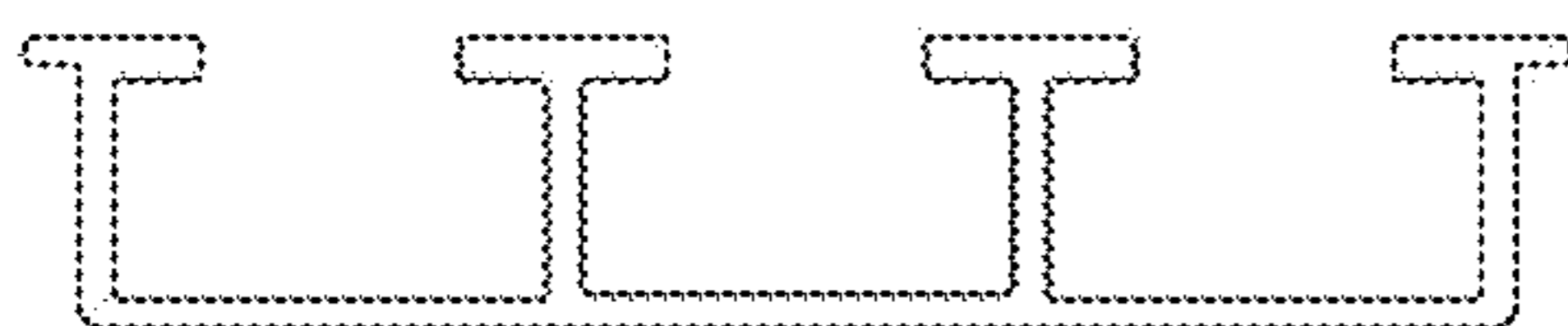


Figure 1.2 is a top view thereof; and
Figure 1.3 is a perspective view thereof.

1 Claim, 3 Drawing Sheets

(56)

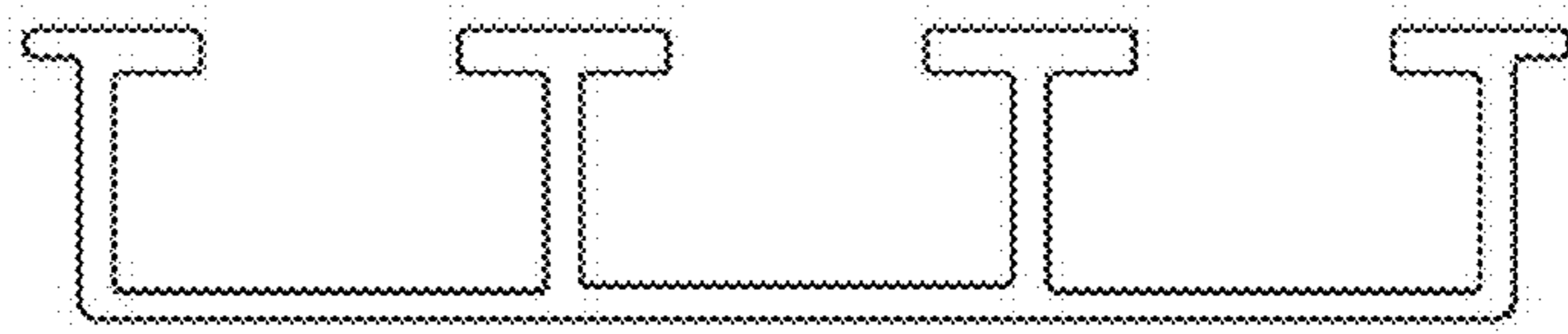
References Cited

U.S. PATENT DOCUMENTS

D899,632	S	*	10/2020	Roberts	D25/119
D901,039	S	*	11/2020	Helms	D25/119
D901,040	S	*	11/2020	Helms	D25/119
2008/0120937	A1	*	5/2008	Enevoldson	E04B 2/721 52/588.1
2008/0276559	A1	*	11/2008	Messenger	B29C 44/12 52/506.01
2009/0056255	A1	*	3/2009	Barton	E04C 2/22 52/309.7
2013/0326988	A1	*	12/2013	Bickmore	E04F 13/0866 52/483.1

* cited by examiner

1.1



1.3

