



US00D923202S

(12) **United States Design Patent** (10) **Patent No.:** **US D923,202 S**  
**Estes** (45) **Date of Patent:** **\*\* Jun. 22, 2021**

(54) **STAIR TREAD**

(71) Applicant: **MASTER’S CRAFT CORPORATION**, West Plains, MO (US)

(72) Inventor: **John Estes**, West Plains, MO (US)

(73) Assignee: **MASTER’S CRAFT CORPORATION**, West Plains, MO (US)

(\*\*) Term: **15 Years**

(21) Appl. No.: **29/726,116**

(22) Filed: **Feb. 28, 2020**

(51) **LOC (13) Cl.** ..... **25-04**

(52) **U.S. Cl.**  
USPC ..... **D25/69**

(58) **Field of Classification Search**  
USPC ..... D25/62, 68, 69, 119–125; 52/182, 177, 52/179, 188, 190, 741.2; 280/169; D21/484

CPC ..... E04F 11/16; E04F 11/163; E04F 11/108; E04F 11/112; E04F 11/104; E04F 11/09  
See application file for complete search history.

(56) **References Cited**

**U.S. PATENT DOCUMENTS**

7,661,241	B2 *	2/2010	Gosis	.....	E04F 21/26 52/749.1
D682,446	S *	5/2013	Young	.....	D25/69
8,568,202	B2 *	10/2013	Spurgeon	.....	E04F 11/166 451/41
D804,058	S *	11/2017	Mickelson	.....	D25/69
2003/0182880	A1 *	10/2003	Weaber	.....	B27M 3/04 52/179
2006/0196129	A1 *	9/2006	Lin	.....	E04F 11/108 52/188

**OTHER PUBLICATIONS**

Internet printout showing a Google image search at <https://www.google.com/> using search terms “shaker furniture”, printed on May 27, 2020 (9 pages).

“Shaker furniture.” Wikipedia, Sep. 19, 2019, [https://en.wikipedia.org/w/index.php?title=Shaker\\_furniture&oldid=916597380](https://en.wikipedia.org/w/index.php?title=Shaker_furniture&oldid=916597380), printed on May 29, 2020 (3 pages).

\* cited by examiner

*Primary Examiner* — Gino Colan

(74) *Attorney, Agent, or Firm* — Lewis Rice LLC

(57) **CLAIM**

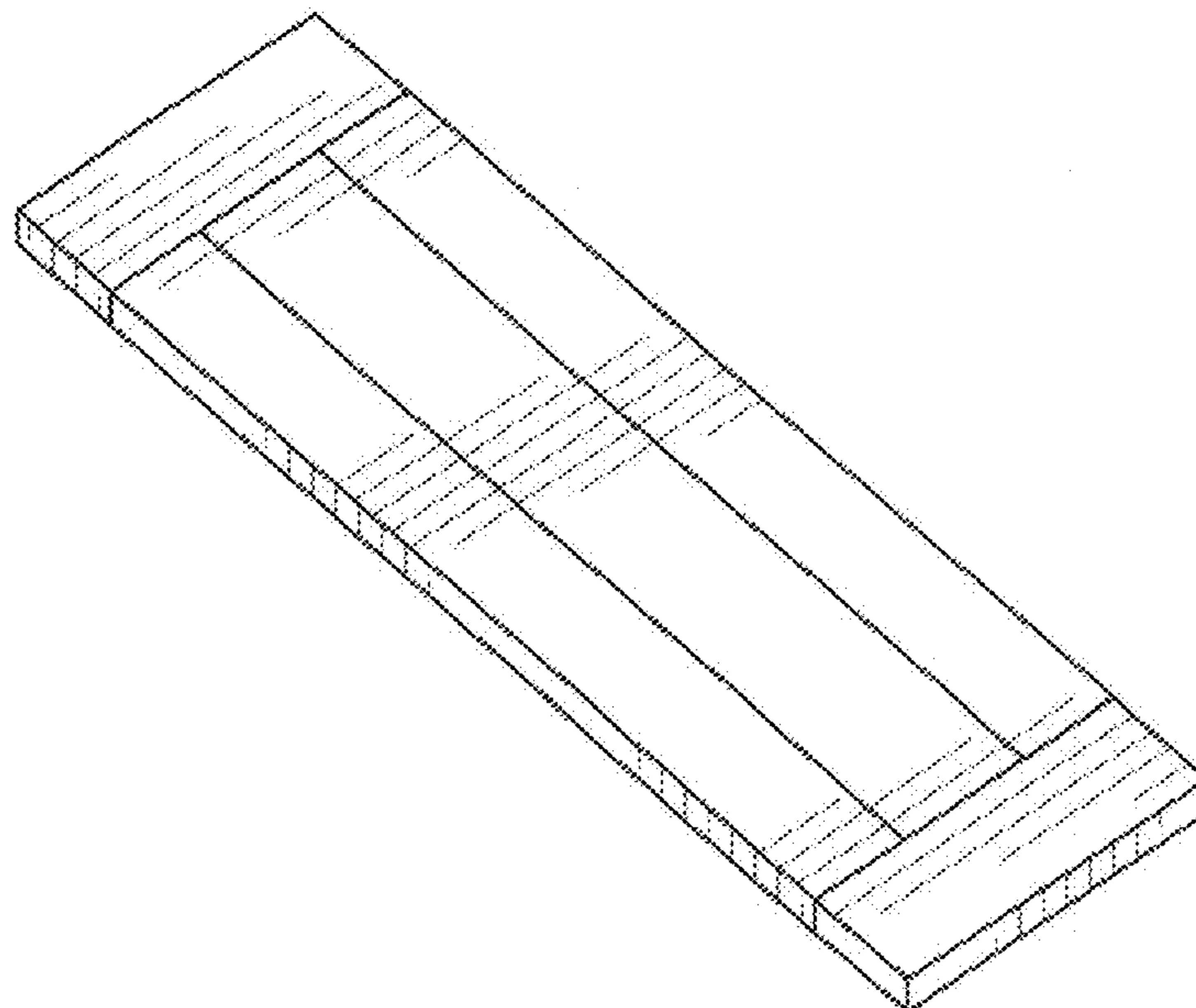
The ornamental design for a stair tread, as shown and described.

**DESCRIPTION**

FIG. 1 provides a top front perspective view of a stair tread. FIG. 2 provides a front elevation view of a stair tread. FIG. 3 provides a back elevation view of a stair tread. FIG. 4 provides a right side elevation view of a stair tread. FIG. 5 provides a left side elevation view of a stair tread. FIG. 6 provides a top elevation view of a stair tread. FIG. 7 provides a bottom elevation view of a stair tread; and, FIG. 8 provides a perspective view of a stair tread installed on a staircase.

The broken lines shown in FIGS. 3 and 7 are for the purpose of illustrating portions of the stair tread and form no part of the claimed design. The broken lines showing a stair in FIG. 8 are for the purpose of illustrating environment and form no part of the claimed design.

**1 Claim, 4 Drawing Sheets**



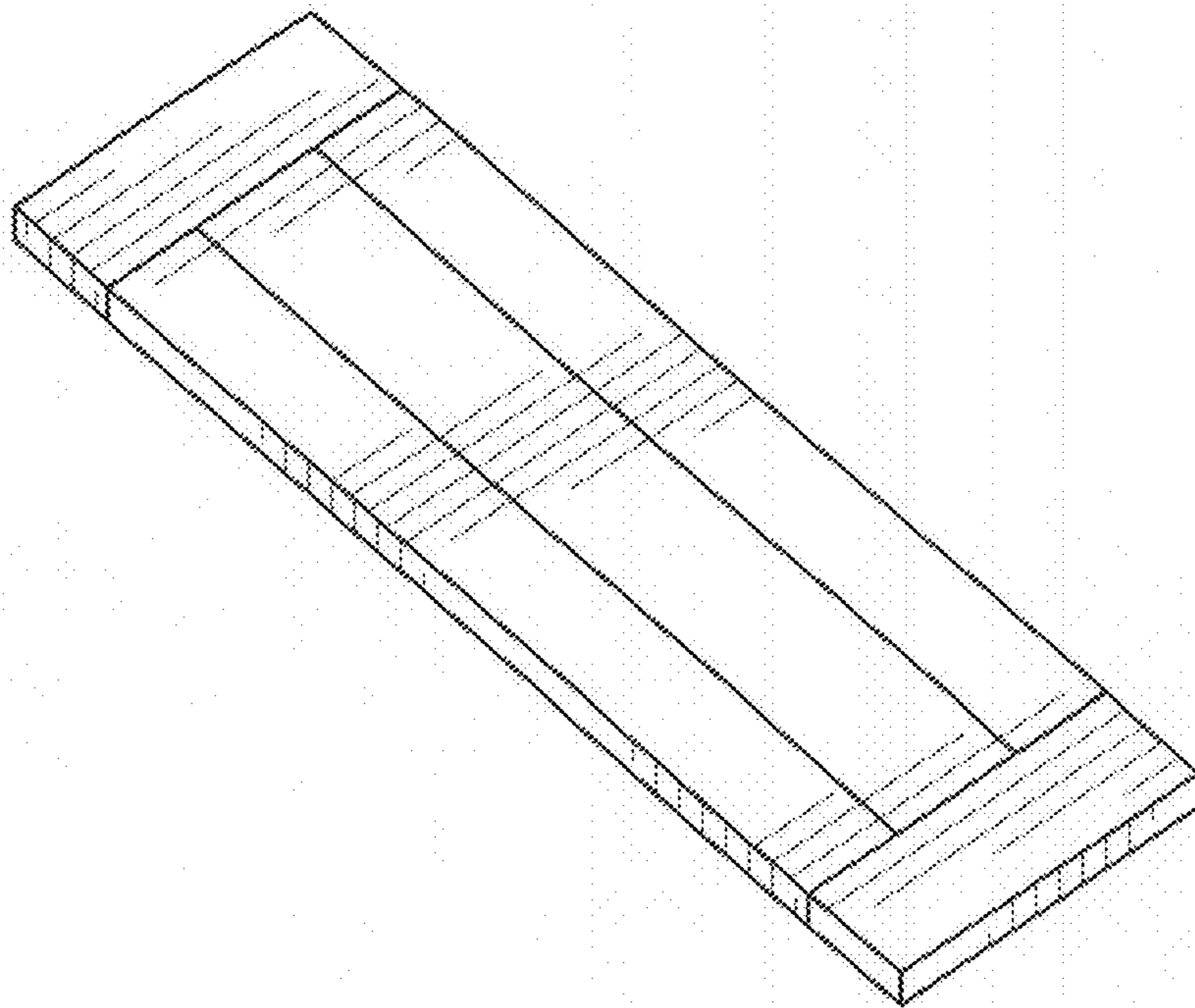


FIG. 1

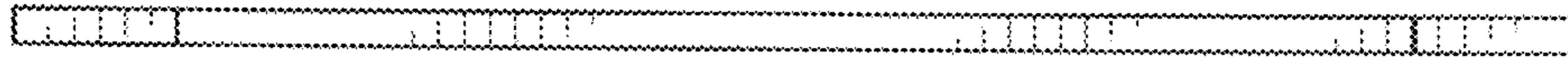


FIG. 2

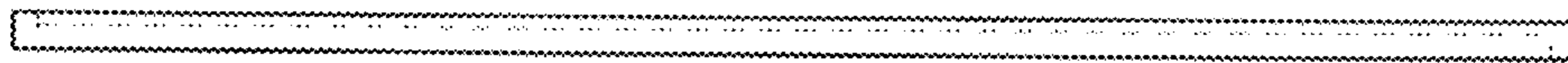


FIG. 3

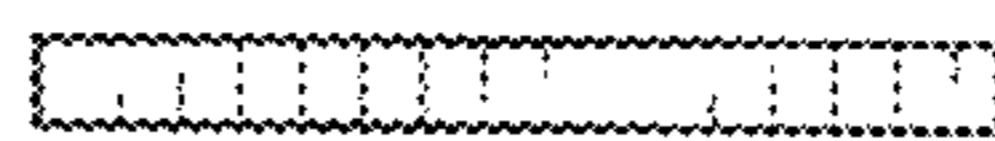


FIG. 4

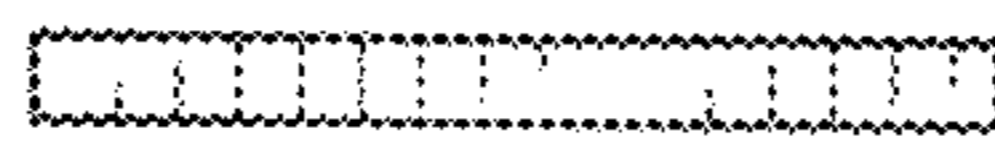


FIG. 5

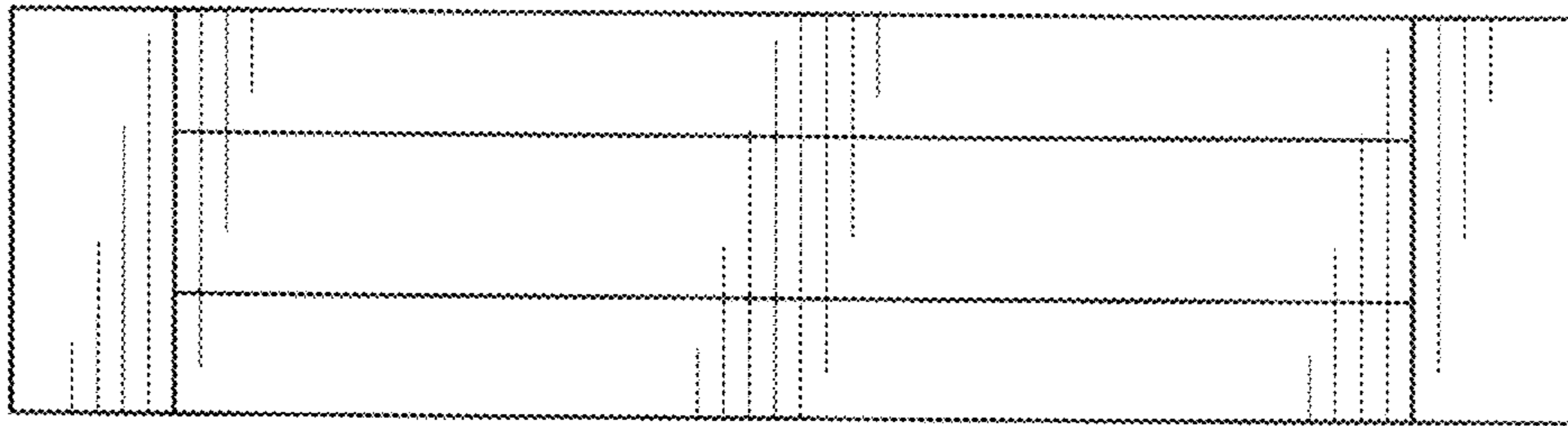


FIG. 6

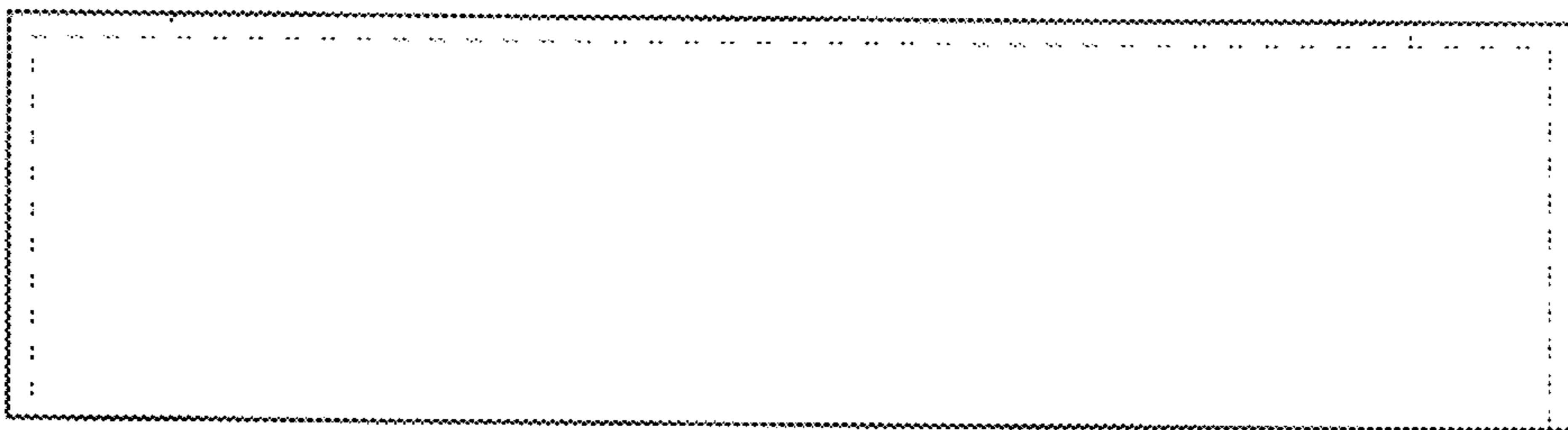


FIG. 7

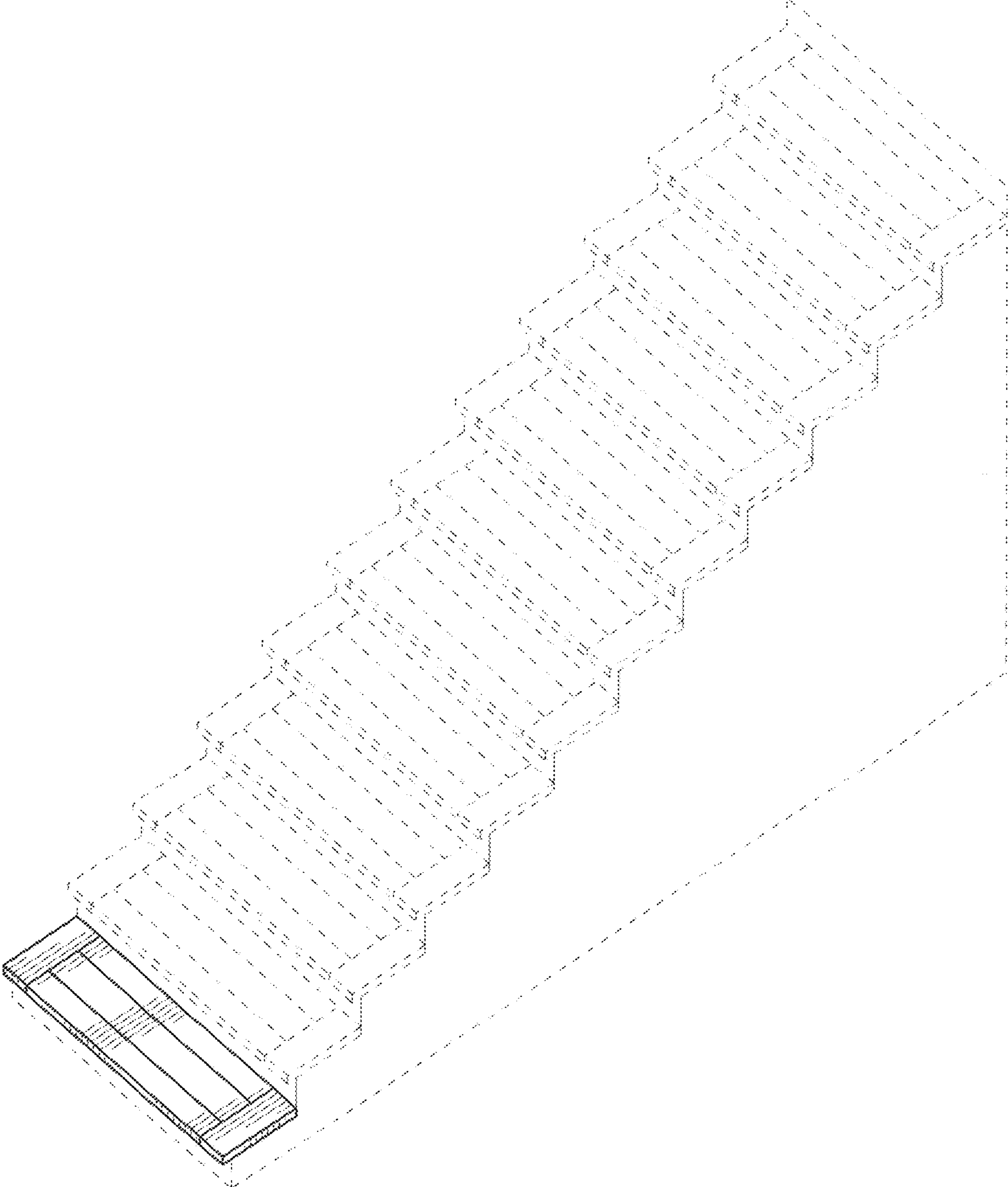


FIG. 8