



US00D923200S

(12) **United States Design Patent**
Luther et al.

(10) **Patent No.:** **US D923,200 S**
(45) **Date of Patent:** **** Jun. 22, 2021**

- (54) **ELECTROPORATION DEVICE**
- (71) Applicant: **MaxCyte, Inc.**, Gaithersburg, MD (US)
- (72) Inventors: **James William Luther**, Milan (IT);
Bertold Engler, Altensteig (DE);
Andrea Besana, Seveso (IT); **Thomas Alan Peach**, Milan (IT)
- (73) Assignee: **MaxCyte, Inc**, Gaithersburg, MD (US)

D693,928 S *	11/2013	Chung	D24/169
D712,352 S *	9/2014	George	D13/112
D712,833 S *	9/2014	George	D13/112
D728,121 S *	4/2015	Cook	D24/216
9,020,605 B2 *	4/2015	McCluskey	A61N 1/327 607/62
D743,035 S *	11/2015	Uozumi	D24/165
D759,250 S *	6/2016	Engler	D24/170
D821,601 S *	6/2018	Henderson	D24/216
D860,941 S *	9/2019	Wheeler	D13/112
2016/0175619 A1 *	6/2016	Lee	A61N 7/022 601/3

(**) Term: **15 Years**

* cited by examiner

(21) Appl. No.: **29/726,262**

Primary Examiner — Derrick E Holland

(22) Filed: **Mar. 2, 2020**

(74) *Attorney, Agent, or Firm* — Finnegan, Henderson, Farabow, Garrett & Dunner, LLP

(51) **LOC (13) Cl.** **24-01**

(52) **U.S. Cl.**

USPC **D24/233**; D13/112; D24/216

(58) **Field of Classification Search**

USPC D13/101, 110, 112, 113, 114, 115, 116,
D13/118, 122; D24/144, 216, 220, 232,
D24/233, 167, 170, 185, 200, 214

CPC F02B 63/04; F02D 19/066; F24H 9/02;
A61B 18/1206; A61B 18/1402; A61B
18/1815; H01R 13/64; H02K 21/042;
H02K 7/006; H02H 3/025; A61N 1/00;
A61N 1/05; A61N 1/32

See application file for complete search history.

(56) **References Cited**

U.S. PATENT DOCUMENTS

D546,761 S *	7/2007	Schnackenberg	D13/122
D552,241 S *	10/2007	Bromley	D24/170
D567,761 S *	4/2008	Waalder	D13/112
D574,771 S *	8/2008	Flanigan	D13/122
D620,886 S *	8/2010	Flattinger	D13/116

(57) **CLAIM**

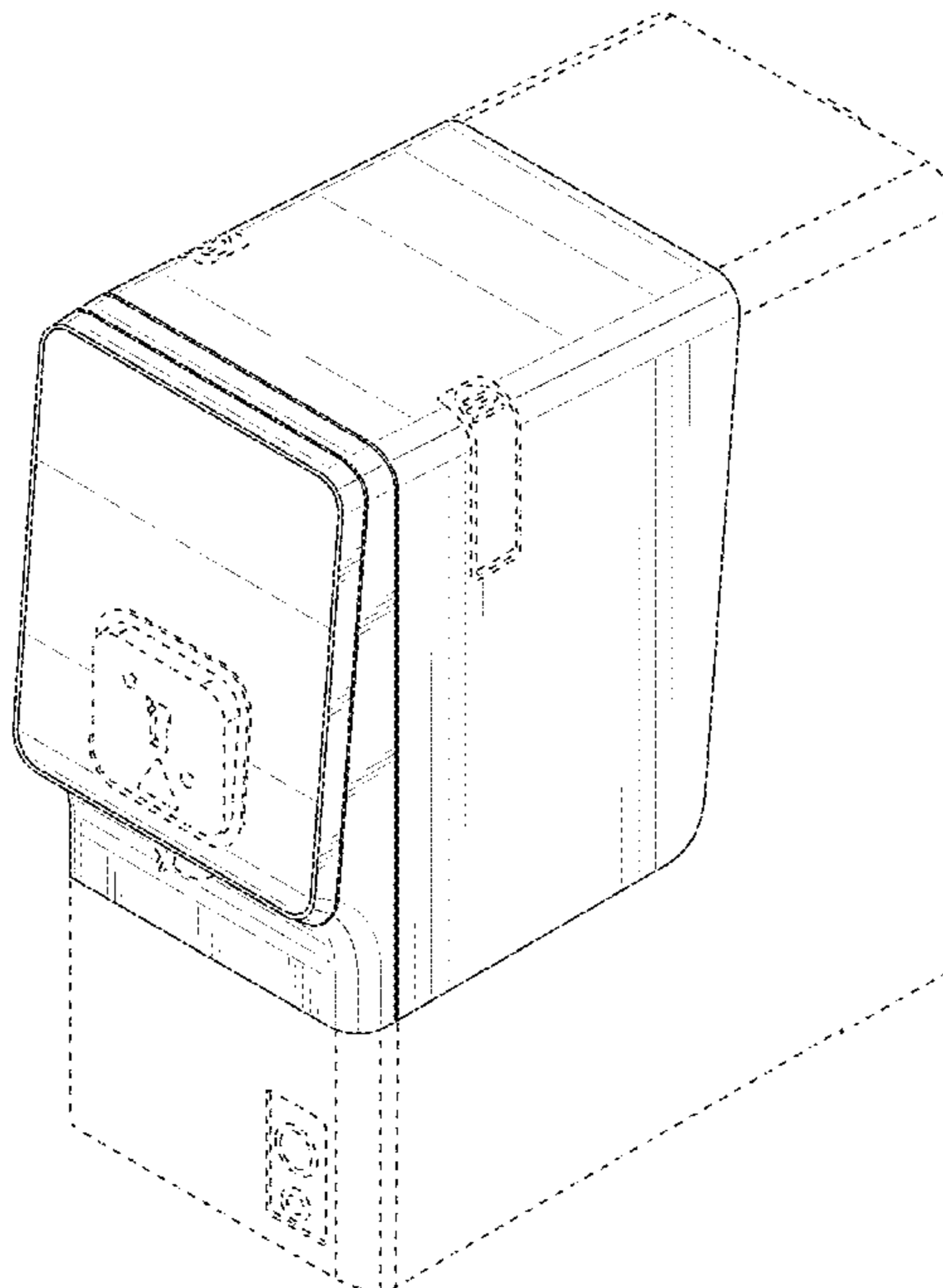
The ornamental design for an electroporation device, as shown and described.

DESCRIPTION

FIG. 1 is a front, top, right perspective view of an electroporation device, showing the new design; FIG. 2 is a rear, bottom, left perspective thereof; FIG. 3 is a front view thereof; FIG. 4 is a rear view thereof; FIG. 5 is a right side view thereof; FIG. 6 is a left side view thereof; FIG. 7 is a top view thereof; and, FIG. 8 is a bottom view thereof.

The broken lines of uneven length illustrate the boundary of the claimed design and form no part thereof. The broken lines of even length depict portions of the electroporation device that form no part of the claimed design.

1 Claim, 8 Drawing Sheets



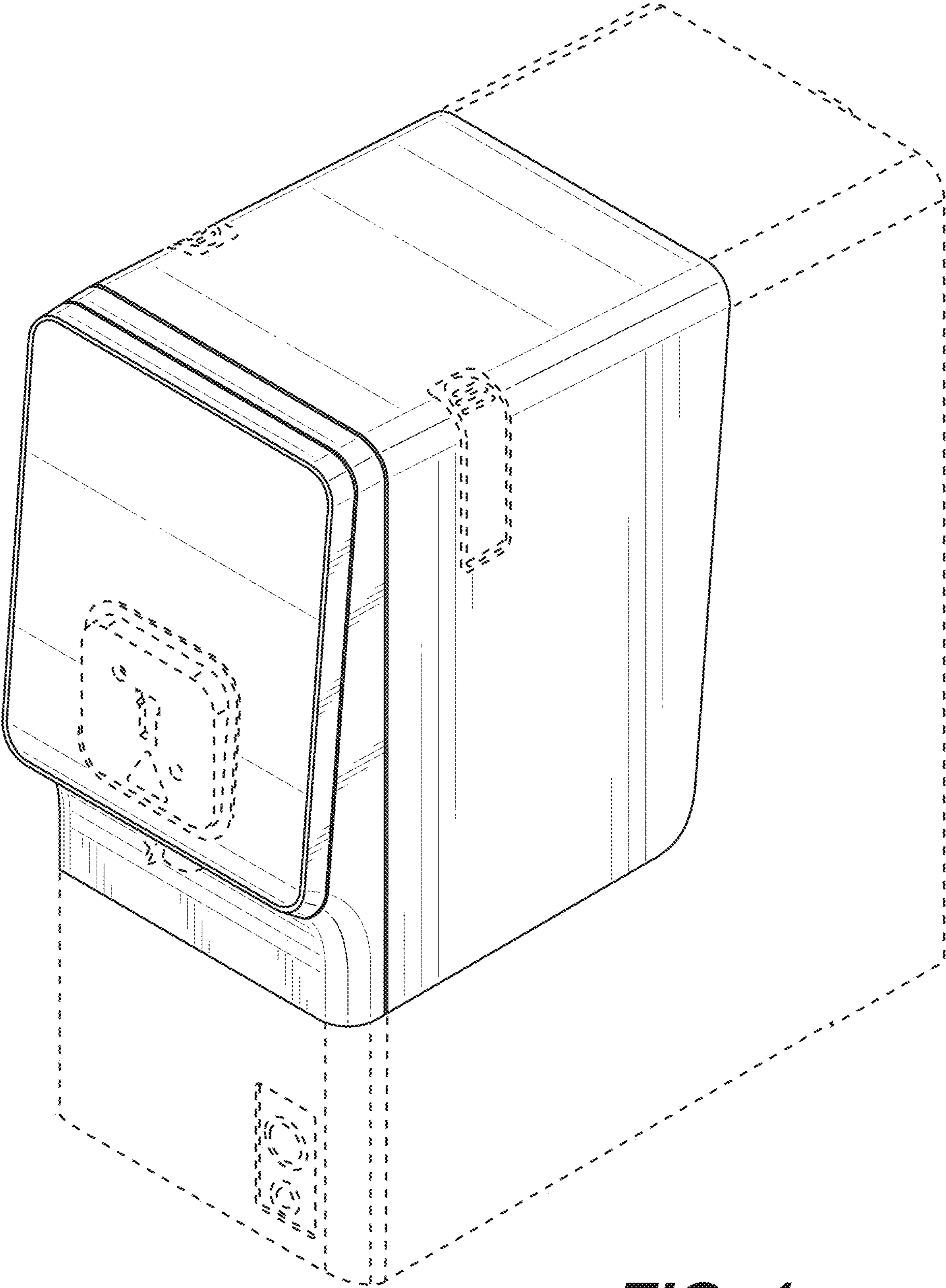


FIG. 1

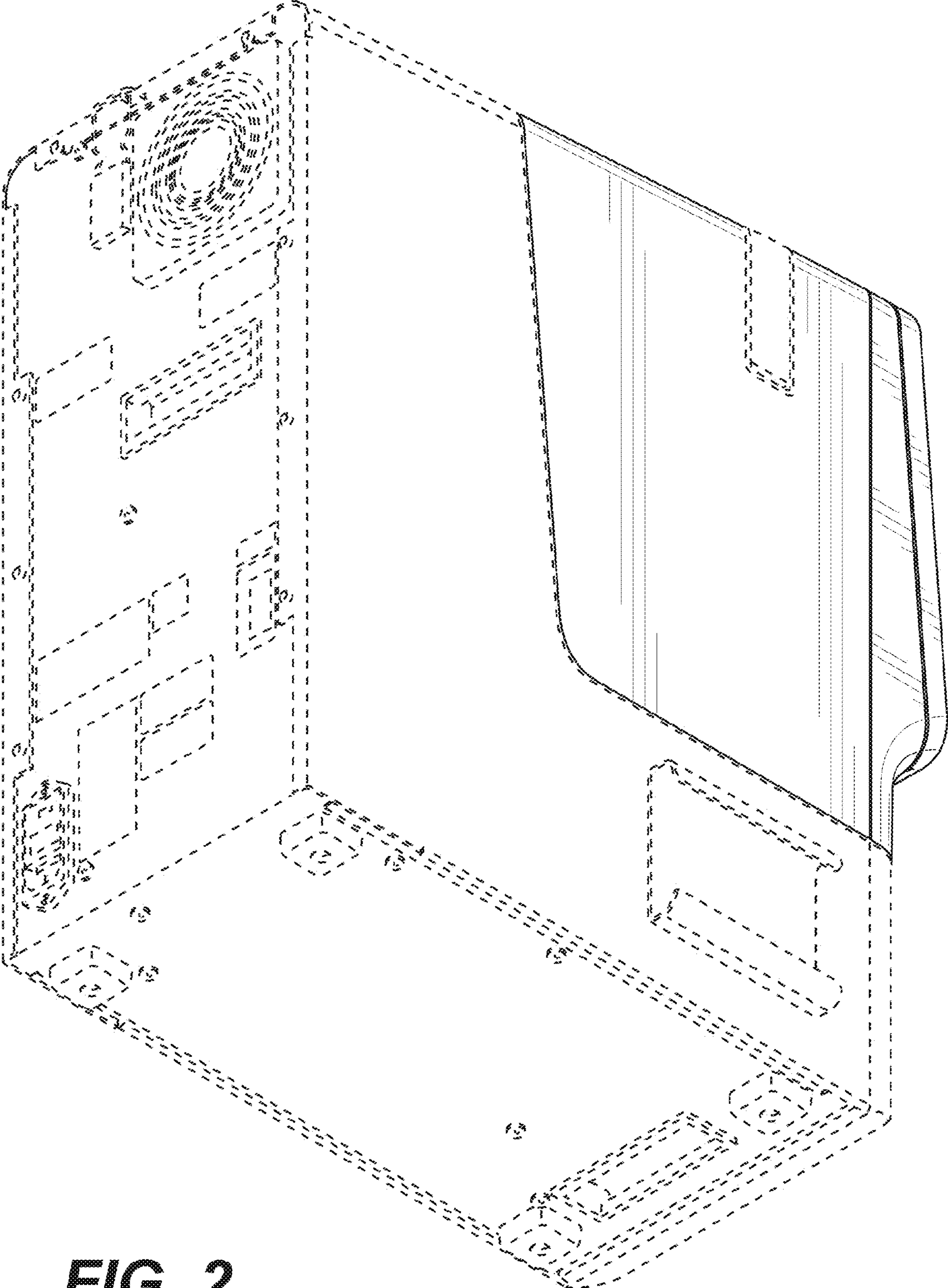


FIG. 2

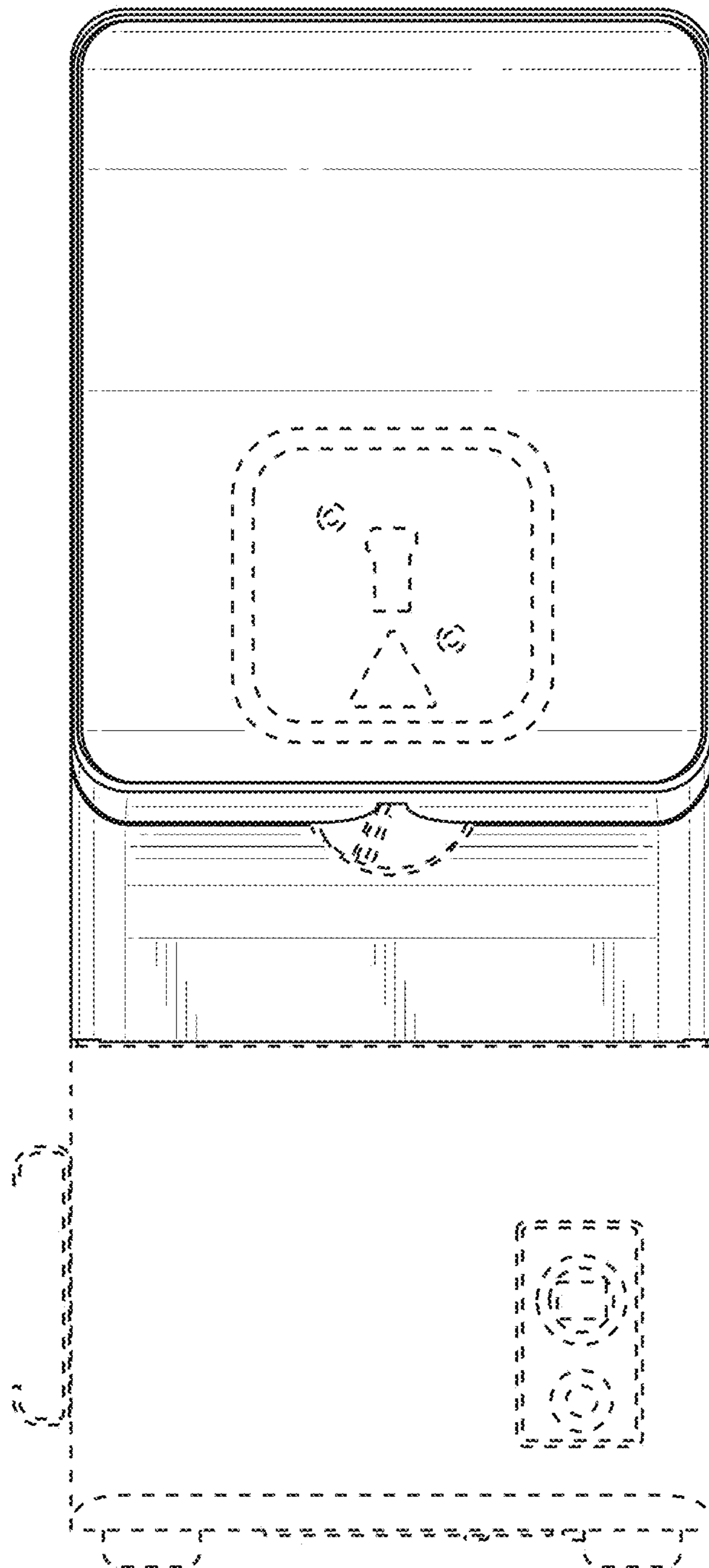


FIG. 3

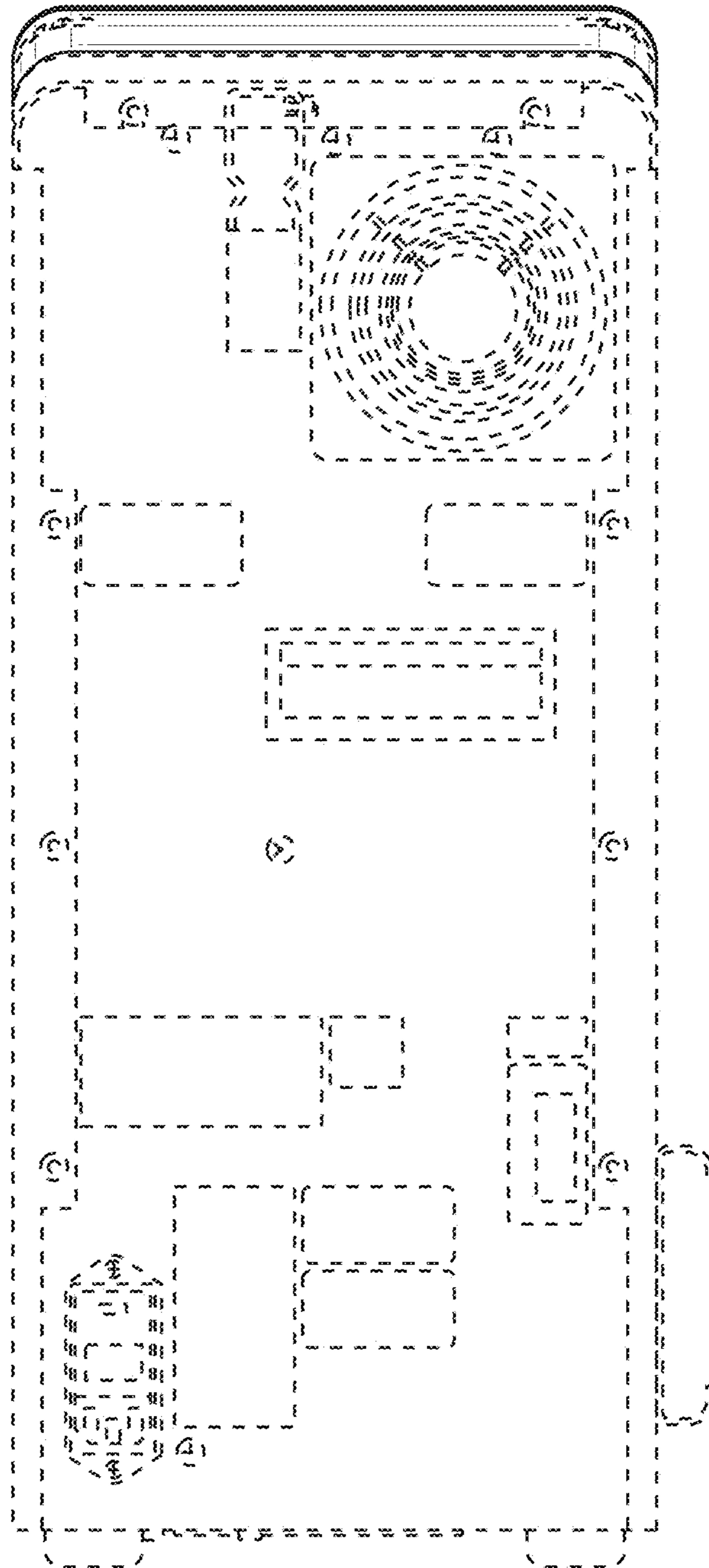


FIG. 4

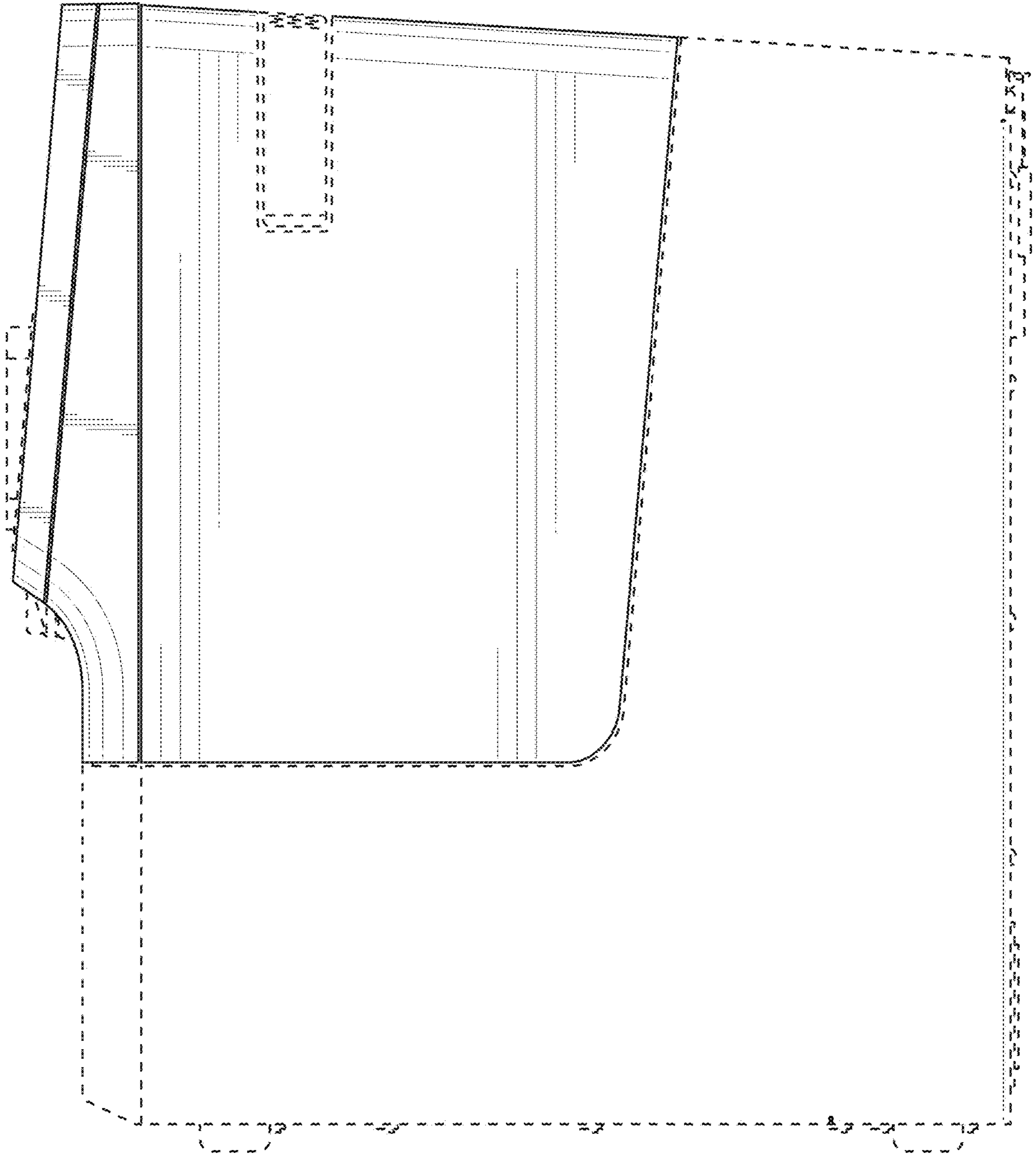


FIG. 5

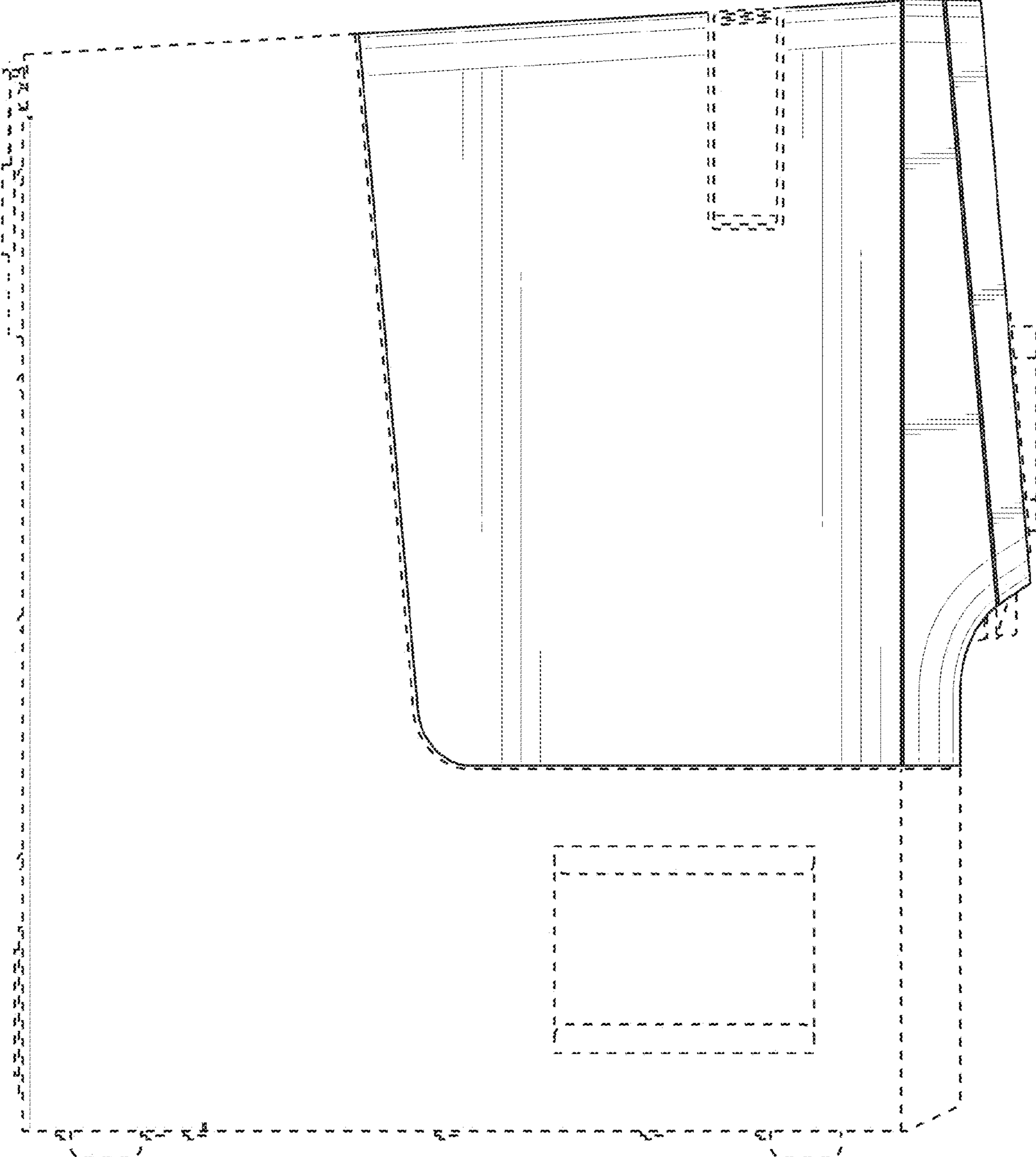


FIG. 6

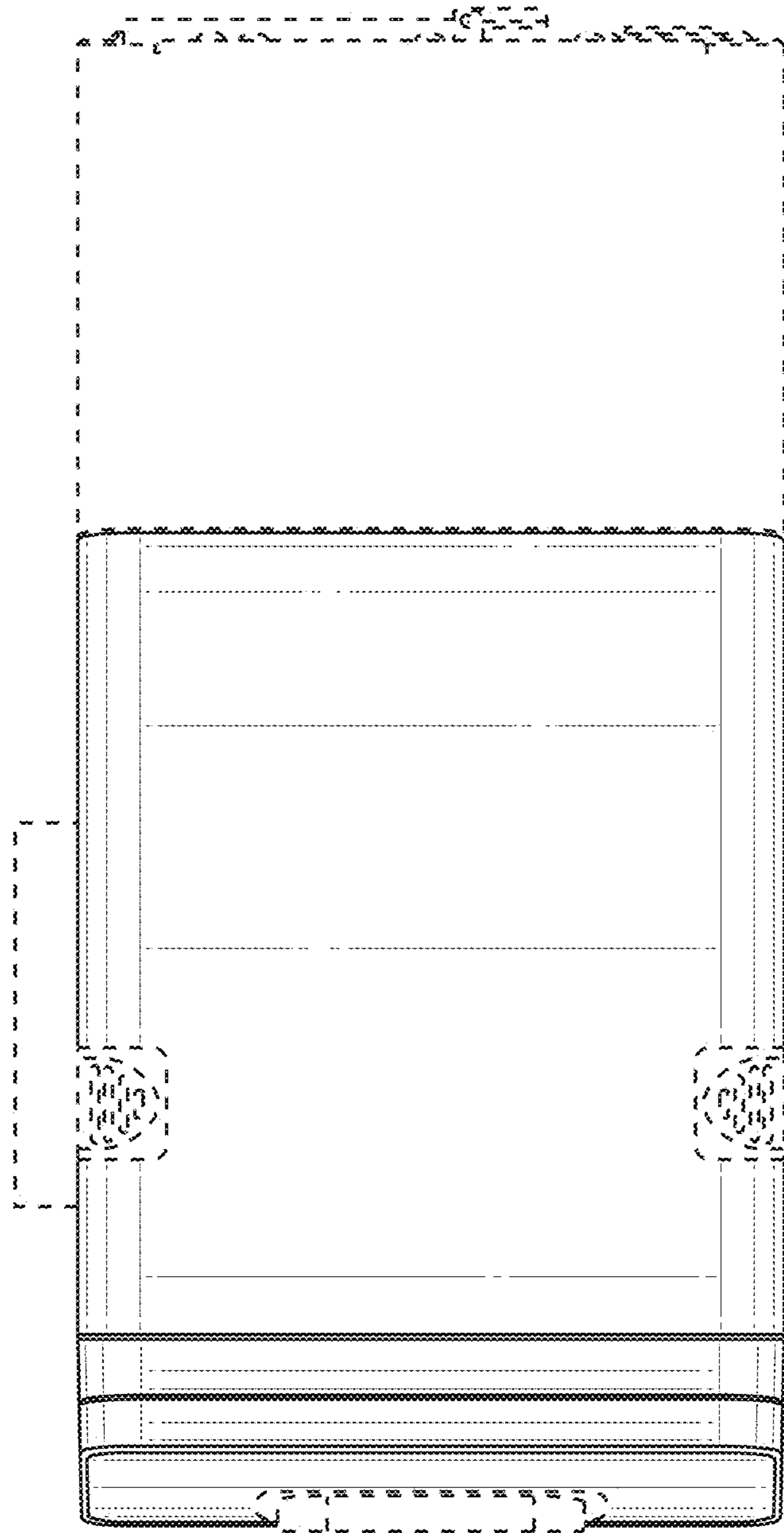


FIG. 7

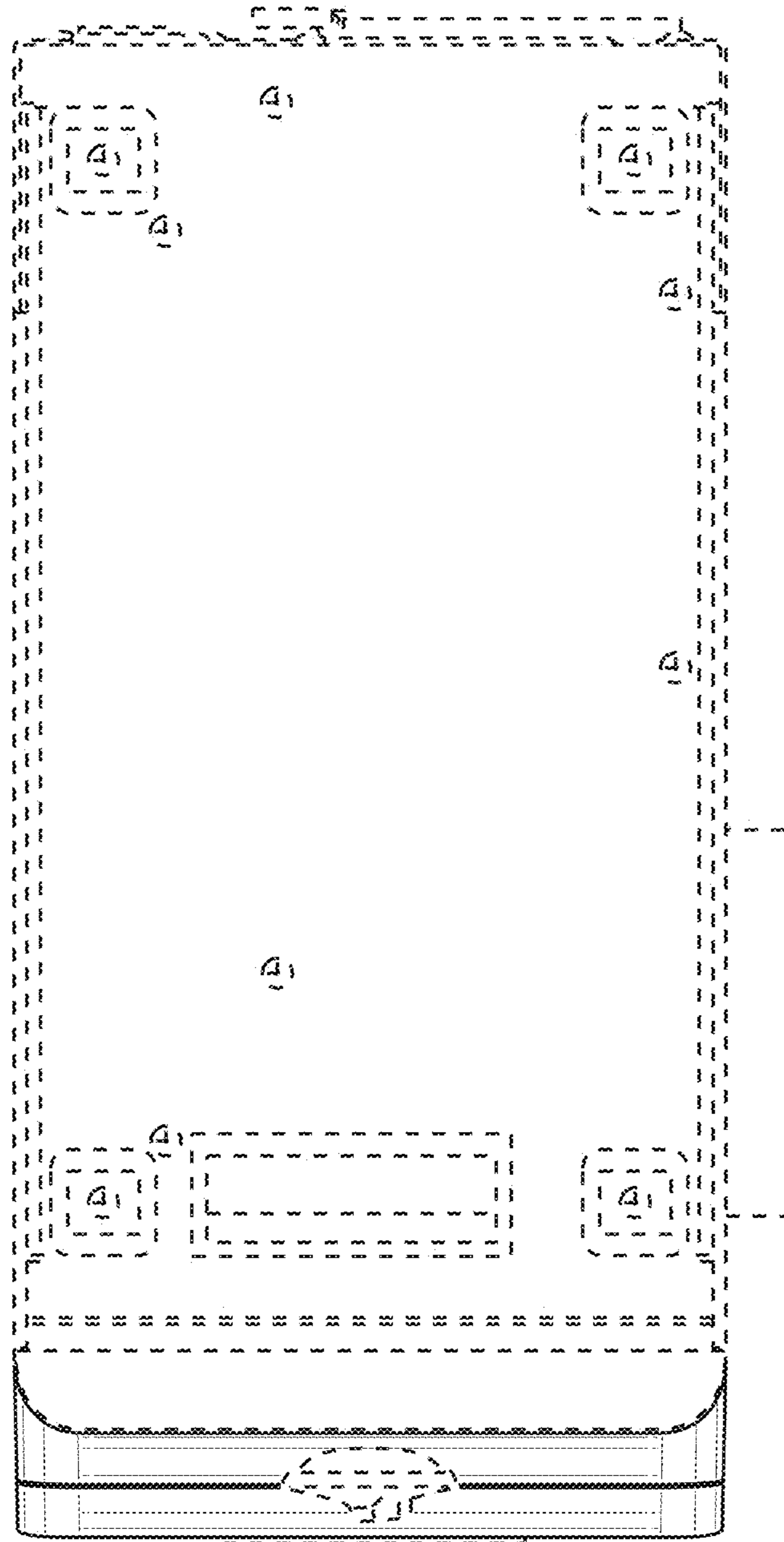


FIG. 8