

US00D923195S

(12) **United States Design Patent** (10) **Patent No.:** **US D923,195 S**
Harding et al. (45) **Date of Patent:** **** Jun. 22, 2021**

(54) **COLLECTION DEVICE** 5,543,115 A 8/1996 Karakawa
D383,851 S 9/1997 Wong
(71) Applicant: **Becton, Dickinson and Company,** D425,625 S 5/2000 Niermann
Franklin Lakes, NJ (US) (Continued)

(72) Inventors: **Weston F. Harding,** Lehi, UT (US); FOREIGN PATENT DOCUMENTS
Austin Jason Mckinnon, Herriman, UT WO WO 2011/095599 8/2011
(US); **Matthew Oshinski,** Oak Ridge, WO WO 2016/040642 3/2016
NJ (US)

(73) Assignee: **Becton, Dickinson and Company,** OTHER PUBLICATIONS
Franklin Lakes, NJ (US)

(**) Term: **15 Years**

(21) Appl. No.: **29/704,831**

(22) Filed: **Sep. 6, 2019**

Related U.S. Application Data

(62) Division of application No. 29/618,544, filed on Sep. 21, 2017.

(51) **LOC (13) Cl.** **24-01**

(52) **U.S. Cl.**
USPC **D24/216; D24/224**

(58) **Field of Classification Search**
USPC D24/216, 223–233, 186, 107, 121;
D10/81
CPC B01L 3/5029; B01L 3/508; B01L 3/5082;
B01L 3/50825; B01L 2300/046; B01L
2300/047; B01L 2300/049; B01L
2300/0832; A61B 10/0051; A61B 10/007;
A61B 10/0074; A61B 10/0038; A61B
10/0096

See application file for complete search history.

(56) **References Cited**

U.S. PATENT DOCUMENTS

D229,689 S 12/1973 Dragotta
4,278,437 A 7/1981 Haggar
5,422,273 A 6/1995 Garrison et al.

WO WO 2011/095599 8/2011
WO WO 2016/040642 3/2016

Becton Dickinson—BD HD Check Analyzer—Nursing Brochure;
Mar. 2018, in 8 pages.

(Continued)

Primary Examiner — Anhdao Doan

(74) *Attorney, Agent, or Firm* — Knobbe Martens Olson
& Bear LLP

(57) **CLAIM**

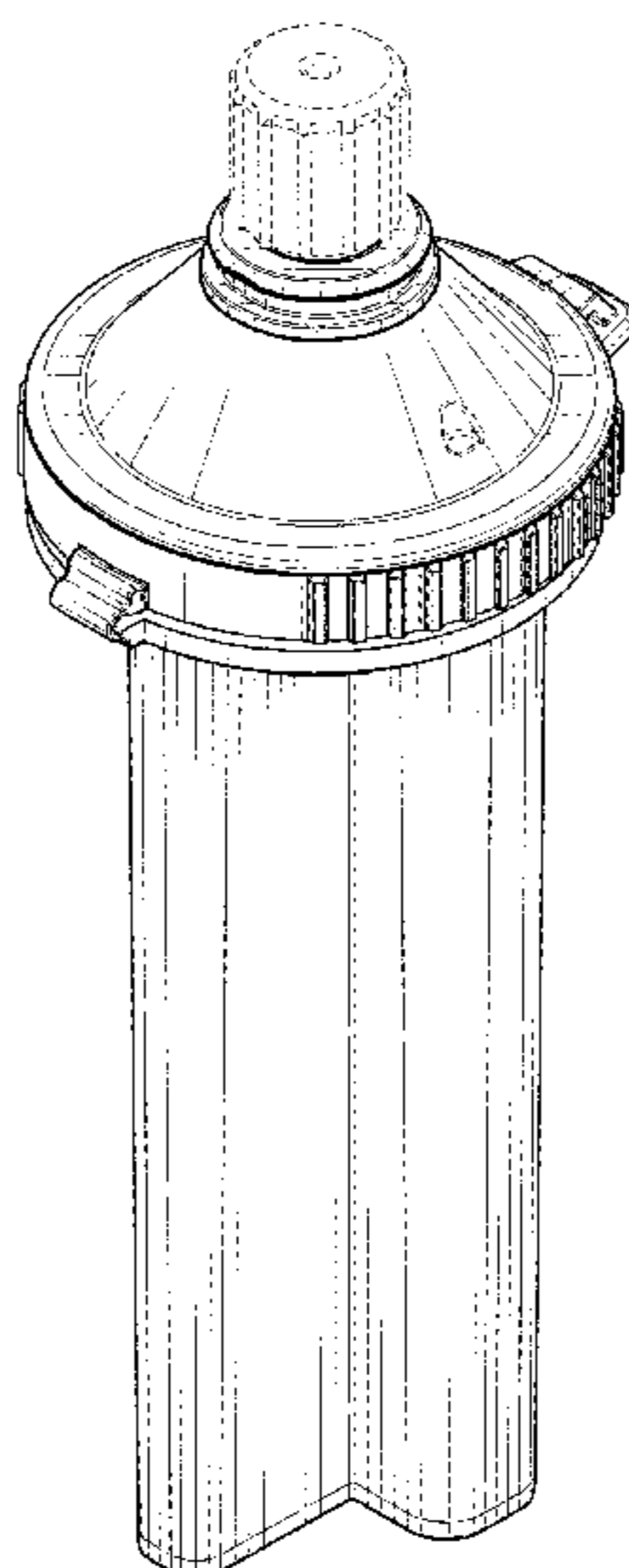
The ornamental design for a collection device, as shown and described.

DESCRIPTION

FIG. 1 is a top, left, and front perspective view of an embodiment of a collection device, showing our new design; FIG. 2 is a top, right, and front perspective view thereof; FIG. 3 is a front elevation view thereof; FIG. 4 is a back elevation view thereof; FIG. 5 is a left side elevation view thereof; FIG. 6 is a right side elevation view thereof; FIG. 7 is a top plan view thereof; FIG. 8 is a bottom plan view thereof; FIG. 9 is a bottom, left, and front perspective view thereof; and, FIG. 10 is a bottom, right, and front perspective view thereof.

The broken lines illustrate portions of the collection device which form no part of the claimed design.

1 Claim, 8 Drawing Sheets



(56)

References Cited

U.S. PATENT DOCUMENTS

D438,979 S 2/2001 Gomes et al.
 D520,643 S 5/2006 Clarke et al.
 7,114,403 B2 10/2006 Wu et al.
 D558,357 S 12/2007 Byrd et al.
 D559,397 S 1/2008 Eriksson et al.
 D560,281 S 1/2008 Kozak et al.
 D574,507 S 8/2008 Muir et al.
 D594,131 S 6/2009 Nguyen
 7,837,939 B2 11/2010 Tung et al.
 D640,795 S 6/2011 Jackson et al.
 8,128,871 B2 3/2012 Petruno et al.
 D743,046 S 11/2015 Poll et al.
 D743,571 S 11/2015 Jackson et al.
 9,488,585 B2 11/2016 Emeric et al.
 9,857,372 B1 1/2018 Pulitzer et al.
 D859,683 S * 9/2019 Harding D24/216
 D882,817 S * 4/2020 Norton D24/224
 D898,220 S * 10/2020 Esala D24/224
 2004/0018634 A1 1/2004 Hajizadeh et al.
 2005/0084842 A1 4/2005 O'Connor
 2005/0106753 A1 5/2005 Wu et al.

2005/0136540 A1 6/2005 Quine et al.
 2007/0276786 A1 11/2007 Piedmonte
 2008/0118397 A1 5/2008 Slowey et al.
 2009/0061534 A1 3/2009 Sharrock
 2011/0201099 A1 8/2011 Anderson et al.
 2012/0264229 A1 10/2012 Wan
 2014/0183256 A1 7/2014 Calio et al.
 2017/0072393 A1 * 3/2017 Jackson B01L 3/50825
 2018/0372595 A1 12/2018 Pais et al.
 2019/0086295 A1 3/2019 Oshinski et al.
 2019/0086296 A1 3/2019 West
 2019/0086305 A1 3/2019 Harding et al.
 2019/0086380 A1 3/2019 Harding et al.
 2019/0086431 A1 3/2019 Isaacson et al.
 2019/0088026 A1 3/2019 Isaacson et al.
 2019/0120727 A1 4/2019 Harding et al.
 2020/0241020 A1 7/2020 Oshinski
 2020/0298240 A1 9/2020 Oshinski et al.

OTHER PUBLICATIONS

Becton Dickinson—BD HD Check Analyzer—Pharmacy Brochure; Mar. 2018, in 6 pages.

* cited by examiner

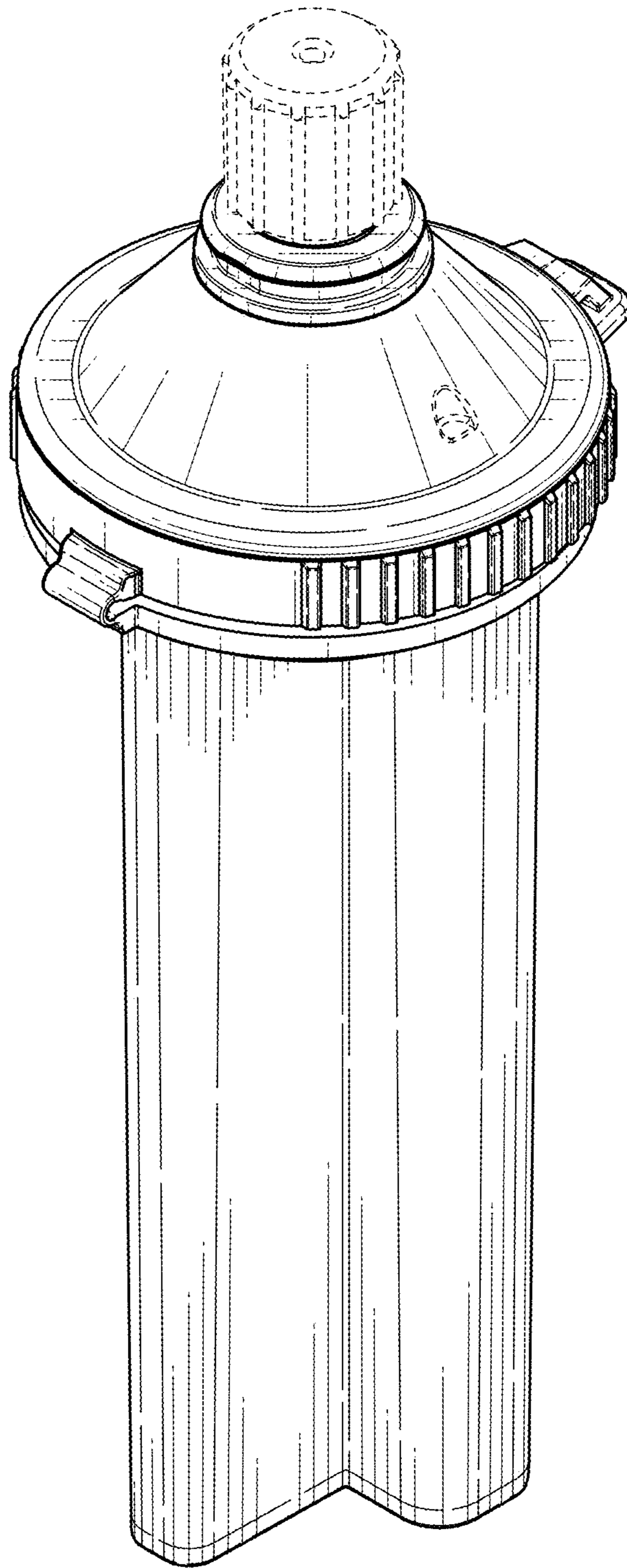


FIG. 1

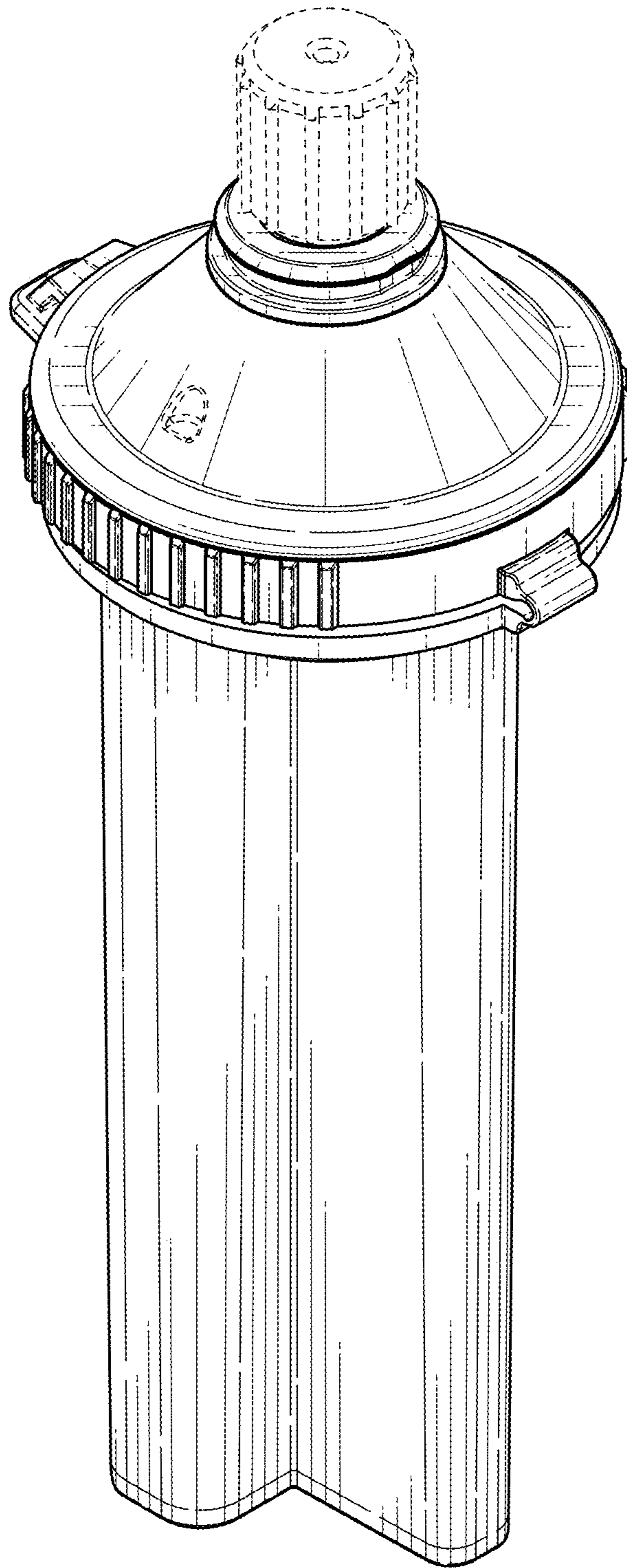


FIG. 2

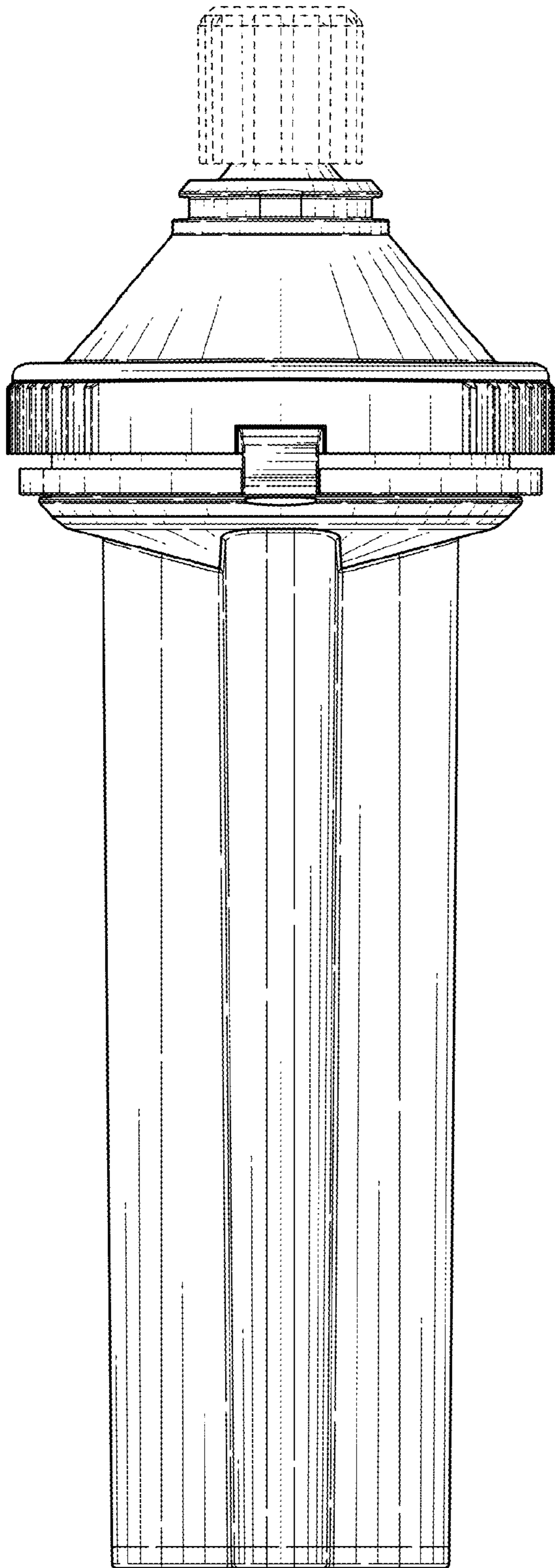


FIG. 3

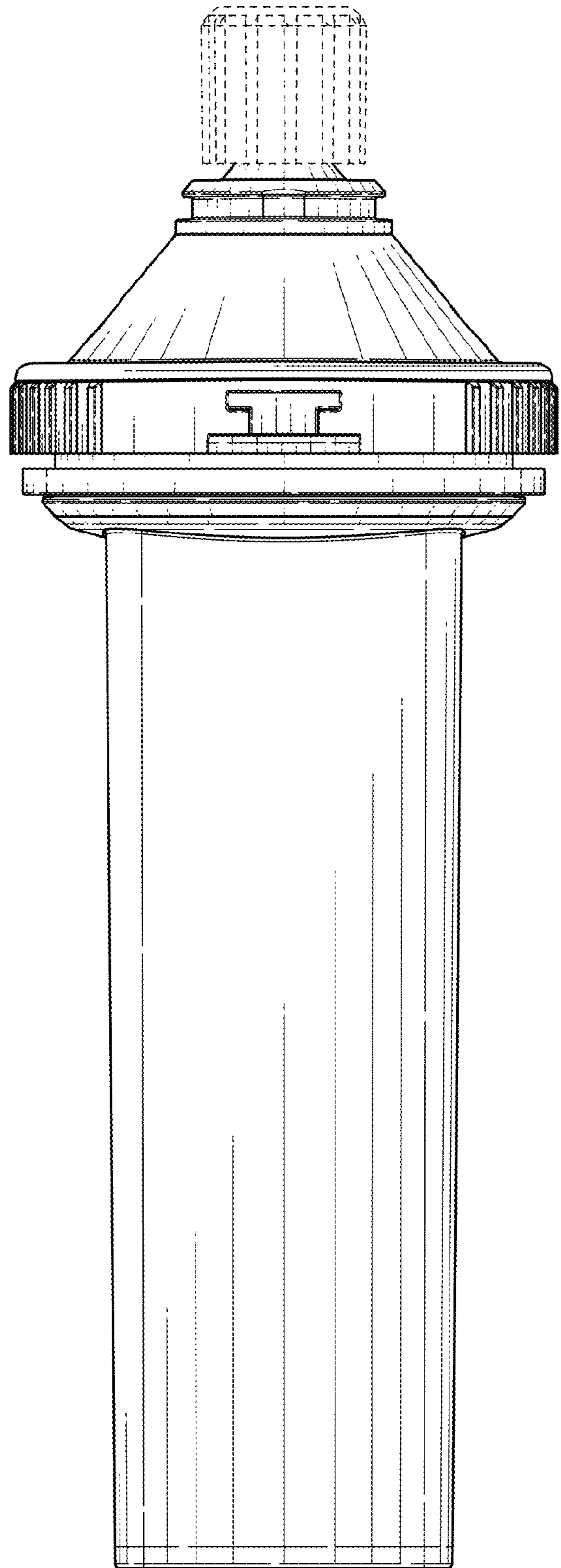


FIG. 4

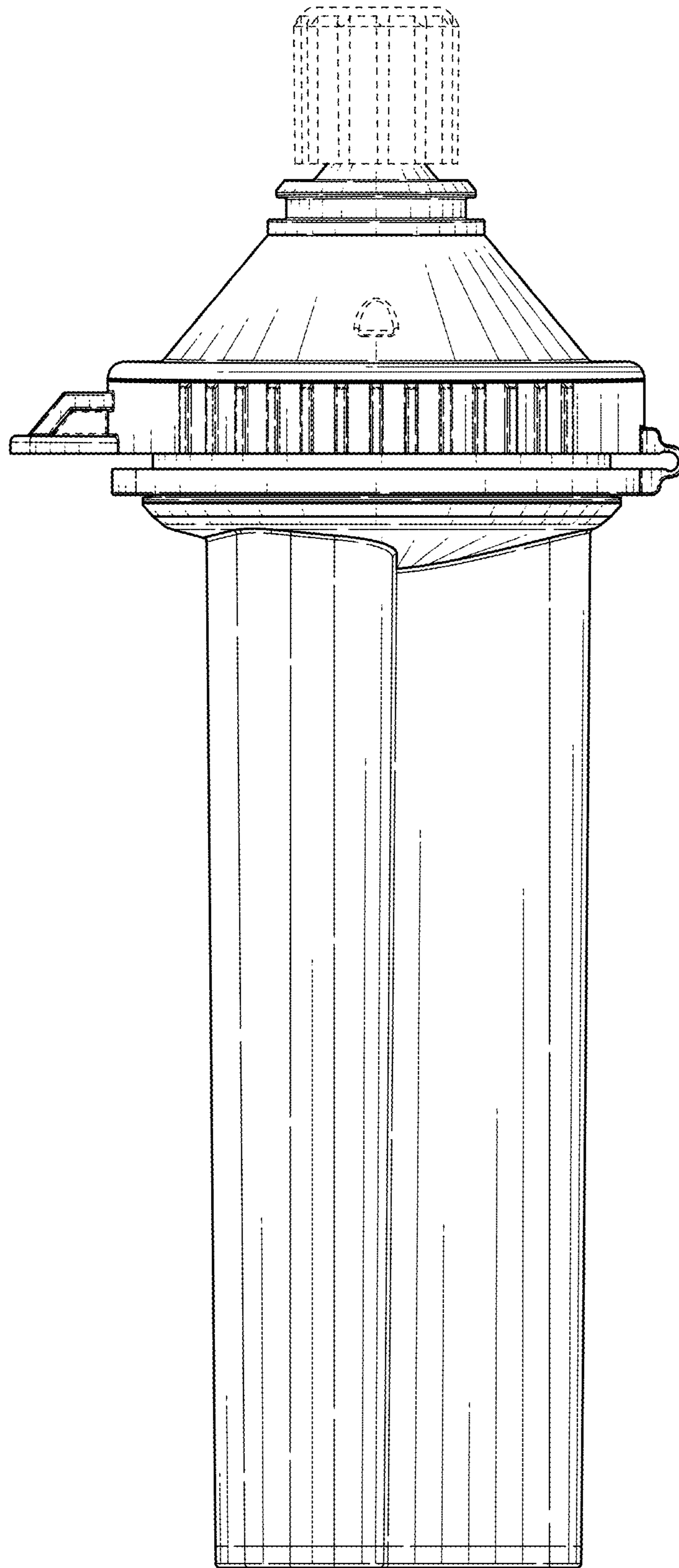


FIG. 5

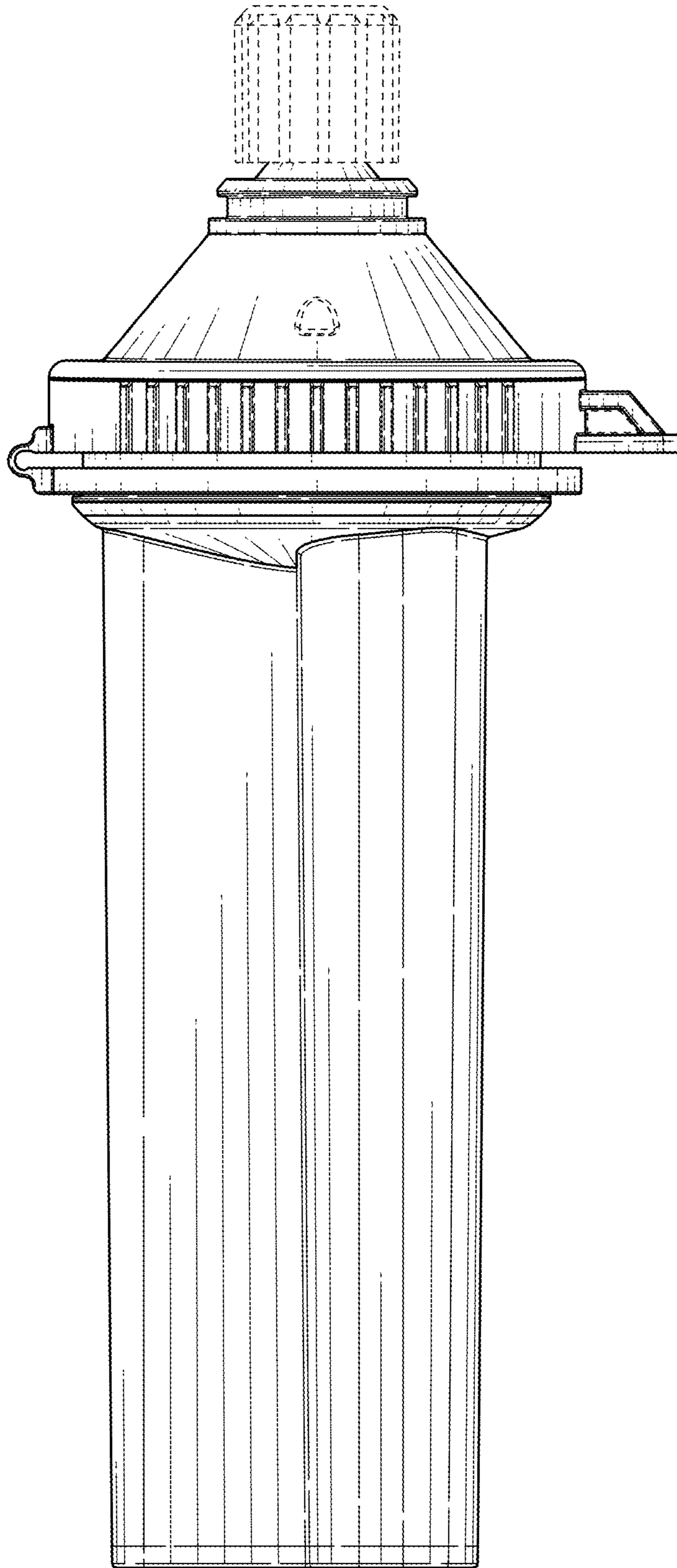


FIG. 6

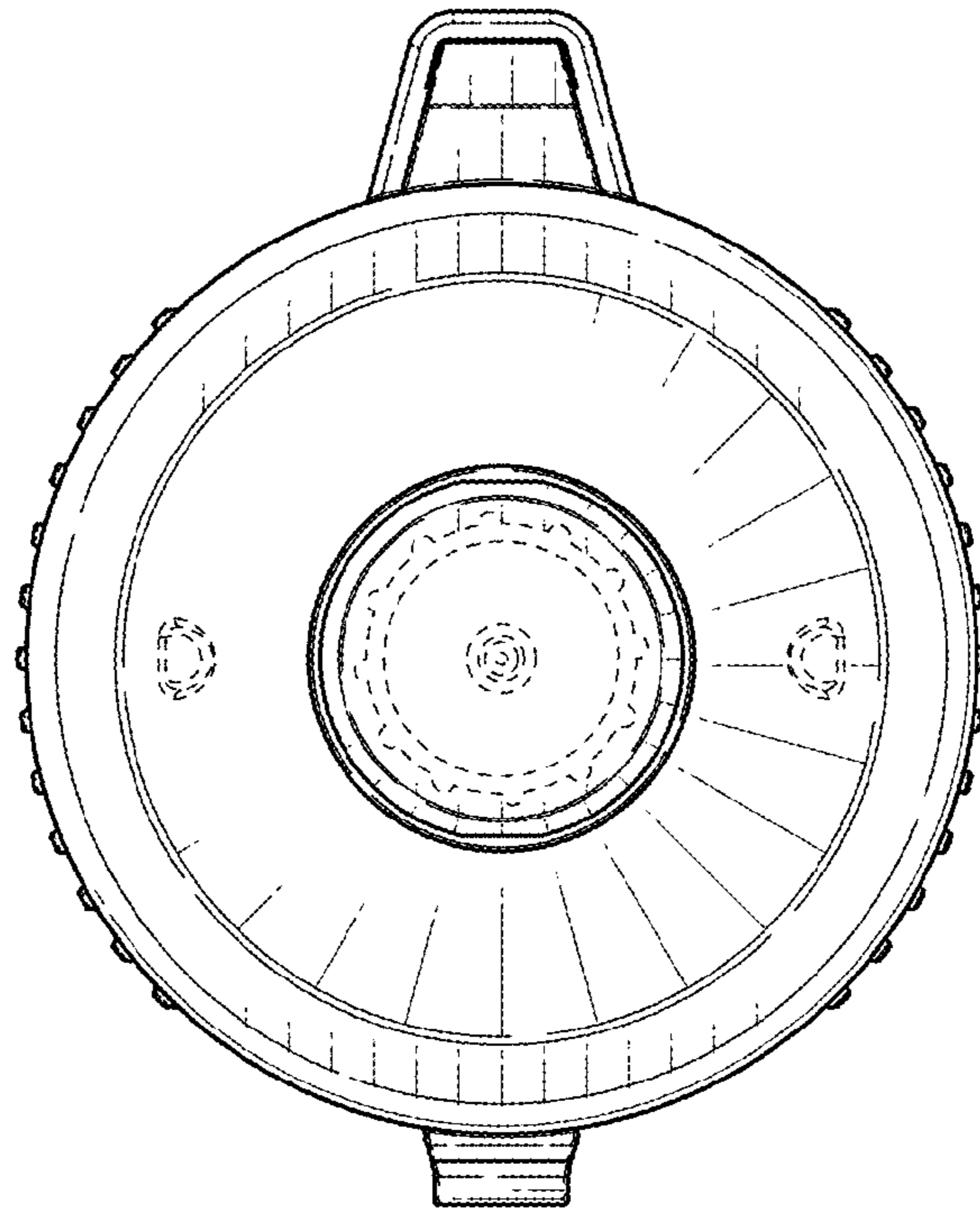


FIG. 7

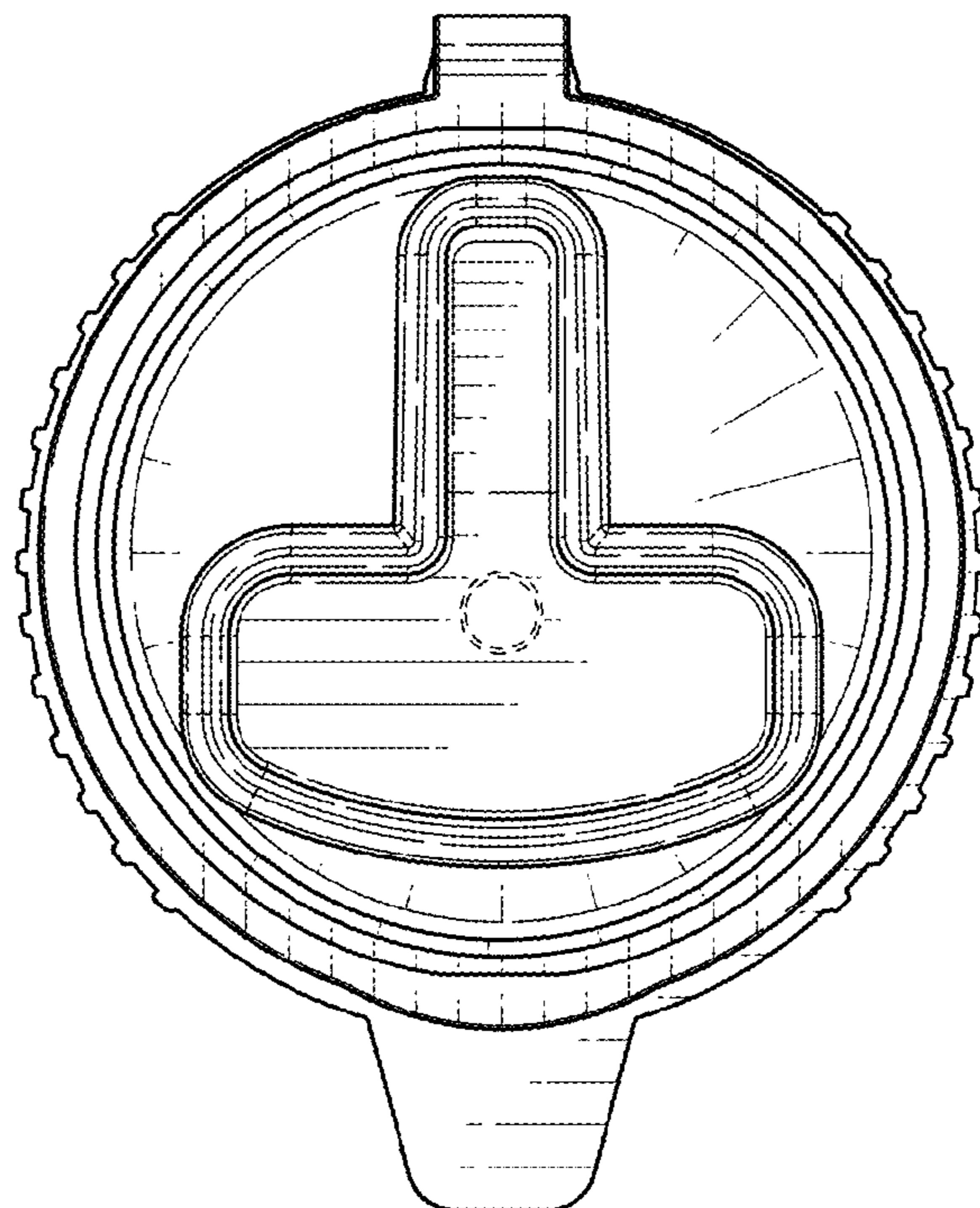


FIG. 8

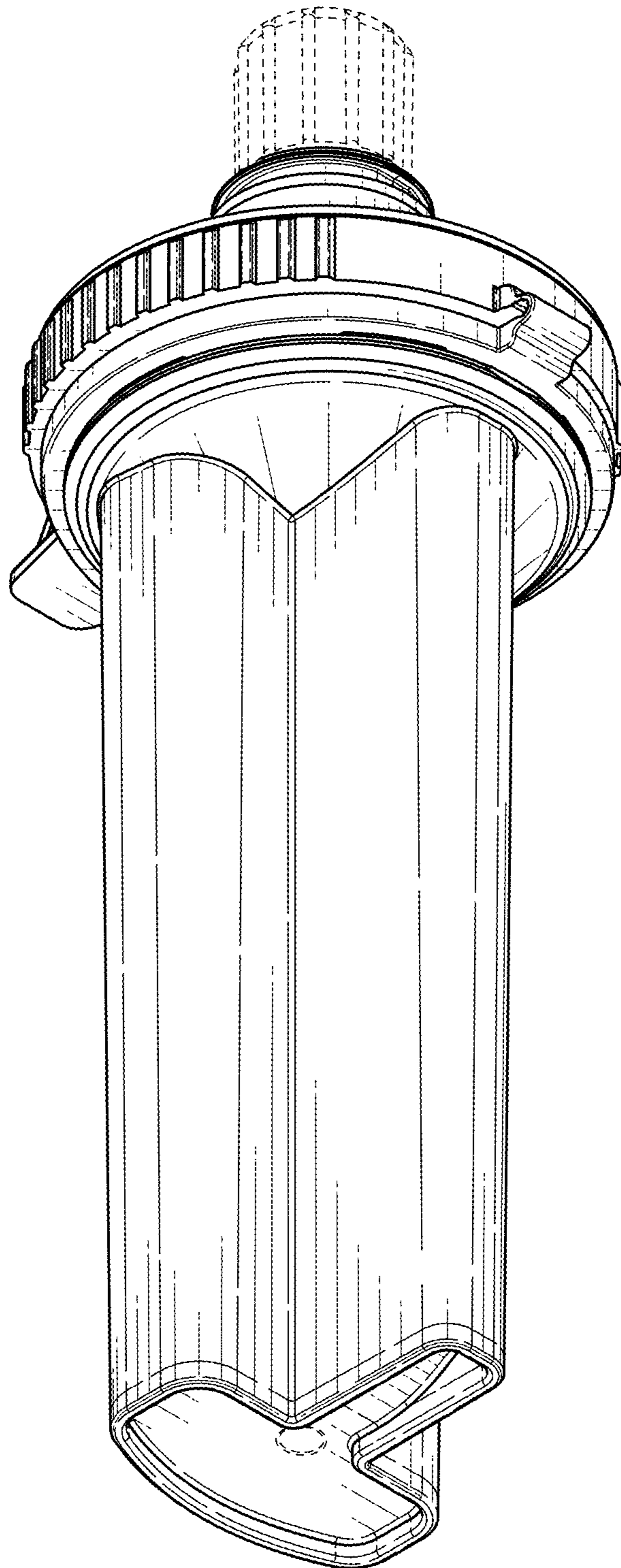


FIG. 9

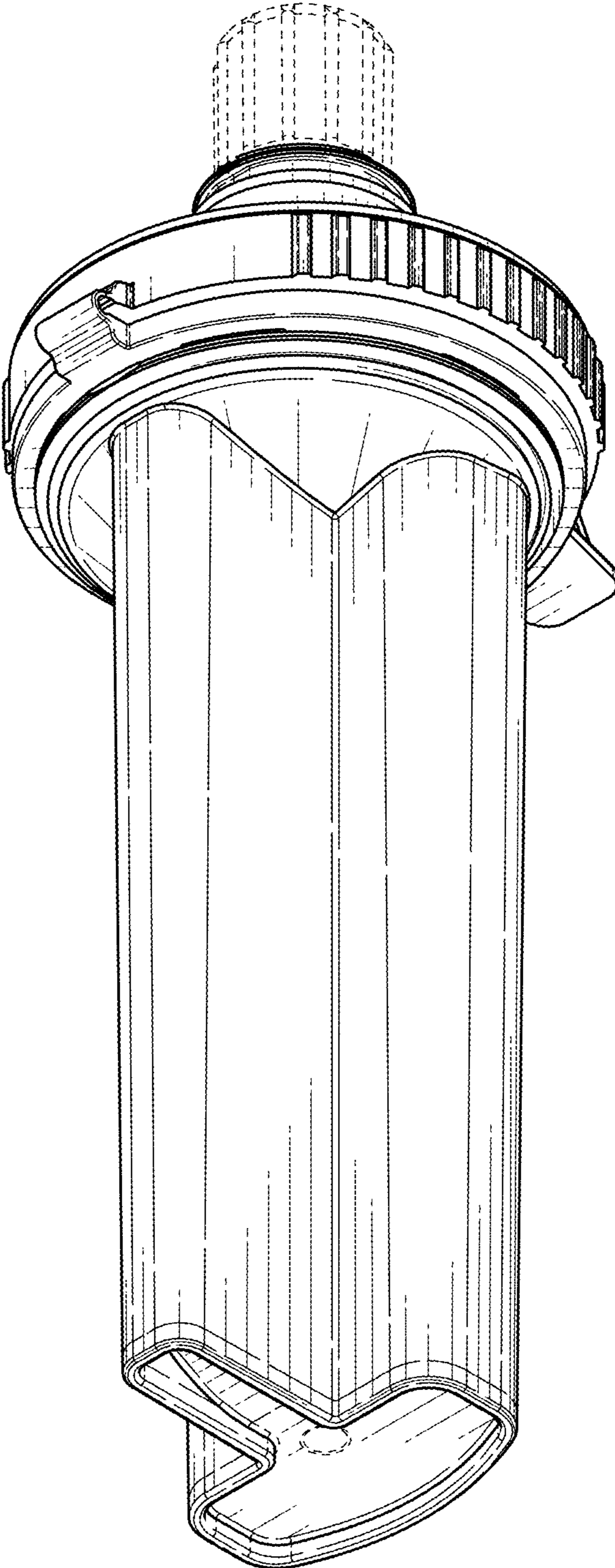


FIG. 10