



US00D923193S

(12) **United States Design Patent**
Zhou

(10) **Patent No.:** **US D923,193 S**
(45) **Date of Patent:** **** Jun. 22, 2021**

(54) **SEX TOY**

(71) Applicant: **GUANGZHOU ZHONGSHU E-COMMERCE CO., LTD.**,
Guangzhou (CN)

(72) Inventor: **Dan Zhou**, Shenzhen (CN)

(73) Assignee: **GUANGZHOU ZHONGSHU E-COMMERCE CO., LTD.**,
Guangzhou (CN)

(**) Term: **15 Years**

(21) Appl. No.: **29/757,306**

(22) Filed: **Nov. 5, 2020**

(51) **LOC (13) Cl.** **28-03**

(52) **U.S. Cl.**
USPC **D24/215**; D24/214

(58) **Field of Classification Search**
USPC D24/105, 200, 214–216, 222, 224, 231;
600/35, 33, 38, 39, 40, 41, 581, 582, 573,
600/576, 577, 578, 580; 604/349, 350,
604/268, 271, 275–279, 523–525, 528,
604/515, 514, 519, 520, 261–266;
206/363, 364, 365, 438, 439; D30/199;
128/844, 918, 919, 842; 222/107, 494,
222/185.1, 466, 92; D7/669, 700;
D21/785, 786, 753; 601/15, 18, 19,
601/27–32, 46–52, 99, 112, 113, 118,
601/122, 125, 129, 134–137,
601/DIG. 12–DIG. 17
CPC A61H 19/44; A61H 19/34; A61H 19/40;
A61H 19/50; A61H 19/30; A61H
2201/0153; A61H 2205/087; A61H 7/007;
A61H 7/001–003; A45D 26/00; A61F
6/04; A61F 6/12; A61F 6/18; A61F
2006/043; A61F 2006/045; A61F
2006/046; A61F 2006/047; A61F
2006/048; Y10S 128/918; Y10S 128/919;
A61D 19/02; A61D 19/027; A61D

19/022; A61D 19/021; A61D 19/00;
A61D 19/024; A61D 19/025; A61D
19/028; A61D 19/04; A61B 2017/00761;
A61B 17/43; A61B 17/425; A63D 9/00
See application file for complete search history.

(56) **References Cited**

U.S. PATENT DOCUMENTS

649,745 A *	5/1900	Niemeyer	A63D 9/00 473/122
940,341 A *	11/1909	Merklen	A63D 9/00 473/123
1,053,957 A *	2/1913	Siedel	A63D 9/00 473/121
3,237,945 A *	3/1966	Isenberg	A63D 9/00 473/123
3,246,896 A *	4/1966	Nichols	A63D 9/00 473/123

(Continued)

Primary Examiner — Susan Moon Lee

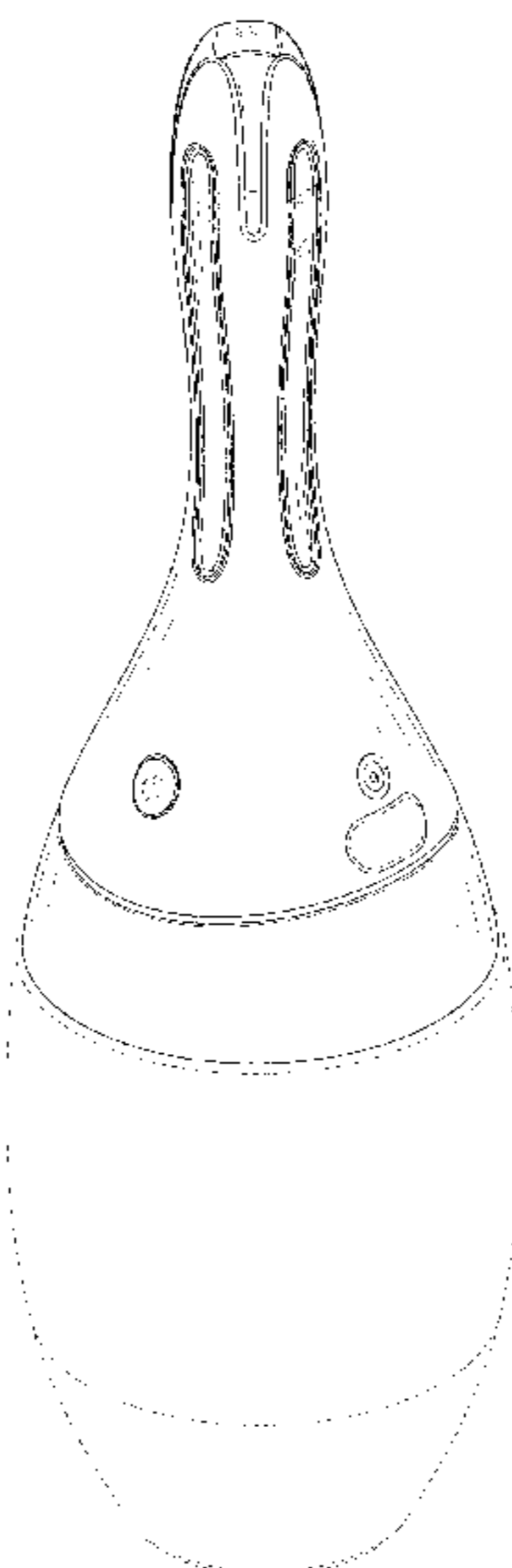
(57) **CLAIM**

The ornamental design for a sex toy, as shown and described.

DESCRIPTION

FIG. 1 is a perspective view of a sex toy showing my new design;
FIG. 2 is another perspective view thereof;
FIG. 3 is a front elevational view thereof;
FIG. 4 is a rear elevational view thereof;
FIG. 5 is a left side elevational view thereof;
FIG. 6 is a right side elevational view thereof;
FIG. 7 is a top plan view thereof;
FIG. 8 is a bottom plan view thereof; and,
FIG. 9 is an exploded perspective view of the sex toy.
The broken lines in the drawings depict portions of the sex toy that form no part of the claimed design.

1 Claim, 9 Drawing Sheets



(56)

References Cited

U.S. PATENT DOCUMENTS

3,248,114 A *	4/1966	Ponemon	A63D 9/00	5,080,842 A *	1/1992	Jager	A63D 9/00
			473/120				264/235
3,248,115 A *	4/1966	Conklin	A63D 9/00	5,354,239 A *	10/1994	Mueller	A63D 9/00
			473/123				264/274
3,257,113 A *	6/1966	Medney	A63D 9/00	5,569,093 A *	10/1996	Jager	A63D 9/00
			473/120				473/118
3,300,214 A *	1/1967	Nichols	A63D 9/00	5,595,542 A *	1/1997	Jager	A63D 9/00
			473/120				473/118
3,301,560 A *	1/1967	Satchell et al.	A63D 9/00	5,651,740 A *	7/1997	Munoz	A63B 59/50
			473/121				473/118
3,353,258 A *	11/1967	Bolton	A63D 9/00	5,655,970 A *	8/1997	Jager	A63D 9/00
			228/182				473/118
3,402,932 A *	9/1968	Conklin	A63D 9/00	5,888,144 A *	3/1999	Jager	B29C 66/1162
			473/120				473/118
3,404,885 A *	10/1968	Smith	A63D 9/00	D419,378 S *	1/2000	Madden	D7/510
			473/123	D419,630 S *	1/2000	Albarelli, Jr.	D21/786
3,445,113 A *	5/1969	Satchell	A63D 9/00	6,478,686 B1 *	11/2002	Chen	A63D 9/00
			473/121				473/119
3,482,836 A *	12/1969	Smith	A63D 9/00	6,666,775 B2 *	12/2003	Jager	A63D 9/00
			473/123				473/119
3,520,969 A *	7/1970	Smith	A63D 9/00	7,014,565 B2 *	3/2006	Chang	A63D 9/00
			264/262				362/253
3,521,884 A *	7/1970	Mezoff	A63D 9/00	7,052,406 B2 *	5/2006	Suzuki	A63D 9/00
			473/121				264/275
3,572,710 A *	3/1971	Negrini	A63D 9/00	D607,116 S *	12/2009	Morganstern	D24/211
			473/119	D637,728 S *	5/2011	Sevier	D24/211
3,580,577 A *	5/1971	Hyde	A63D 9/00	D693,476 S *	11/2013	Spietz	D24/215
			473/118	D713,538 S *	9/2014	Van Valen	D24/209
3,598,410 A *	8/1971	Costopoulos	A63D 9/00	D755,314 S *	5/2016	Williams	D21/725
			473/120	D792,980 S *	7/2017	Olivares	D24/215
3,704,016 A *	11/1972	Berry	A63D 9/00	D837,995 S	1/2019	Josselyn	
			473/123	D844,803 S *	4/2019	Liu	D24/215
D247,920 S *	5/1978	Dykehouse	473/118	D857,196 S *	8/2019	Powell	D24/133
4,104,352 A *	8/1978	Morgan	A63D 9/00	D857,222 S *	8/2019	Liu	D24/215
			264/248	D865,983 S *	11/2019	Huang	D24/211
4,165,875 A *	8/1979	Dykehouse	A63D 9/00	D879,992 S	3/2020	Li	
			473/123	D888,266 S *	6/2020	Zhou	D24/215
4,210,992 A *	7/1980	Murray	A63D 9/00	D898,937 S *	10/2020	Haddock	D24/215
			156/245	D906,534 S *	12/2020	Li	D24/215
4,630,820 A *	12/1986	Bertozzi	A63D 9/00	D906,535 S *	12/2020	Li	D24/215
			264/275	D907,231 S *	1/2021	Zhou	D24/215
4,971,322 A *	11/1990	Jager	A63D 9/00	D908,904 S *	1/2021	Liu	D24/215
			473/120	D908,909 S *	1/2021	Huang	D24/215
				2002/0115493 A1 *	8/2002	Jager	A63D 9/00
							473/118
				2020/0078590 A1 *	3/2020	Bachinski	A61N 1/0456

* cited by examiner

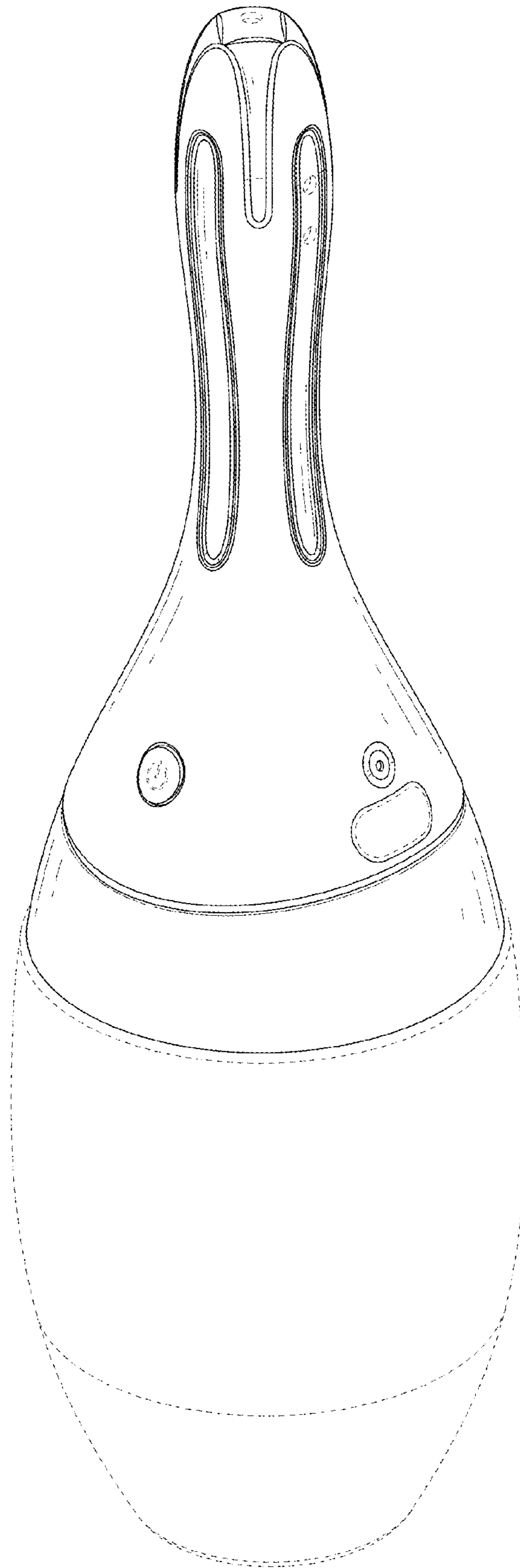


FIG. 1

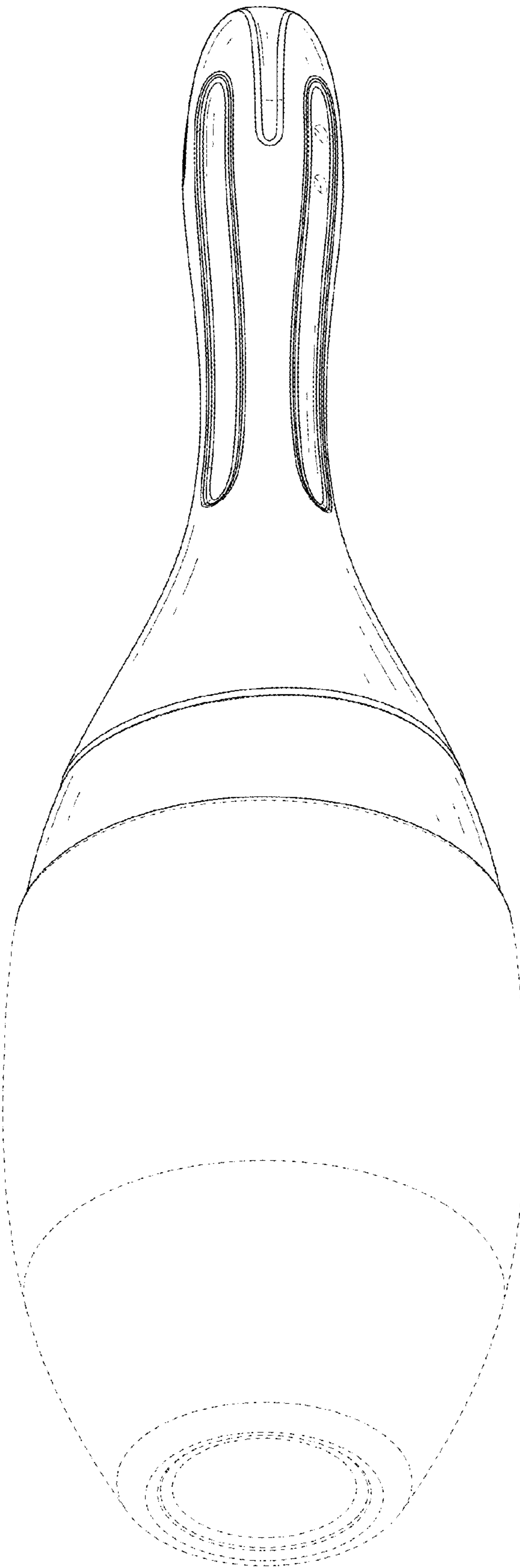


FIG. 2

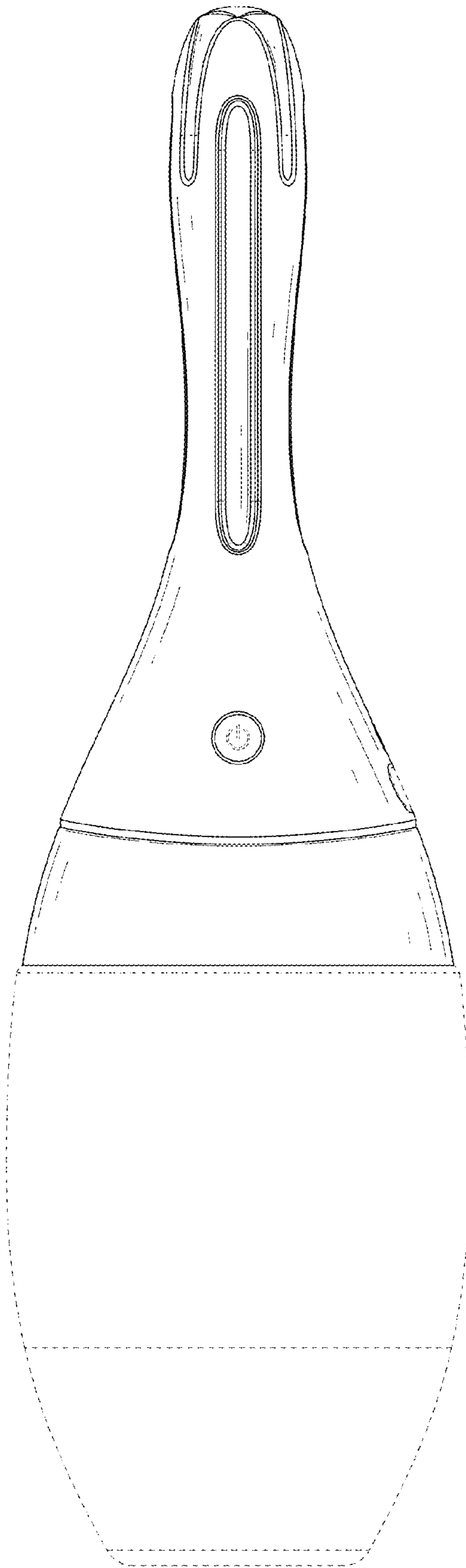


FIG. 3

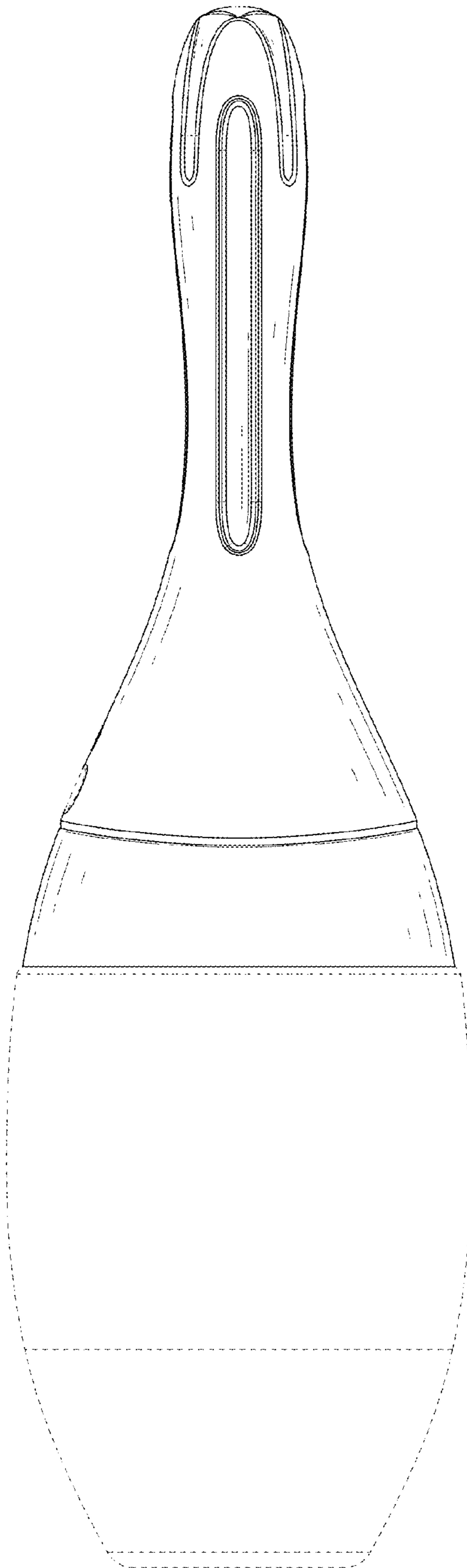


FIG. 4

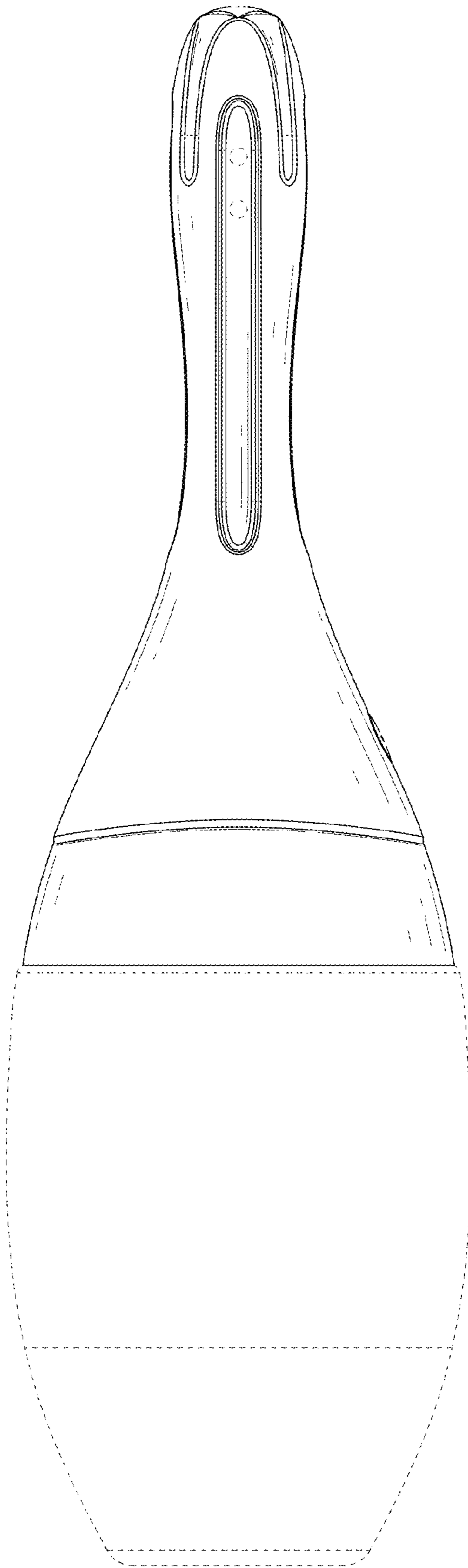


FIG. 5

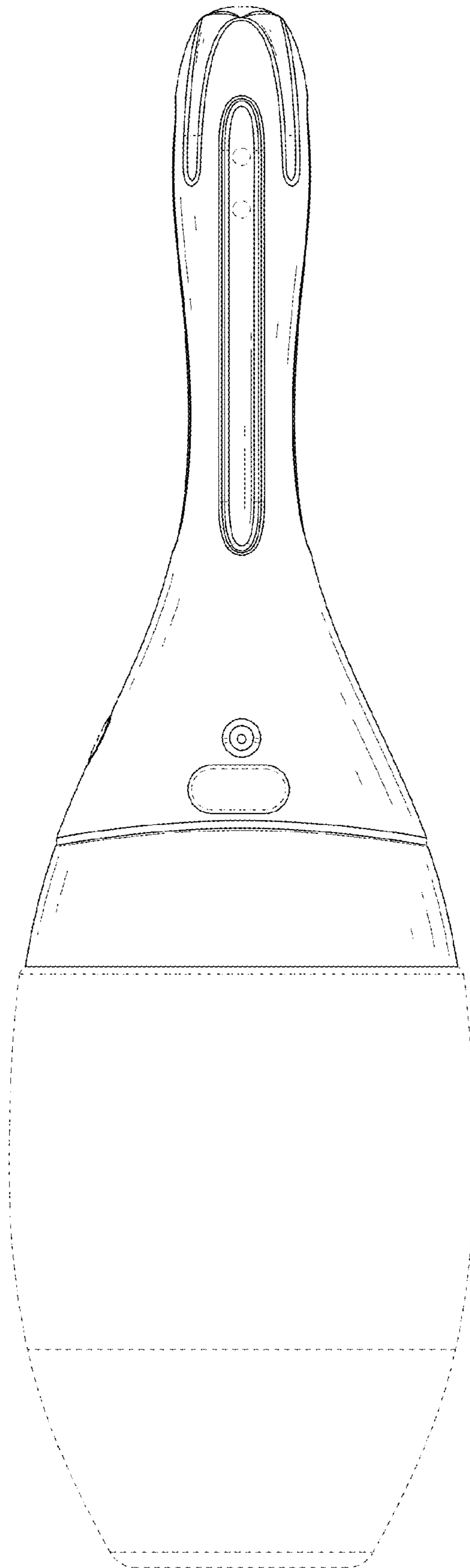


FIG. 6

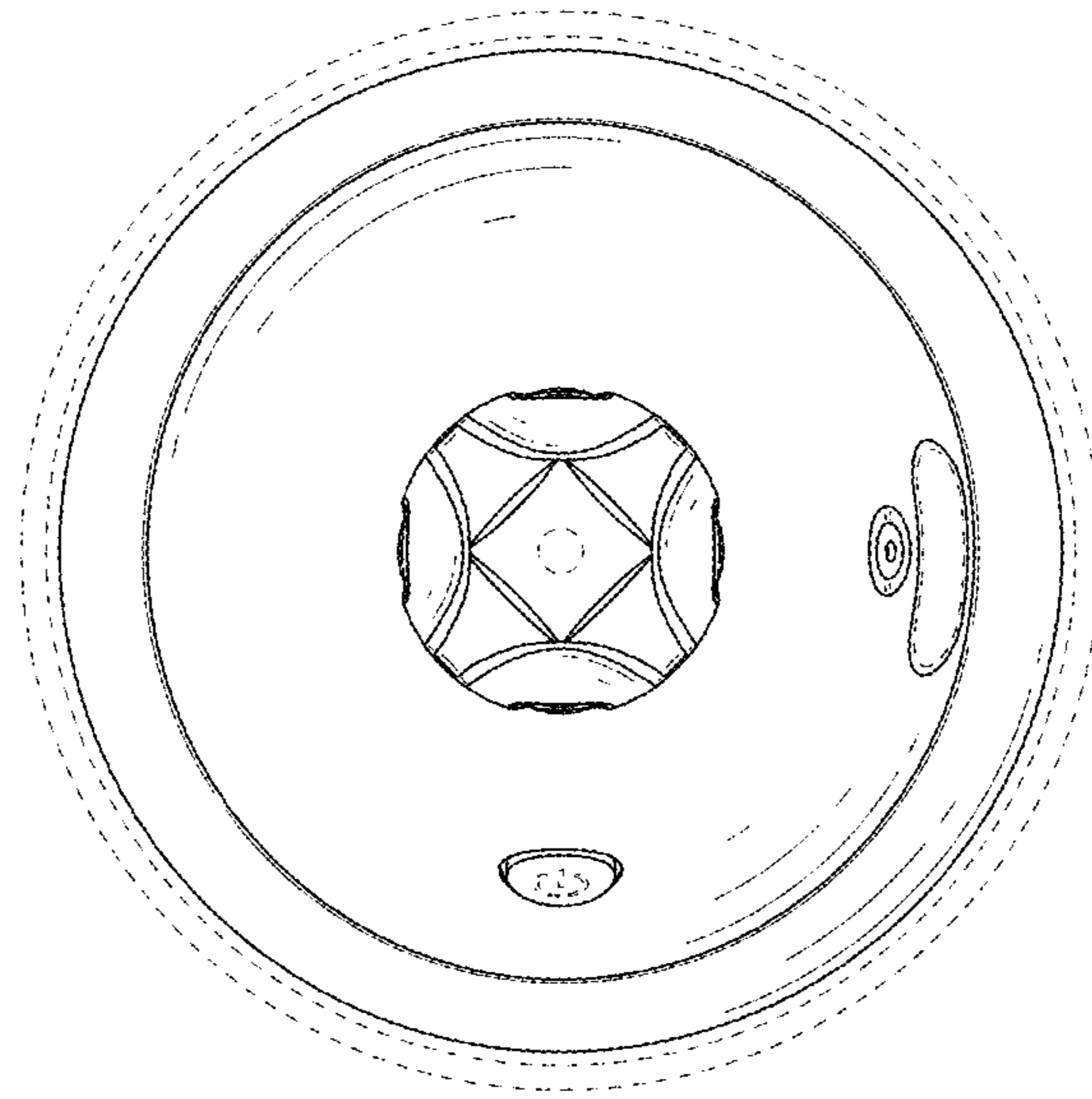


FIG. 7

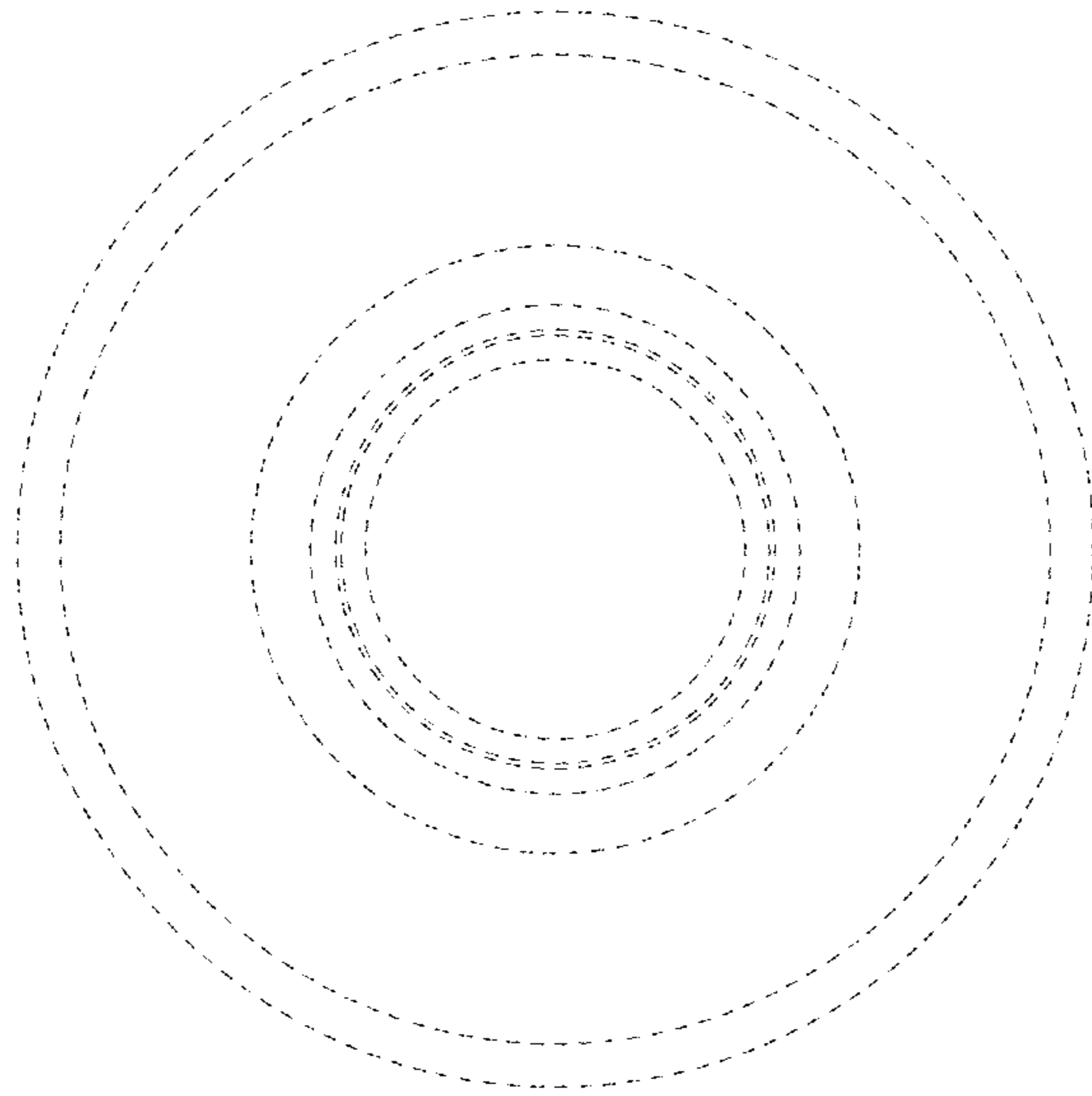


FIG. 8

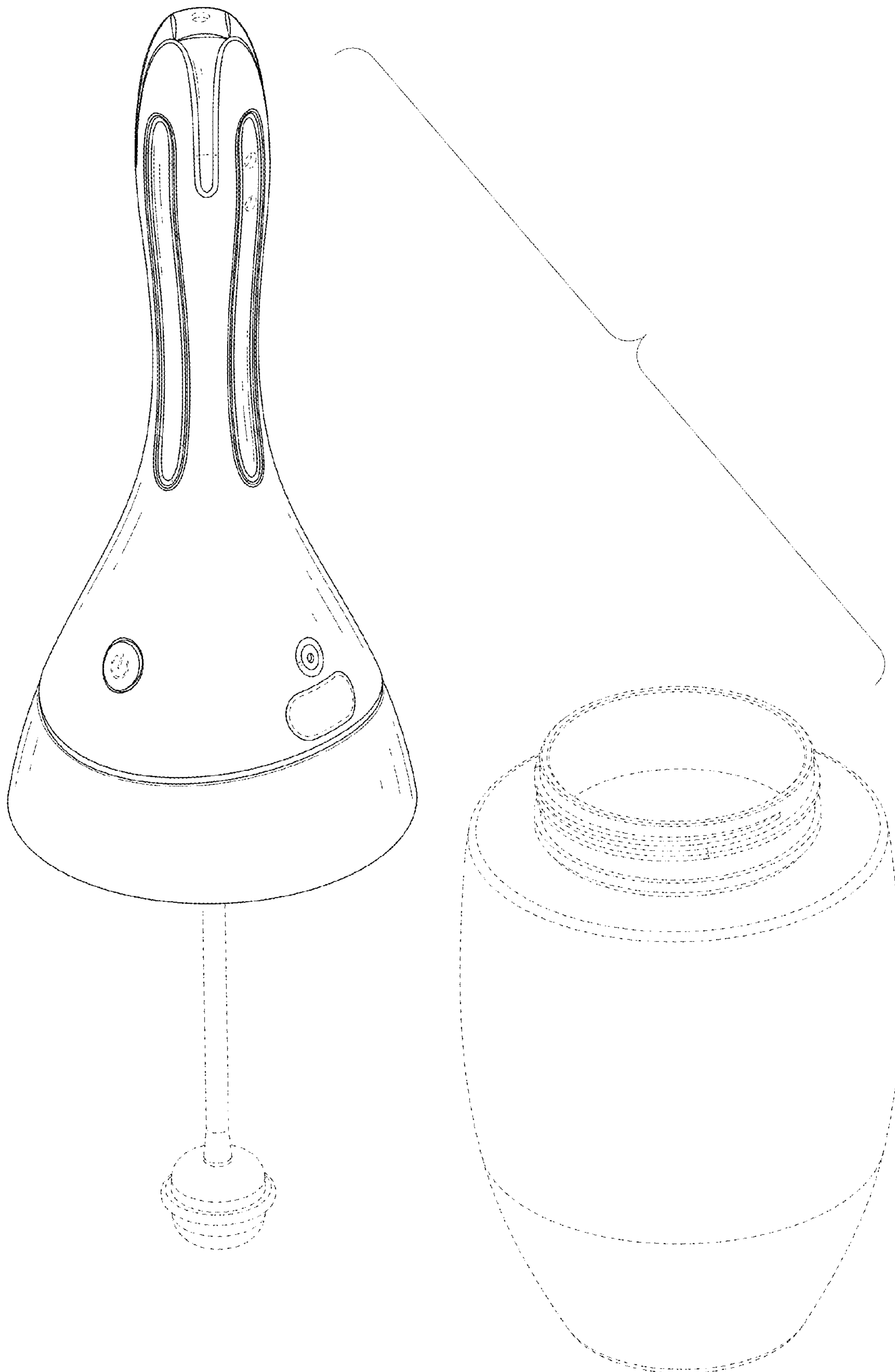


FIG. 9