



US00D923191S

(12) **United States Design Patent** (10) **Patent No.:** **US D923,191 S**
Park (45) **Date of Patent:** **** Jun. 22, 2021**

(54) **MASSAGER**
(71) Applicant: **Homelec Co., Ltd.**, Hwaseong (KR)
(72) Inventor: **Kun Woo Park**, Hwaseong (KR)
(73) Assignee: **HOMELEC CO., LTD.**, Hwaseong (KR)
(**) Term: **15 Years**
(21) Appl. No.: **29/726,064**
(22) Filed: **Feb. 28, 2020**

D349,576 S * 8/1994 Heiligenstein D24/200
D349,771 S * 8/1994 Heiligenstein D24/200
D350,608 S * 9/1994 Yu D24/211
D356,162 S * 3/1995 Spahr D24/215
D374,934 S * 10/1996 Lie D24/215
5,569,168 A * 10/1996 Hartwig A61H 7/005
601/103
D388,175 S * 12/1997 Lie D24/215
D391,645 S * 3/1998 Chien D24/211
D415,569 S * 10/1999 Wyrwa D24/211
6,165,145 A * 12/2000 Noble A61H 23/0254
601/103
D435,913 S * 1/2001 Harris D24/214
D438,308 S * 2/2001 Harris D24/214
D445,196 S * 7/2001 Gladieux, III D24/211

(Continued)

(30) **Foreign Application Priority Data**

Aug. 29, 2019 (KR) 30-2019-0041393

(51) **LOC (13) Cl.** **28-03**
(52) **U.S. Cl.**
USPC **D24/215**
(58) **Field of Classification Search**
USPC D24/200, 211, 212, 213, 214, 215;
D28/45
CPC A61H 2201/0153; A61H 7/001; A61H
7/003; A61H 7/007; A61H 23/0254
See application file for complete search history.

(56) **References Cited**

U.S. PATENT DOCUMENTS

D223,418 S * 4/1972 Hess D24/214
D226,583 S * 3/1973 Welch D24/214
D266,532 S * 10/1982 Grube D24/211
D281,625 S * 12/1985 Yuen D24/211
D301,617 S * 6/1989 Yonesawa D24/211
5,088,474 A * 2/1992 Mabuchi A61H 7/001
601/110
D331,467 S * 12/1992 Wollman D24/200
D333,351 S * 2/1993 Tsou D24/206
5,187,827 A * 2/1993 Wei A46B 13/06
15/22.1
D334,430 S * 3/1993 Tsou D24/214

OTHER PUBLICATIONS

Amazon, "Thumper Mini Massager", Jan. 6, 2014. https://www.amazon.com/Thumper-6125-Mini-Pro/dp/B0056PSMOA/ref=cm_cr_ar_p_d_product_top?ie=UTF8. Shown on p. 1. (Year: 2014).*

Primary Examiner — Cynthia Ramirez
Assistant Examiner — Michael A Maharajh
(74) *Attorney, Agent, or Firm* — Rabin & Berdo, P.C.

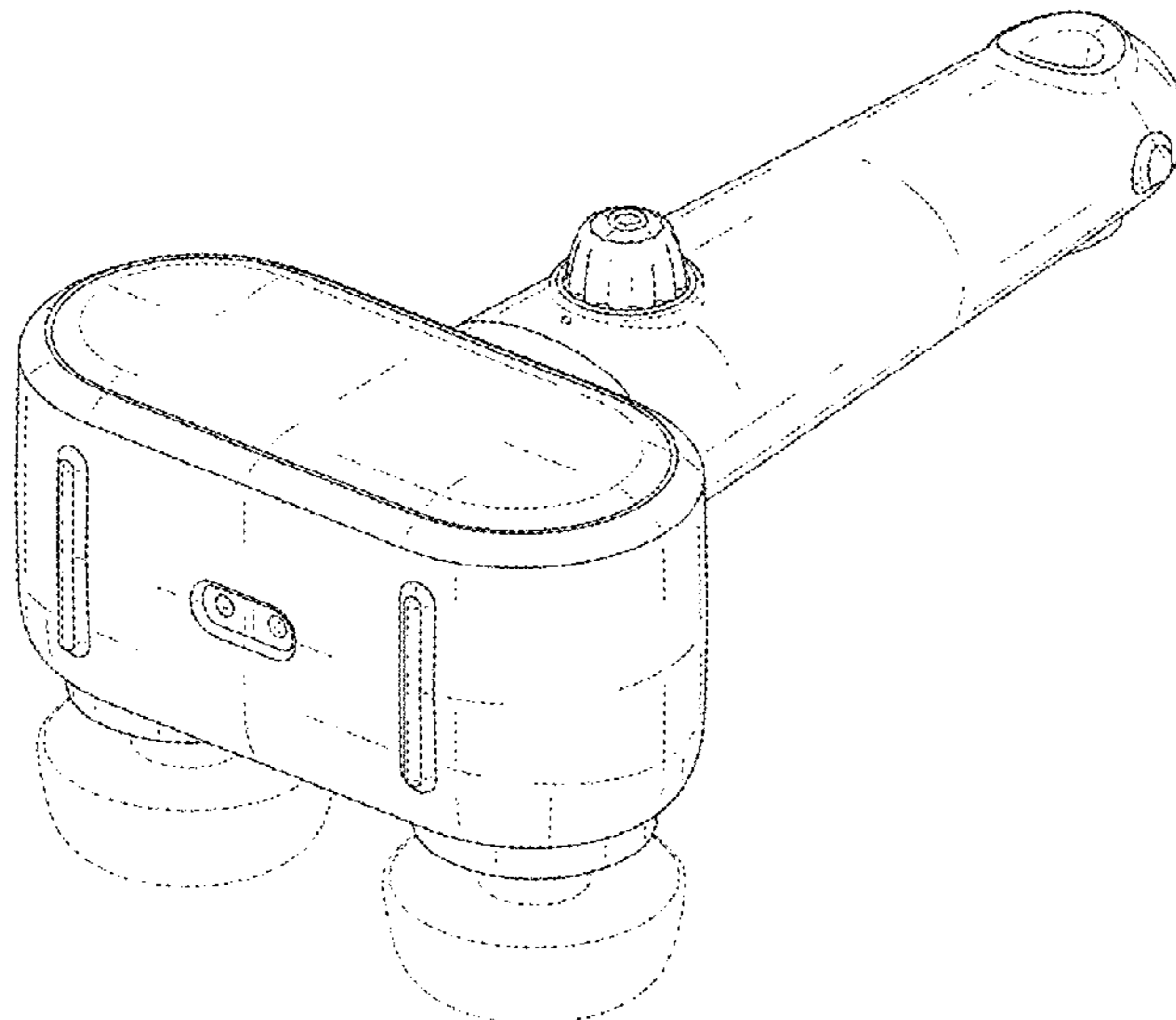
(57) **CLAIM**

The ornamental design for a massager, as shown and described.

DESCRIPTION

FIG. 1 is a perspective view of a massager;
FIG. 2 is a front view thereof;
FIG. 3 is a rear view thereof;
FIG. 4 is a left side view thereof;
FIG. 5 is a right side view thereof;
FIG. 6 is a top view thereof; and,
FIG. 7 is a bottom view thereof.
The broken lines depict portions of the massager that form no part of the claimed design.

1 Claim, 5 Drawing Sheets



(56)

References Cited

U.S. PATENT DOCUMENTS

D445,508	S	*	7/2001	Gladieux, III	D24/211
D455,499	S	*	4/2002	Kim	D24/214
D463,862	S	*	10/2002	Lau	D24/214
D478,385	S	*	8/2003	Dirks	D24/215
D510,441	S	*	10/2005	Harris, Jr.	D24/214
D559,992	S	*	1/2008	Potter	D24/214
D609,817	S	*	2/2010	Piller	D24/215
D628,304	S	*	11/2010	Aulwes	D24/214
D649,657	S	*	11/2011	Petersen	D24/215
D823,478	S	*	7/2018	Park	D24/215
D837,395	S	*	1/2019	Gan	D24/214
D842,491	S	*	3/2019	Fleming	D24/215
D847,362	S	*	4/2019	Tang	D24/215
D847,363	S	*	4/2019	Aulwes	D24/215
D848,017	S	*	5/2019	Zheng	D24/215
D852,971	S	*	7/2019	Gan	D24/211
D855,197	S	*	7/2019	Park	D24/214
D863,574	S	*	10/2019	Yan	D24/200
D864,407	S	*	10/2019	Zhou	D24/215
D872,295	S	*	1/2020	Friedman	D24/215
D884,206	S	*	5/2020	Haddock	D24/215
D884,914	S	*	5/2020	Gao	D24/215
D899,615	S	*	10/2020	Lin	D24/214
D900,329	S	*	10/2020	Xu	D24/215
2010/0274162	A1	*	10/2010	Evans	A61H 15/0092 601/15

* cited by examiner

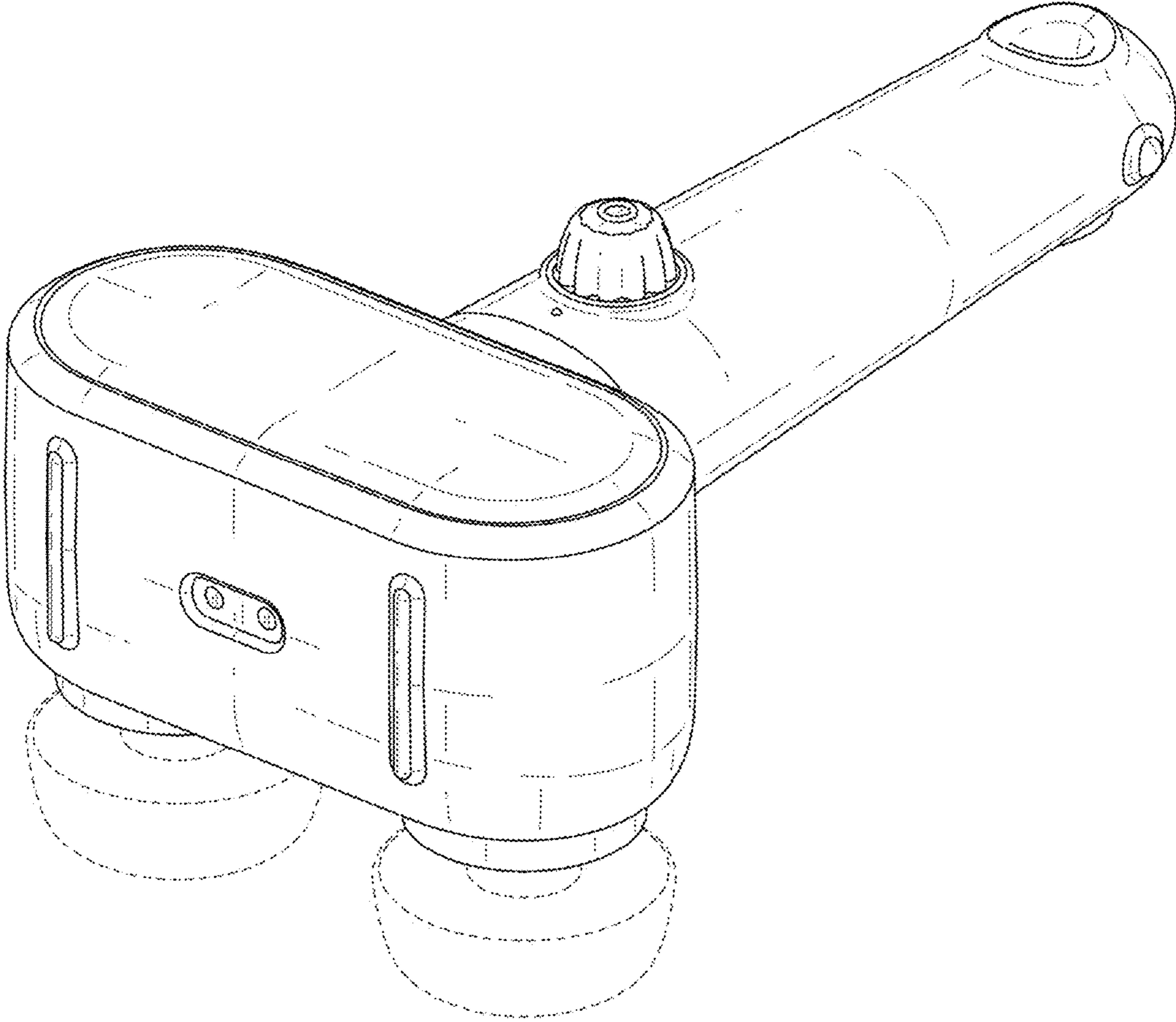


FIG. 1

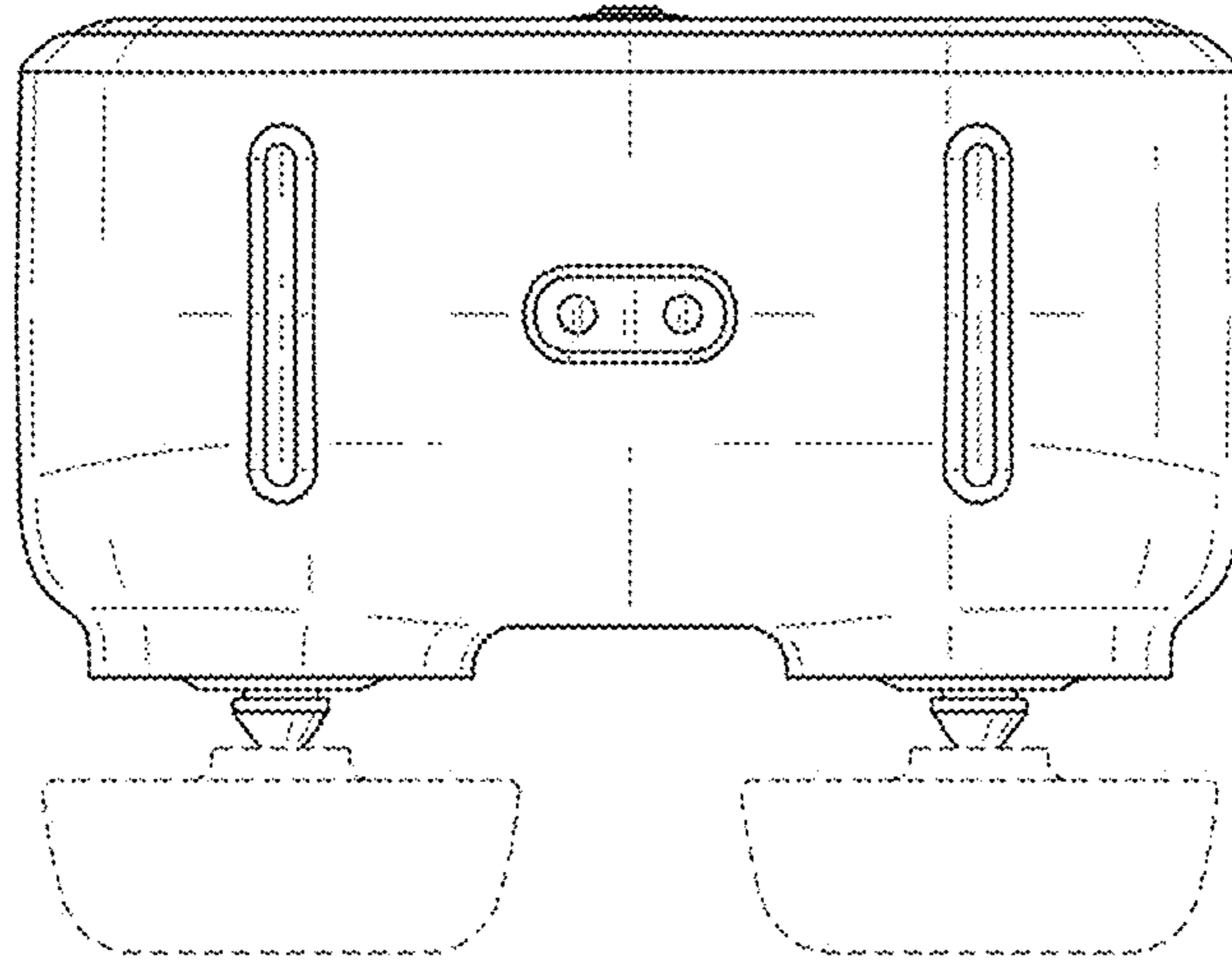


FIG. 2

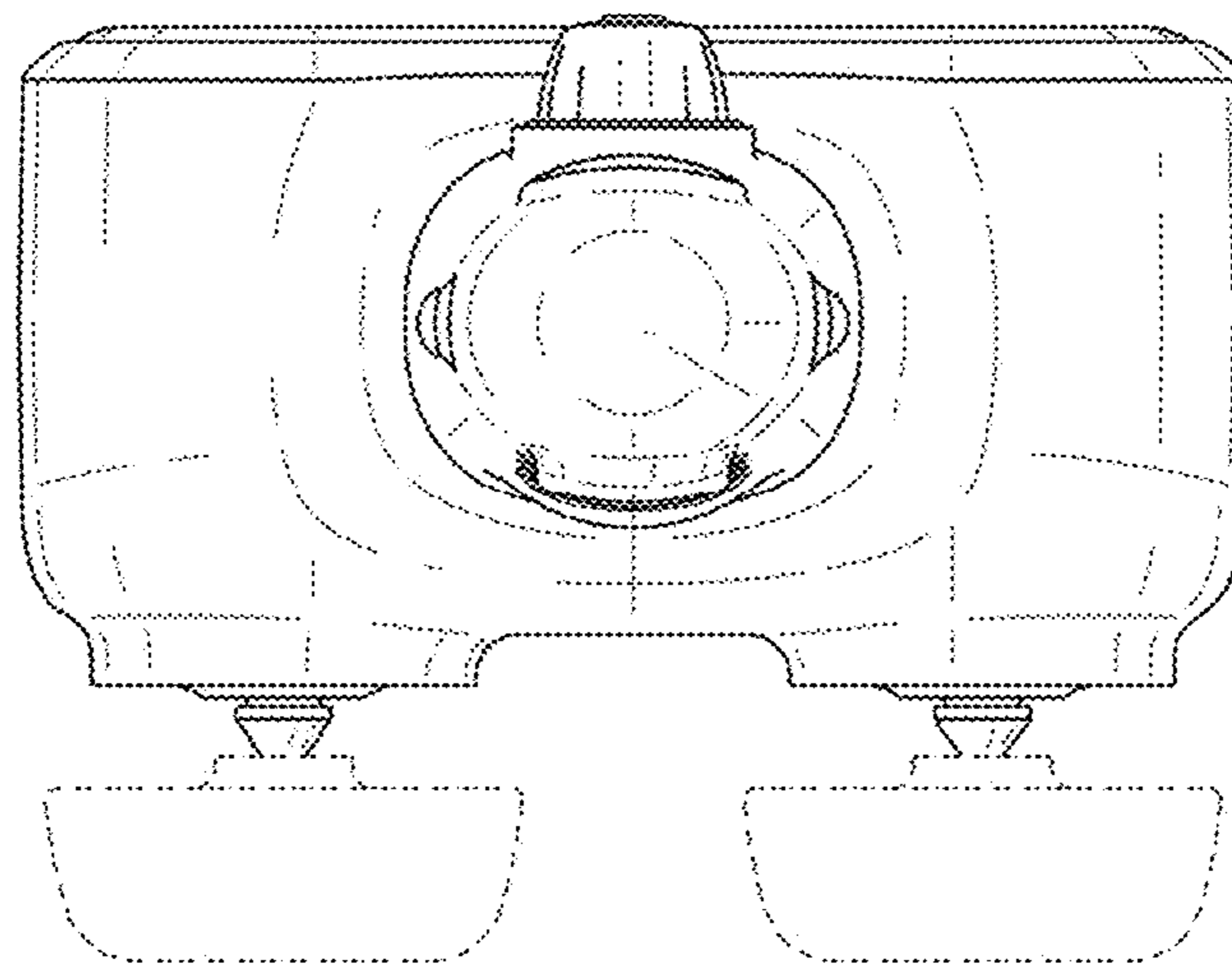


FIG. 3

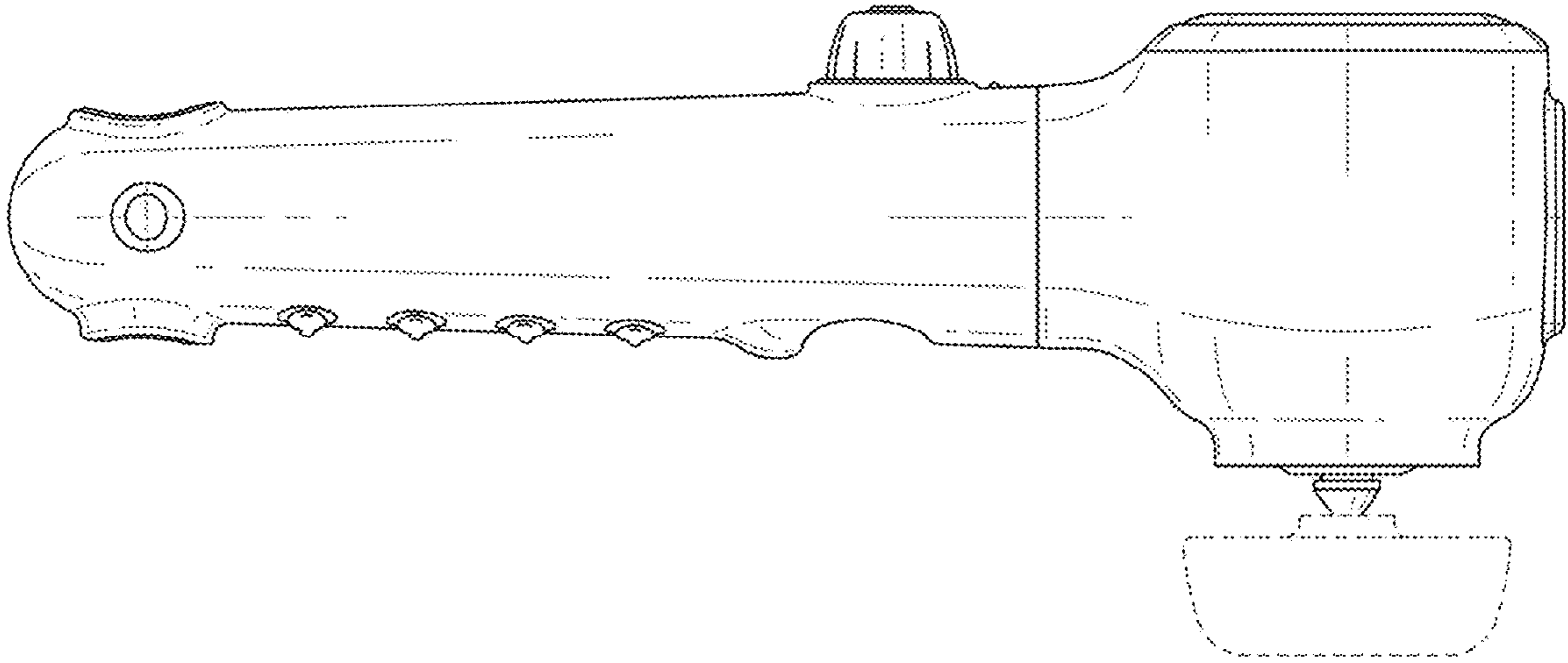


FIG. 4

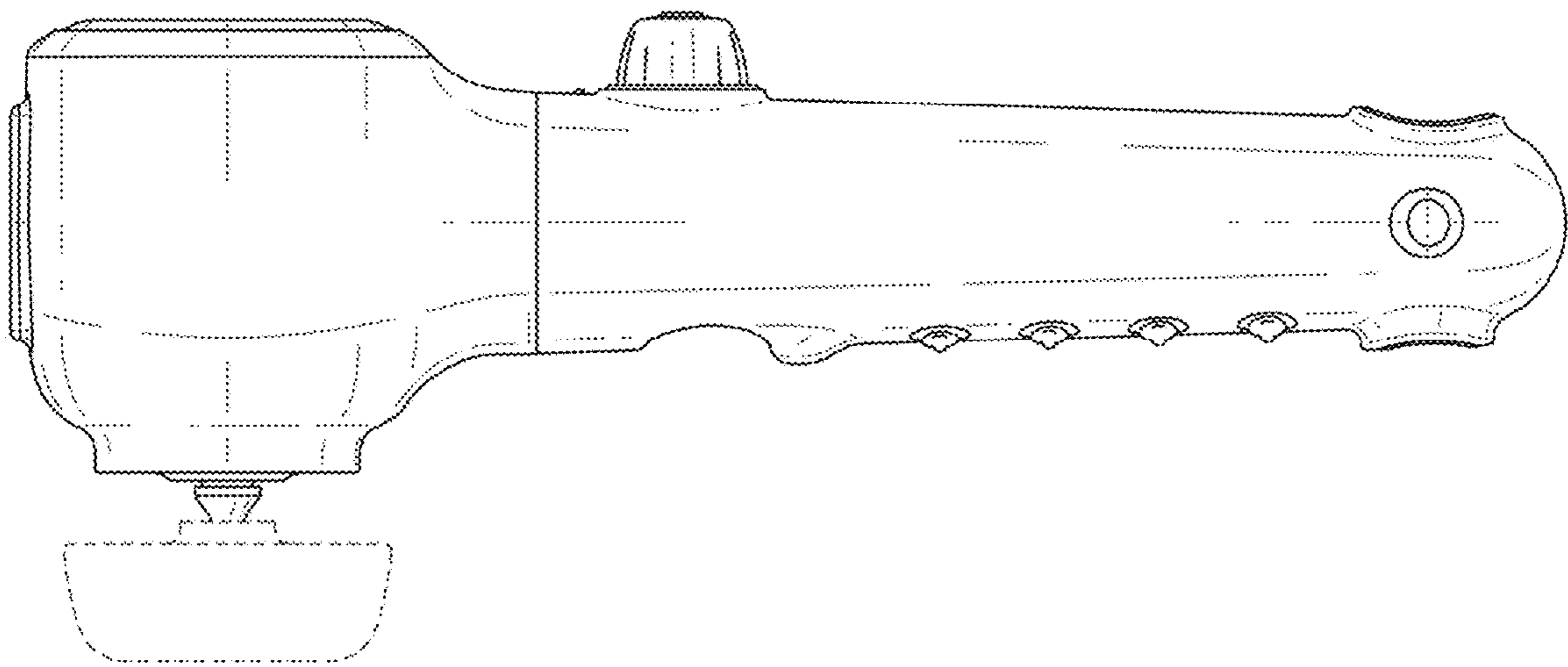


FIG. 5

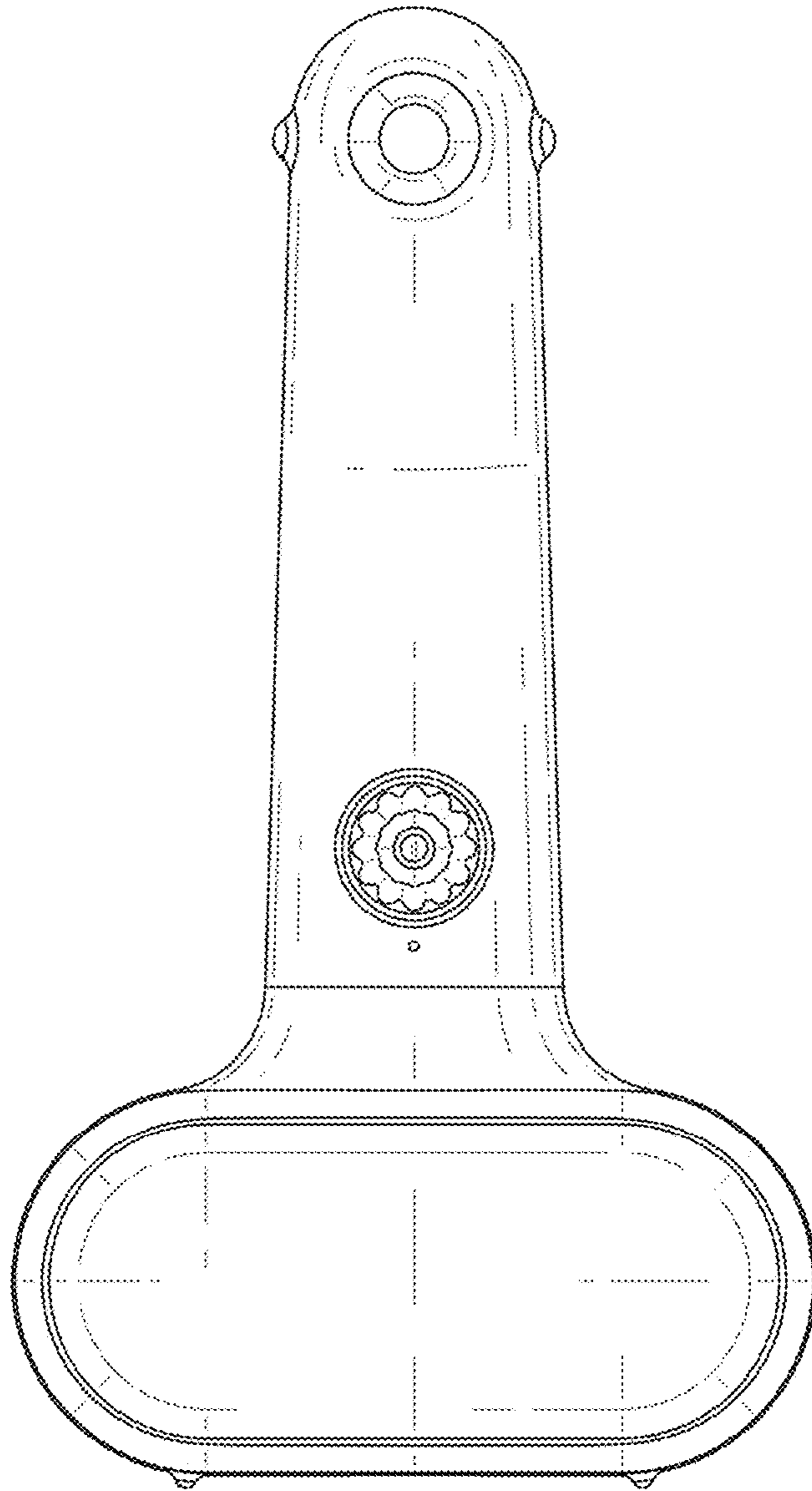


FIG. 6

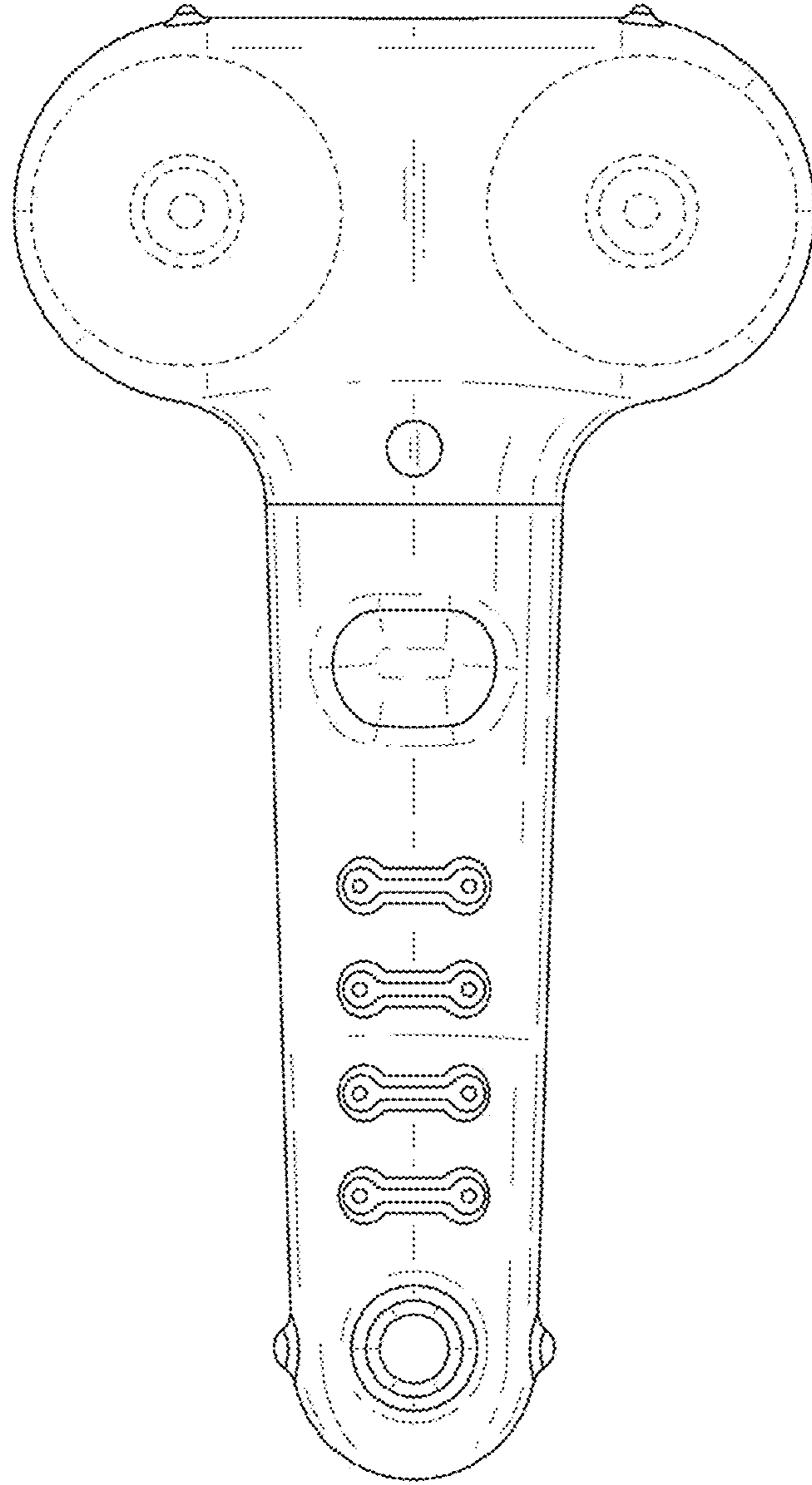


FIG. 7