



US00D923189S

(12) **United States Design Patent** (10) **Patent No.:** **US D923,189 S**
Cai (45) **Date of Patent:** **** Jun. 22, 2021**

(54) **FOOT MASSAGER**
(71) Applicant: **Weijie Cai**, Singapore (SG)
(72) Inventor: **Weijie Cai**, Singapore (SG)
(**) Term: **15 Years**
(21) Appl. No.: **29/706,801**
(22) Filed: **Sep. 24, 2019**

(30) **Foreign Application Priority Data**

Mar. 25, 2019 (HK) 1913296.2

(51) **LOC (13) Cl.** **28-03**

(52) **U.S. Cl.**
USPC **D24/213**

(58) **Field of Classification Search**
USPC D24/192, 200, 204, 211, 212, 213, 214,
D24/215
CPC A61H 2205/12; A61H 15/00; A61H
2205/125; A61H 2001/027; A61H 7/007
See application file for complete search history.

(56) **References Cited**

U.S. PATENT DOCUMENTS

3,965,495 A * 6/1976 McNair A61H 35/006
4/622
D280,934 S * 10/1985 MacGregor D24/211
D329,499 S * 9/1992 Ohashi D24/213
D340,116 S * 10/1993 Ohashi D24/200
D340,529 S * 10/1993 Ohashi D24/200
D345,804 S * 4/1994 Chin-Chi D24/200
D352,555 S * 11/1994 Hsieh D24/200
D358,656 S * 5/1995 Chang D24/200
D363,555 S * 10/1995 Lie D24/213
D369,669 S * 5/1996 Hinoki D24/215
D379,661 S * 6/1997 You D24/213
D390,963 S * 2/1998 Scholpp D24/213
D405,535 S * 2/1999 Schulz D24/213
D430,937 S * 9/2000 Noble D24/213

D432,242 S * 10/2000 Lie D24/212
D436,180 S * 1/2001 Lie D24/213
D453,836 S * 2/2002 Gillette D24/213
D455,498 S * 4/2002 Gillette D24/213
6,385,795 B1 * 5/2002 Ferber A47K 3/022
4/622
D460,826 S * 7/2002 Lie D24/213
D463,030 S * 9/2002 Ferber D24/213
D471,638 S * 3/2003 Ferber D24/213

(Continued)

Primary Examiner — Cynthia Ramirez
Assistant Examiner — Michael A Maharajh
(74) *Attorney, Agent, or Firm* — Baker & McKenzie LLP

(57) **CLAIM**

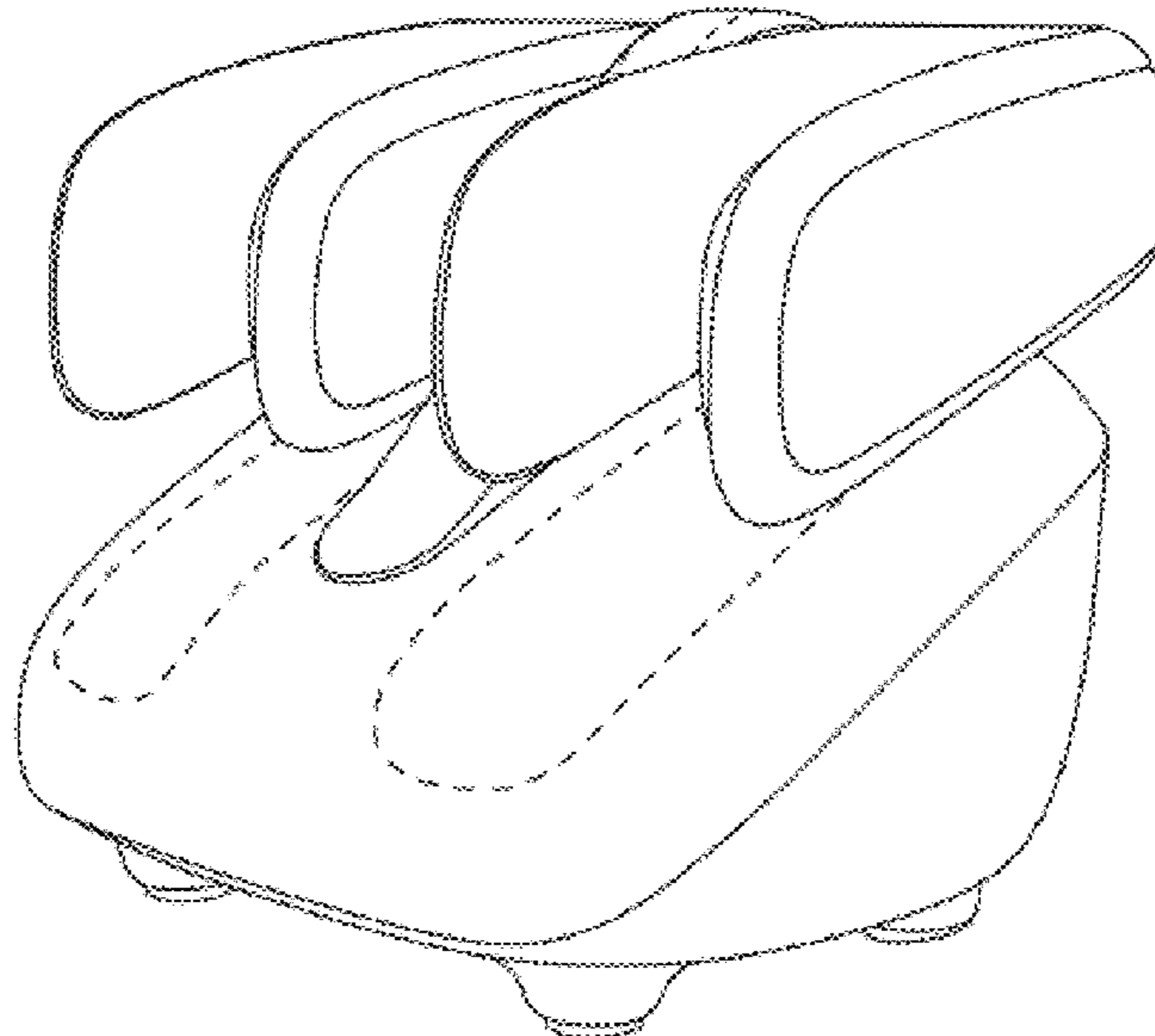
The ornamental design for a foot massager, as shown and described.

DESCRIPTION

FIG. 1 is a front perspective view of my new design;
FIG. 2 is a back perspective view thereof;
FIG. 3 is a front elevation view thereof;
FIG. 4 is a back elevation view thereof;
FIG. 5 is a right elevation view thereof;
FIG. 6 is a left elevation view thereof;
FIG. 7 is a top plan view thereof;
FIG. 8 is a bottom plan view thereof;
FIG. 9 is a front perspective view of my new design in an extended position;
FIG. 10 is a back perspective view thereof;
FIG. 11 is a front elevation view thereof;
FIG. 12 is a back elevation view thereof;
FIG. 13 is a right elevation view thereof;
FIG. 14 is a left elevation view thereof;
FIG. 15 is a top plan view thereof; and,
FIG. 16 is a bottom plan view thereof.

The broken lines shown in the figures are for the purposes of illustrating portions of the foot massager, which forms no part of the claimed design.

1 Claim, 16 Drawing Sheets



(56)

References Cited

U.S. PATENT DOCUMENTS

D473,317 S *	4/2003	Lie	D24/213	D548,353 S *	8/2007	Maesawa	D24/212
D478,670 S *	8/2003	Tsai	D24/212	D569,004 S *	5/2008	Cafaro	D24/213
D487,514 S *	3/2004	Lie	D24/213	D584,826 S *	1/2009	Ng	D24/213
D487,515 S *	3/2004	Lie	D24/213	D590,065 S *	4/2009	Yuyama	D24/212
D504,178 S *	4/2005	Zolotnik	D24/213	D605,777 S *	12/2009	Galati, Jr.	D24/204
D506,830 S *	6/2005	Zimmermann	D24/204	D619,268 S *	7/2010	Sugiyama	D24/212
D518,182 S *	3/2006	Cafaro	D24/201	D625,021 S *	10/2010	Stoddard	D24/212
D523,560 S *	6/2006	Tsai	D24/212	D628,303 S *	11/2010	Hsu	D24/213
D524,947 S *	7/2006	Gleason	D24/213	D643,127 S *	8/2011	Lim	D24/213
D527,460 S *	8/2006	Kawamura	D24/200	D648,859 S *	11/2011	Ng	D24/212
D529,183 S *	9/2006	Cafaro	D24/213	D701,612 S *	3/2014	Robinson	D24/213
D531,732 S *	11/2006	Bean	D24/213	D717,962 S *	11/2014	Chen	D24/213
D535,402 S *	1/2007	Lifeng	D24/200	D880,711 S *	4/2020	Xu	D24/213
D535,751 S *	1/2007	Lifeng	D24/200	2003/0050578 A1 *	3/2003	Suh	A61H 9/0078 601/99
D537,949 S *	3/2007	Lie	D24/213	2003/0070222 A1 *	4/2003	Bastia	A61H 15/0078 4/622
D539,914 S *	4/2007	Park	D24/213	2007/0267020 A1 *	11/2007	Harris	A61H 23/00 128/205.24
D541,424 S *	4/2007	Cafaro	D24/212	2007/0299372 A1 *	12/2007	Chang	A61H 1/0266 601/28
D541,944 S *	5/2007	Chang	D24/213	2018/0133099 A1 *	5/2018	Wade	A61H 23/02
D542,927 S *	5/2007	Harris	D24/212					
D548,352 S *	8/2007	Maesawa	D24/212					

* cited by examiner

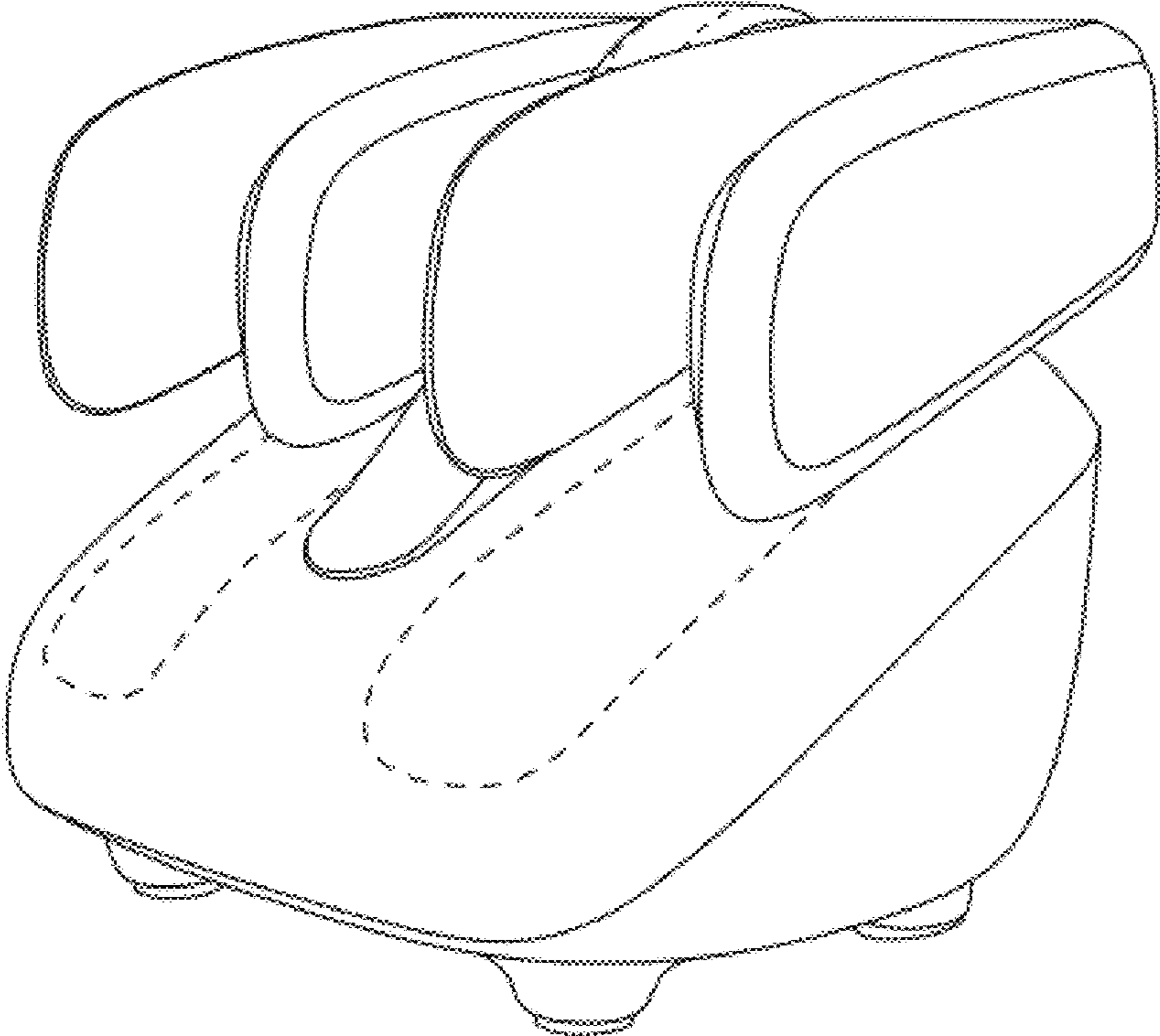


FIG. 1

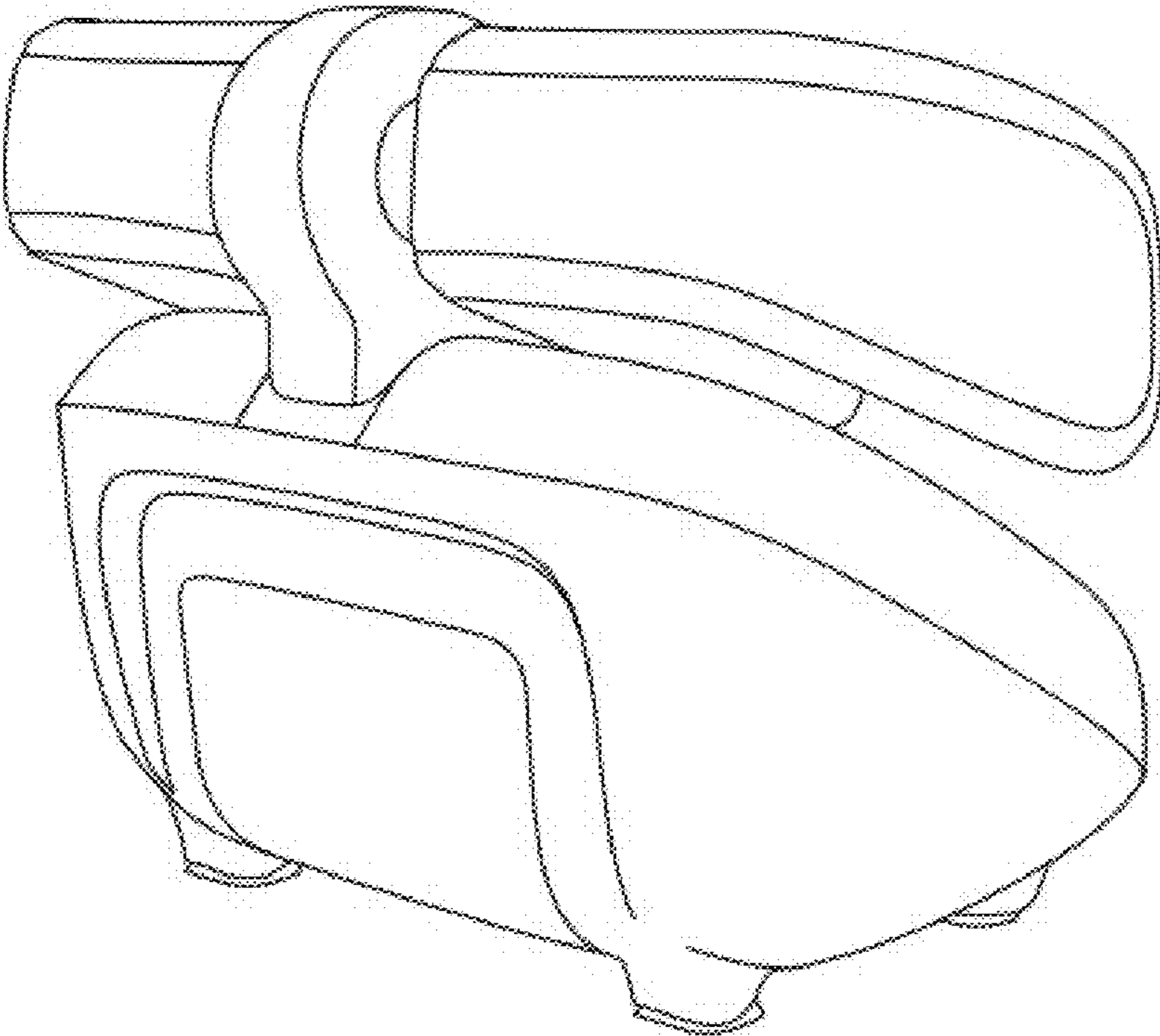


FIG. 2

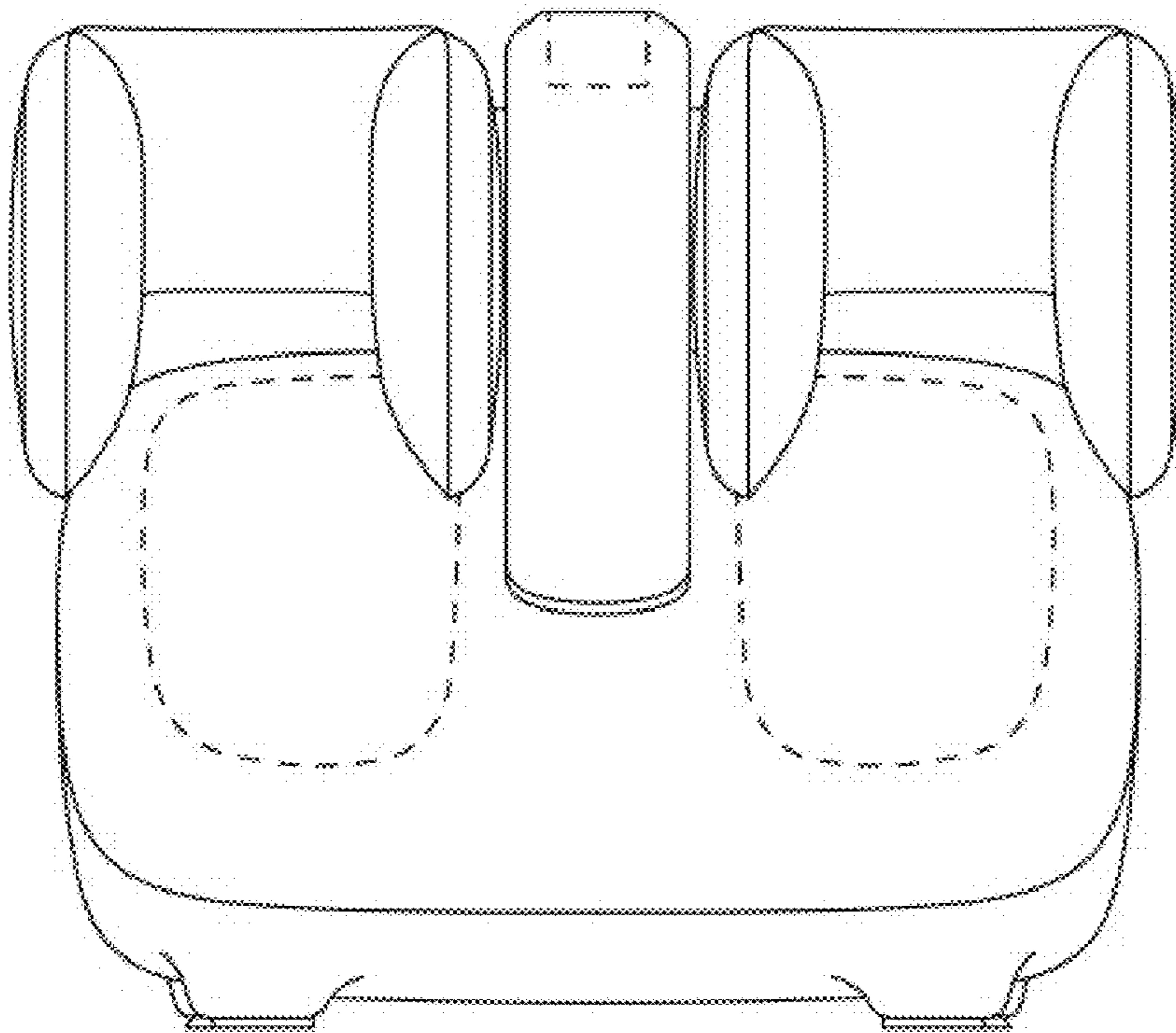


FIG. 3

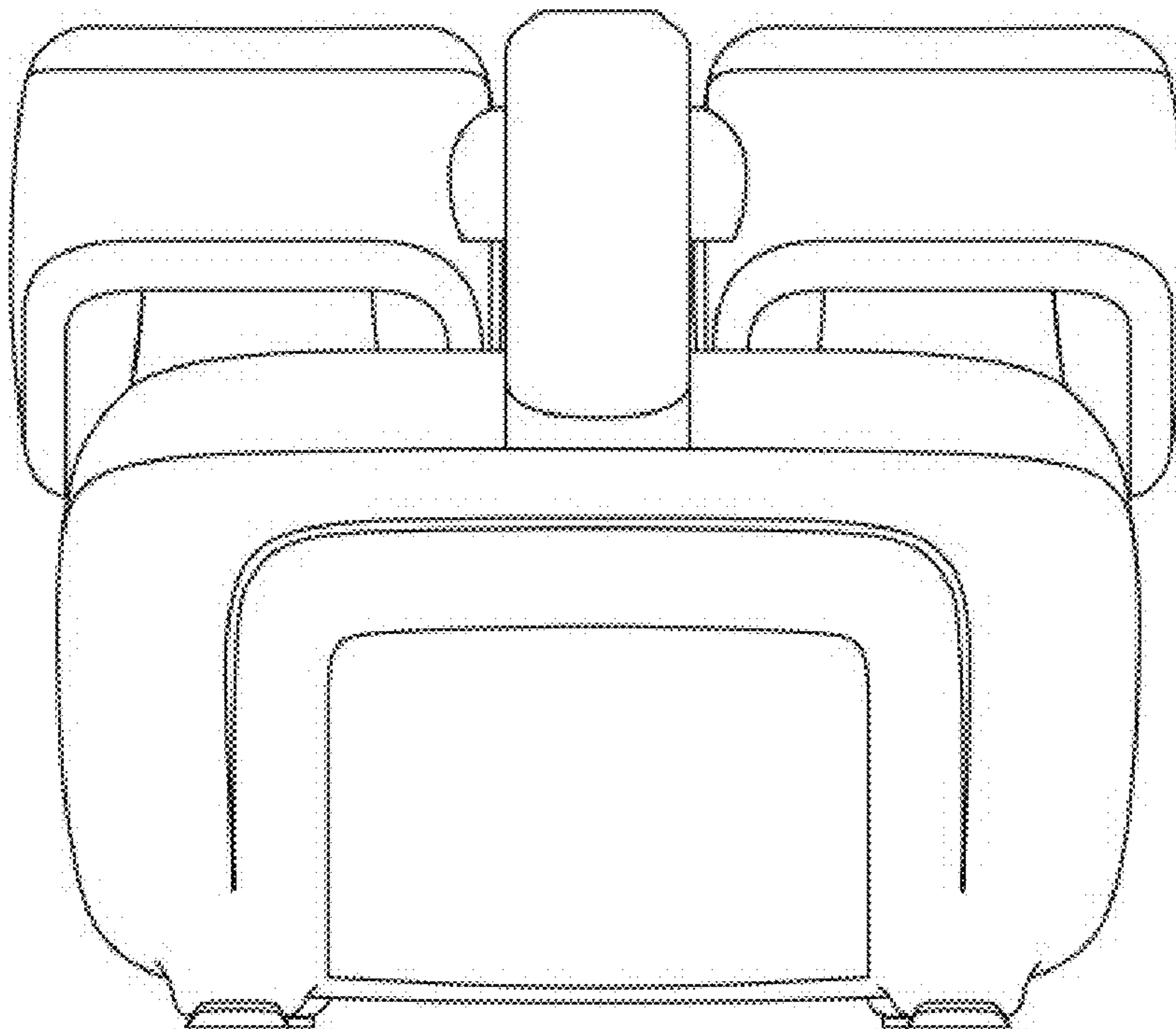


FIG. 4

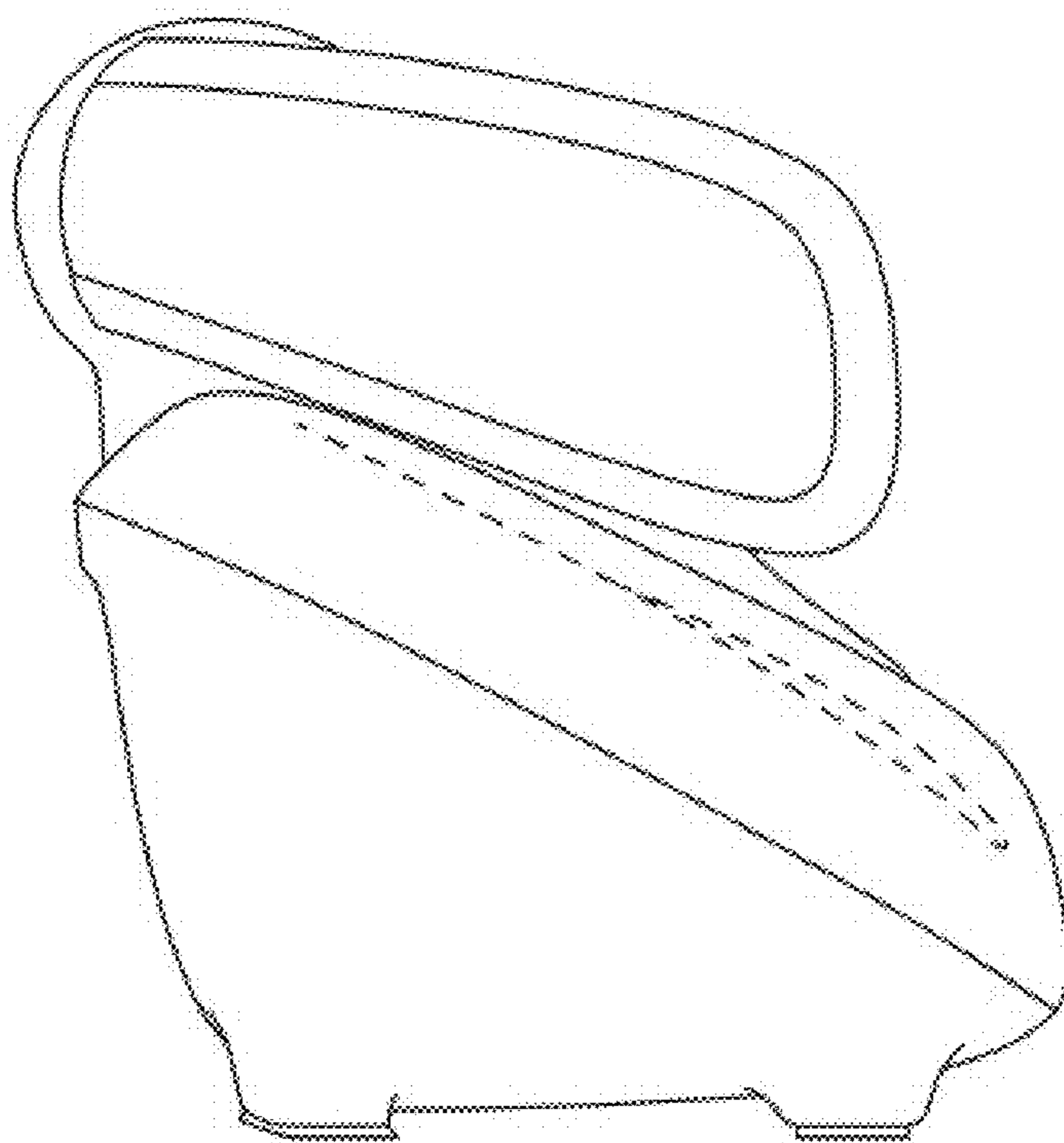


FIG. 5

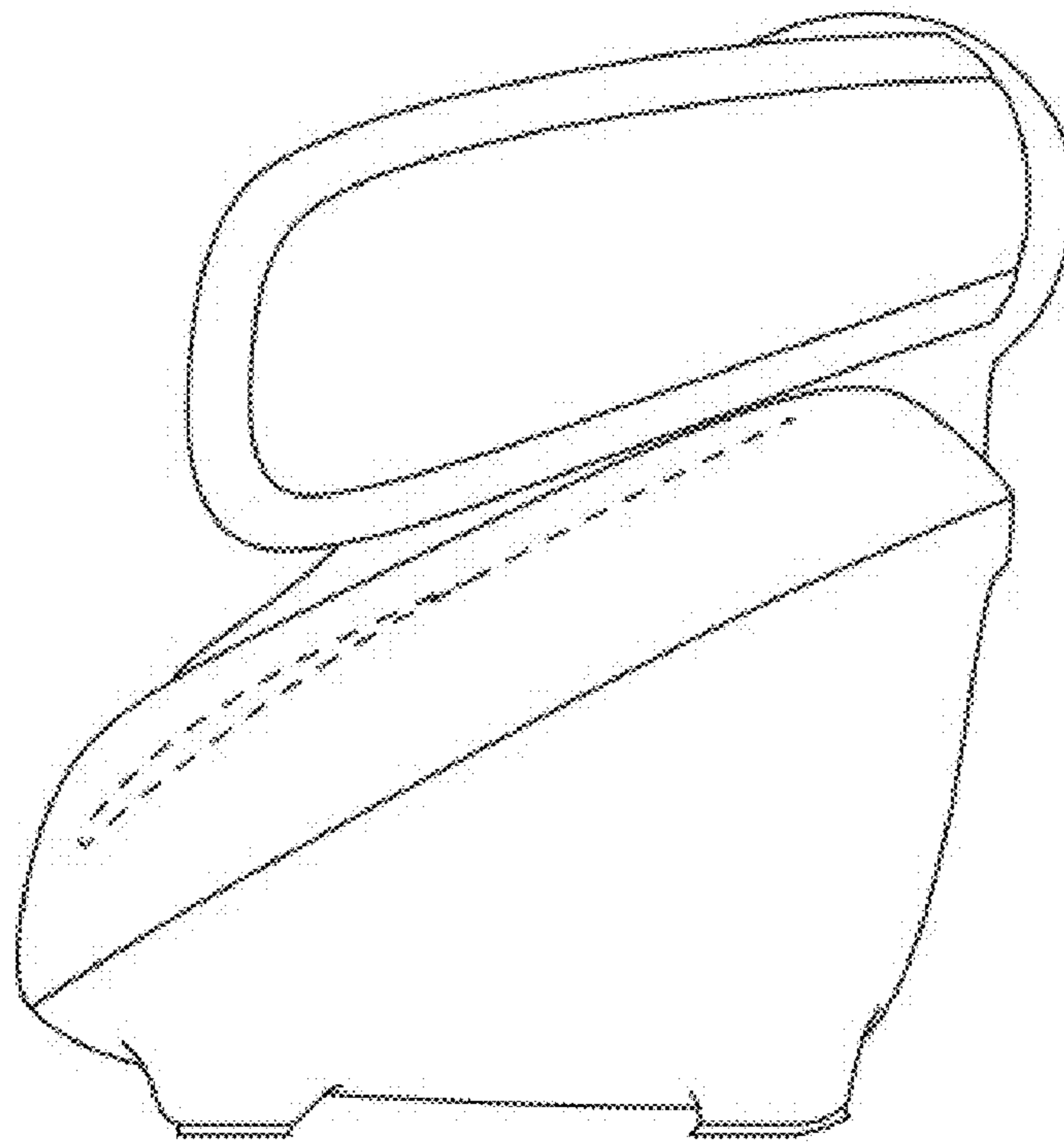


FIG. 6

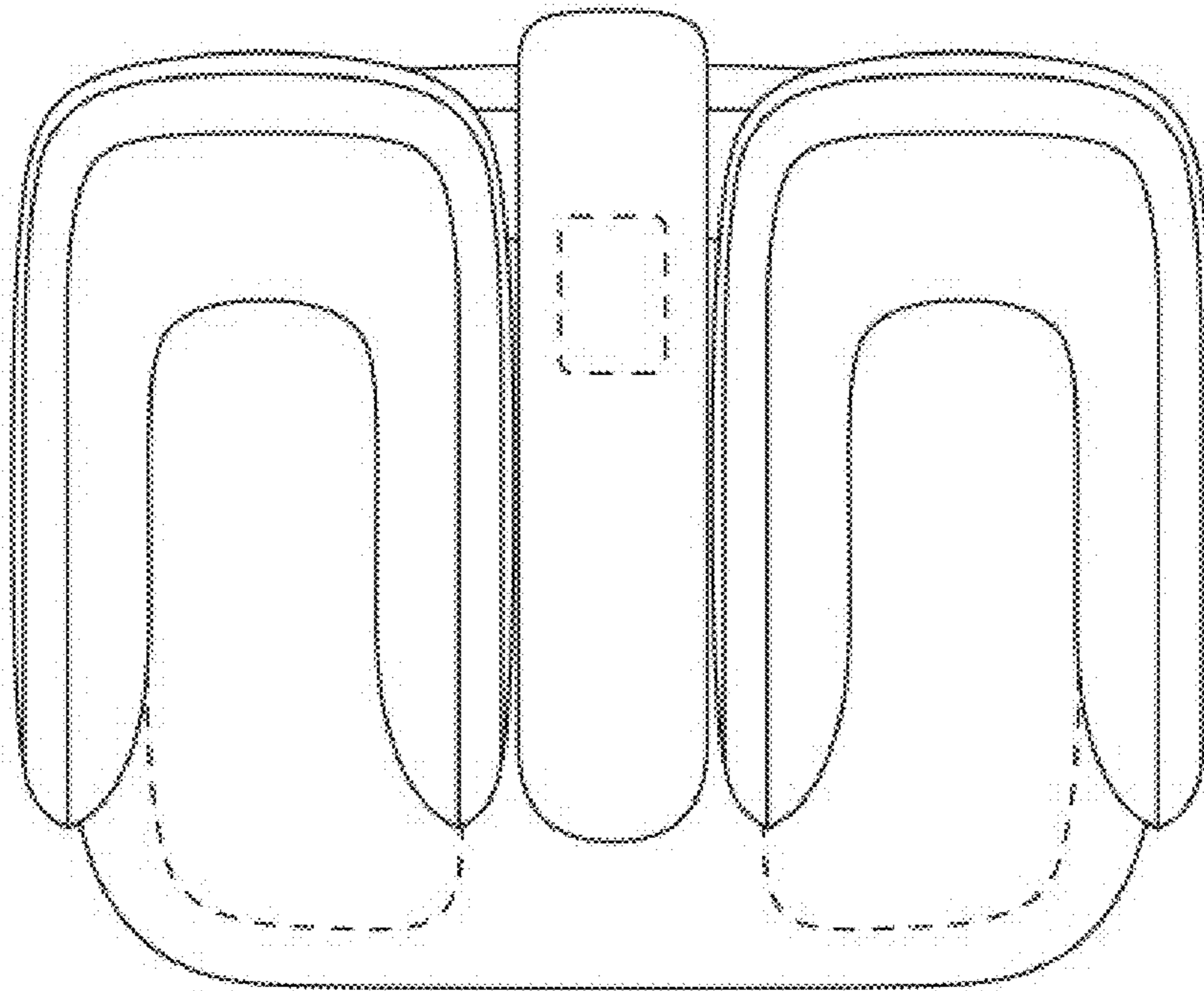


FIG. 7

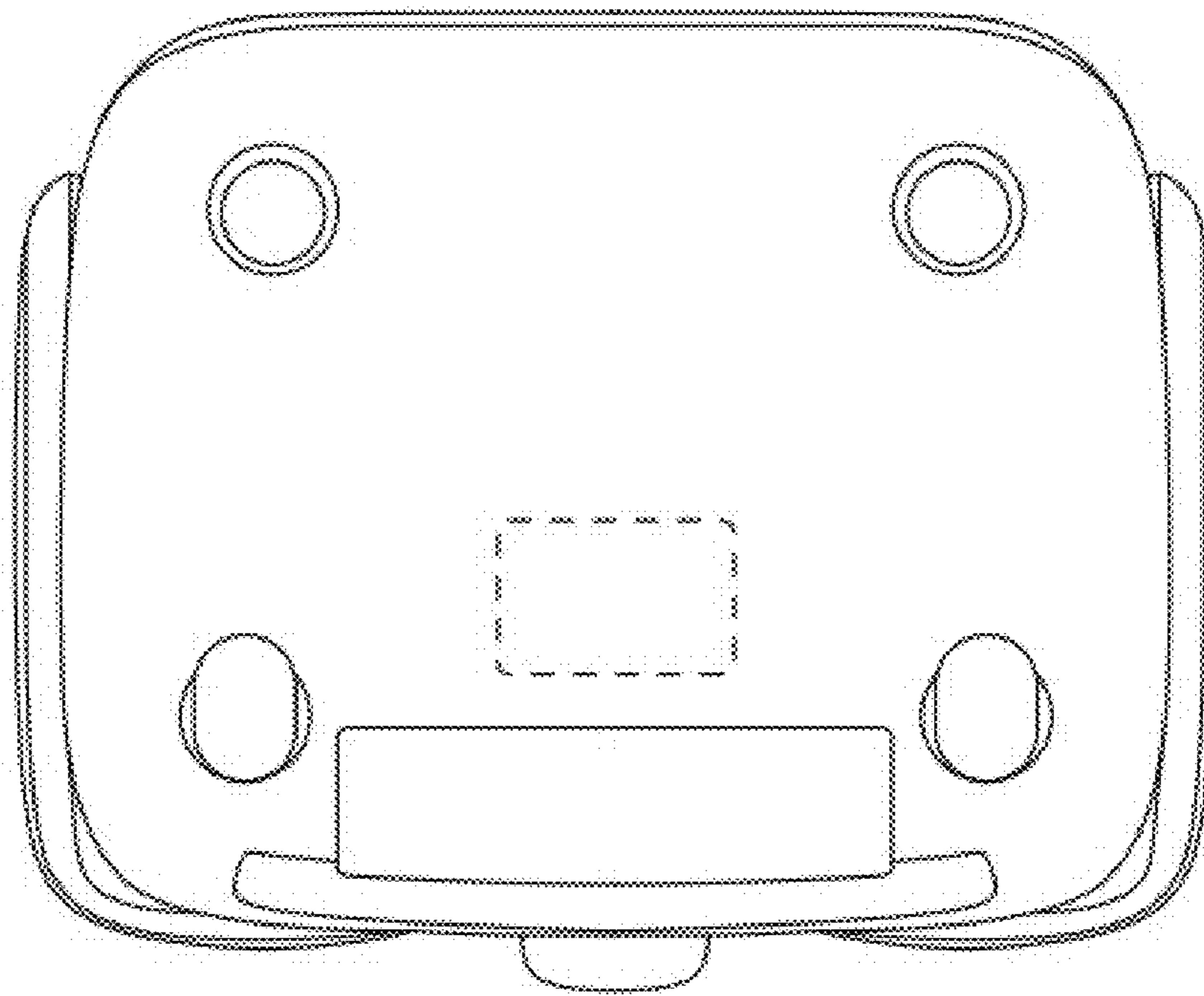


FIG. 8

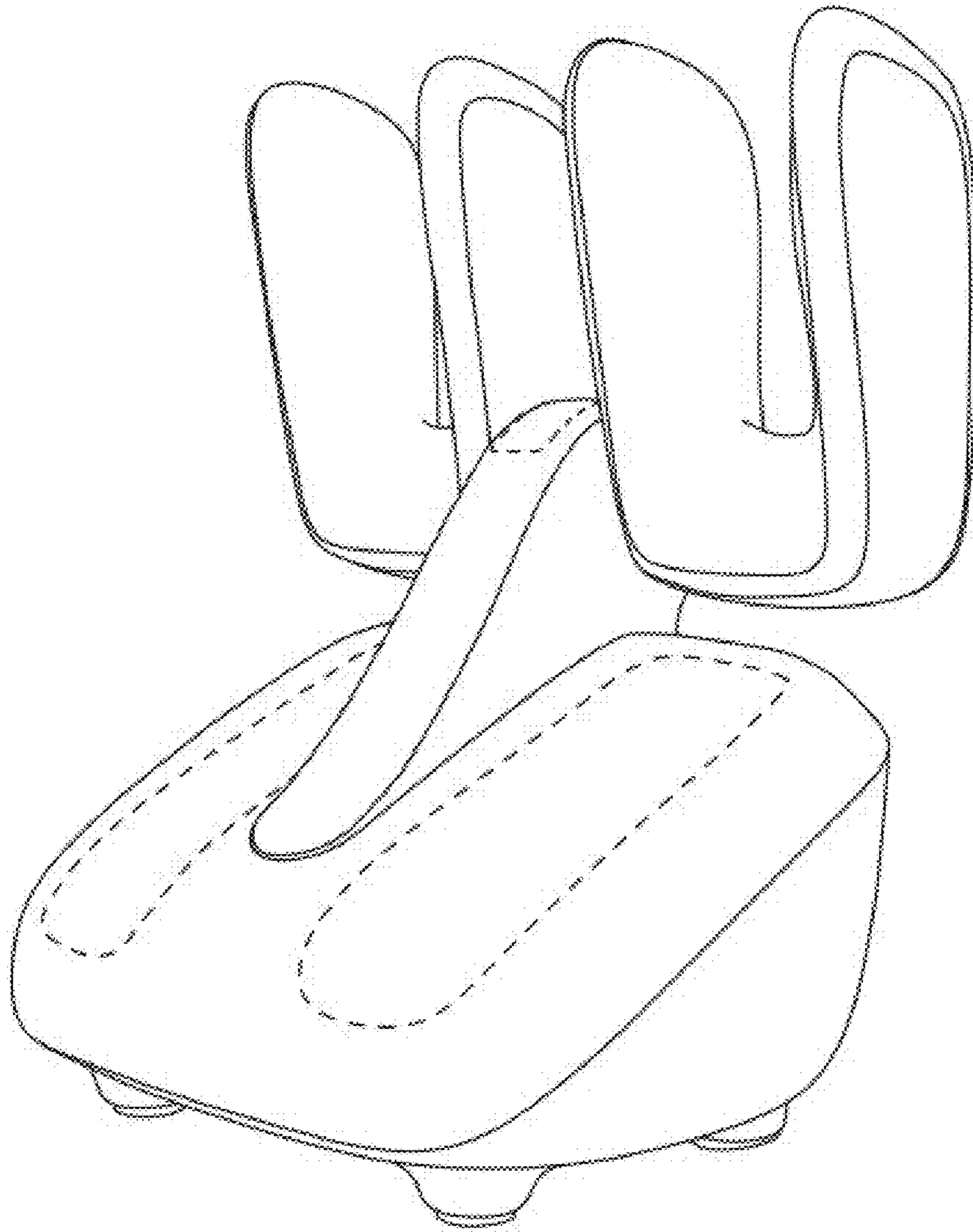


FIG. 9

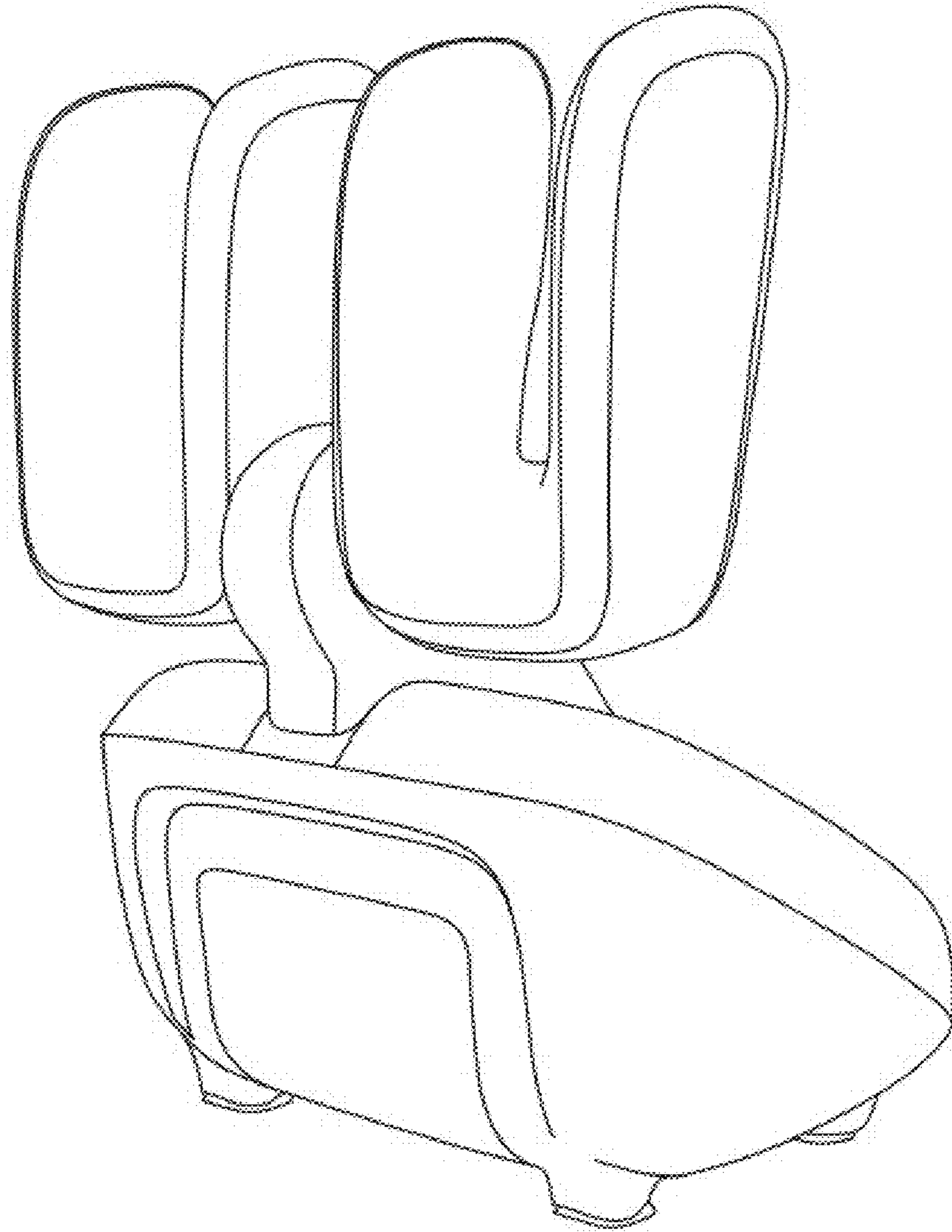


FIG. 10

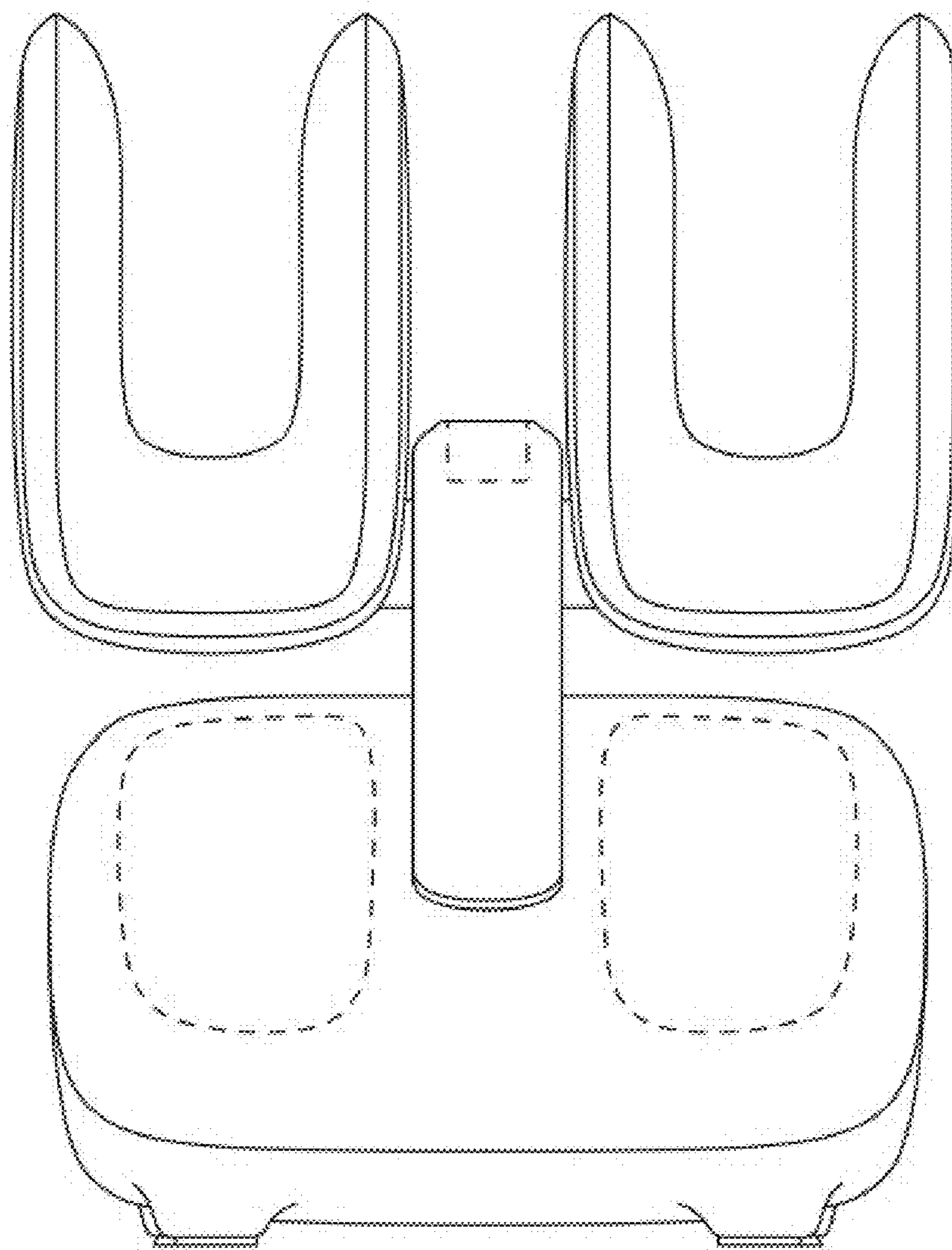


FIG. 11

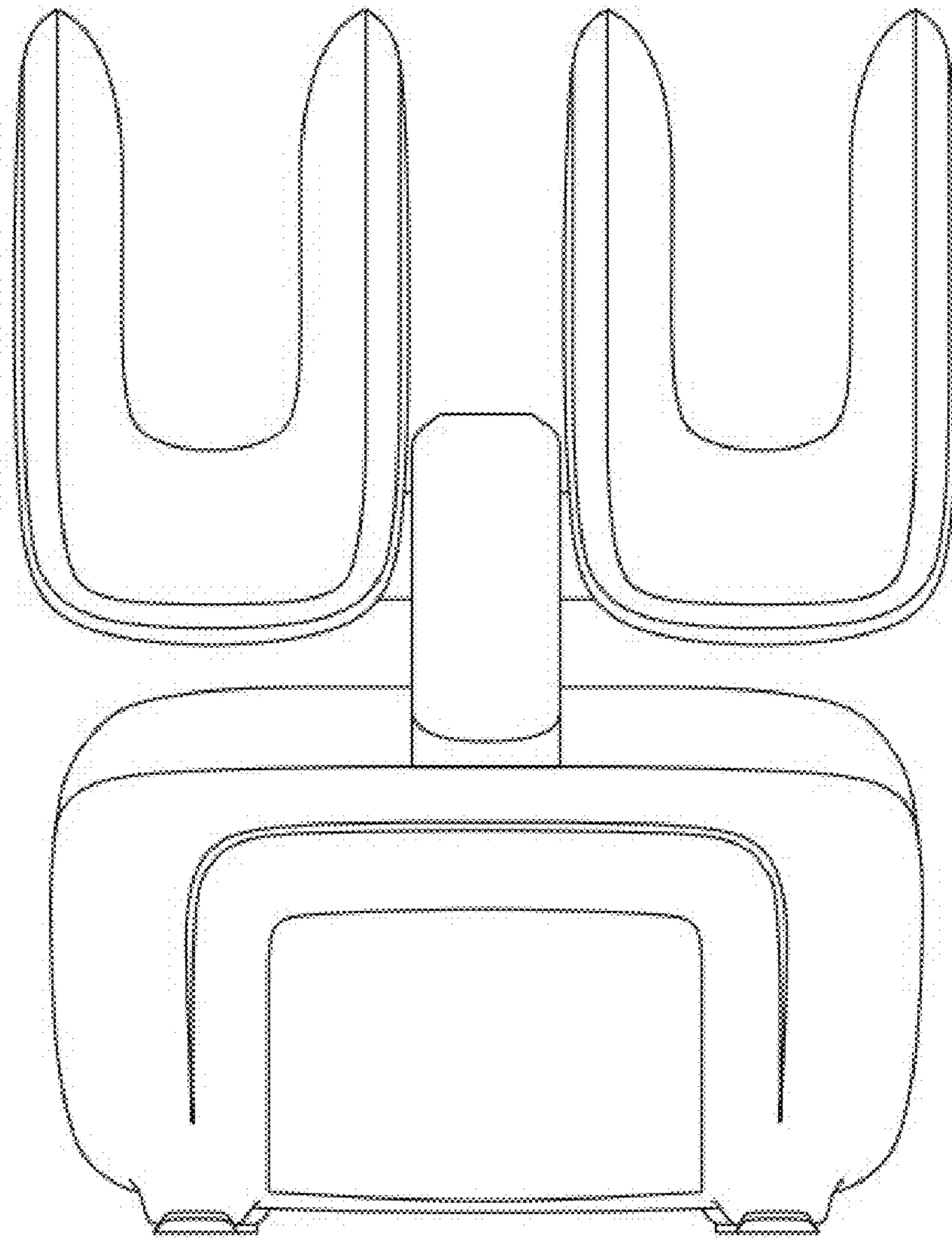


FIG. 12

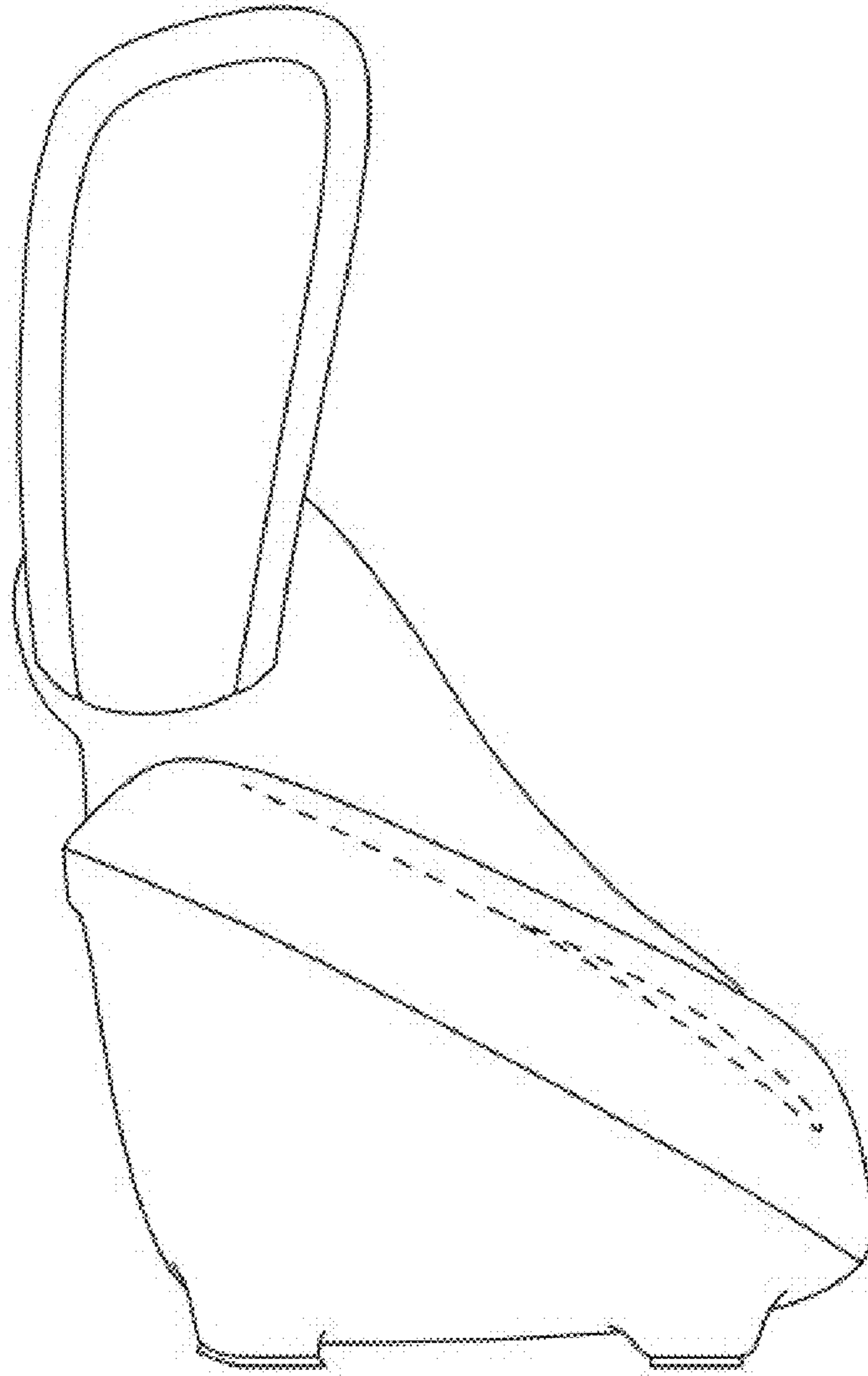


FIG. 13

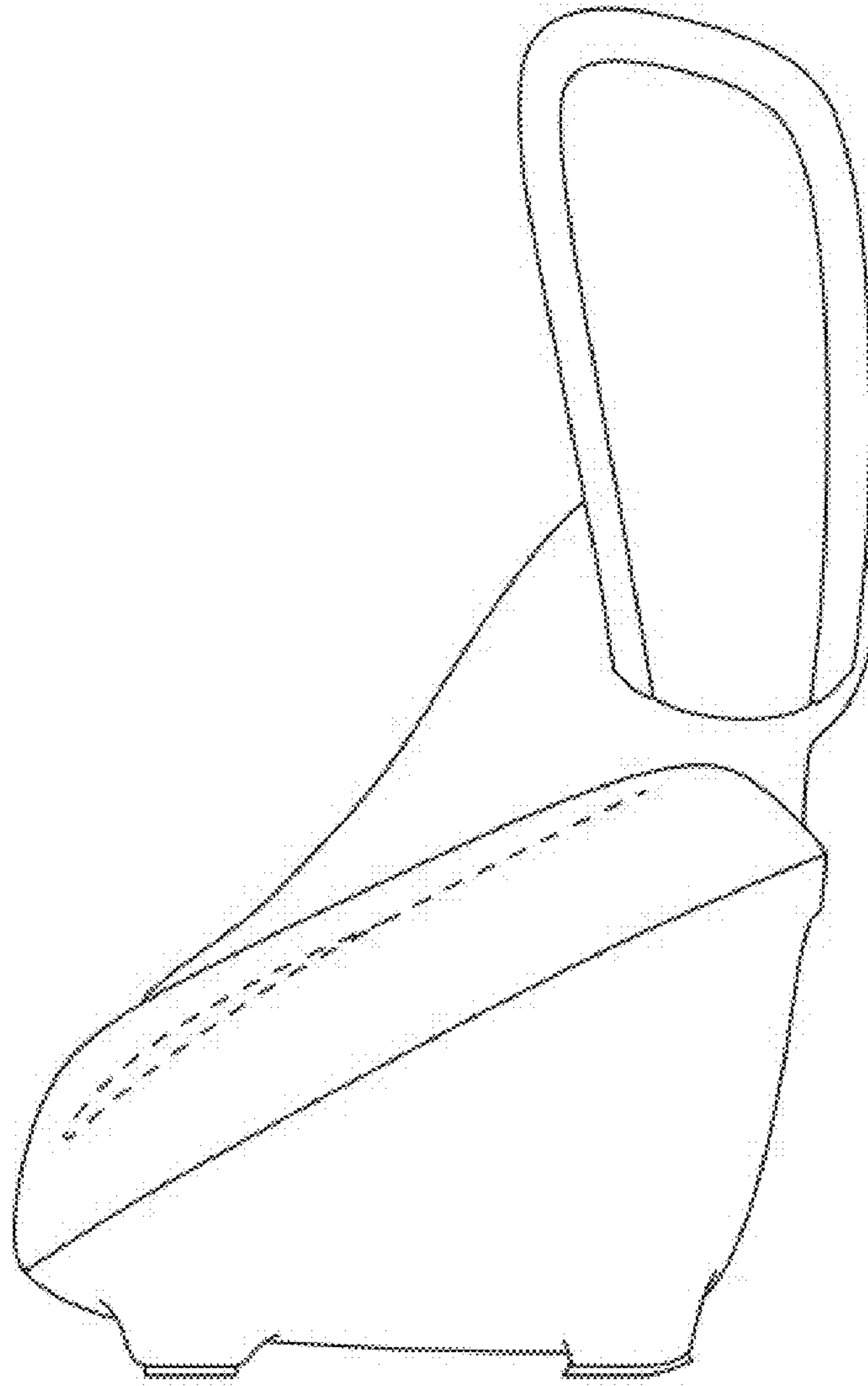


FIG. 14

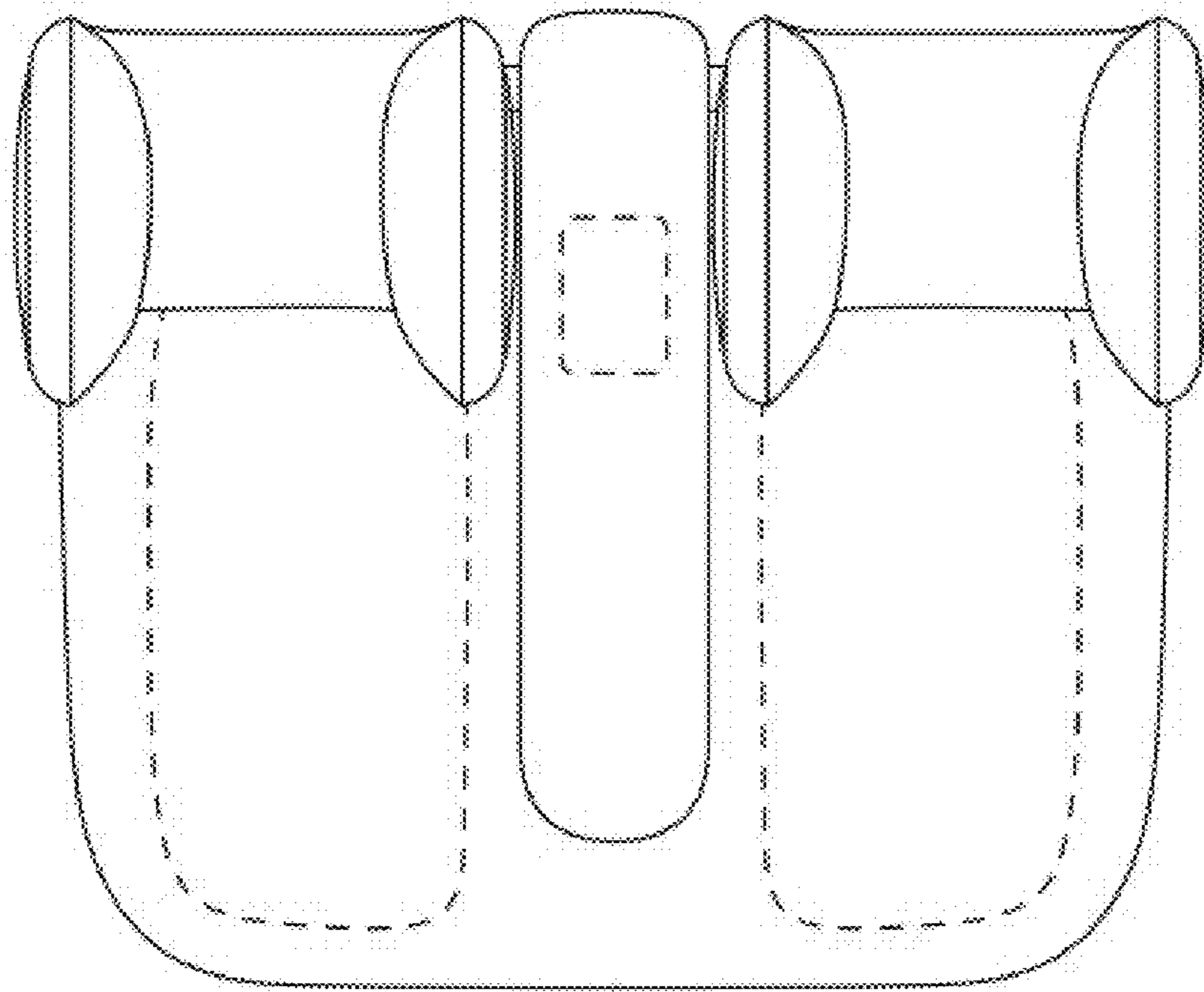


FIG. 15

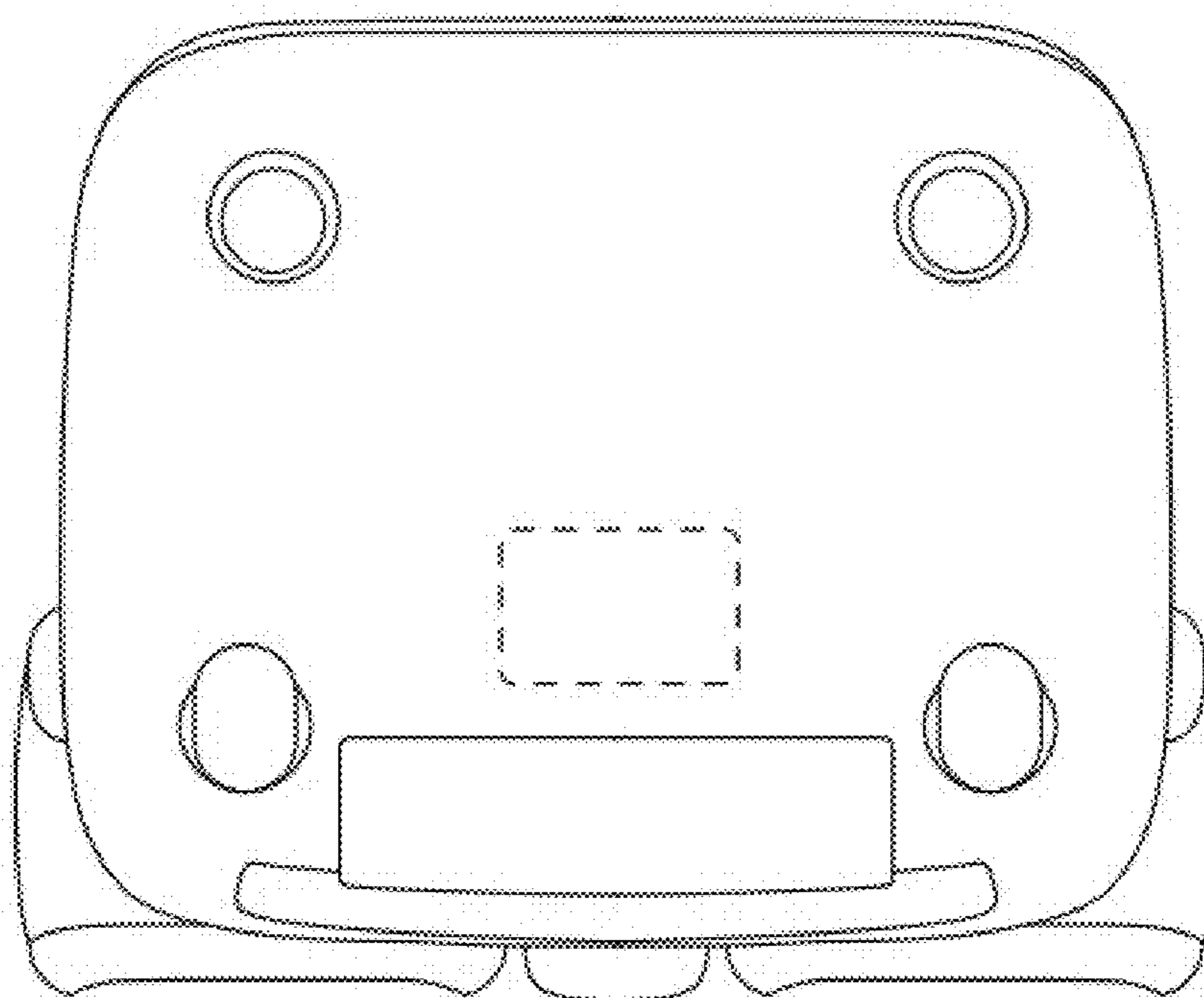


FIG. 16