



US00D923188S

(12) **United States Design Patent** (10) **Patent No.:** **US D923,188 S**
Xu (45) **Date of Patent:** **** Jun. 22, 2021**

(54) **MESSAGE GUN**
(71) Applicant: **YONG KANG AIJIU INDUSTRIAL & TRADE CO., LTD**, Yongkang (CN)
(72) Inventor: **Lijun Xu**, Yongkang (CN)
(73) Assignee: **YONG KANG AIJIU INDUSTRIAL & TRADE CO., LTD**, Yongkang (CN)
(**) Term: **15 Years**

D884,915 S * 5/2020 Wersland D24/215
D885,601 S * 5/2020 Wersland D24/215
D886,317 S * 6/2020 Marton D24/215
D887,573 S * 6/2020 Wersland D24/215
D893,738 S 8/2020 Zhuang
D895,133 S * 9/2020 Xu D24/215
D895,135 S * 9/2020 Xu D24/215
D895,831 S * 9/2020 Chen D24/215
D896,396 S * 9/2020 Wersland D24/215
D898,209 S * 10/2020 Xu D24/214
D898,933 S * 10/2020 Xu D24/215
D899,620 S * 10/2020 Huang D24/215
D900,329 S * 10/2020 Xu D24/215

(Continued)

(21) Appl. No.: **29/763,514**

(22) Filed: **Dec. 23, 2020**

(51) **LOC (13) Cl.** **28-03**

(52) **U.S. Cl.**
USPC **D24/211**

(58) **Field of Classification Search**
USPC D24/200, 211, 212, 213, 214, 215;
D8/14.1
CPC A61H 2015/0014; A61H 15/00; A61H
2015/0042
See application file for complete search history.

(56) **References Cited**

U.S. PATENT DOCUMENTS

D616,558 S * 5/2010 Tsai D24/200
D847,364 S * 4/2019 Lee D24/215
10,314,762 B1 * 6/2019 Marton A61H 23/006
D855,822 S * 8/2019 Marton D24/215
D866,790 S * 11/2019 Lee D24/215
D873,432 S * 1/2020 Duan D24/214
D874,015 S * 1/2020 Marton D24/215
D875,961 S * 2/2020 Li D24/211
D877,351 S * 3/2020 Wersland D24/215
D879,985 S * 3/2020 Wersland D24/214
D879,986 S * 3/2020 Wersland D24/214
D880,714 S * 4/2020 Wersland D24/215
D880,715 S * 4/2020 Wersland D24/215
D880,716 S * 4/2020 Wersland D24/215
D884,205 S 5/2020 Zhuang
D884,207 S * 5/2020 Ma D24/215

OTHER PUBLICATIONS

Amazon, "TOLOCO Massage Gun", Mar. 2, 2021. https://www.amazon.com/TOLOCO-Massage-Gun-Upgraded-Brushless/dp/B083L8RNJR/ref=cm_cr_arp_d_product_top?ie=UTF8&th=1. Shown on p. 1. (Year: 2021).*

Primary Examiner — Cynthia Ramirez
Assistant Examiner — Michael A Maharajh

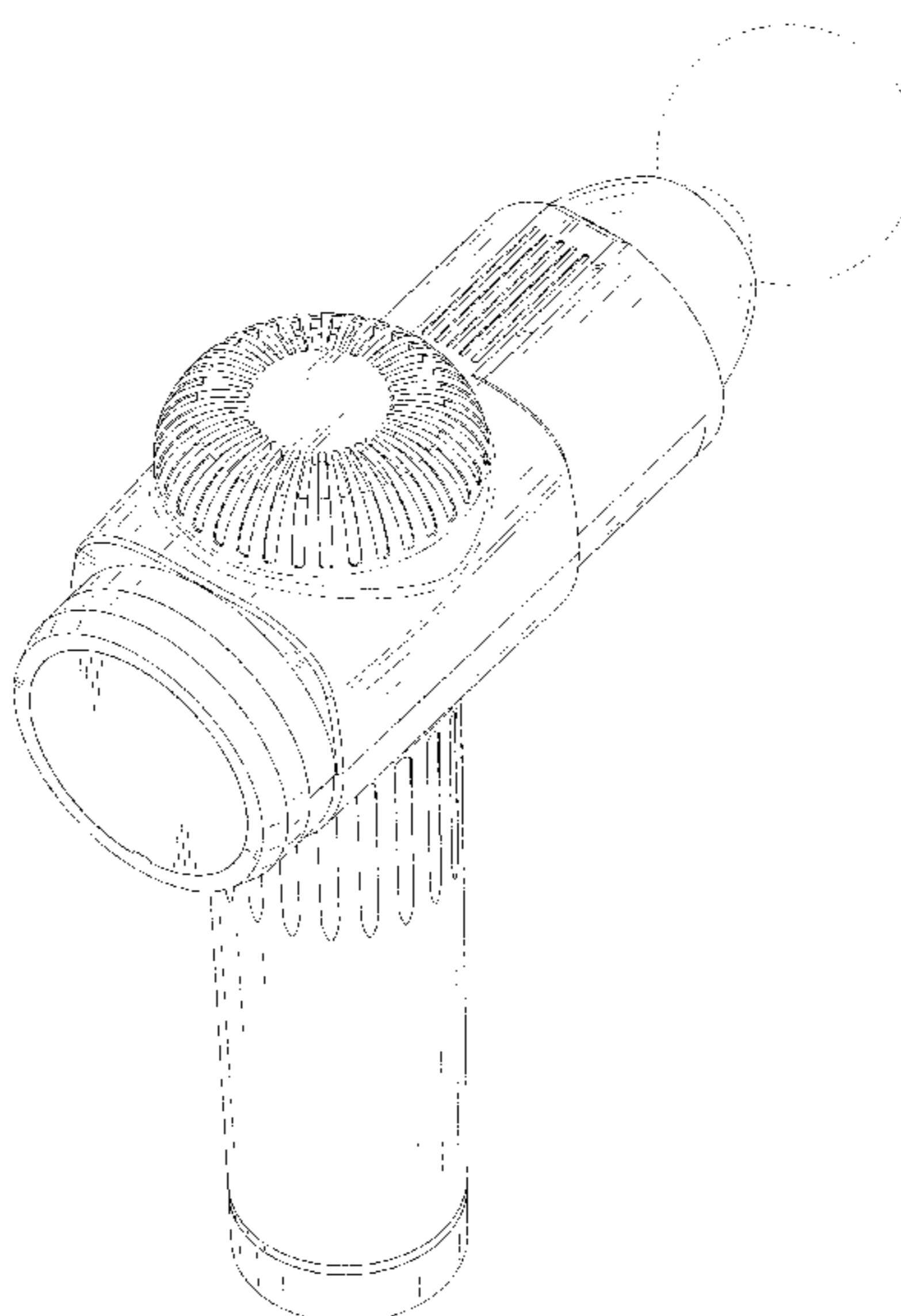
(57) **CLAIM**

The ornamental design for a massage gun, as shown and described.

DESCRIPTION

FIG. 1 is a perspective view of a massage gun showing my new design;
FIG. 2 is another perspective view thereof;
FIG. 3 is a front elevational view thereof;
FIG. 4 is a rear elevational view thereof;
FIG. 5 is a left side elevational view thereof;
FIG. 6 is a right side elevational view thereof;
FIG. 7 is a top plan view thereof; and,
FIG. 8 is a bottom plan view thereof.
The broken lines in the drawings depict portions of the massage gun that form no part of the claimed design.

1 Claim, 8 Drawing Sheets



(56)

References Cited

U.S. PATENT DOCUMENTS

D905,863	S	*	12/2020	Lin	D24/215
D906,533	S	*	12/2020	Xu	D24/215
D907,229	S	*	1/2021	Zhang	D24/215
D907,230	S	*	1/2021	Zhang	D24/215
D908,908	S	*	1/2021	Xu	D24/215
D910,194	S	*	2/2021	Radtke	D24/215
D911,535	S	*	2/2021	Yu	D24/200
D912,267	S	*	3/2021	Tang	D24/215
D912,268	S	*	3/2021	Xiang	D24/215
D912,835	S	*	3/2021	Ren	D24/200
D913,516	S	*	3/2021	Zhang	D24/215
D913,517	S	*	3/2021	Yu	D24/215
2018/0200141	A1	*	7/2018	Wersland	A61H 23/006

* cited by examiner

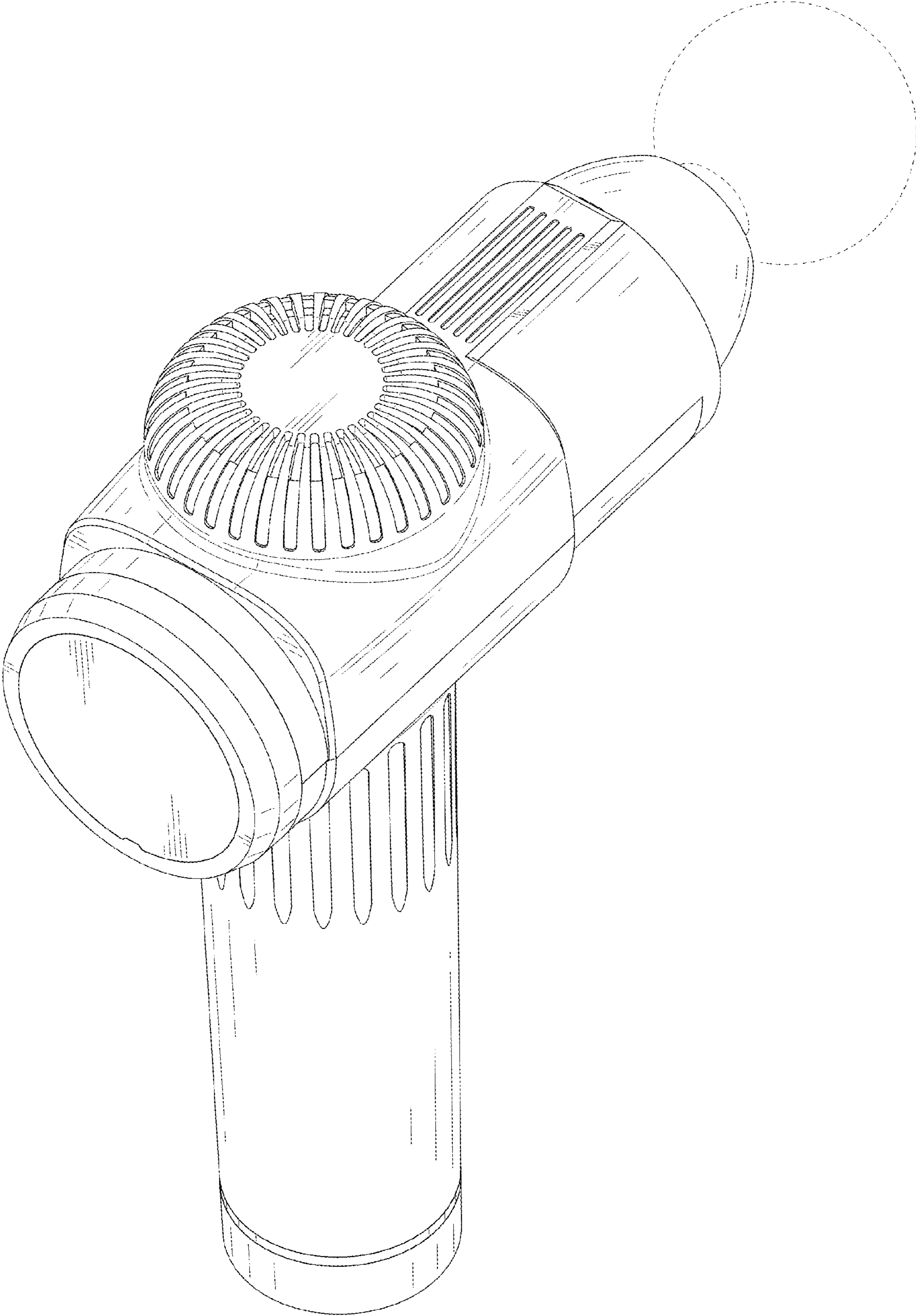


FIG. 1

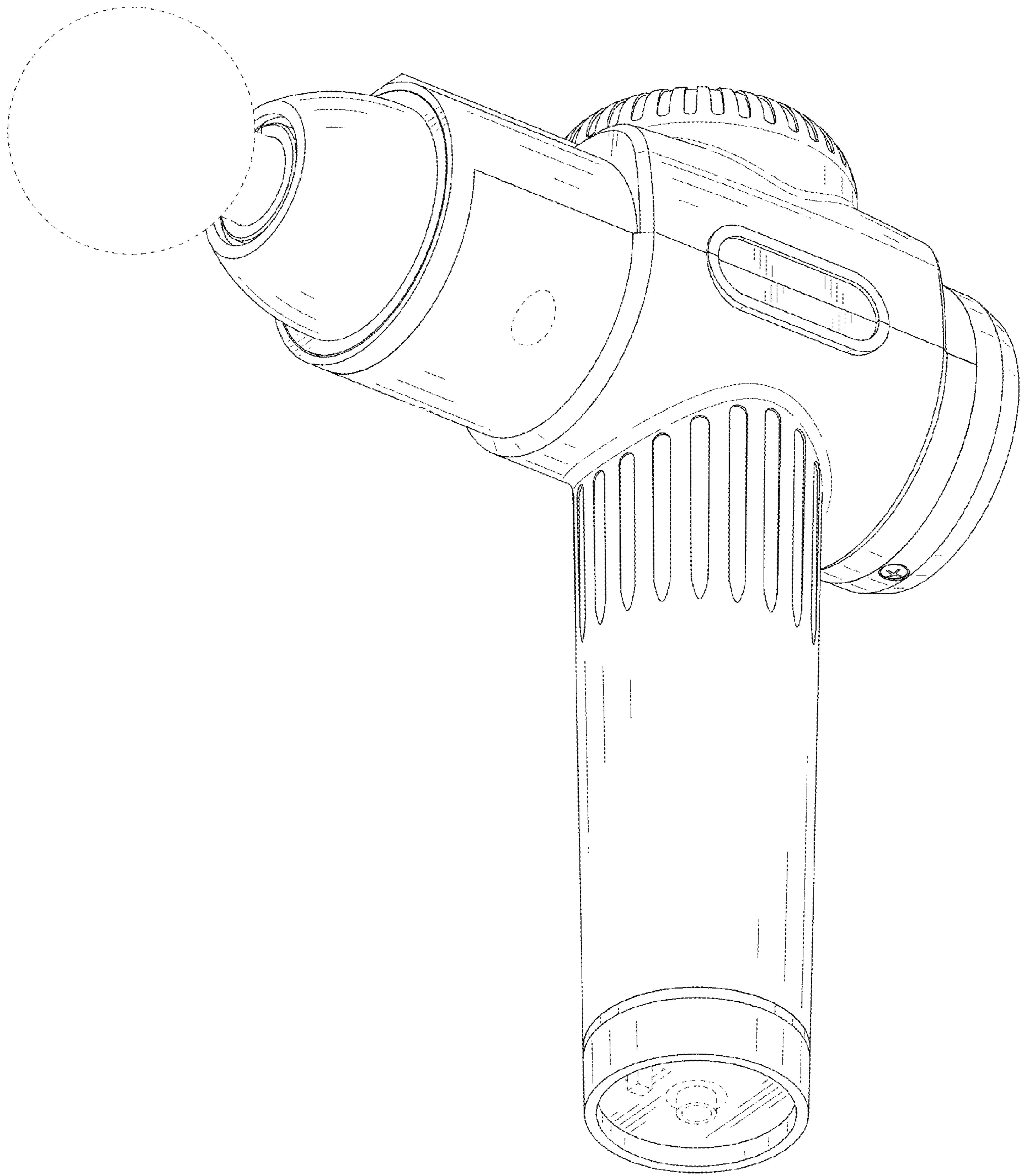


FIG. 2

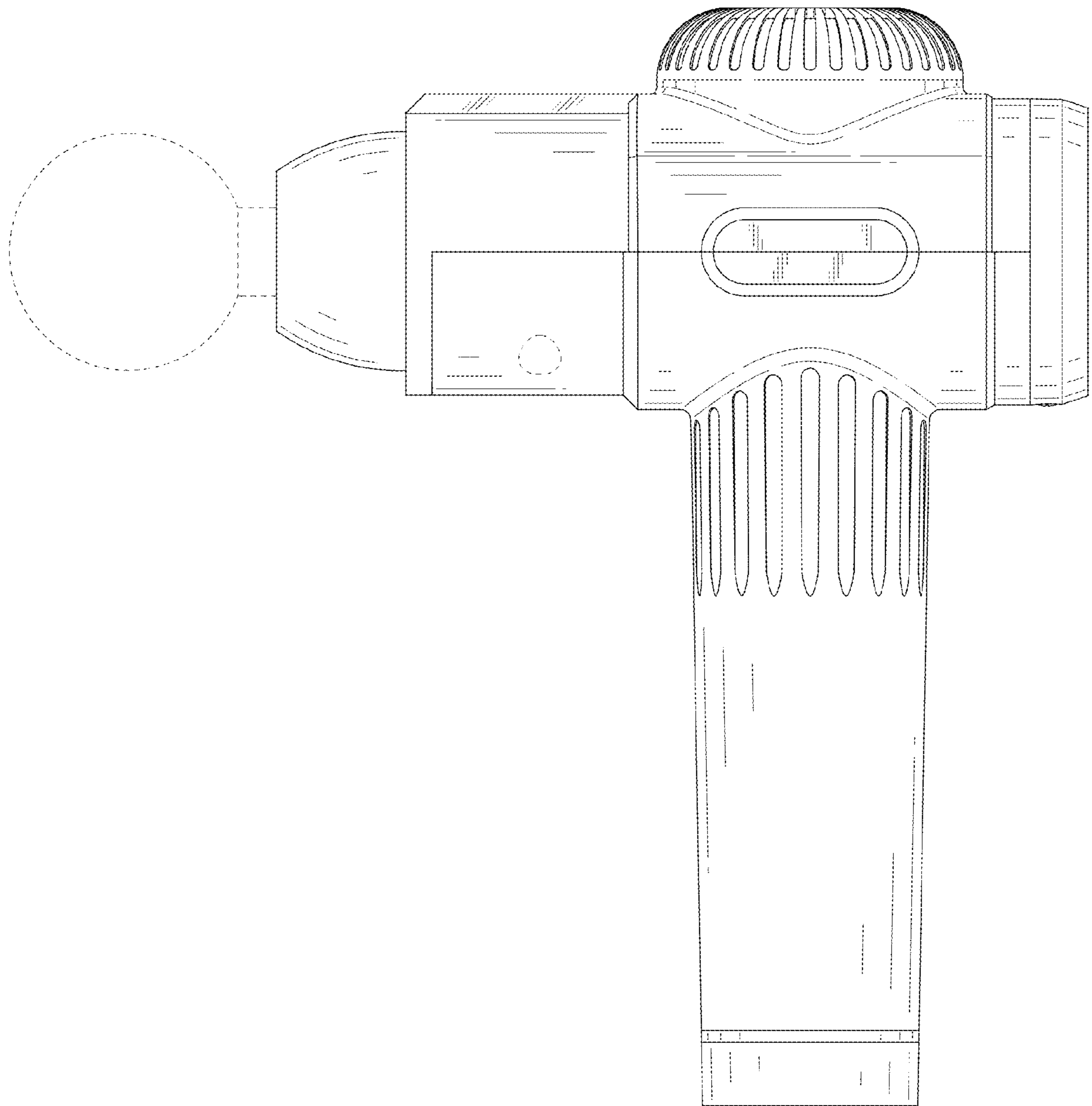


FIG. 3

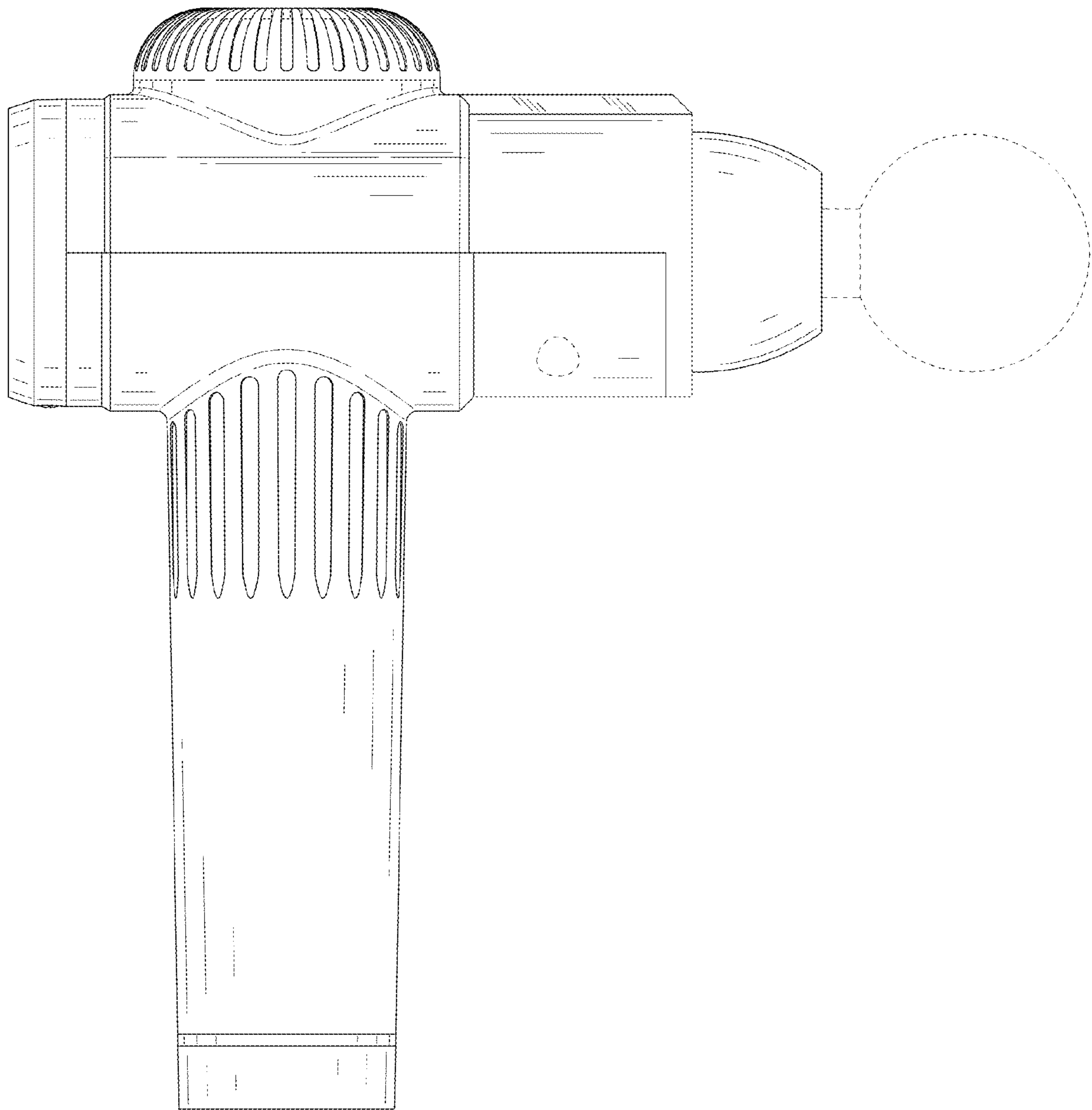


FIG. 4

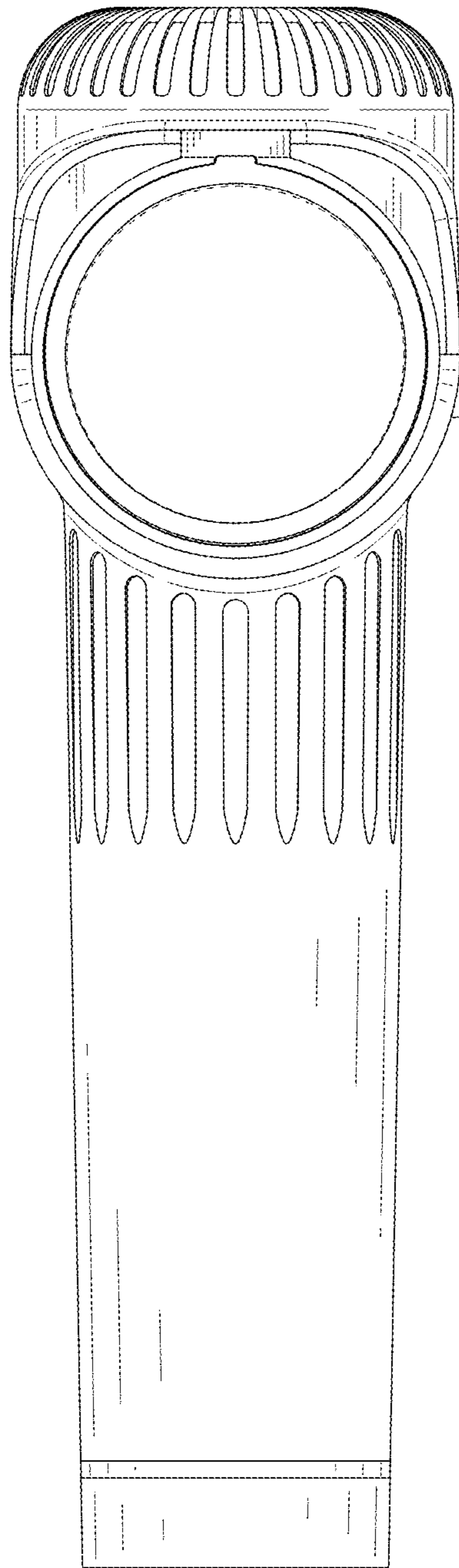


FIG. 5

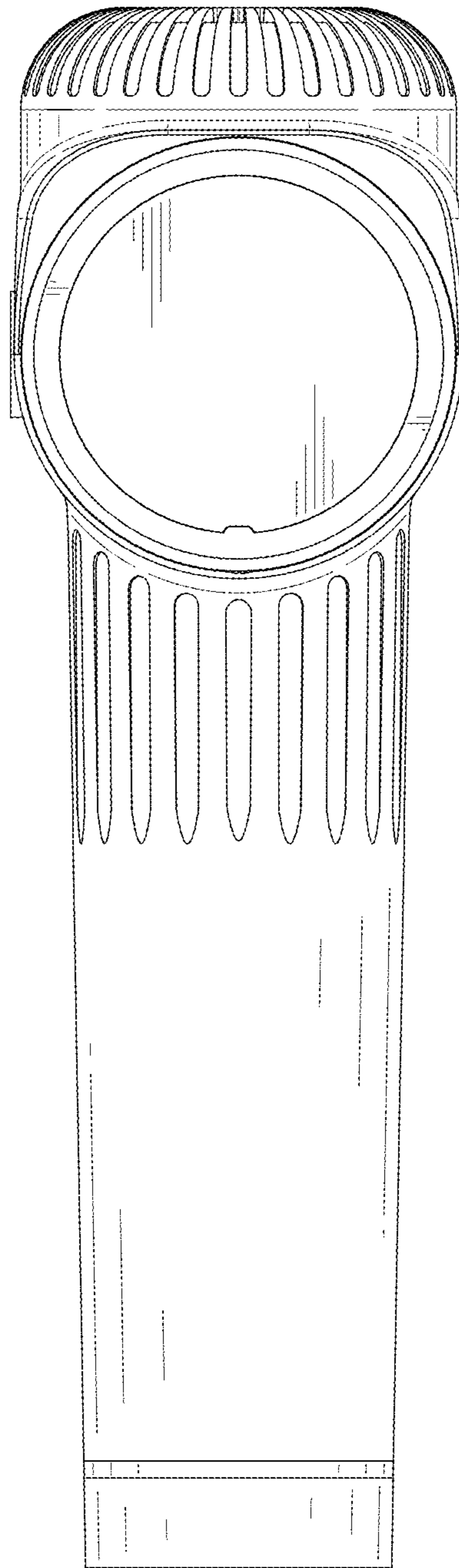


FIG. 6

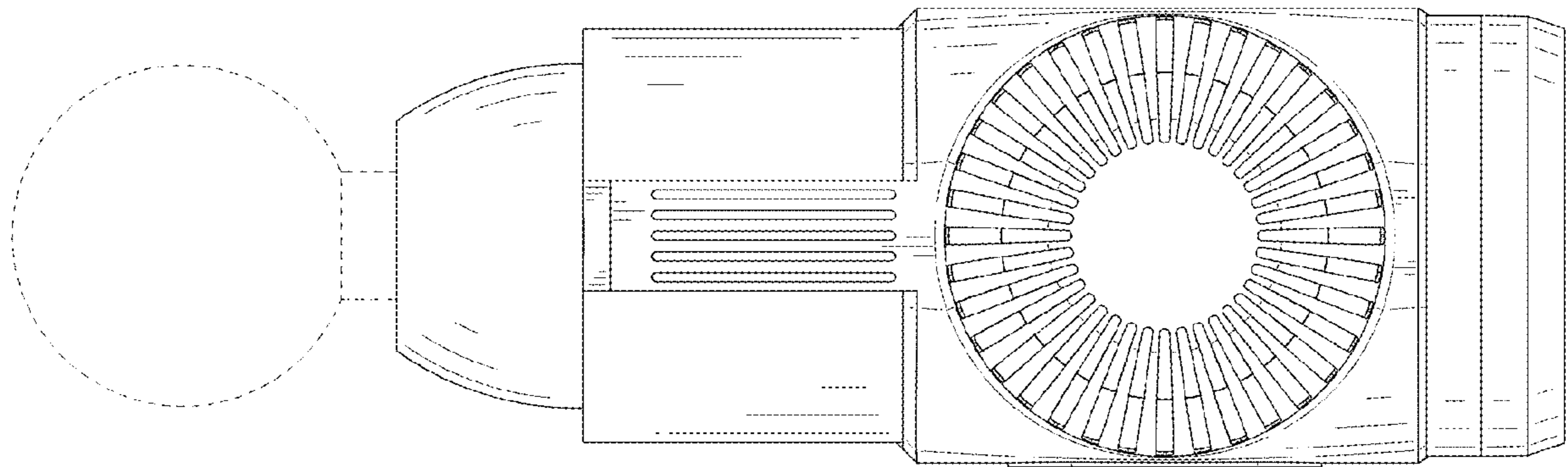


FIG. 7

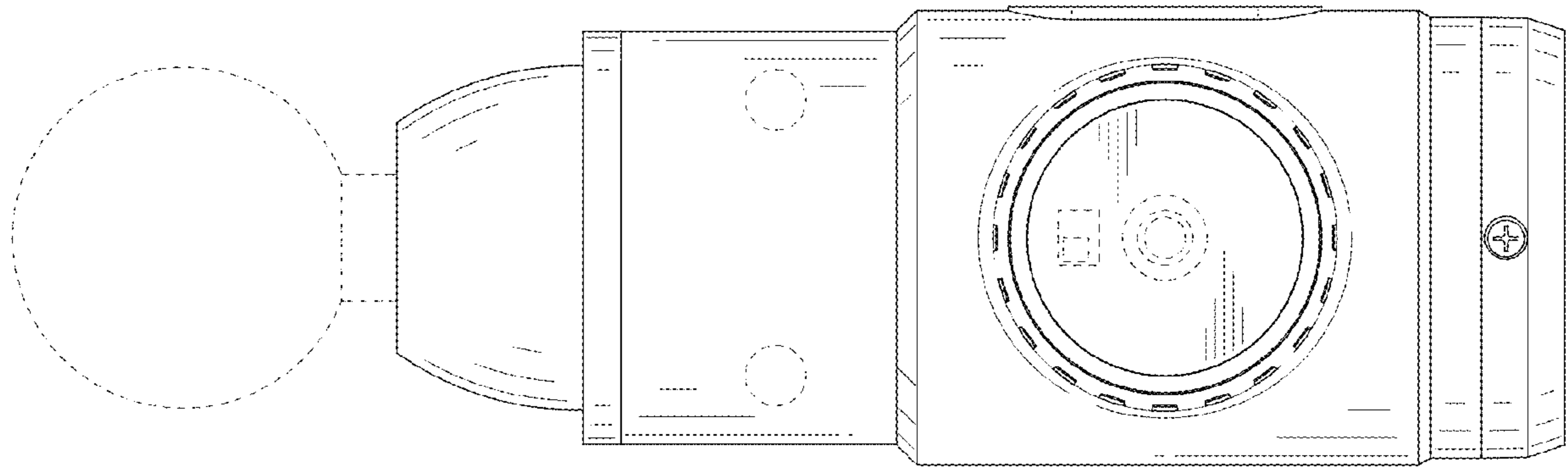


FIG. 8