



US00D923187S

(12) **United States Design Patent**
Ma et al.

(10) **Patent No.:** **US D923,187 S**

(45) **Date of Patent:** **** Jun. 22, 2021**

(54) **MESSAGE GUN**

(71) Applicant: **Shenzhen Shufang Innovation Technology Co., Ltd., Shenzhen (CN)**

(72) Inventors: **Hejiang Ma, Shenzhen (CN); Yufang Deng, Shenzhen (CN)**

(73) Assignee: **SHENZHEN SHUFANG INNOVATION TECHNOLOGY CO., LTD., Shenzhen (CN)**

(**) Term: **15 Years**

(21) Appl. No.: **29/752,726**

(22) Filed: **Sep. 29, 2020**

(51) **LOC (13) Cl.** **28-03**

(52) **U.S. Cl.**
USPC **D24/211**

(58) **Field of Classification Search**
USPC D24/200, 211, 212, 213, 214, 215;
D8/14.1
CPC A61H 2015/0014; A61H 15/00; A61H
2015/0042
See application file for complete search history.

(56) **References Cited**

U.S. PATENT DOCUMENTS

D616,558 S *	5/2010	Tsai	D24/200
D847,364 S *	4/2019	Lee	D24/215
10,314,762 B1 *	6/2019	Marton	A61H 23/006
D855,822 S *	8/2019	Marton	D24/215
D866,790 S *	11/2019	Lee	D24/215
D872,869 S	1/2020	Lu	
D873,432 S *	1/2020	Duan	D24/214
D874,015 S *	1/2020	Marton	D24/215
D875,961 S *	2/2020	Li	D24/211
D877,351 S *	3/2020	Wersland	D24/215
D879,985 S *	3/2020	Wersland	D24/214
D879,986 S *	3/2020	Wersland	D24/214
D880,714 S *	4/2020	Wersland	D24/215

D880,715 S *	4/2020	Wersland	D24/215
D880,716 S *	4/2020	Wersland	D24/215
D884,207 S *	5/2020	Ma	D24/215
D884,915 S *	5/2020	Wersland	D24/215
D885,601 S *	5/2020	Wersland	D24/215
D886,317 S *	6/2020	Marton	D24/215
D887,573 S *	6/2020	Wersland	D24/215
D893,738 S	8/2020	Zhuang	
D895,132 S	9/2020	Hu	

(Continued)

Primary Examiner — Cynthia Ramirez

Assistant Examiner — Michael A Maharajh

(74) *Attorney, Agent, or Firm* — Bayramoglu Law Offices LLC

(57) **CLAIM**

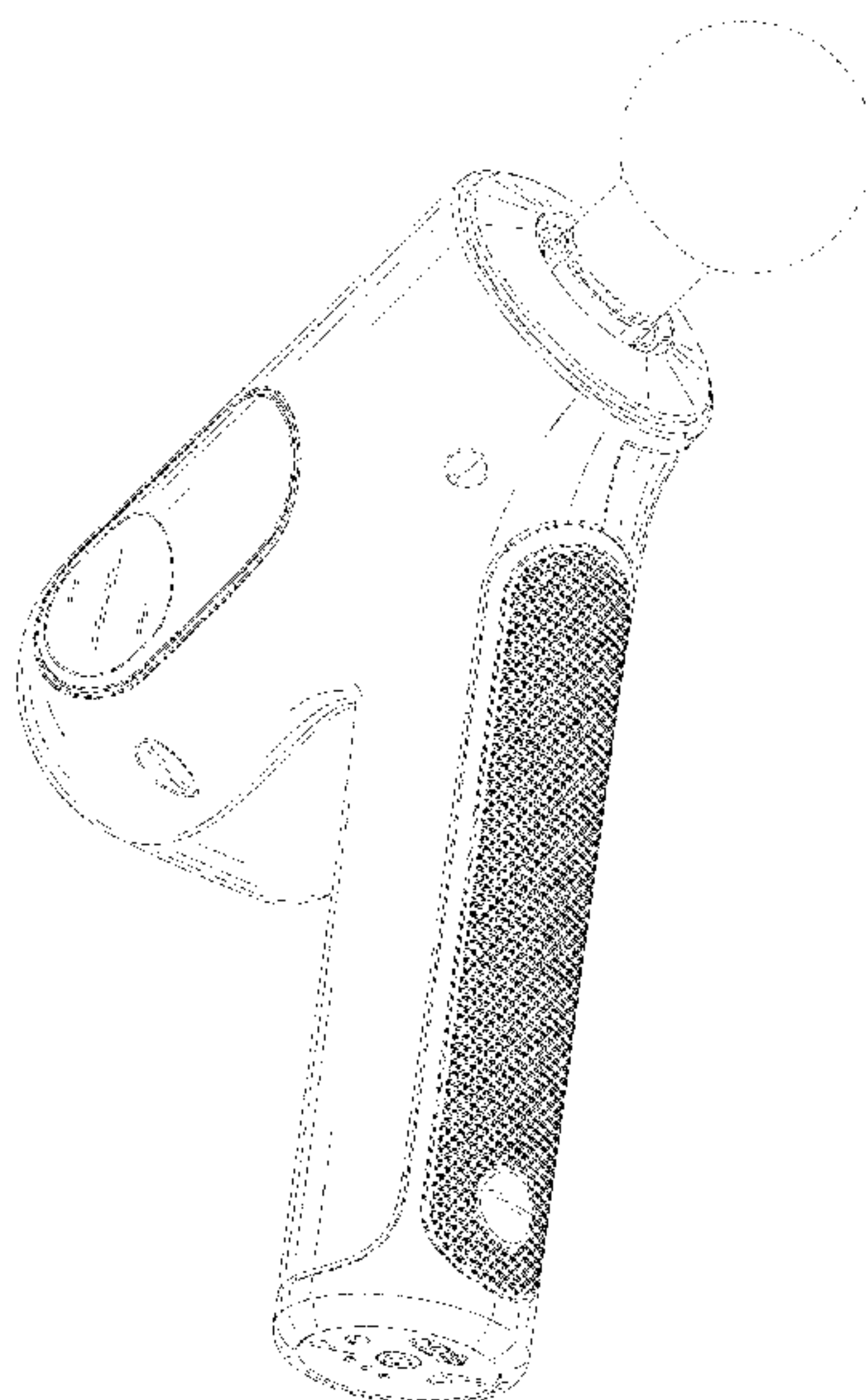
The ornamental design for a massage gun, as shown and described.

DESCRIPTION

FIG. 1 is a perspective view of a first embodiment of a massage gun showing our new design;
 FIG. 2 is a front view thereof;
 FIG. 3 is a rear view thereof;
 FIG. 4 is a right side view thereof;
 FIG. 5 is a left side view thereof;
 FIG. 6 is a top view thereof;
 FIG. 7 is a bottom view thereof;
 FIG. 8 is a perspective view of a second embodiment of the massage gun;
 FIG. 9 is a front view thereof;
 FIG. 10 is a rear view thereof;
 FIG. 11 is a right side view thereof;
 FIG. 12 is a left side view thereof;
 FIG. 13 is a top view thereof; and,
 FIG. 14 is a bottom view thereof.

The broken lines depict portions of a massage gun in which the design is embodied that form no part of the claimed design.

1 Claim, 14 Drawing Sheets



(56)

References Cited

U.S. PATENT DOCUMENTS

D895,133	S	*	9/2020	Xu	D24/215
D895,135	S	*	9/2020	Xu	D24/215
D895,829	S		9/2020	Hu		
D895,831	S	*	9/2020	Chen	D24/215
D896,396	S	*	9/2020	Wersland	D24/215
D898,209	S	*	10/2020	Xu	D24/214
D898,933	S	*	10/2020	Xu	D24/215
D899,620	S	*	10/2020	Huang	D24/215
D900,329	S	*	10/2020	Xu	D24/215
D905,863	S	*	12/2020	Lin	D24/215
D906,533	S	*	12/2020	Xu	D24/215
D907,229	S	*	1/2021	Zhang	D24/215
D907,230	S	*	1/2021	Zhang	D24/215
D908,908	S	*	1/2021	Xu	D24/215
D910,194	S	*	2/2021	Radtke	D24/215
D911,535	S	*	2/2021	Yu	D24/200
D912,267	S	*	3/2021	Tang	D24/215
D912,268	S	*	3/2021	Xiang	D24/215
D912,835	S	*	3/2021	Ren	D24/200
D913,516	S	*	3/2021	Zhang	D24/215
D913,517	S	*	3/2021	Yu	D24/215
2018/0200141	A1	*	7/2018	Wersland	A61H 23/006

* cited by examiner

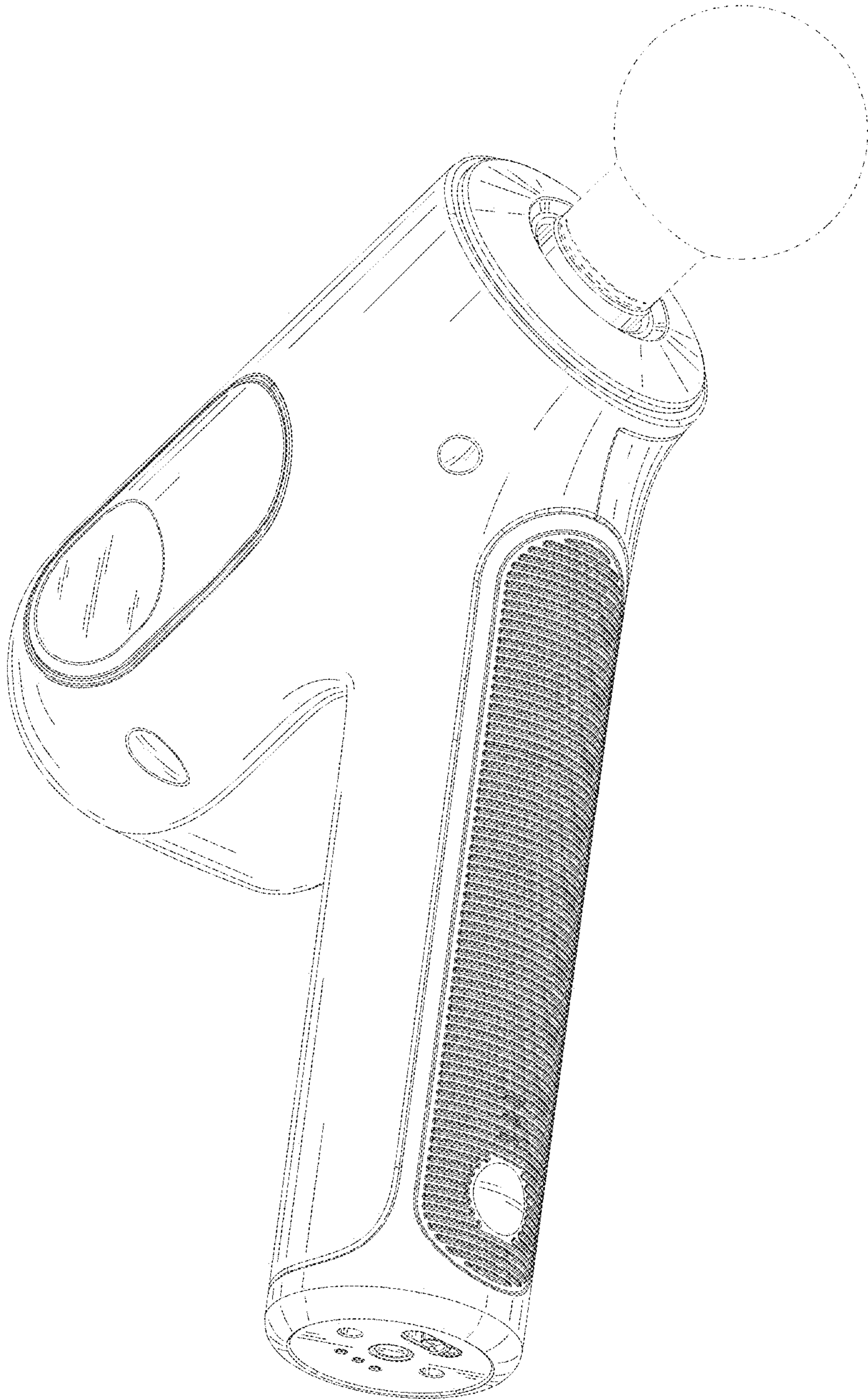


FIG. 1

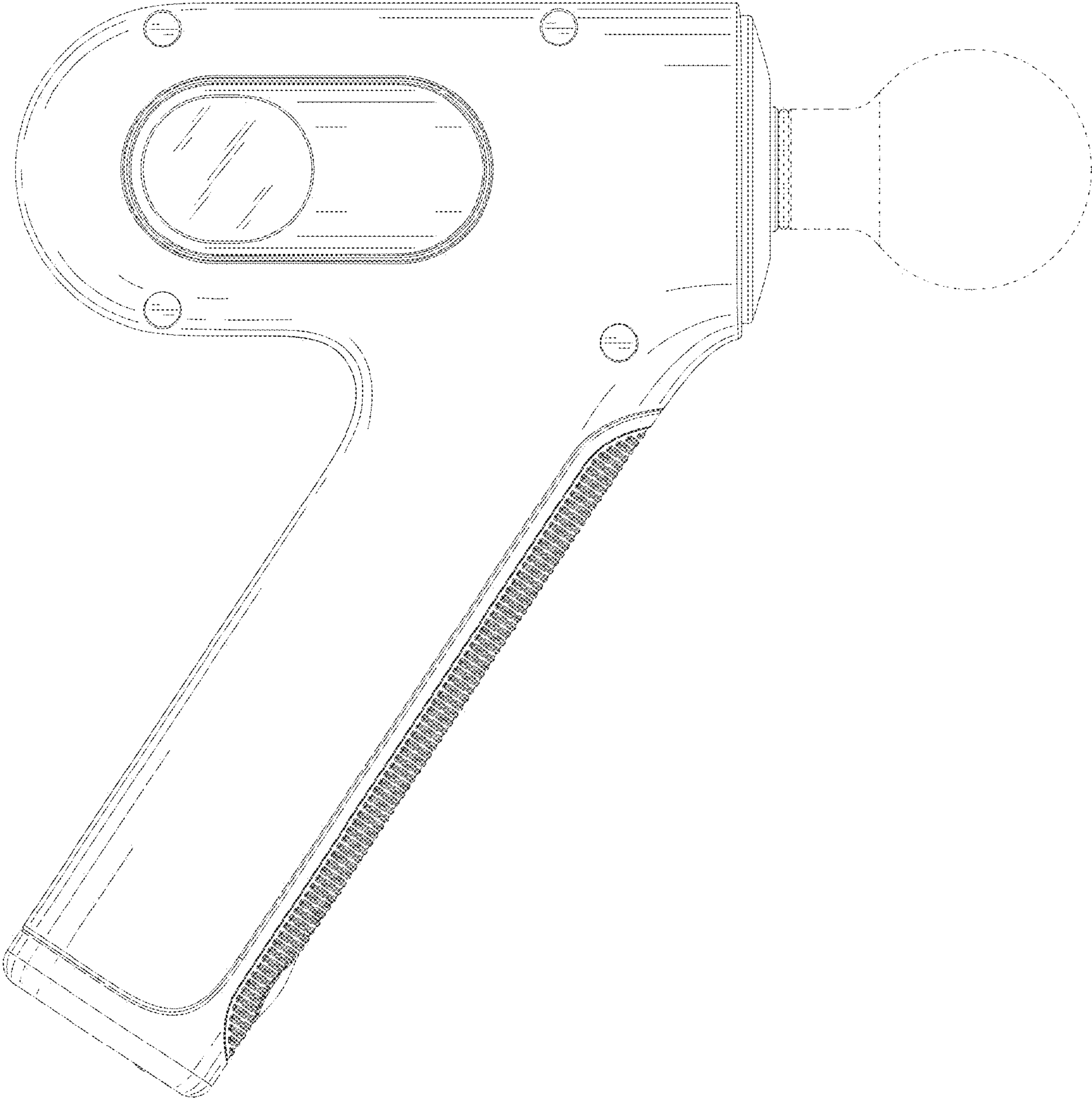


FIG. 2

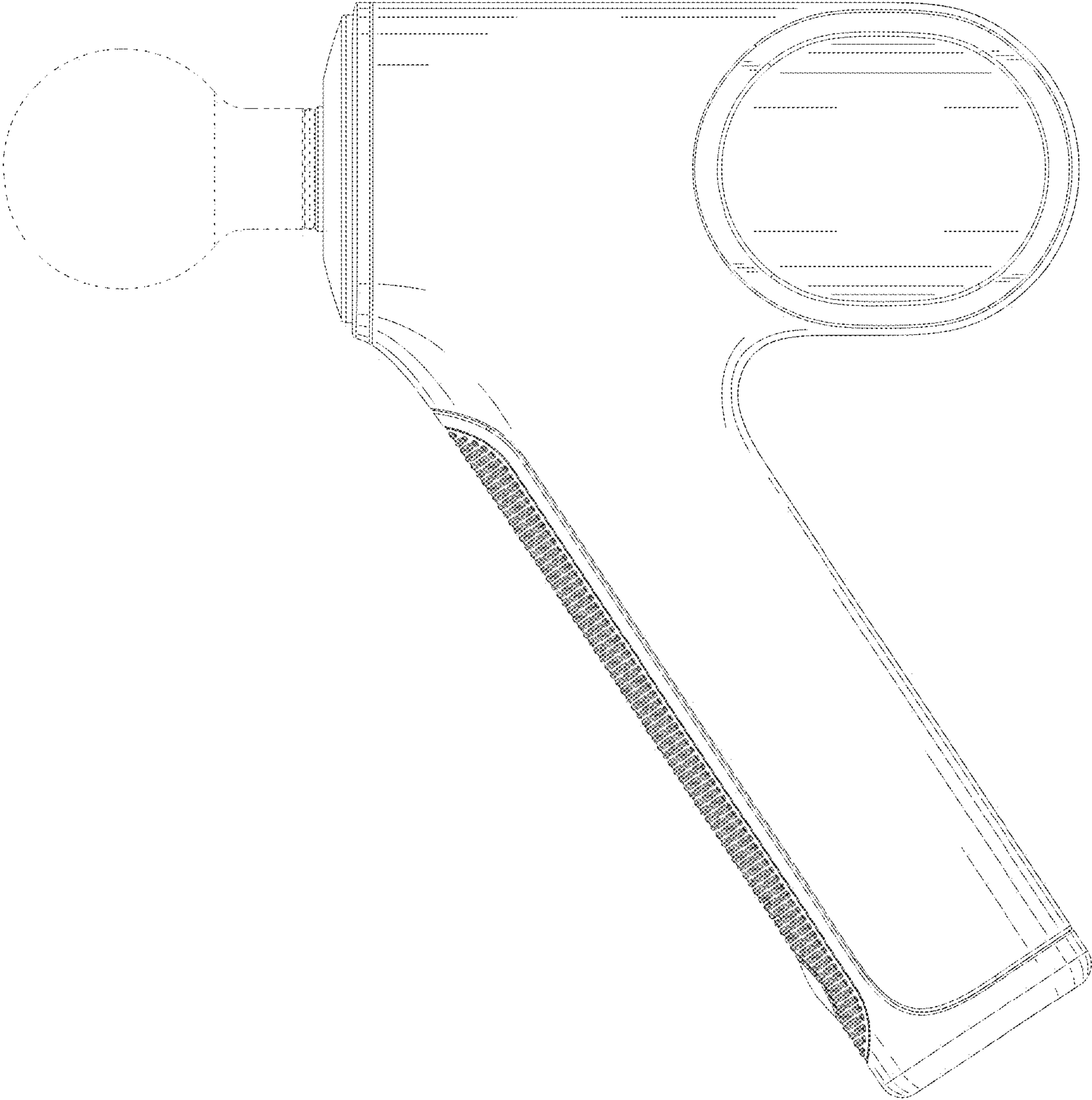


FIG. 3

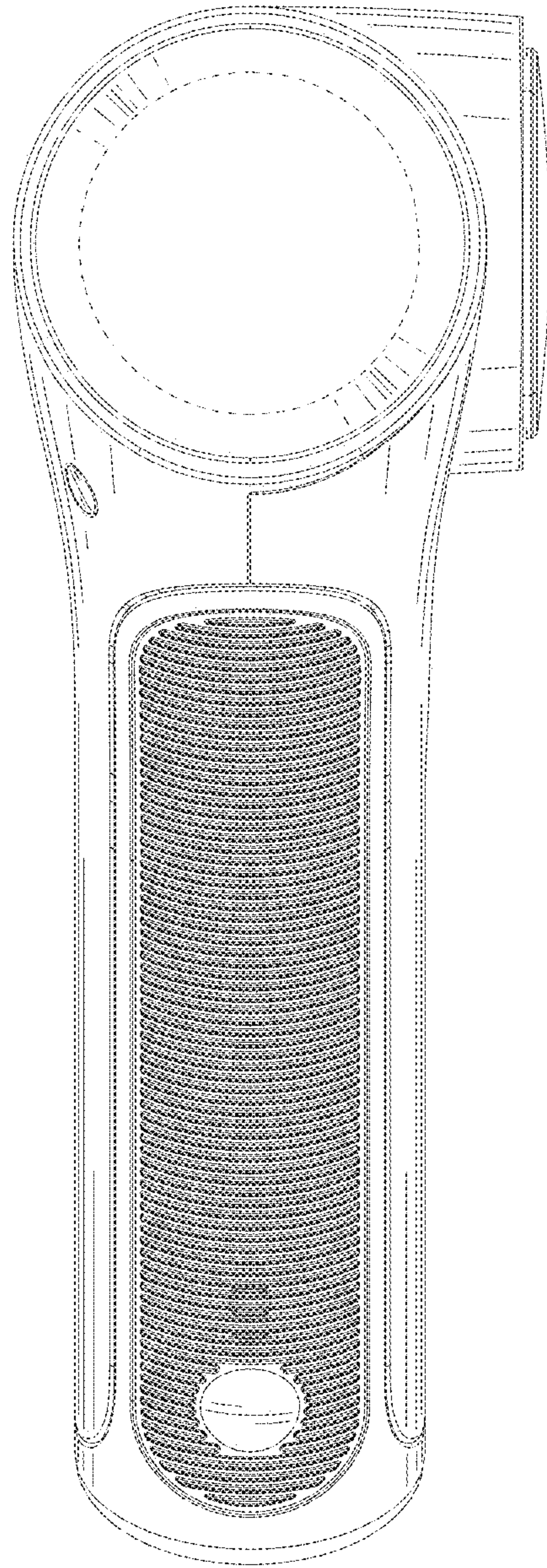


FIG. 4

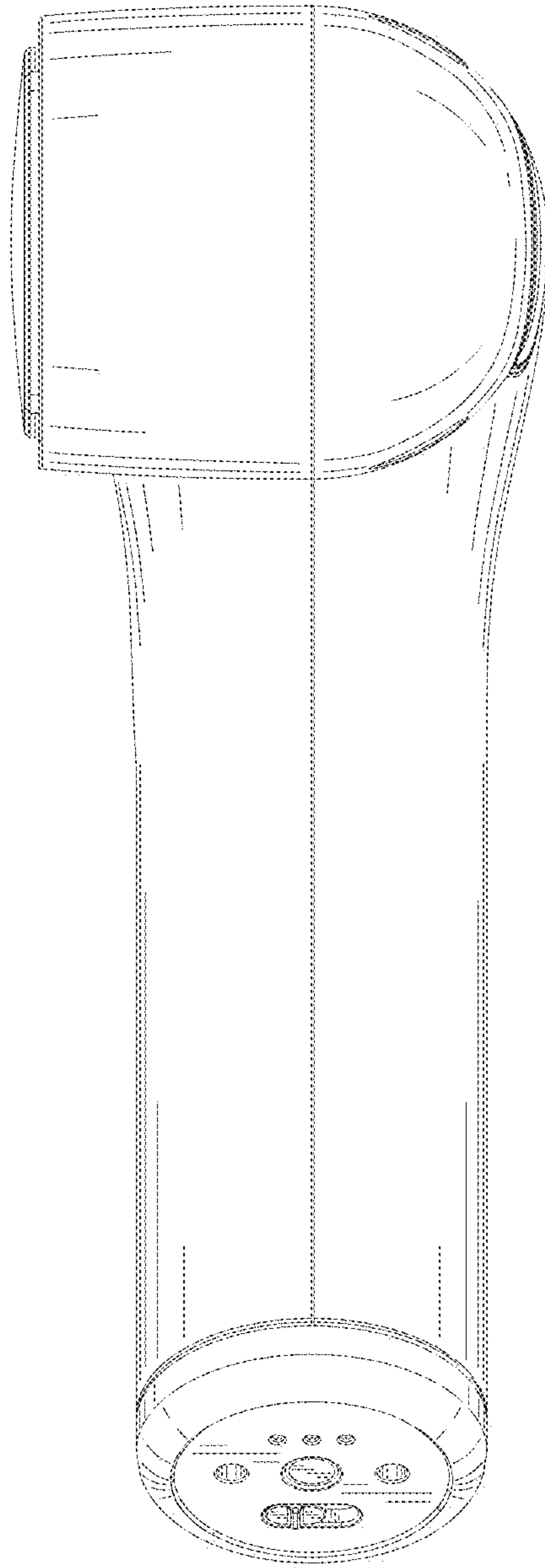


FIG. 5

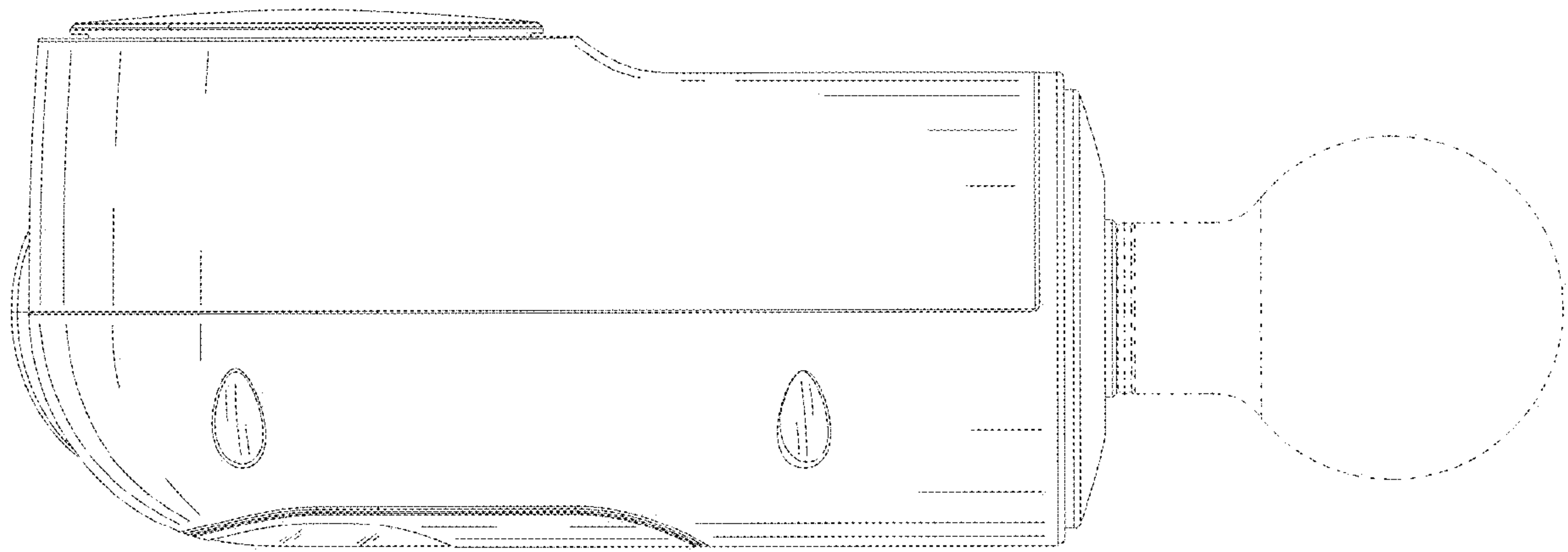


FIG. 6

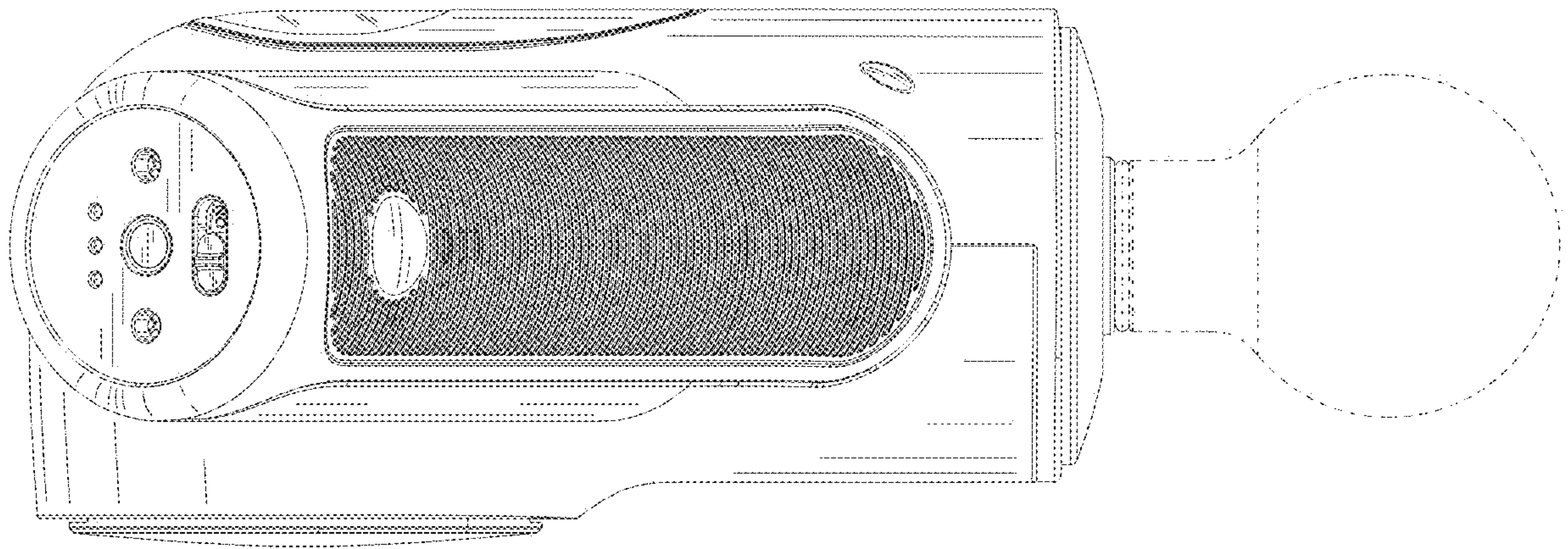


FIG. 7

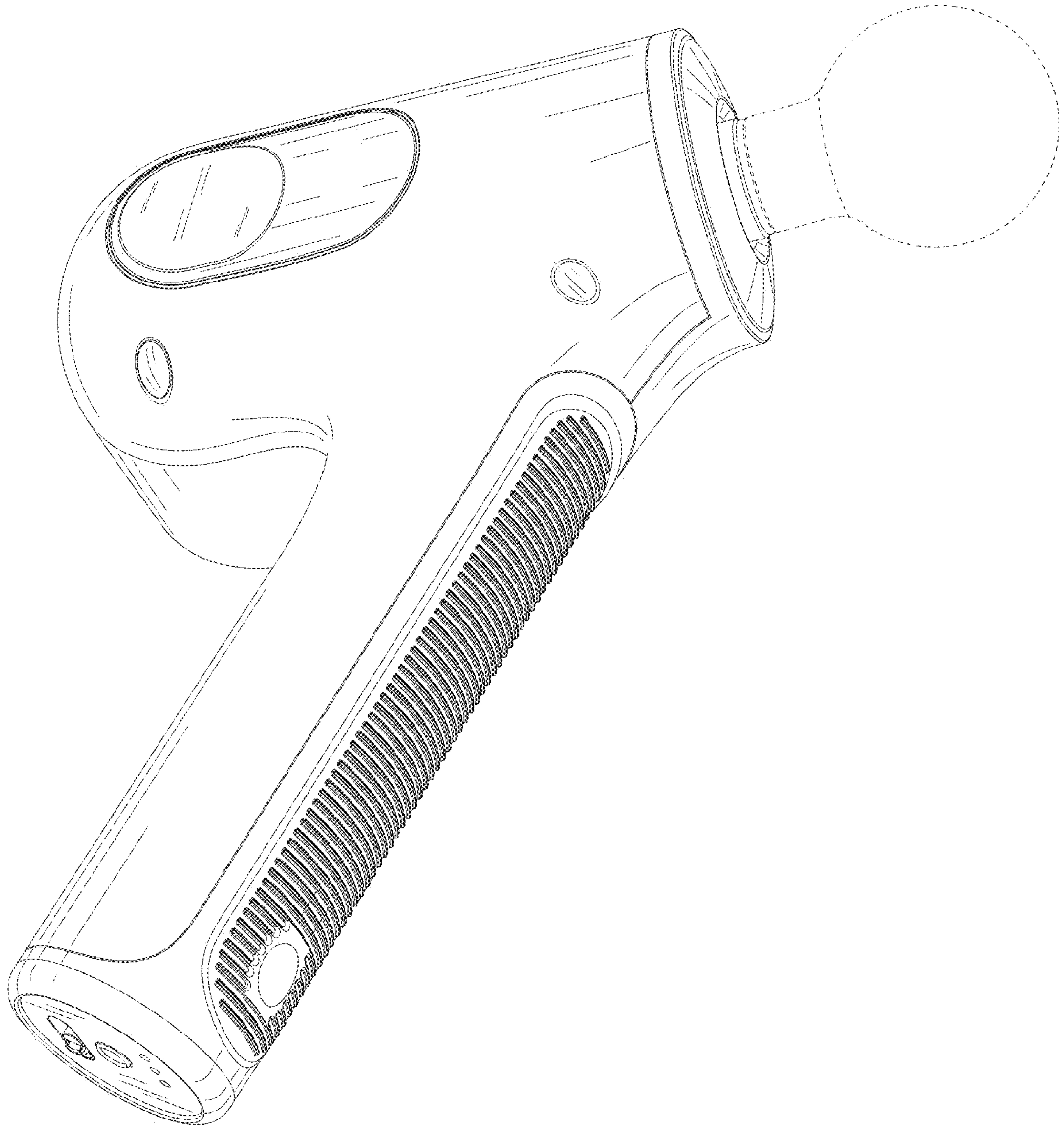


FIG. 8

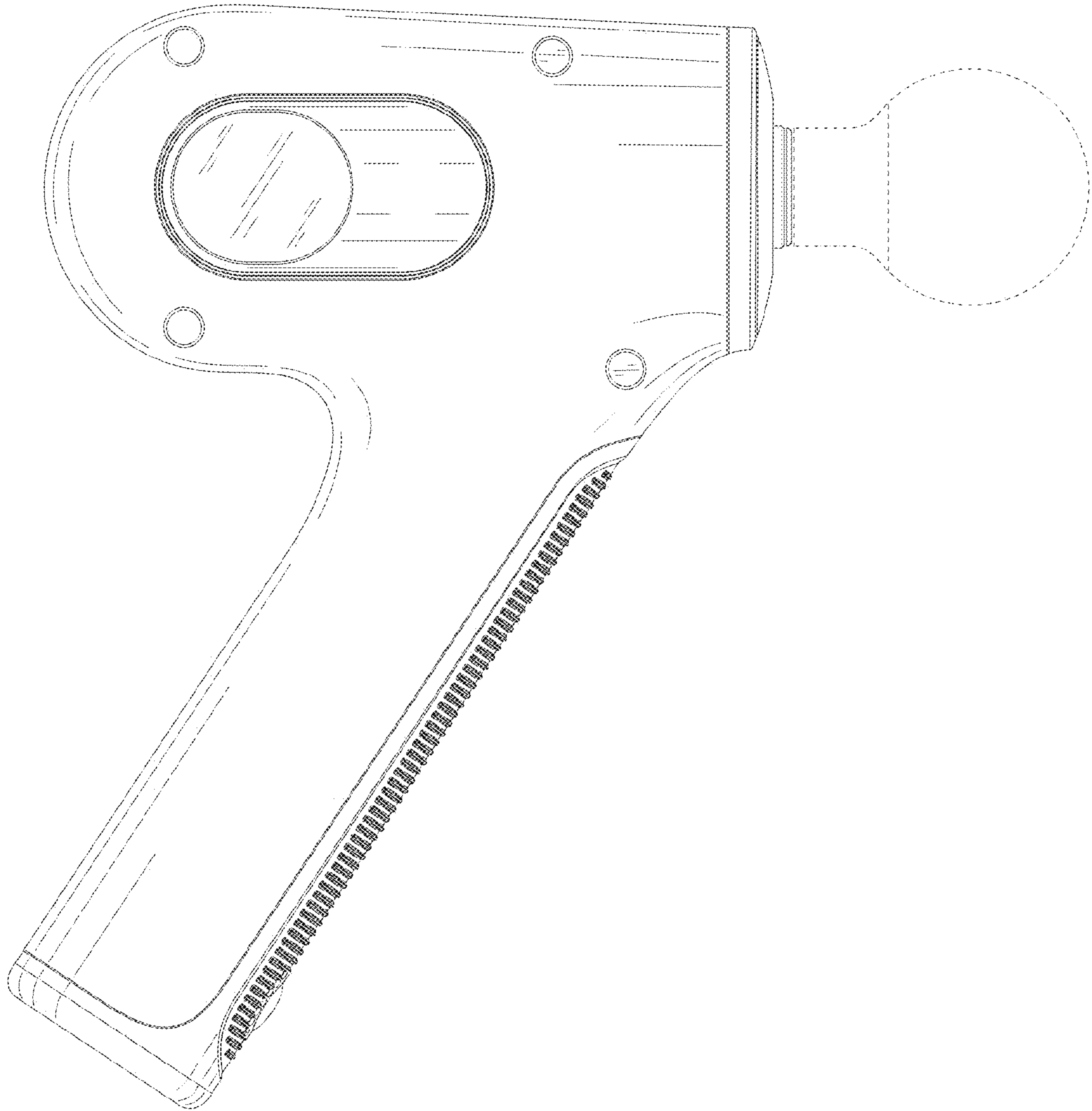


FIG. 9

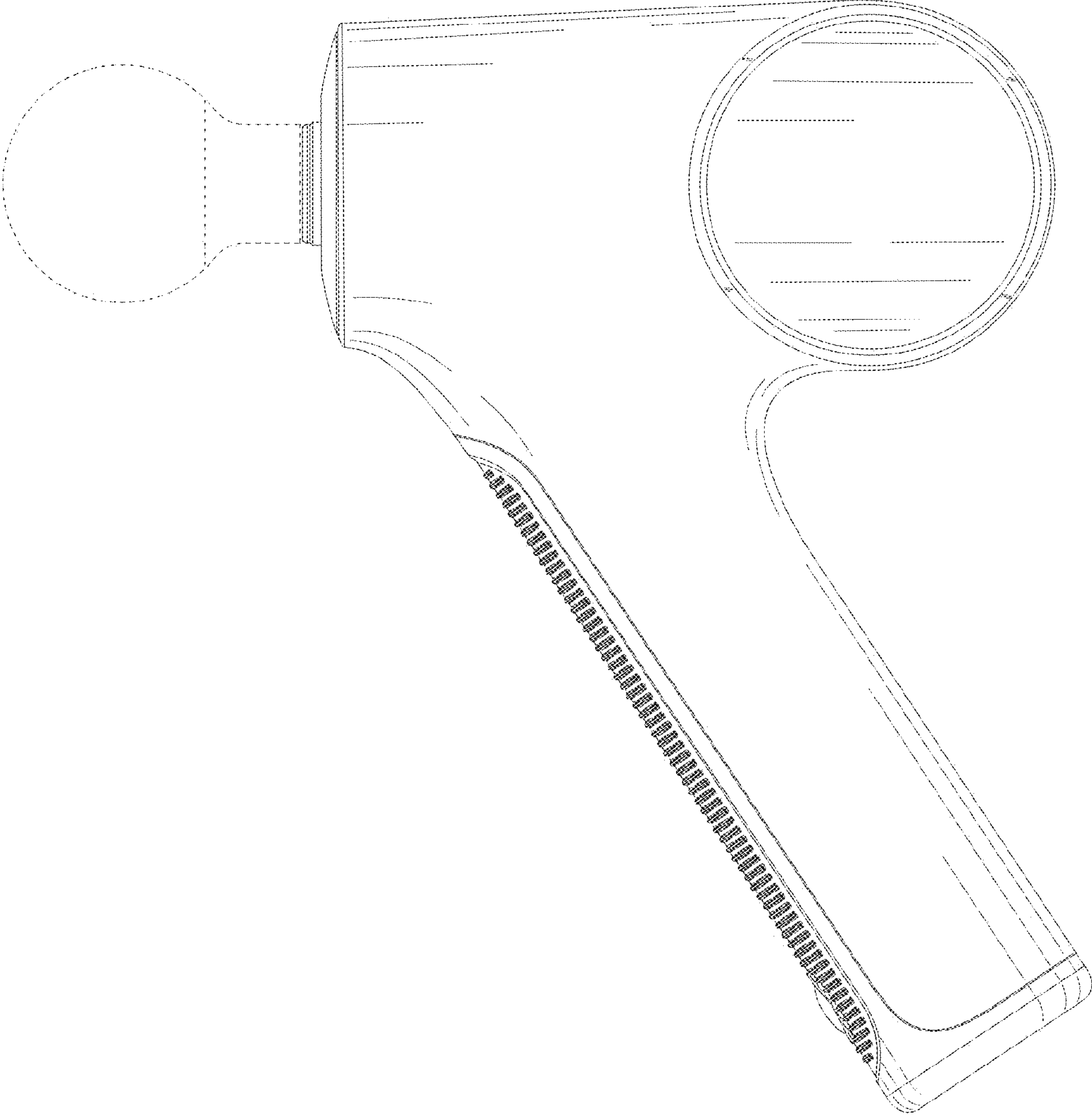


FIG. 10

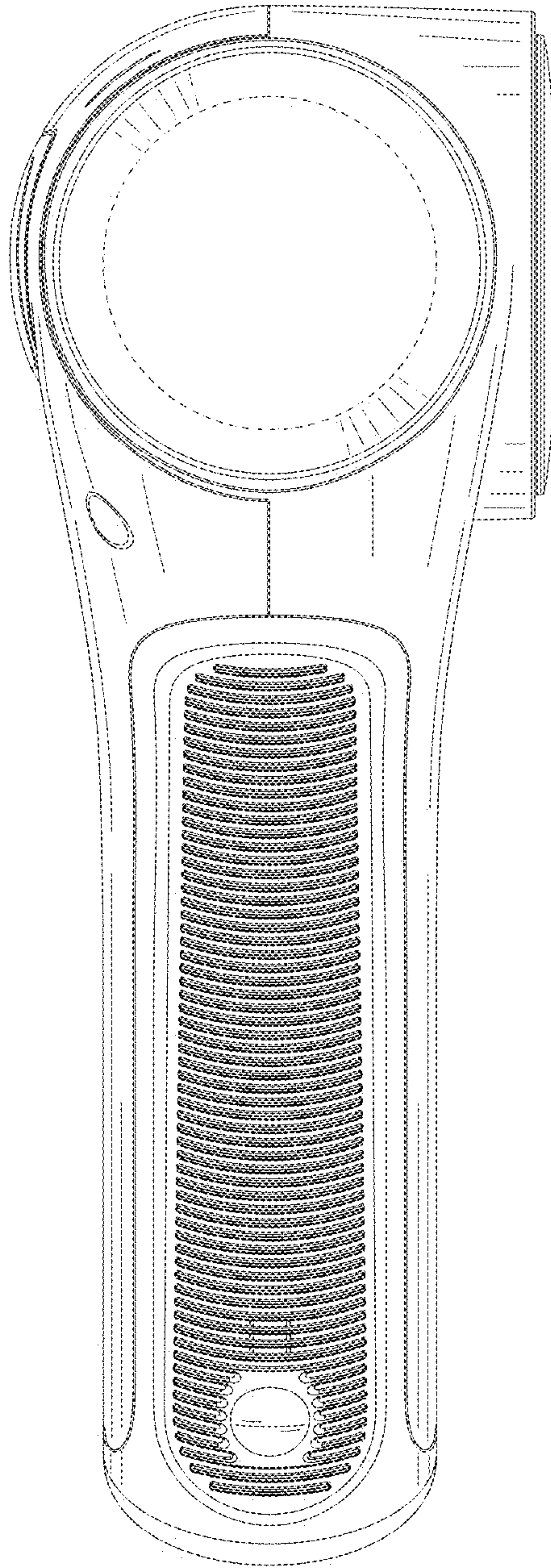


FIG. 11

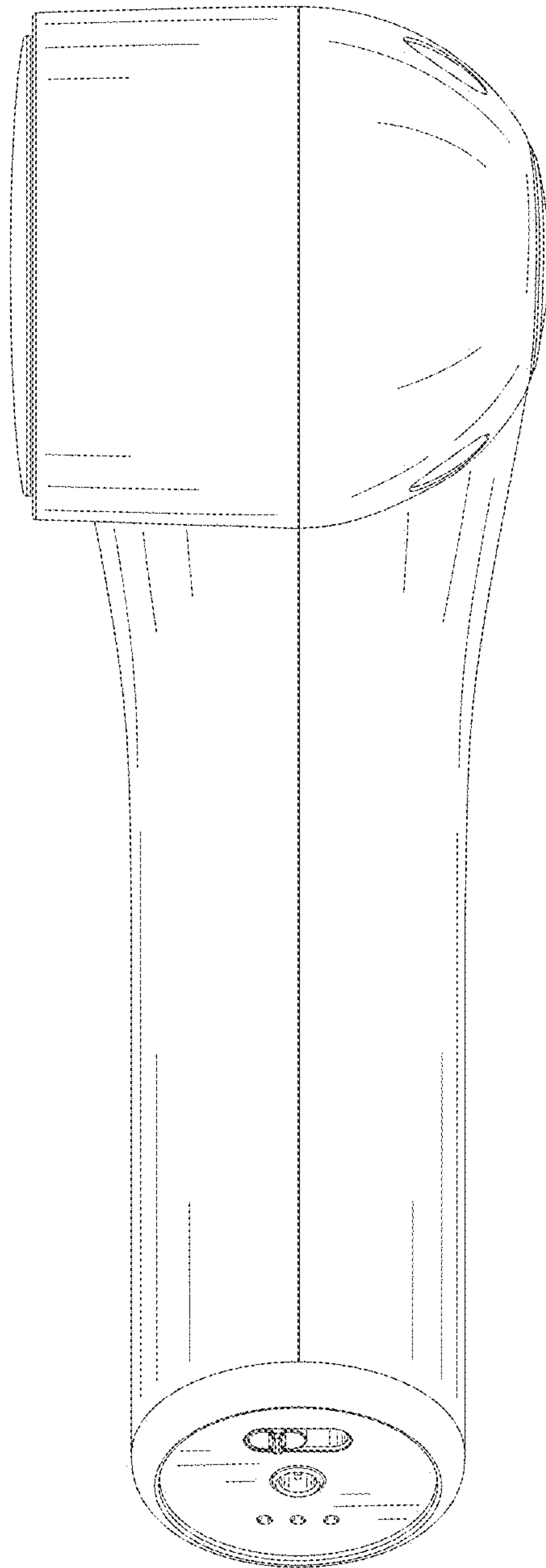


FIG. 12

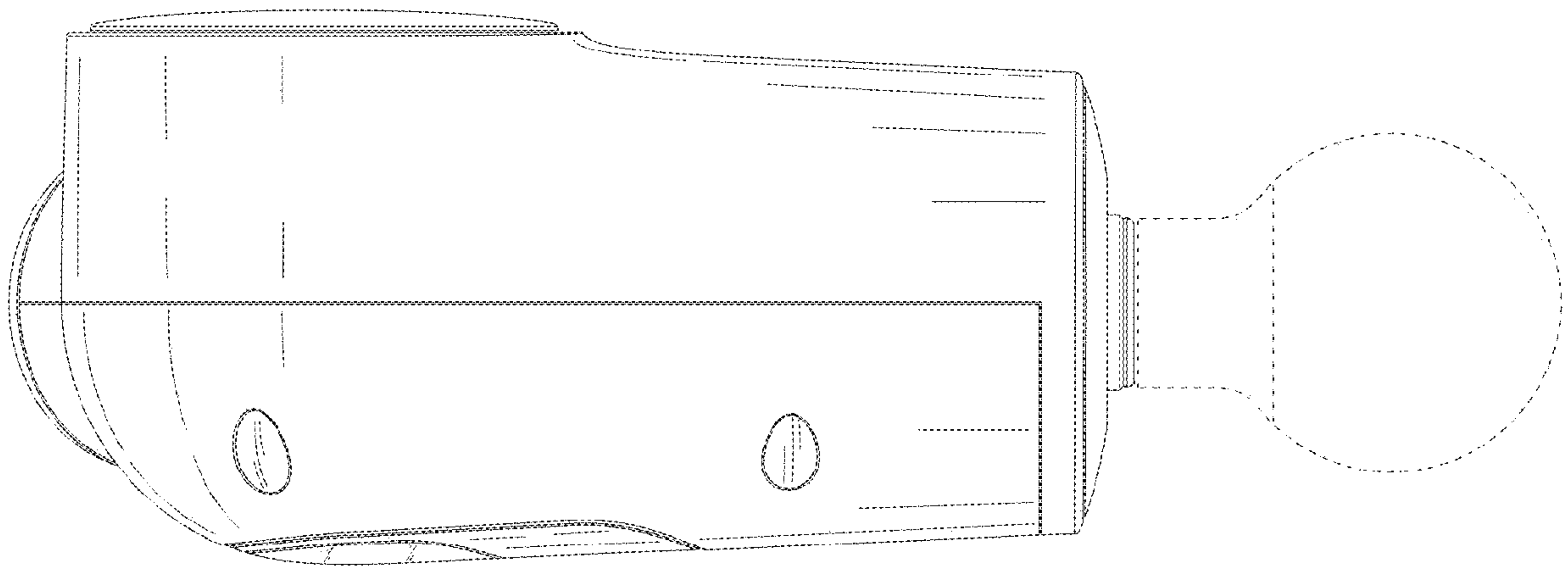


FIG. 13

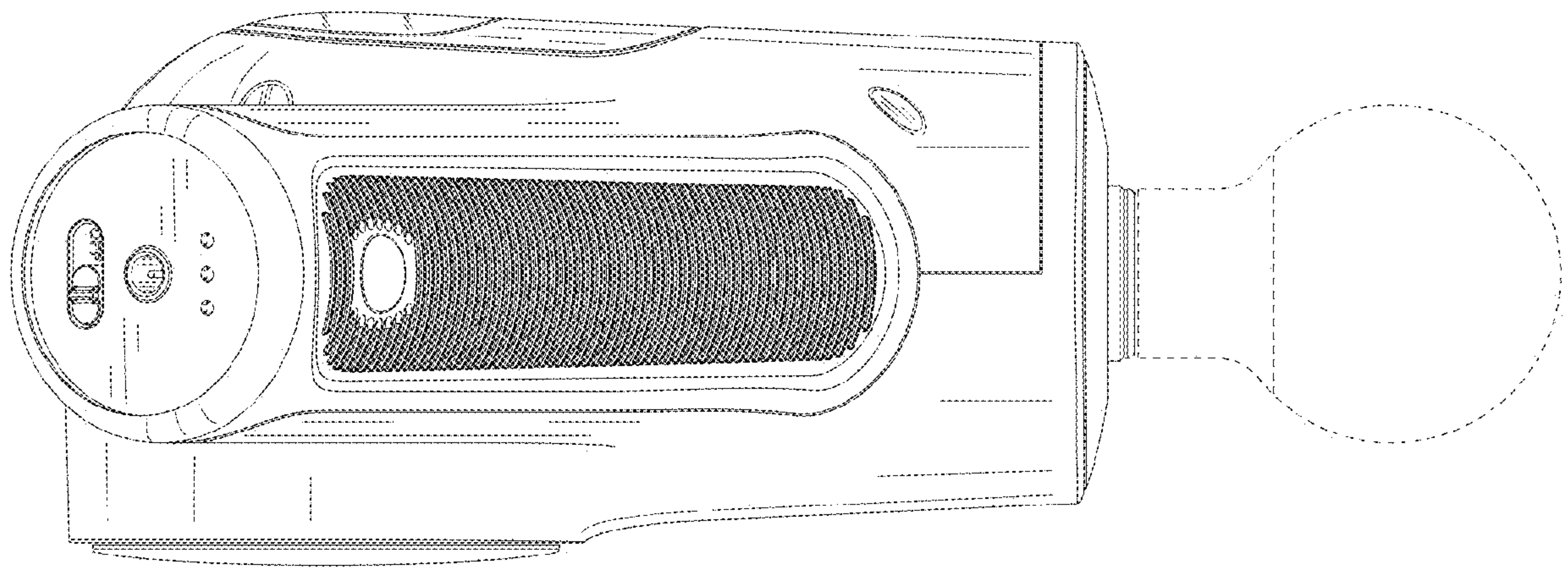


FIG. 14