



US00D923186S

(12) **United States Design Patent** (10) **Patent No.:** **US D923,186 S**
Guo (45) **Date of Patent:** **** Jun. 22, 2021**

(54) **EYE MASK WITH REMOVABLE EYE PADS**

(71) Applicant: **Weiwei Guo**, Guangdong (CN)

(72) Inventor: **Weiwei Guo**, Guangdong (CN)

(**) Term: **15 Years**

(21) Appl. No.: **29/675,479**

(22) Filed: **Jan. 2, 2019**

(51) **LOC (13) Cl.** **24-04**

(52) **U.S. Cl.**
USPC **D24/206**

(58) **Field of Classification Search**

USPC D24/191, 200, 201, 206, 207, 208,
D24/211–215, 111, 165, 185, 186, 182,
D24/183, 184, 187, 188, 189, 190, 192;
D23/314, 332, 333, 351; D6/608, 609,
D6/334, 335, 336, 365, 366, 604, 716,
D6/716.1–716.4, 596, 601; D3/327, 215,
D3/219, 263; D29/121.1, 101.2, 101.5,
D29/120.1; D16/100, 301, 303, 306, 309,
D16/311, 322, 330

CPC A61F 7/00; A61F 7/02; A61F 7/03; A61F
7/007; A61F 7/034; A61F 2013/00187;
A61F 2013/00204; A61F 2013/00906;
A61F 2007/0225; A61F 2007/0071; A61F
2007/0072; A61F 2007/0087; A61F
2007/0088; A61F 2007/0089; A61F 7/08;
A61F 7/086; A61F 7/10; A61F 7/103;
A61F 2007/0001; A61F 2007/0002; A61F
2007/003; A61F 2007/0219; A61F
2007/022; A61F 2007/023; A61F
2007/0231; A61F 2007/108; A61F 7/106;
A61F 2007/0011; A61F 2007/0249; A61F
2007/0098; A61F 2007/0003; A61F
2007/0004; A61F 2007/0291; A61F
2007/0228; A61F 9/00; A61F 9/026;
A61F 9/04; A61F 9/045; A61F 13/124;
A61F 13/12

See application file for complete search history.

(56) **References Cited**

U.S. PATENT DOCUMENTS

D258,532 S * 3/1981 Wagner D24/189
4,872,217 A * 10/1989 Kitayama A61F 9/04
2/15
D355,033 S * 1/1995 Lee D24/190
D392,742 S * 3/1998 Clark, Sr. D24/206
D396,294 S * 7/1998 Lahr D24/208
D465,234 S * 11/2002 Gordon D16/301
6,543,056 B2 * 4/2003 Spiteri A61F 9/04
2/15
D478,342 S * 8/2003 Magidson D16/301

(Continued)

FOREIGN PATENT DOCUMENTS

JP D1614378 * 9/2018

Primary Examiner — T Chase Nelson
Assistant Examiner — Kelly L Gross

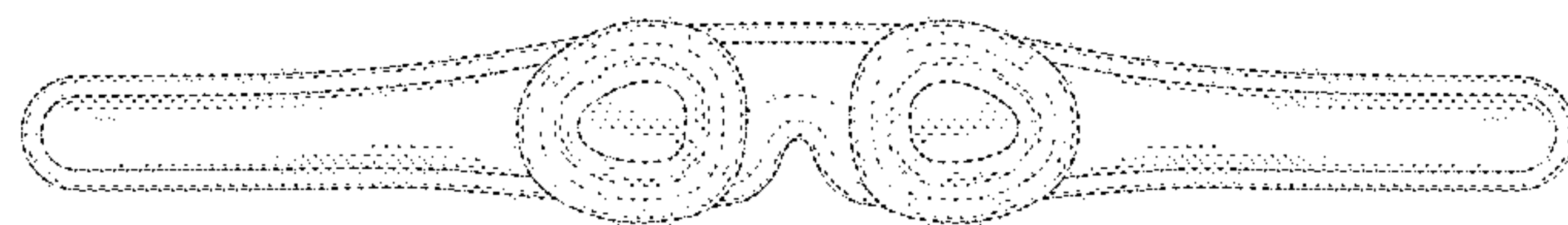
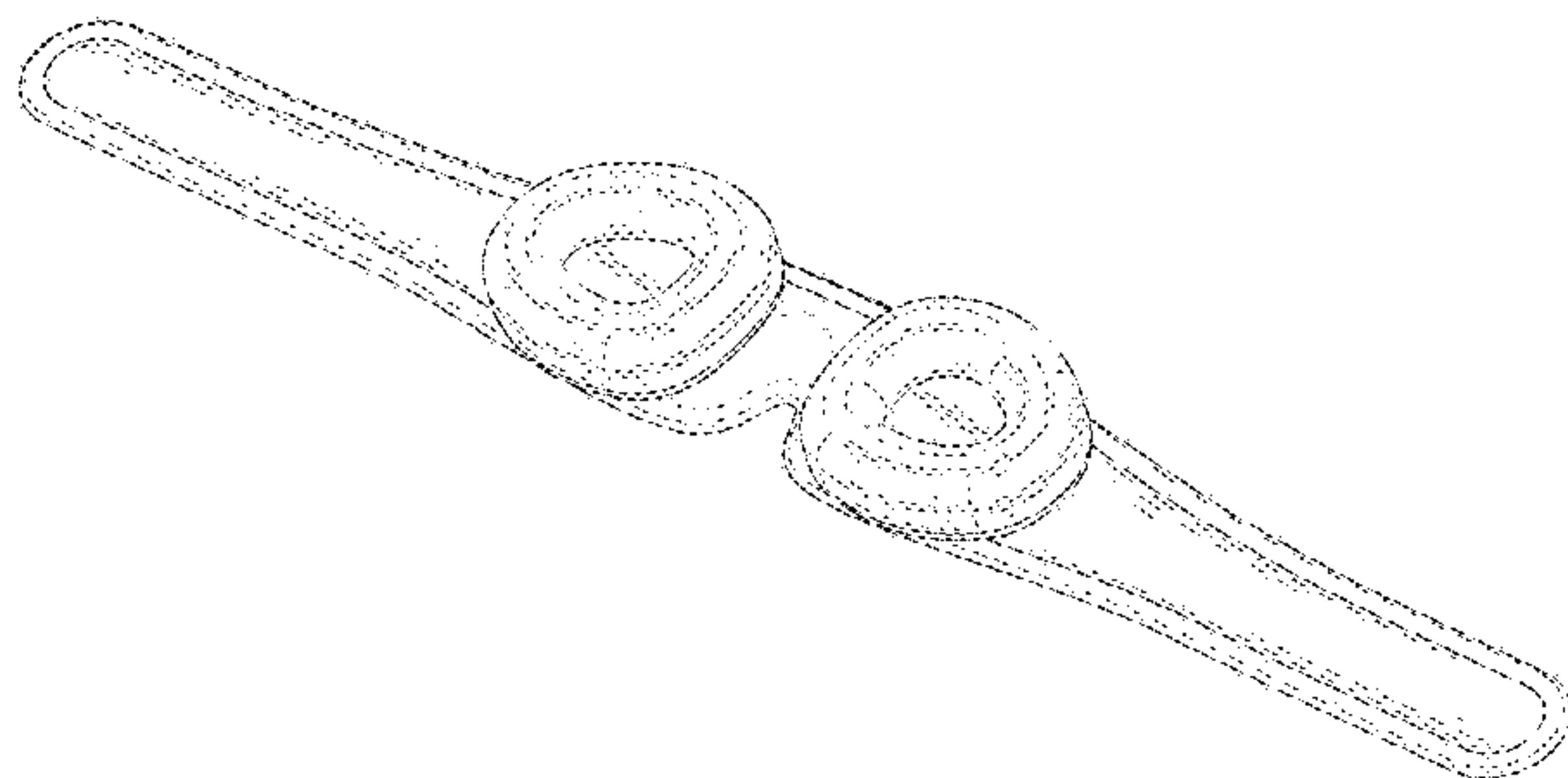
(57) **CLAIM**

The ornamental design for an eye mask with removable eye pads, as shown and described.

DESCRIPTION

FIG. 1 is a perspective view of an eye mask with removable eye pads, showing my new design.
FIG. 2 is a front view thereof.
FIG. 3 is a rear view thereof.
FIG. 4 is a left view thereof.
FIG. 5 is a right view thereof.
FIG. 6 is a top view thereof.
FIG. 7 is a bottom view thereof; and,
FIG. 8 is a perspective view showing an alternative configuration of an eye mask when the eye pads are separated. The broken lines in the drawings depict portions of the eye mask with removable eye pads that form no part of the claimed design.

1 Claim, 8 Drawing Sheets



(56)

References Cited

U.S. PATENT DOCUMENTS

D481,748 S * 11/2003 Magidson D16/101
 D489,749 S * 5/2004 Landvik D16/301
 7,024,712 B2 * 4/2006 Fujita B60N 2/7005
 5/653
 D558,353 S * 12/2007 Katz D24/189
 D592,236 S * 5/2009 McGrath D16/301
 D596,220 S * 7/2009 Decent D16/301
 D603,142 S * 11/2009 Wright D2/860
 D631,500 S * 1/2011 Schenk D16/301
 D637,436 S * 5/2011 Lovinger D6/601
 D668,703 S * 10/2012 Gordon D16/301
 D702,850 S * 4/2014 Yockel D24/207
 D702,971 S * 4/2014 Mitchell D6/601
 D703,826 S * 4/2014 Nishioka D24/206
 D704,850 S * 5/2014 Nishioka D24/206
 D708,661 S * 7/2014 Daugherty D16/312
 D717,362 S * 11/2014 Kaufer D16/301
 D722,727 S * 2/2015 Maruyama D29/109
 D726,244 S * 4/2015 Defranco D16/301
 D736,394 S * 8/2015 Owoc D24/190
 D739,543 S * 9/2015 Ma D24/215
 9,271,865 B2 * 3/2016 Yang A61F 7/0085
 D767,779 S * 9/2016 Qin D24/208
 D777,824 S * 1/2017 DeMarie D16/301
 9,572,718 B2 * 2/2017 Sternlight B60N 2/885
 9,592,149 B2 * 3/2017 Hidaka A61F 7/034
 D783,854 S * 4/2017 Biser D24/206
 D787,080 S * 5/2017 Baltazar A61F 7/02
 D24/206
 9,999,539 B2 * 6/2018 Johnson A61F 7/0241
 10,021,954 B2 * 7/2018 Wardaszka A45D 44/002
 10,039,693 B1 * 8/2018 Hoffman A61H 39/04
 D830,448 S * 10/2018 Hardi D16/301
 D831,837 S * 10/2018 Habib D24/206
 D841,179 S * 2/2019 Ma D24/215
 D844,795 S * 4/2019 Bruder D24/206
 D851,270 S * 6/2019 Biser D24/206
 D854,075 S * 7/2019 Carver D16/301
 10,349,177 B2 * 7/2019 Hanson A61F 9/04

D861,060 S * 9/2019 Zheng D16/301
 D861,771 S * 10/2019 Schwarz D16/301
 D861,772 S * 10/2019 Lian D16/301
 D862,568 S * 10/2019 Holtz D16/301
 10,426,666 B1 * 10/2019 Seidenfeld A61F 9/04
 10,449,085 B2 * 10/2019 Paulson A61F 9/04
 10,449,326 B2 * 10/2019 Genereux A61F 9/045
 D867,436 S * 11/2019 Lian A61F 9/04
 D16/301
 D867,437 S * 11/2019 Lian A61F 13/124
 D16/301
 D870,906 S * 12/2019 Bruder D24/206
 D871,598 S * 12/2019 Bruder A61F 9/04
 D24/206
 10,575,080 B2 * 2/2020 Dowding-Young A61F 9/045
 D880,573 S * 4/2020 Liang D16/312
 10,624,788 B2 * 4/2020 Lazor A41G 7/00
 D884,913 S * 5/2020 Peng D24/215
 10,646,377 B2 * 5/2020 Schwarz A61F 9/045
 D887,484 S * 6/2020 Guo D16/301
 D888,975 S * 6/2020 Fan D24/206
 D888,976 S * 6/2020 Fan D24/206
 D889,529 S * 7/2020 Guo A61F 9/04
 D16/301
 D890,248 S * 7/2020 Jordanov D16/330
 D906,405 S * 12/2020 Seidenfeld D16/301
 D906,633 S * 1/2021 Paradise D2/728
 D907,224 S * 1/2021 Wang D24/206
 D908,902 S * 1/2021 Baltazar D24/206
 D909,674 S * 2/2021 Xiong D28/9
 D911,429 S * 2/2021 Guo D16/301
 2007/0272246 A1 * 11/2007 Ulm A61F 9/04
 128/206.21
 2014/0331383 A1 * 11/2014 Bially A61F 9/04
 2/173
 2016/0008175 A1 * 1/2016 Bergman A61F 9/04
 2/171.2
 2016/0346129 A1 * 12/2016 Schaefer A61F 11/14
 2019/0000666 A1 * 1/2019 Bruder A61F 13/124
 2019/0133827 A1 * 5/2019 Carver A61F 9/04
 2020/0146890 A1 * 5/2020 Smith A45D 44/002

* cited by examiner

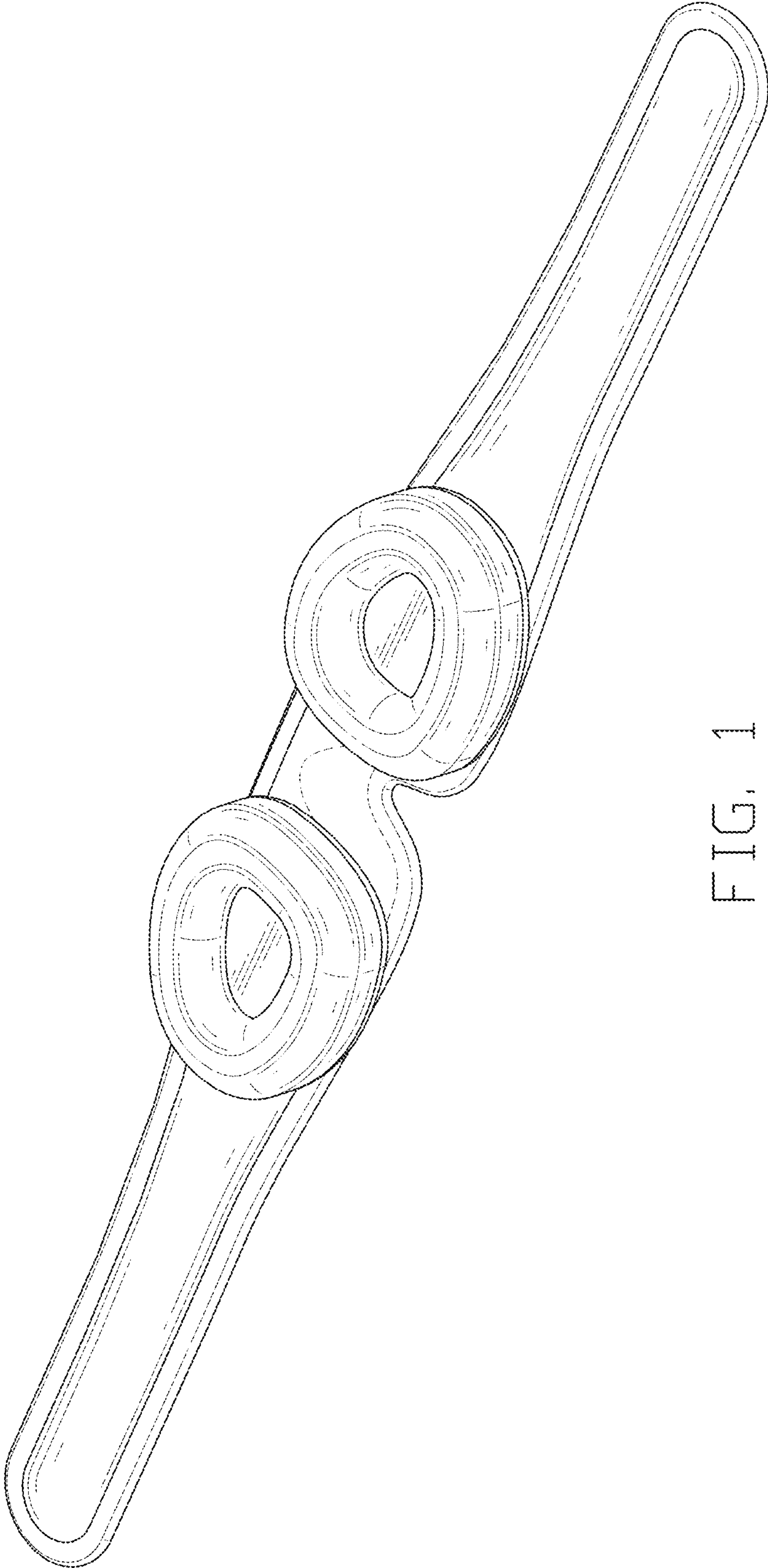


FIG. 1

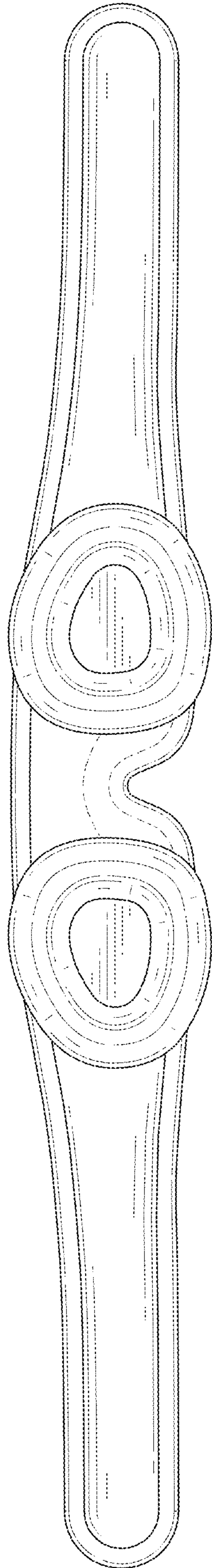


FIG. 2

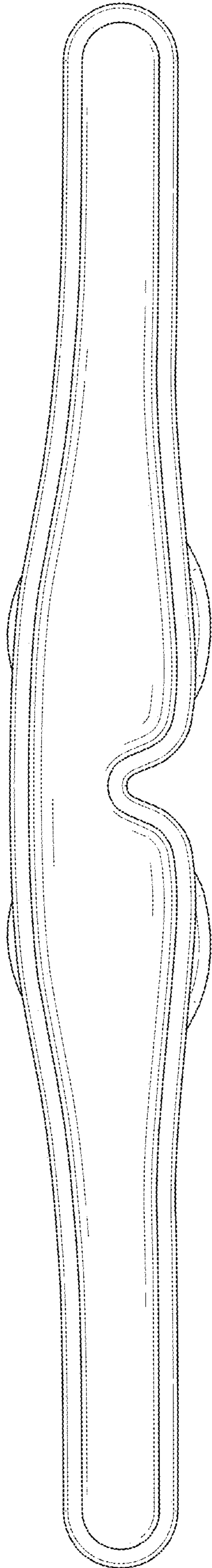


FIG. 3

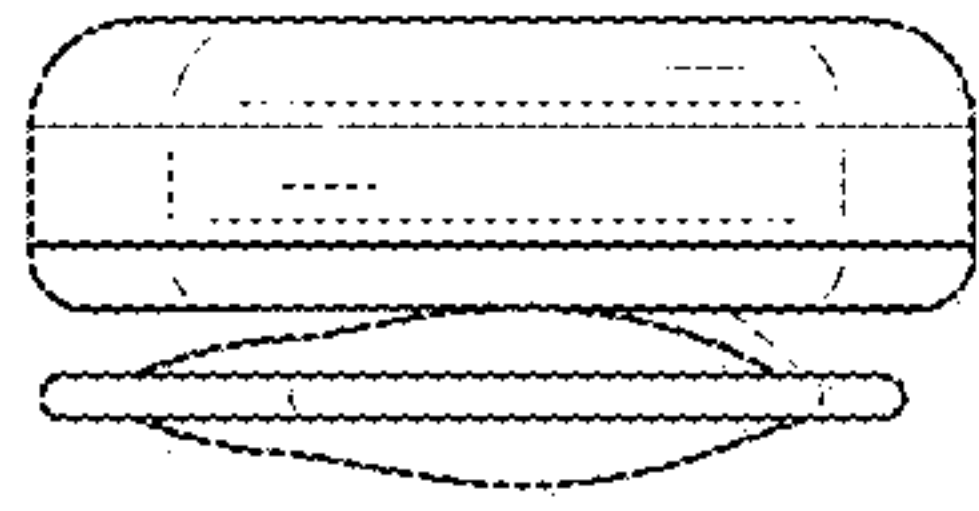


FIG. 4



FIG. 5

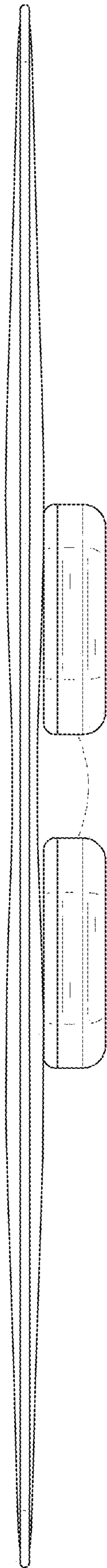


FIG. 6

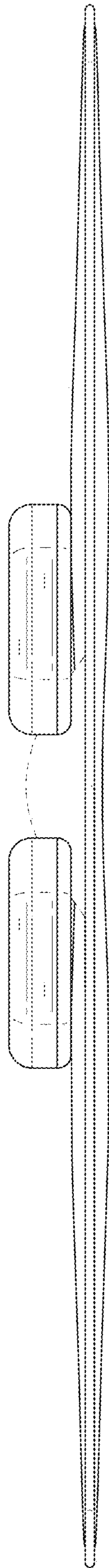


FIG. 7

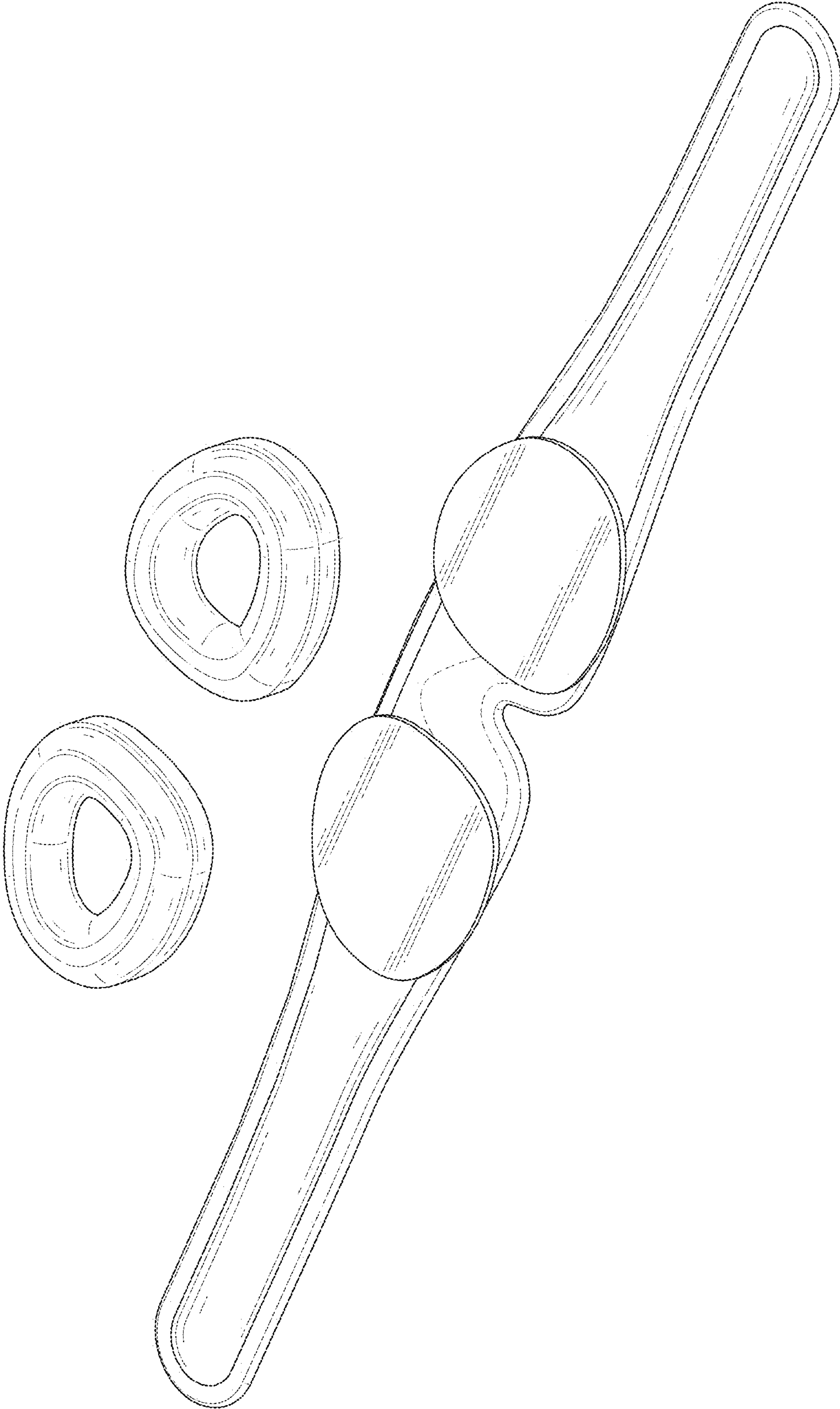


FIG. 8