



US00D923184S

(12) **United States Design Patent** (10) **Patent No.:** **US D923,184 S**
Li (45) **Date of Patent:** **** Jun. 22, 2021**

(54) **ELBOW BRACE**
(71) Applicant: **Shenzhen Xilang E-commerce Co., Ltd.**, Guangdong (CN)
(72) Inventor: **Zishuai Li**, Guangdong (CN)
(**) Term: **15 Years**
(21) Appl. No.: **29/762,529**
(22) Filed: **Dec. 17, 2020**
(51) **LOC (13) Cl.** **24-01**
(52) **U.S. Cl.**
USPC **D24/190**
(58) **Field of Classification Search**
USPC D24/190–192, 206; D29/121.1
CPC A61F 5/0123; A61F 5/0118; A61F 5/0125;
A61F 5/0106; A61F 13/108; A61F 5/01;
A61F 5/05841; A61F 5/05858; A41D
13/08; A41D 13/0568
See application file for complete search history.

D908,974 S * 1/2021 Chang D29/121.1
2006/0144883 A1* 7/2006 Kouloulis A45C 1/04
224/222
2014/0316314 A1* 10/2014 Schubert A61H 9/0078
601/149

* cited by examiner

Primary Examiner — Jennifer L Watkins

(57) **CLAIM**

The ornamental design for an elbow brace, as shown and described.

DESCRIPTION

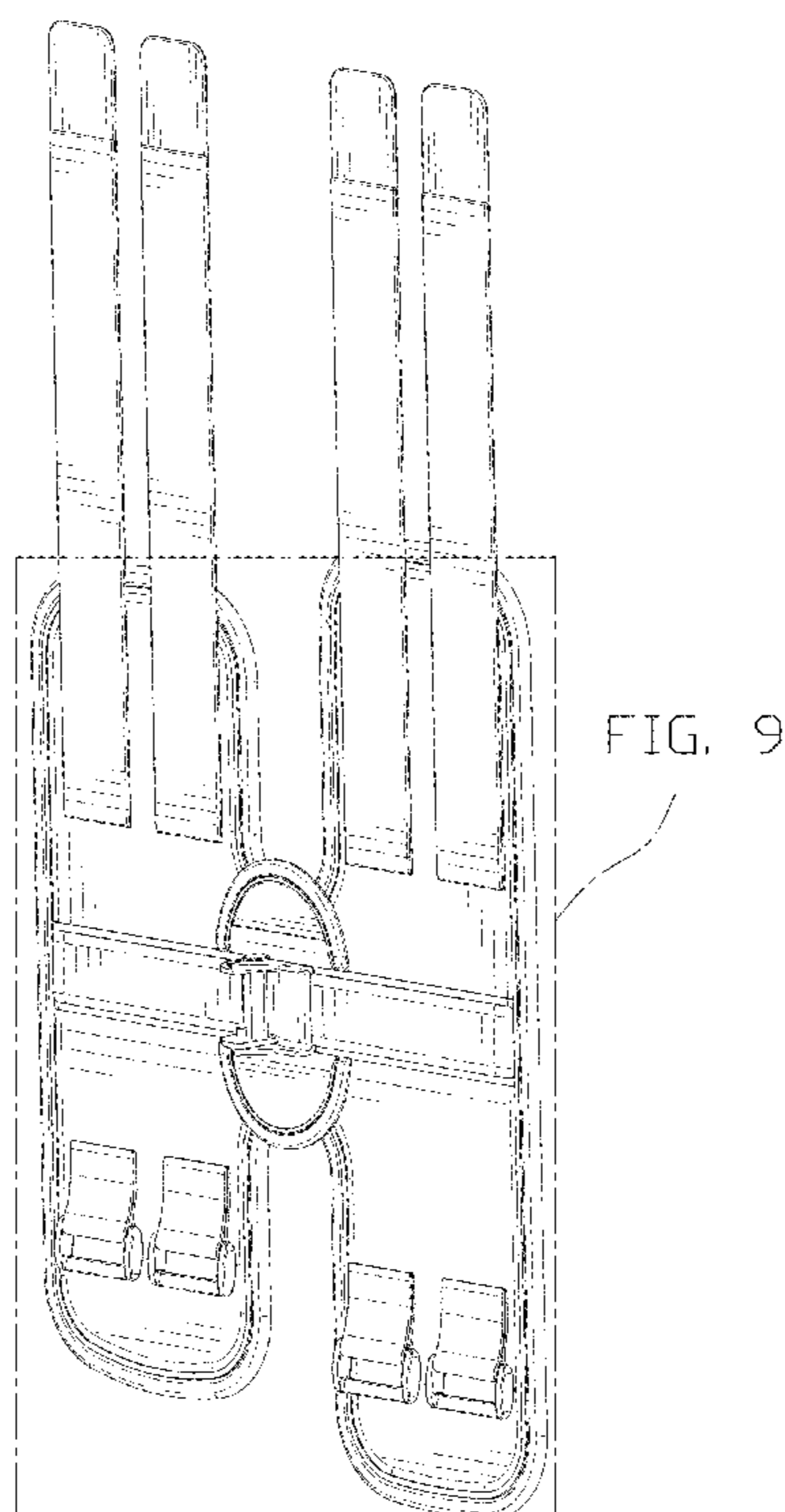
FIG. 1 is a front and top perspective view of an elbow brace, showing my new design;
FIG. 2 is a rear and bottom perspective view thereof;
FIG. 3 is a front elevational view thereof;
FIG. 4 is a rear elevational view thereof;
FIG. 5 is a left side elevational view thereof;
FIG. 6 is a right side elevational view thereof;
FIG. 7 is a top plan view thereof;
FIG. 8 is a bottom plan view thereof;
FIG. 9 is an enlarged view of a portion labeled, 'FIG. 9' in FIG. 1; and,
FIG. 10 is an enlarged view of a portion labeled, 'FIG. 10' in FIG. 2.
The dashed broken lines in the figures illustrate portions of the article that form no part of the claimed design. The dash dot dash lines in FIGS. 1, 2, 9 and 10 are for the purpose of depicting the cut line of the enlarged view and form no part of the claim.

(56) **References Cited**

U.S. PATENT DOCUMENTS

D403,775 S *	1/1999	Davis	D24/190
D500,140 S *	12/2004	Krahner	D24/206
D533,668 S *	12/2006	Brown	D24/200
D626,241 S *	10/2010	Sagnip	D24/190
D626,245 S *	10/2010	Sagnip	D24/190
D717,453 S *	11/2014	Mahtani	D24/190
D720,860 S *	1/2015	Meyer	D24/190
D731,069 S *	6/2015	Bialek	D24/190
D876,650 S	2/2020	Larouche		
D891,626 S *	7/2020	Xu	D24/190
D904,619 S *	12/2020	Spyropoulos	D24/169

1 Claim, 10 Drawing Sheets



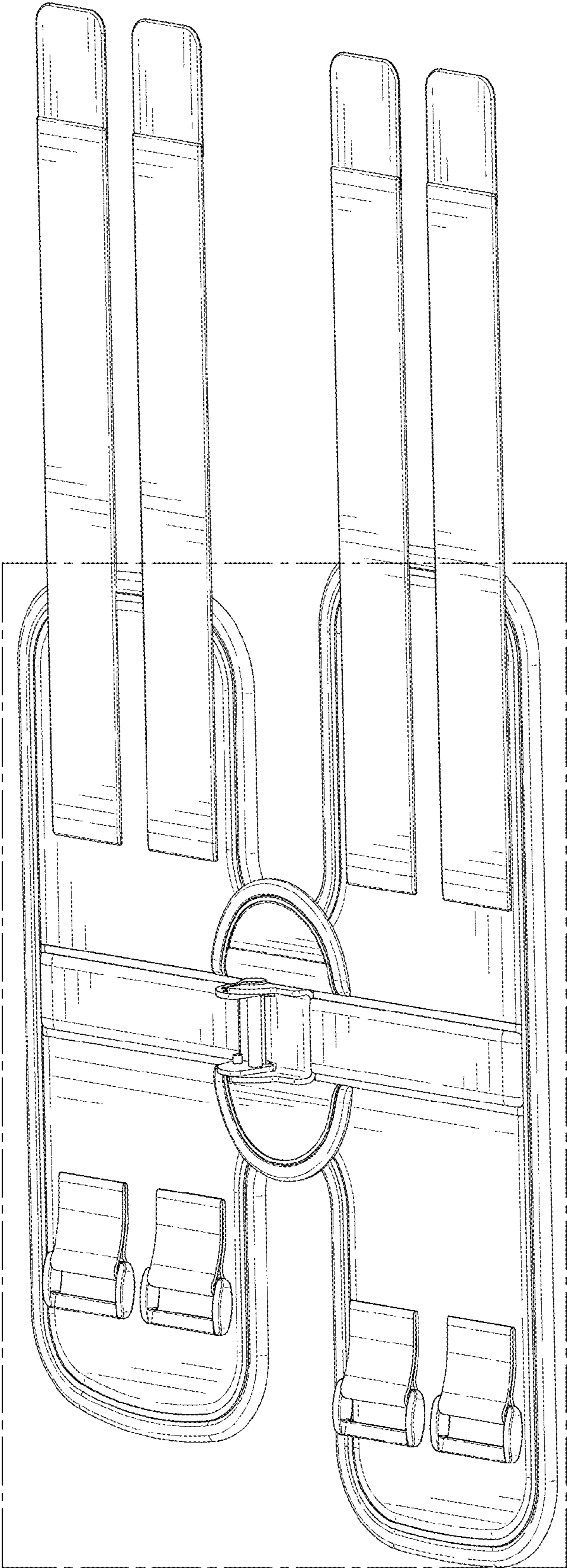


FIG. 9

FIG. 1

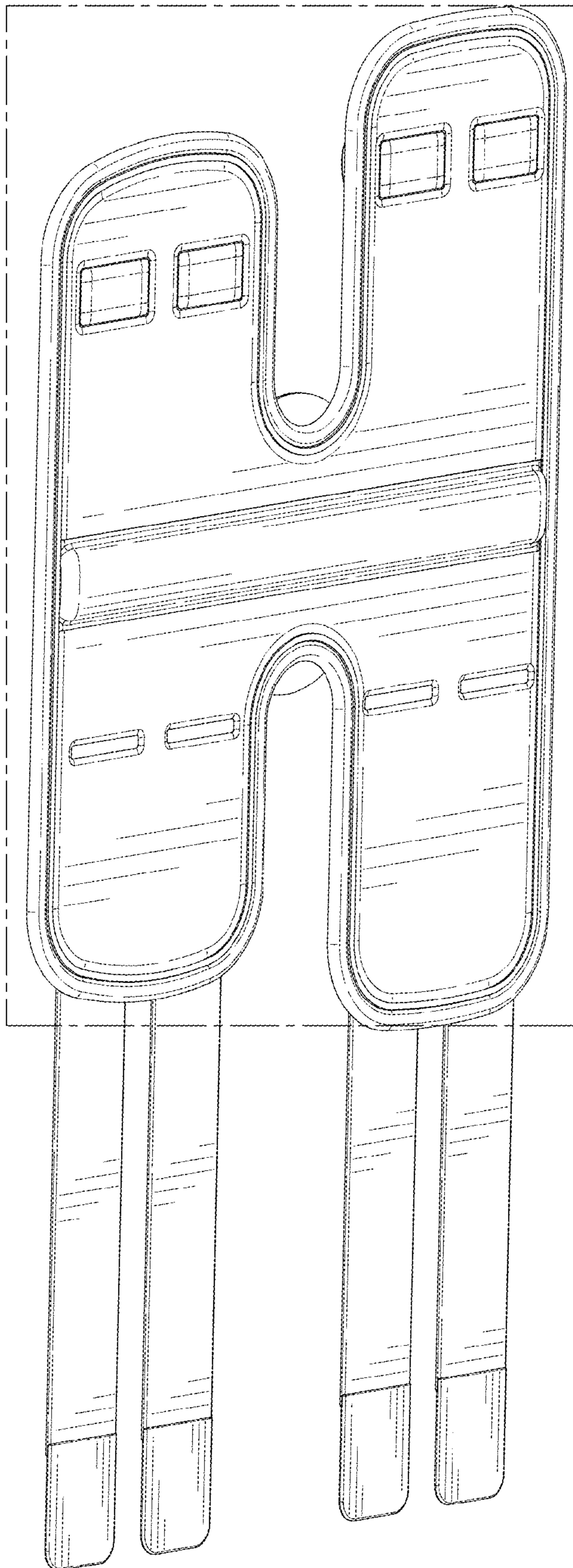


FIG. 10

FIG. 2

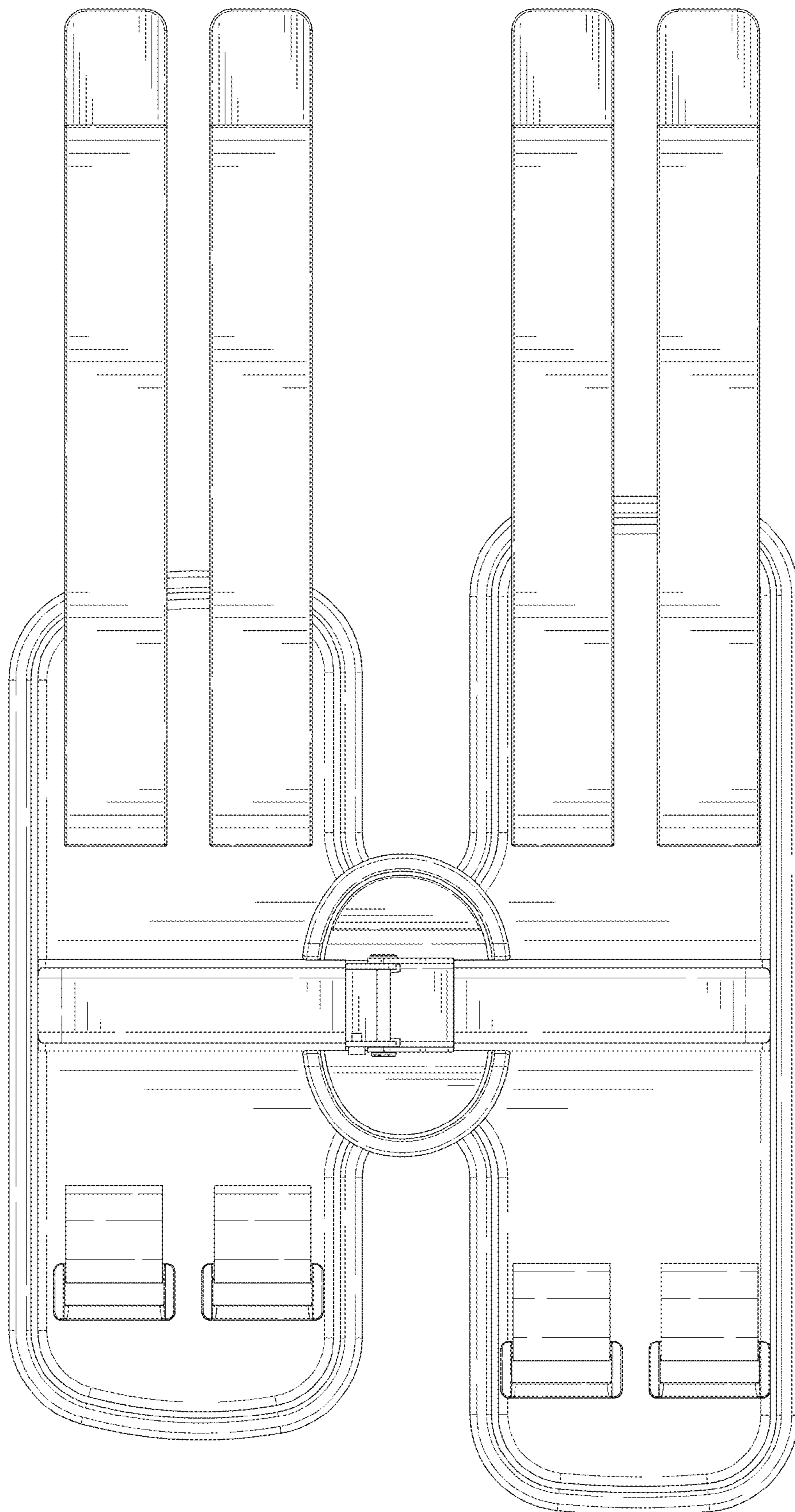


FIG. 3

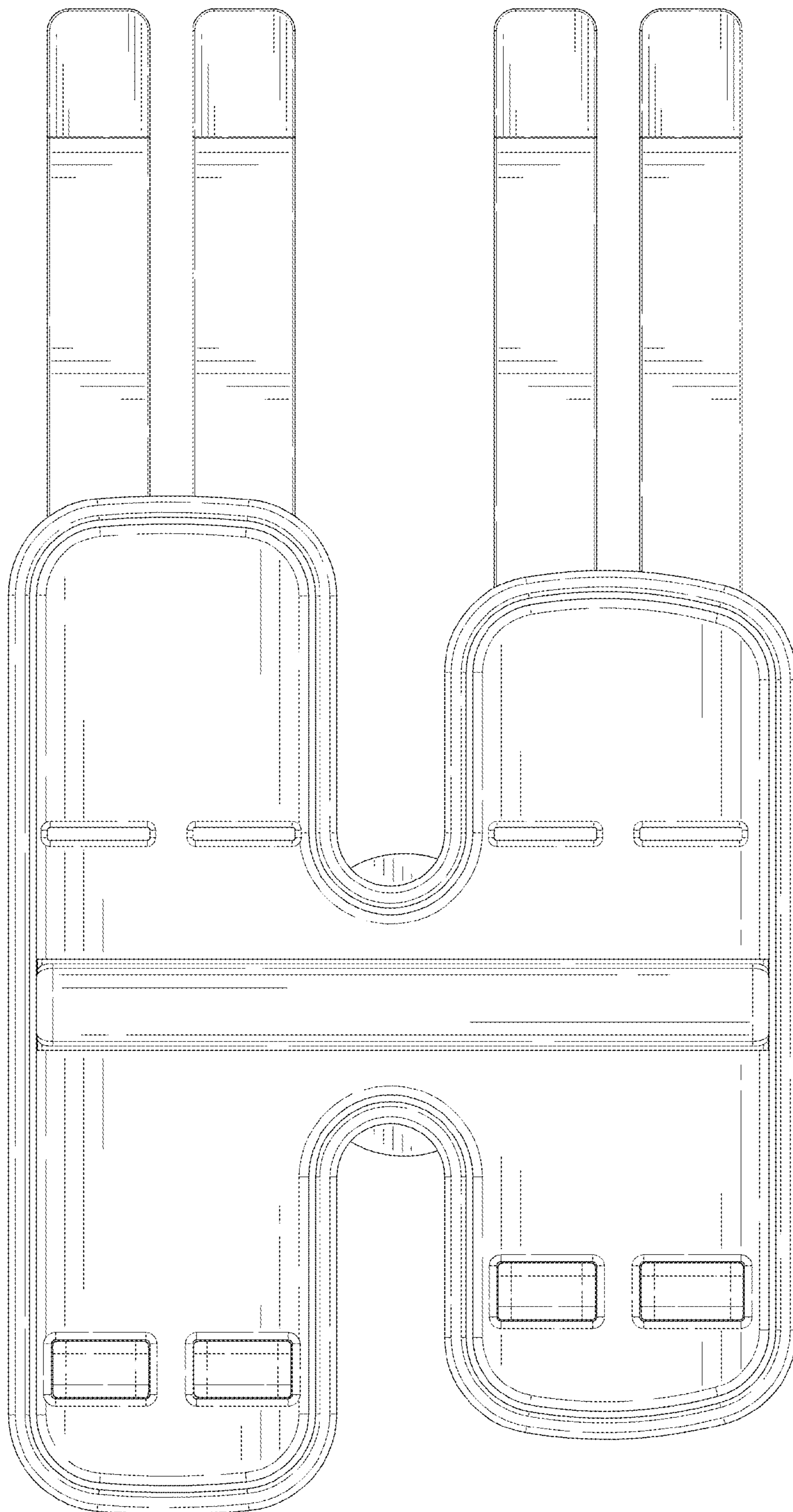


FIG. 4

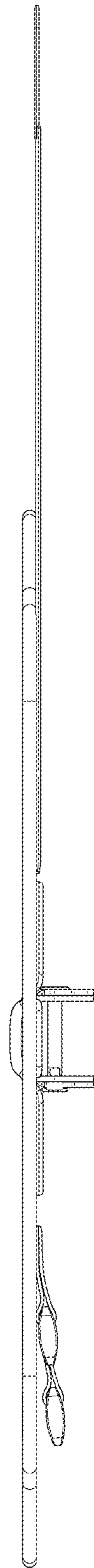


FIG. 5

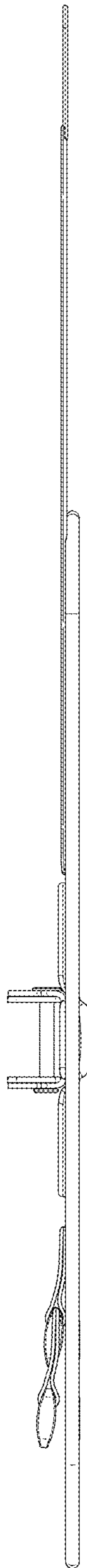


FIG. 6

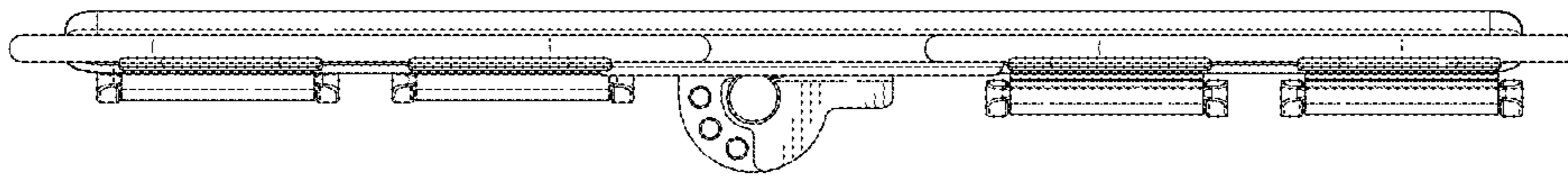


FIG. 7

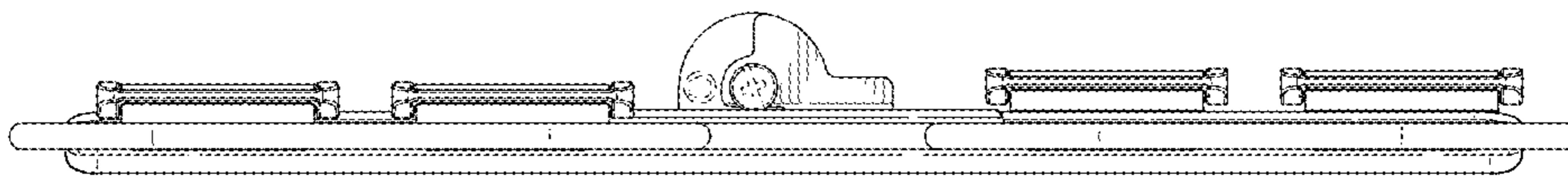


FIG. 8

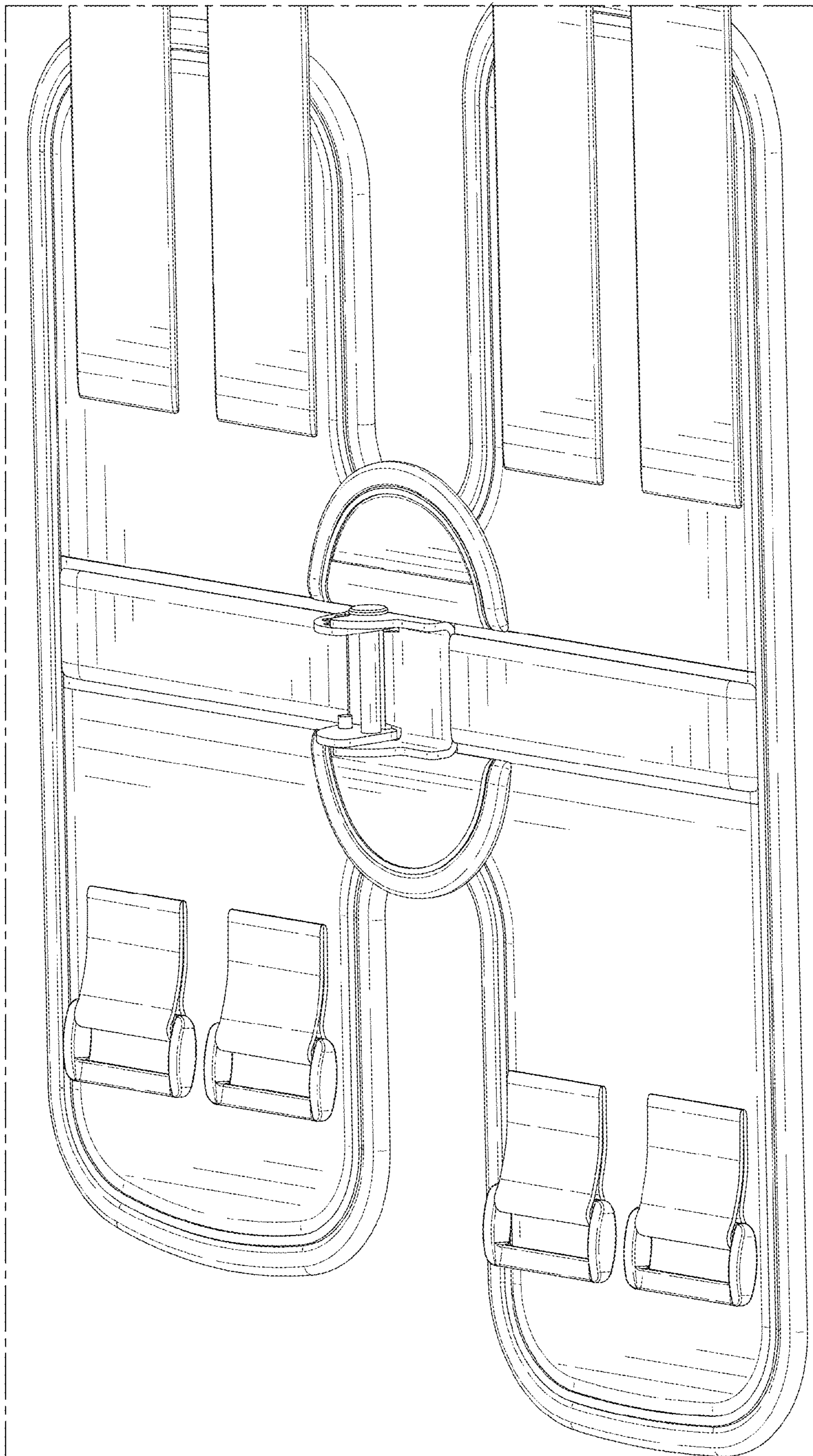


FIG. 9

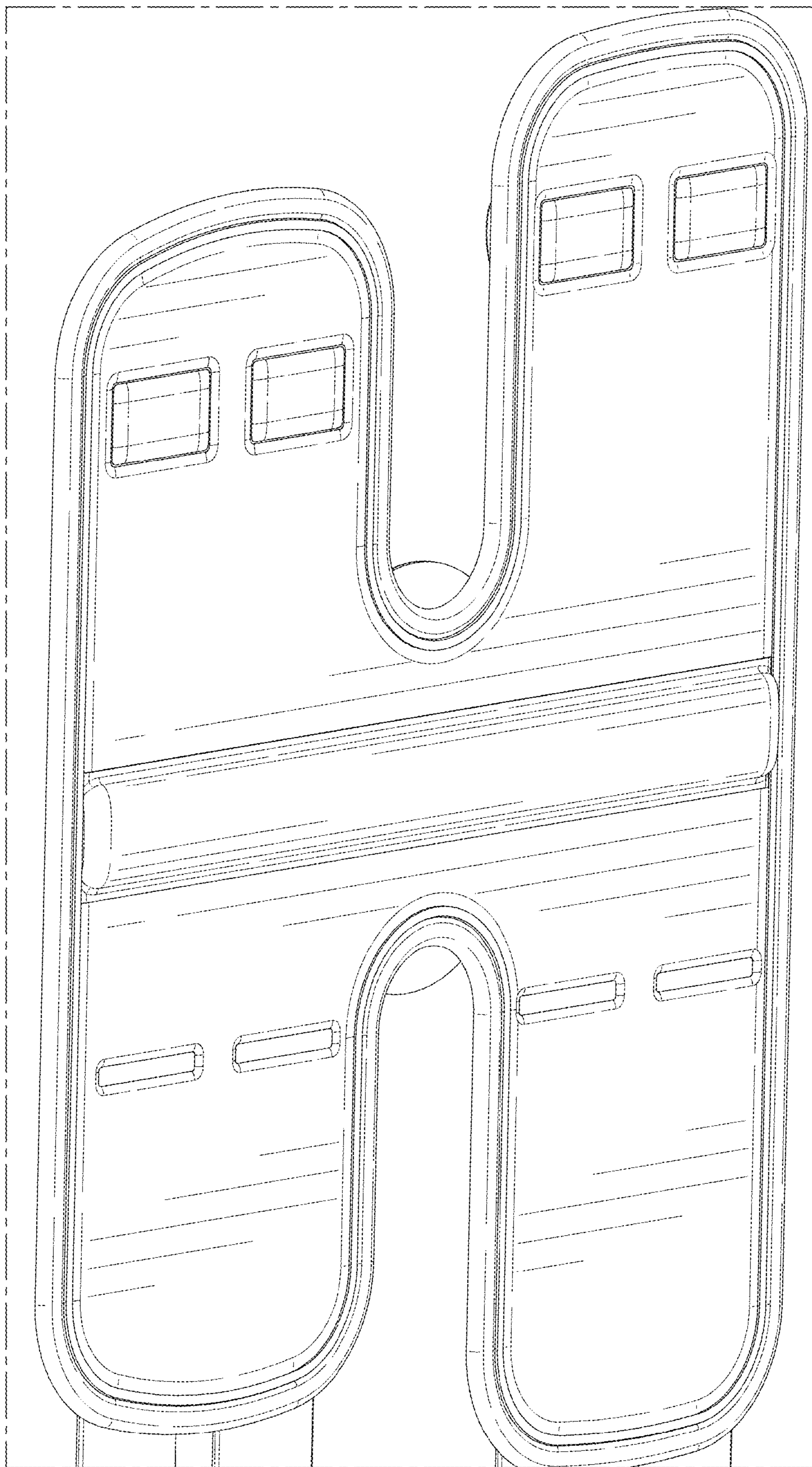


FIG. 10