



US00D923183S

(12) **United States Design Patent**
Fleming

(10) **Patent No.:** **US D923,183 S**
(45) **Date of Patent:** **** Jun. 22, 2021**

- (54) **LEG SUPPORT**
- (71) Applicant: **Vincent Fleming**, Seminole, FL (US)
- (72) Inventor: **Vincent Fleming**, Seminole, FL (US)
- (**) Term: **15 Years**
- (21) Appl. No.: **29/709,171**
- (22) Filed: **Oct. 11, 2019**
- (51) **LOC (13) Cl.** **24-02**
- (52) **U.S. Cl.**
USPC **D24/190**
- (58) **Field of Classification Search**
USPC D24/155, 183–186, 188, 190–193,
D24/203–204, 212, 213, 215;
D32/35–37; D3/213, 214, 315
CPC A61F 2/601; A61F 2/80; A61F 5/0109;
A61F 5/0118; A61F 13/085; Y10S
128/20; B32B 1/081; A41D 13/0568;
A41D 17/00; A41D 31/005; A41D 13/08;
A41D 13/065; A61H 9/0078; A61H
2209/00; A61H 2205/106; A61B 71/1225;
A61B 2071/1258
See application file for complete search history.

- 4,924,894 A * 5/1990 Martinez A61F 2/601
135/65
- D629,913 S * 12/2010 Beckwith D24/192
- D645,967 S * 9/2011 Sharps D24/184
- D649,773 S * 12/2011 Mahoney D3/7
- D693,479 S * 11/2013 McCall D24/231
- D694,414 S * 11/2013 Sparkes D24/190
- D735,871 S * 8/2015 Deardorf D24/188
- D808,536 S * 1/2018 Bright D24/190
- D847,371 S * 4/2019 Koseoglu D24/227
- 2017/0112639 A1 * 4/2017 Carter A61F 2/66

* cited by examiner

Primary Examiner — Susan Bennett Hattan

Assistant Examiner — Omeed Agilee

(74) *Attorney, Agent, or Firm* — Larson & Larson, P.A.;
Justin P. Miller; Frank Liebenow

(57) **CLAIM**

I claim the ornamental design for a leg support, as shown and described.

DESCRIPTION

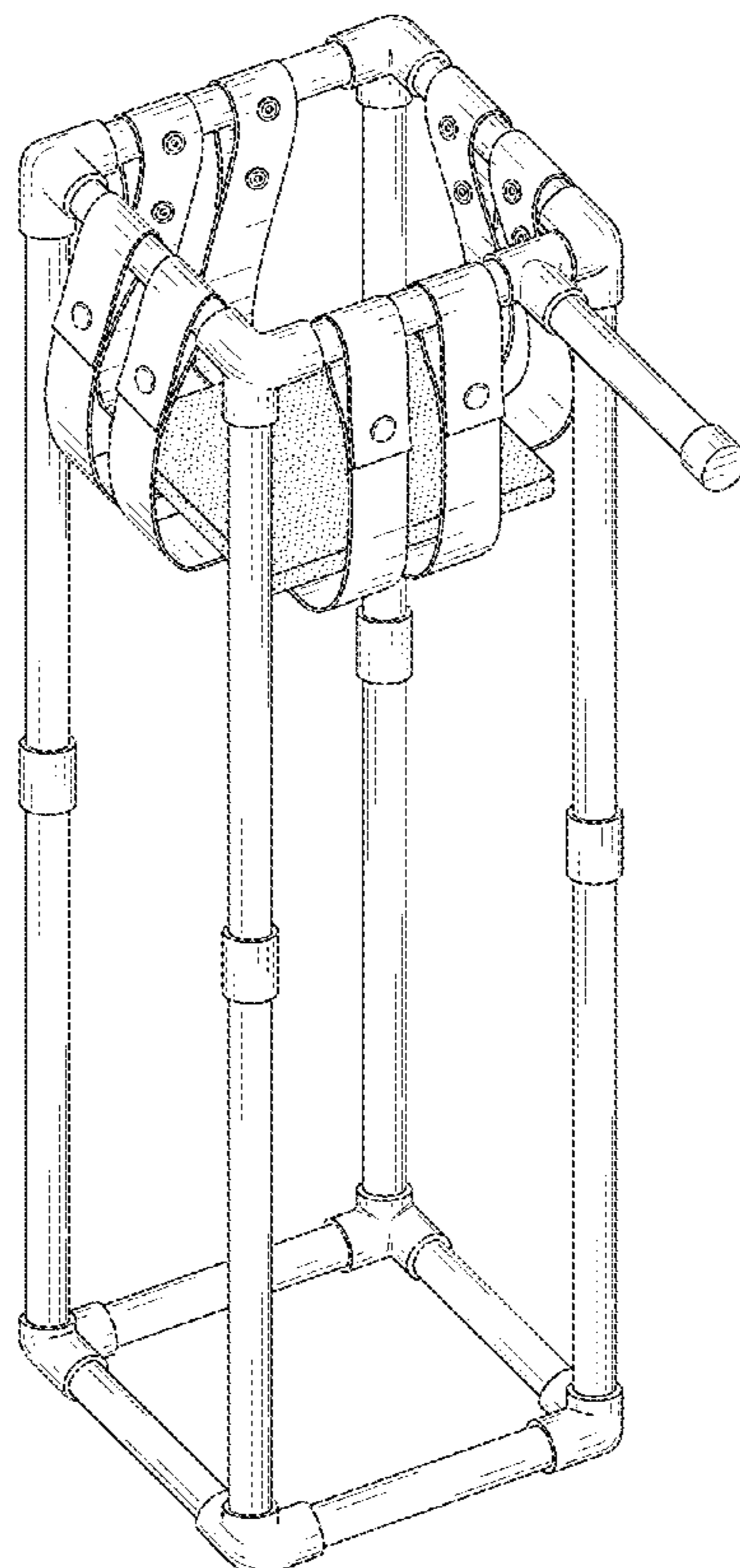
FIG. 1 is a perspective view of a leg support showing my new design;
FIG. 2 is a right-side elevation view thereof;
FIG. 3 is a left-side elevation view thereof;
FIG. 4 is a front elevation view thereof;
FIG. 5 is a back elevation thereof;
FIG. 6 is a top plan view thereof; and,
FIG. 7 is a bottom plan view thereof.

1 Claim, 5 Drawing Sheets

(56) **References Cited**

U.S. PATENT DOCUMENTS

- 3,316,900 A * 5/1967 Young A61F 5/0125
602/16
- D214,586 S * 7/1969 Van Voorhis D32/36



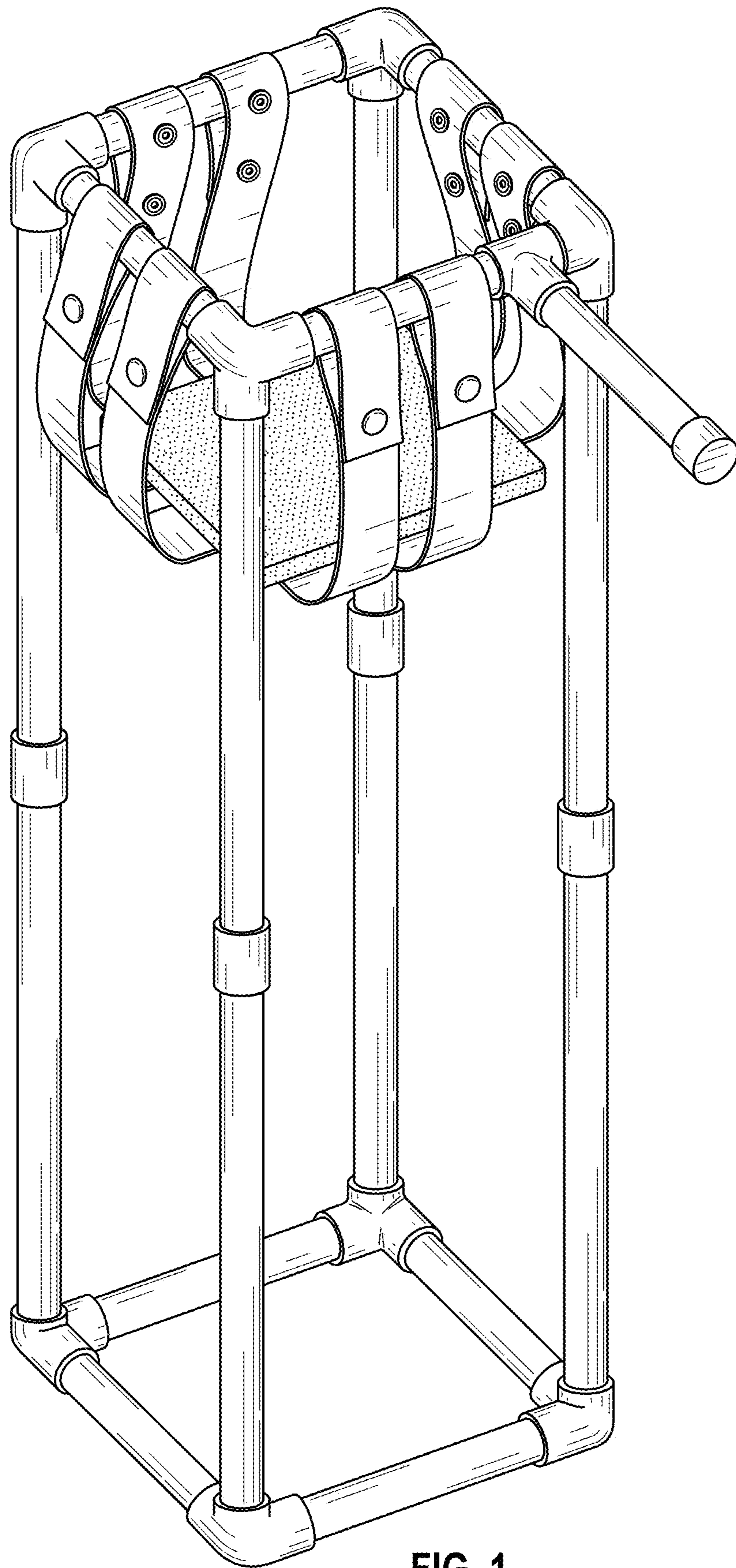


FIG. 1

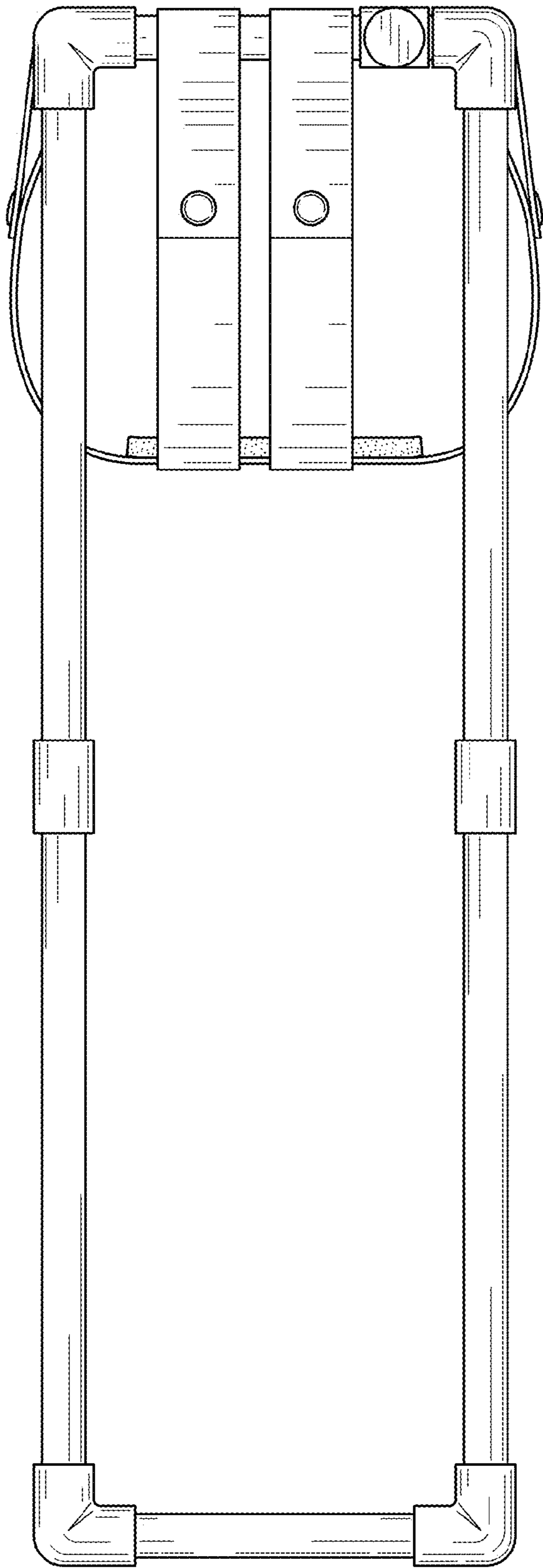


FIG. 2

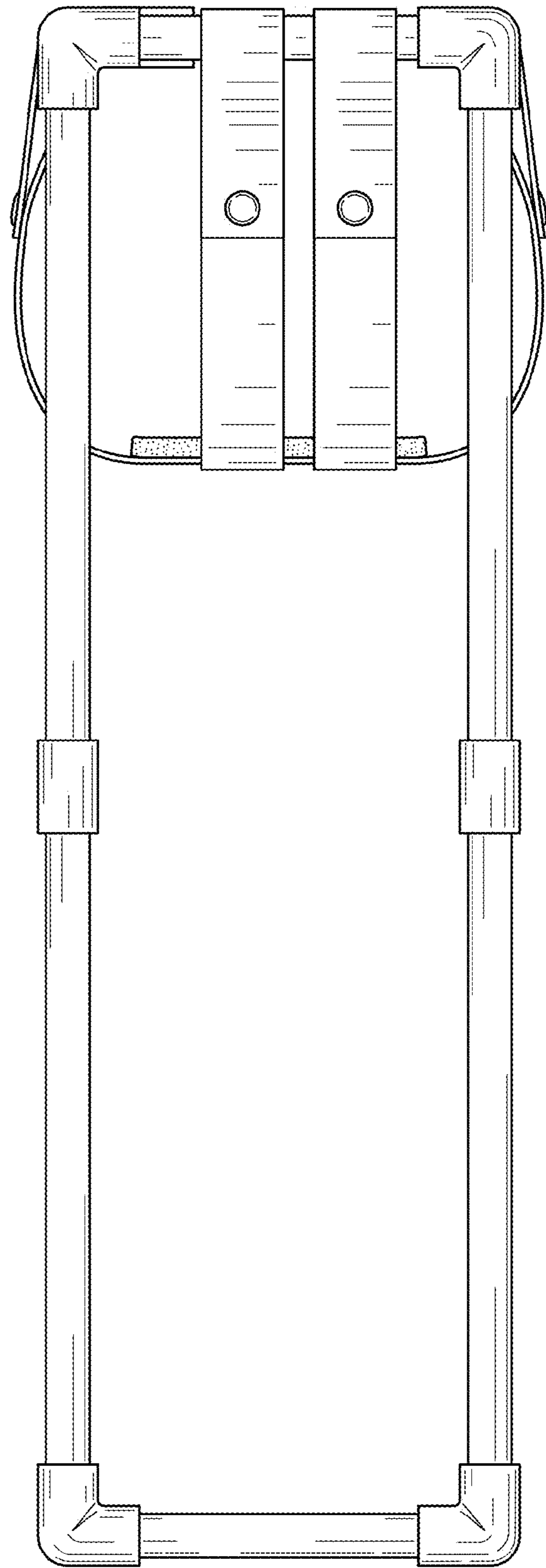


FIG. 3

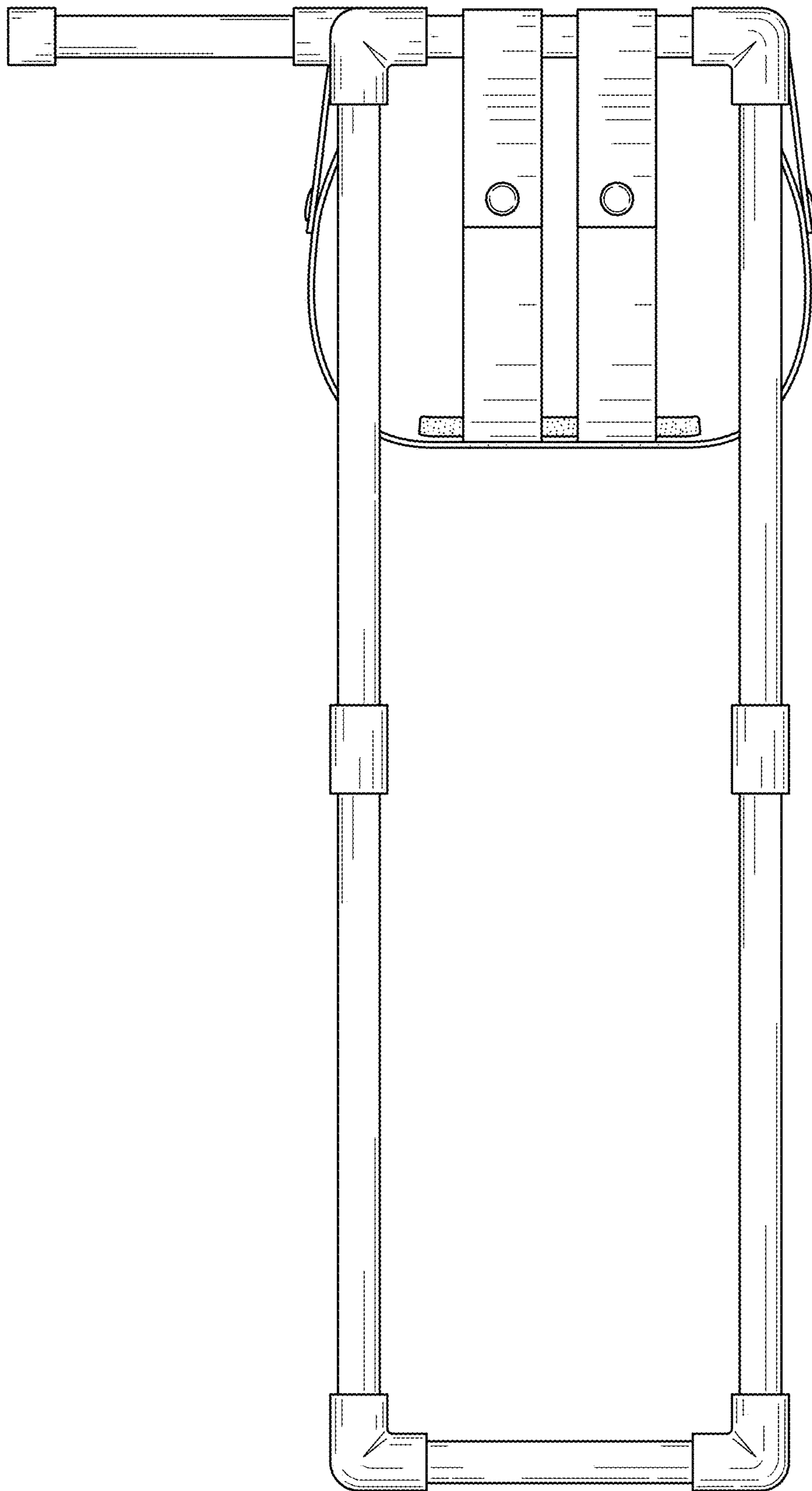


FIG. 4

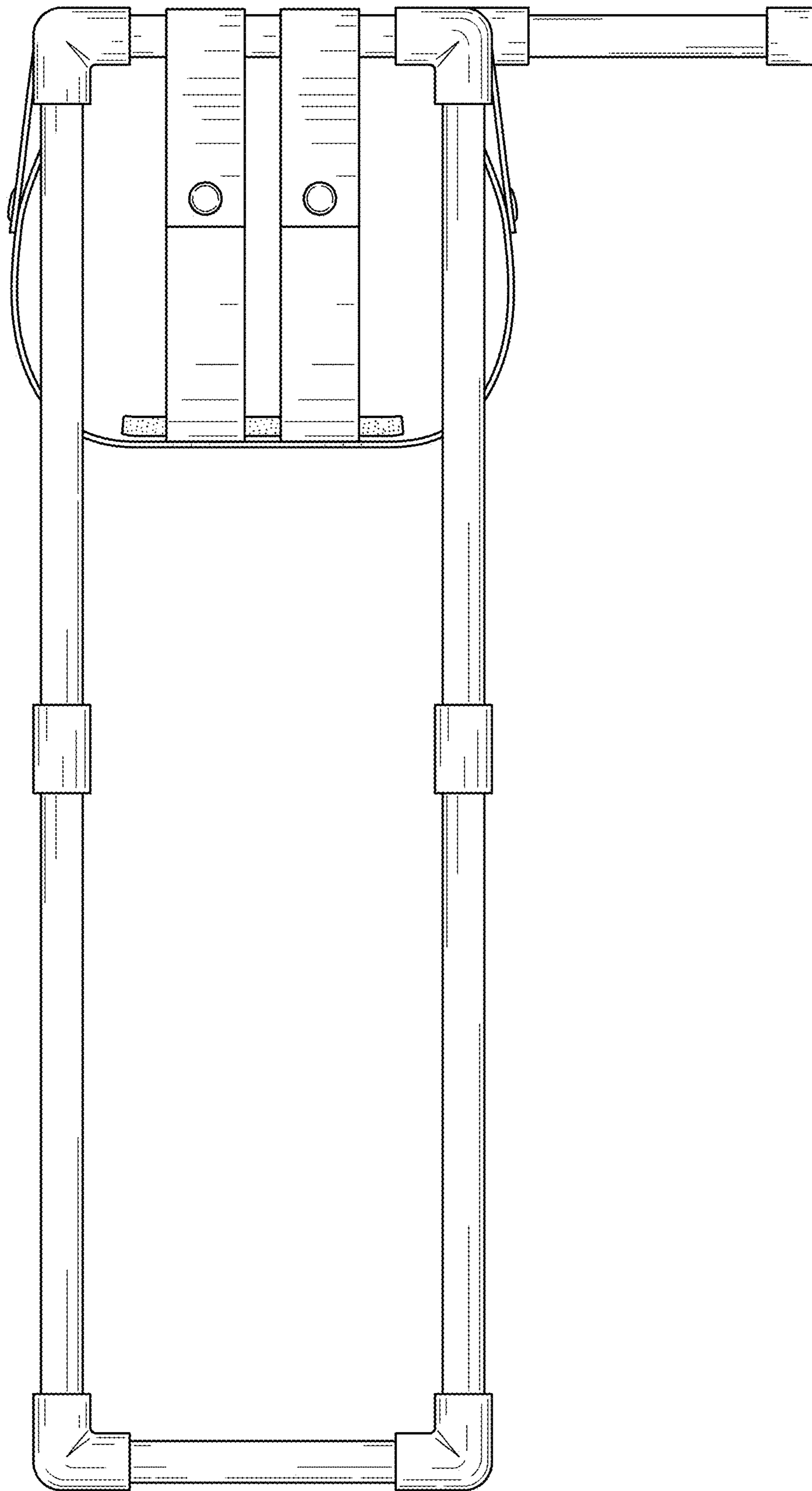


FIG. 5

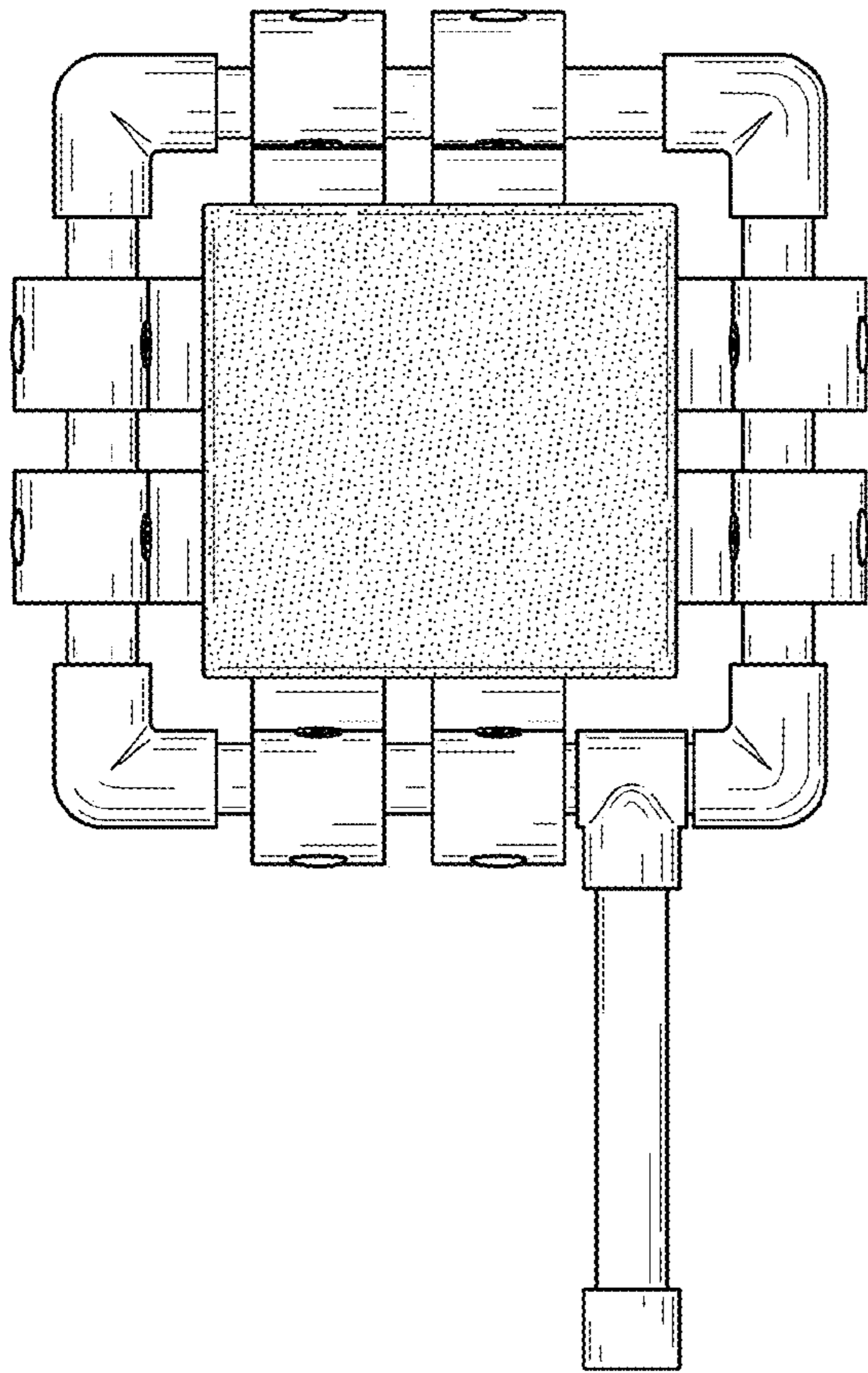


FIG. 6

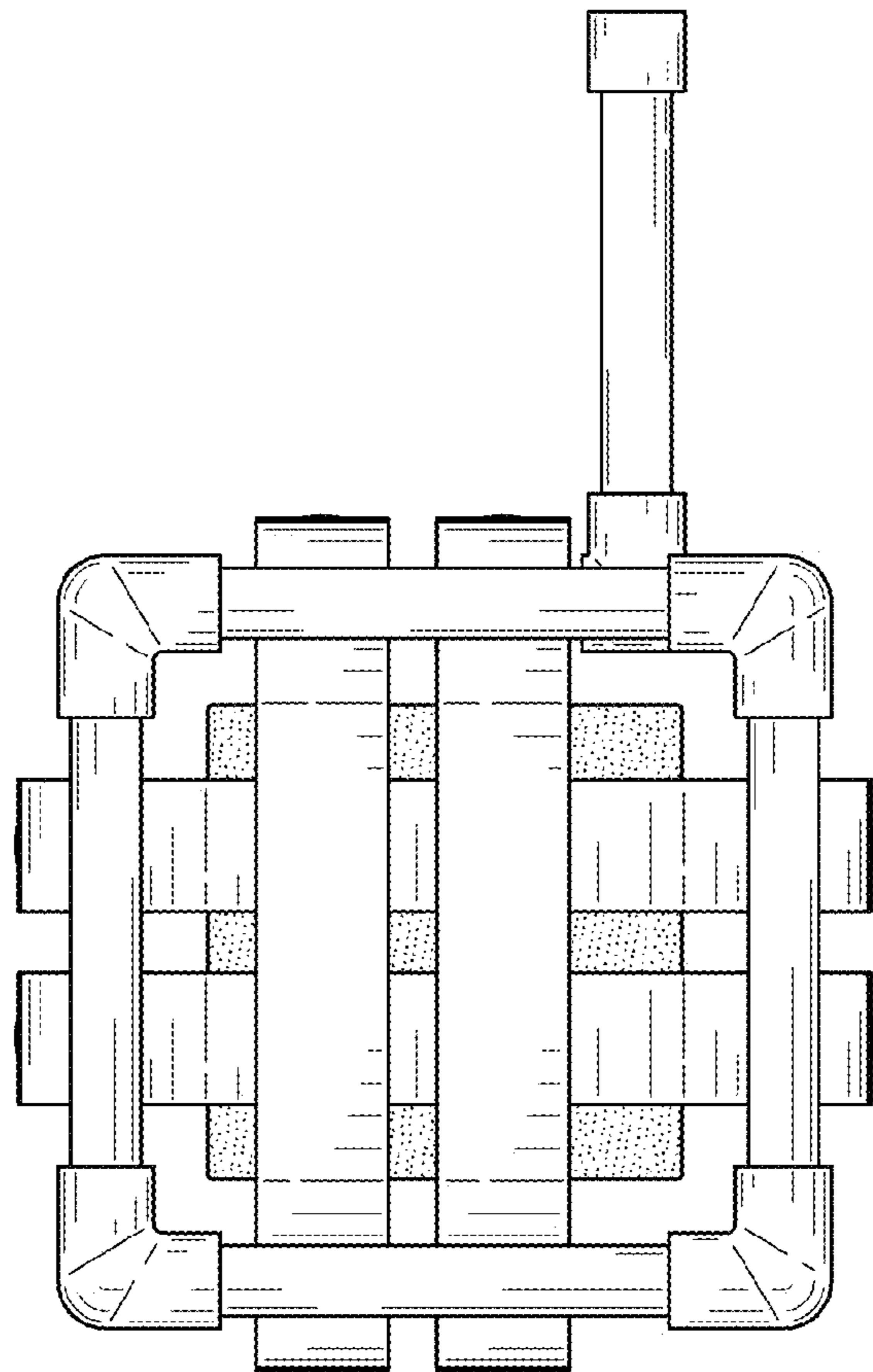


FIG. 7