



US00D923180S

(12) **United States Design Patent** (10) **Patent No.:** **US D923,180 S**
St. Pierre et al. (45) **Date of Patent:** **** Jun. 22, 2021**

(54) **MEDICAL CART**

2034/305; A61B 2034/306; A61B 34/32;
A61B 34/35; A61B 34/37; A61B 90/40;
A61B 2090/401; A61B 50/00; A61B
50/10;

(71) Applicant: **Capsa Solutions LLC**, Portland, OR
(US)

(Continued)

(72) Inventors: **John David St. Pierre**, Worthington,
OH (US); **Omolola E. Oyibo**, Portland,
OR (US); **Justin Phillips**, Troutdale,
OR (US); **Stephen Carl Torbett**, Lake
Wylie, SC (US)

(56)

References Cited

U.S. PATENT DOCUMENTS

D612,561 S * 3/2010 Hunter D34/14
D699,852 S * 2/2014 Chung D24/158
(Continued)

(73) Assignee: **Capsa Solutions LLC**, Portland, OR
(US)

(**) Term: **15 Years**

OTHER PUBLICATIONS

(21) Appl. No.: **29/694,122**

Parity Medical, Econolite Laptop Cart, first available Dec. 19, 2017.
(<https://web.archive.org/web/20171219085900/https://www.paritymedical.com/mobile-computer-carts/econolite-laptop-cart>) (Year:
2017).*

(22) Filed: **Jun. 7, 2019**

(51) **LOC (13) Cl.** **24-02**

(52) **U.S. Cl.**

USPC **D24/185**

(58) **Field of Classification Search**

USPC D3/203.1, 203.2, 203.3; D6/332, 641,
D6/642, 643, 643.1, 644, 645, 646, 647,
D6/649, 650, 650.1, 655, 655.1, 655.11,
D6/655.12, 655.13, 655.14, 655.15,
D6/655.16, 655.17, 655.18, 655.19, 655.2,
D6/655.21, 655.22, 655.23, 698, 700,
D6/701; D10/40; D13/101, 112, 114,
D13/118, 120, 121, 122; D14/300, 301,
D14/302, 307, 313, 314; D15/199;
D23/200, 202, 207, 209, 210, 499;
D24/100, 133, 144, 158, 159, 160, 162,
D24/163, 164, 170, 177, 183, 184, 185,
D24/186, 187, 216, 217, 227, 228, 229,
D24/230, 231, 232, 233, 234; D25/15;
D34/12, 14

CPC A61B 17/00; A61B 2017/00013; A61B
2017/00199; A61B 2017/00212; A61B
17/00234; A61B 2017/00349; A61B
2017/00353; A61B 34/00; A61B 34/30;
A61B 2034/301; A61B 2034/302; A61B
2034/303; A61B 2034/304; A61B

(Continued)

Primary Examiner — April Rivas

Assistant Examiner — Justin A Johnson

(74) *Attorney, Agent, or Firm* — Standley Law Group
LLP; Adam J. Smith; Jeffrey S. Standley

(57)

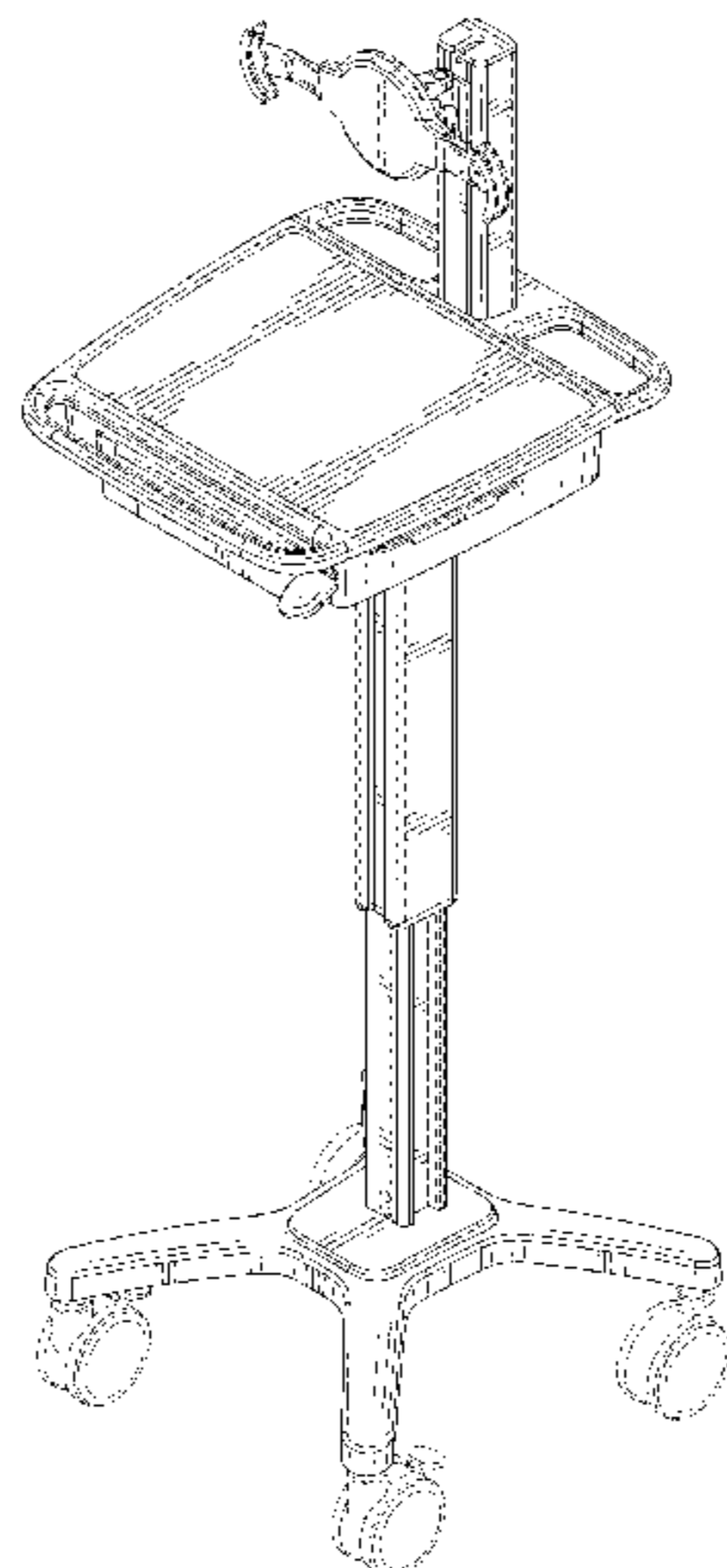
CLAIM

The ornamental design for a medical cart, as shown and
described.

DESCRIPTION

FIG. 1 is a front perspective view of the medical cart;
FIG. 2 is a front elevation view thereof;
FIG. 3 is a rear elevation view thereof;
FIG. 4 is a right side elevation view thereof;
FIG. 5 is a left side elevation view thereof;
FIG. 6 is a top view thereof; and,
FIG. 7 is a bottom view thereof.
The broken lines are for illustrating unclaimed features and
form no part of the claimed design.

1 Claim, 6 Drawing Sheets



(58) **Field of Classification Search**

CPC .. A61B 2050/105; A61B 50/13; A61B 50/15;
 A61B 2050/185; A61B 50/20; A61B
 2050/21; A61B 50/22; A61B 50/24; A61B
 50/26; A61B 50/30; A61B 50/3001; A61B
 2050/3004; A61B 2050/3005; A61B
 2050/3006; A61B 2050/3007; A61B
 2050/3008; A61B 2050/3009; A61B
 2050/3011; A61B 34/20; A61B 50/33;
 A61B 50/34; A61B 5/0033; A61B
 5/0035; A61B 5/0036; A61B 5/0037;
 A61B 5/004; A61B 5/0042; A61B
 5/0044; A61G 12/00; A61G 12/001;
 A61G 12/002; A61G 12/004; A61G
 12/005; A61G 12/007; A61G 12/008;
 A61J 7/00; A61J 7/0069; A61J 7/0076;
 A61J 7/0084; A61J 7/02; A61J 7/04;
 A61J 7/0409; A61J 7/0418; A61J 7/0427;
 A61J 7/0436; A61J 7/0445; A61J 7/0454;
 A61J 7/0463; A61J 7/0472; A61J 7/0481;
 A61J 7/049; B01L 3/502707; B01L
 3/5027; B62B 3/00; B62B 3/002; B62B
 3/02; B62B 5/06; B62B 5/061; B62B
 5/064; B62B 5/065; B62B 5/066; B62B
 5/067; B65D 83/04; B65D 83/0409;
 B65D 83/0418; B65D 83/0427; B65D
 83/0436; B65D 83/0445; B65D 83/0454;
 B65D 83/0463; B65D 83/0472; B65D
 83/0481; B65D 83/049; G02F 1/00; G02F
 1/01; G09G 3/00; G09G 3/006; G09G
 3/34; G09G 3/3406; G09G 3/3413; G09G
 3/342; G09G 3/3426; G16H 20/00; G16H
 20/10; G16H 20/13; G16H 20/17; G16H
 20/30; G16H 20/40; G16H 20/60; G16H

20/70; G16H 20/90; G16H 40/00; G16H
 40/60; Y10T 137/00

See application file for complete search history.

(56)

References Cited

U.S. PATENT DOCUMENTS

D700,706	S	*	3/2014	Molter	D24/185
D712,042	S	*	8/2014	Chung	D24/185
D712,540	S	*	9/2014	Hansen	D24/158
D730,011	S	*	5/2015	McRorie	D34/14
D806,340	S	*	12/2017	Stalter	D34/14
D854,772	S	*	7/2019	Ecklund	D34/12
D894,402	S	*	8/2020	Couch	D24/185
D894,403	S	*	8/2020	Couch	D24/185
2009/0212670	A1	*	8/2009	Bustle	A47B 21/0314 312/209
2019/0059859	A1	*	2/2019	Pinch	A61B 8/4405
2019/0254420	A1	*	8/2019	Rossini	F16M 11/24

OTHER PUBLICATIONS

Youtube, Ergotron CareFit Fits Your Needs, first available Sep. 6, 2018. (https://www.youtube.com/watch?v=0I0UpnC2LSA&feature=emb_title) (Year: 2018).*

Youtube, SlimCart quick view by Capsa Healthcare, first available May 13, 2019. (<https://www.youtube.com/watch?v=dXHIq2TYiLM>) (Year: 2019).*

VM Electronics, VM Carts, first available Dec. 29, 2020. (<https://web.archive.org/web/20201229133943/https://www.vmelectronics.com/medical-carts-and-point-of-care-computing-carts-folder/vm-carts>) (Year: 2020).*

Twitter, Capsa Health Care, first available Dec. 18, 2020. (<https://twitter.com/CapsaHealthcare/status/1339925916357681152?s=20>) (Year: 2020).

* cited by examiner

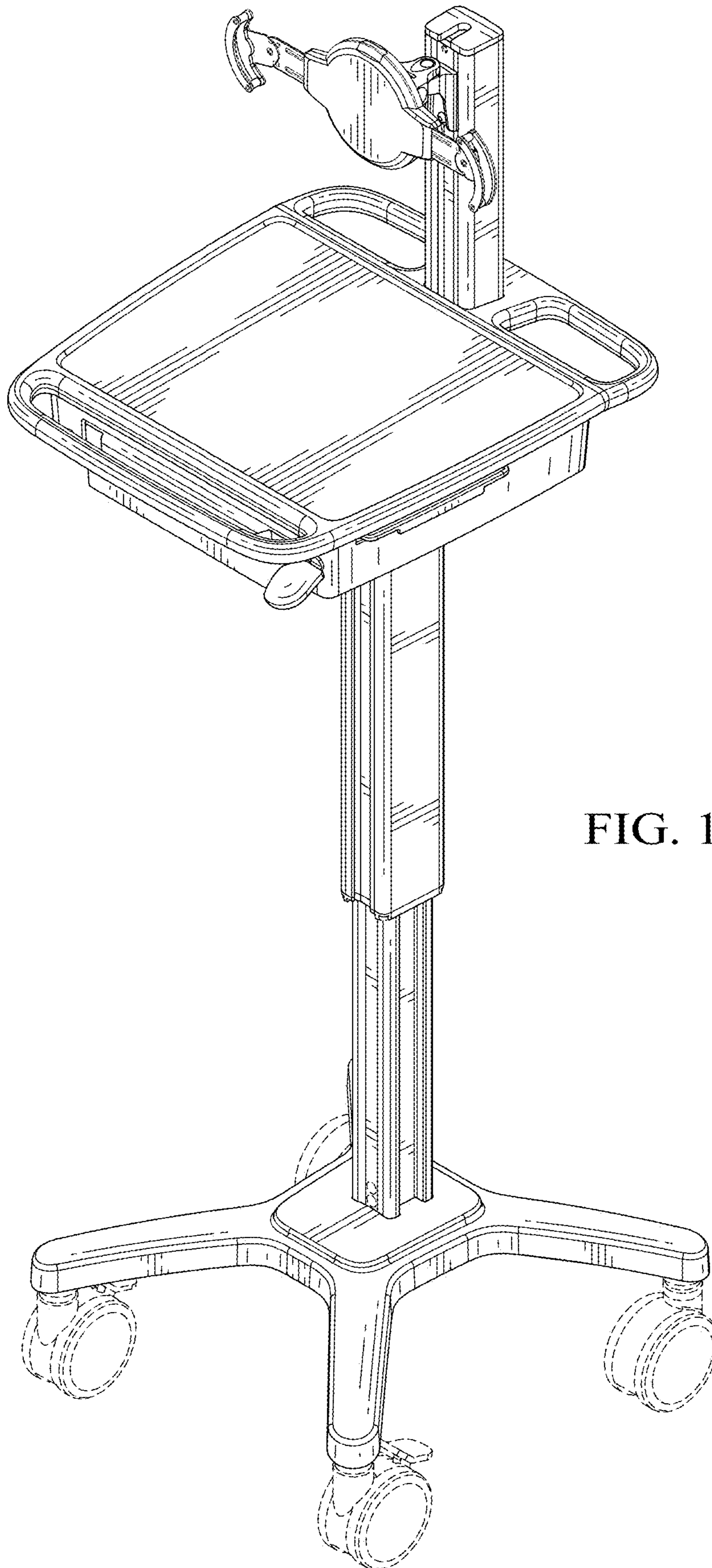


FIG. 1

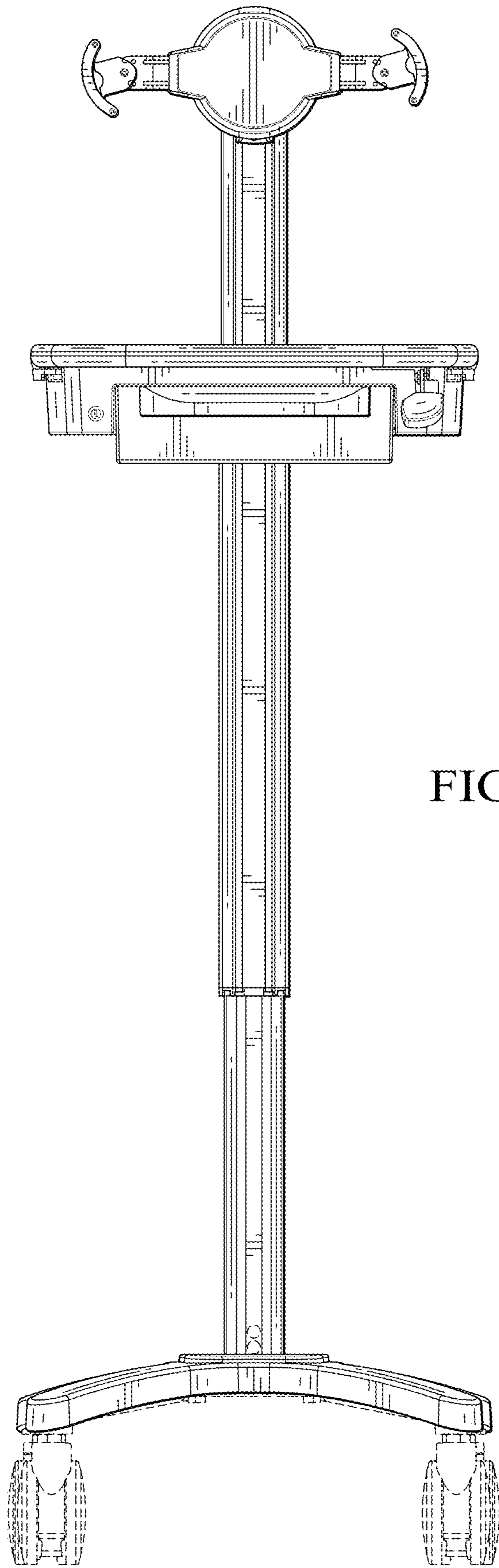


FIG. 2

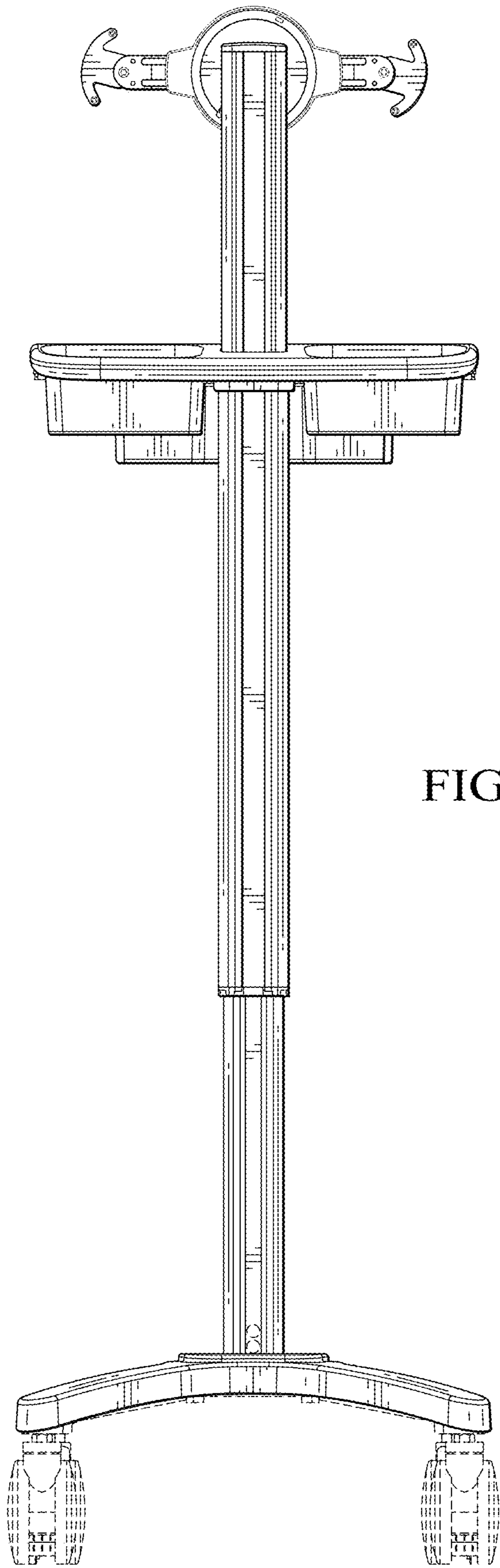


FIG.3

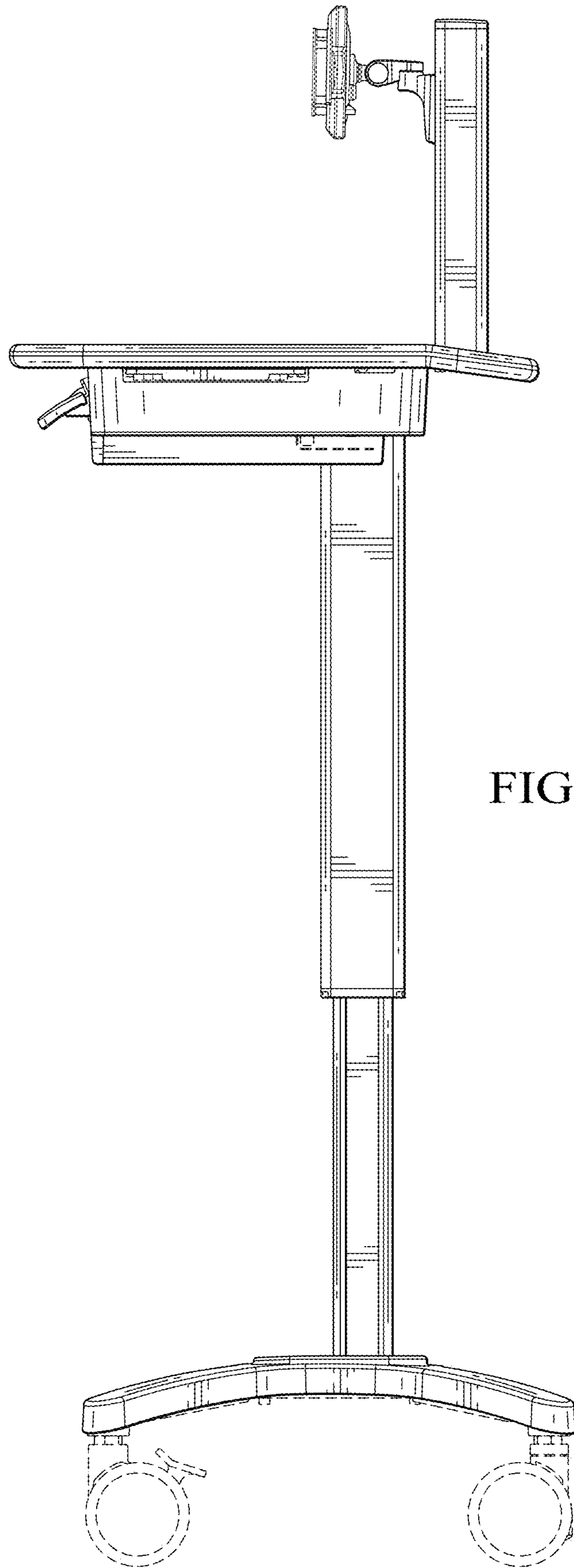


FIG. 4

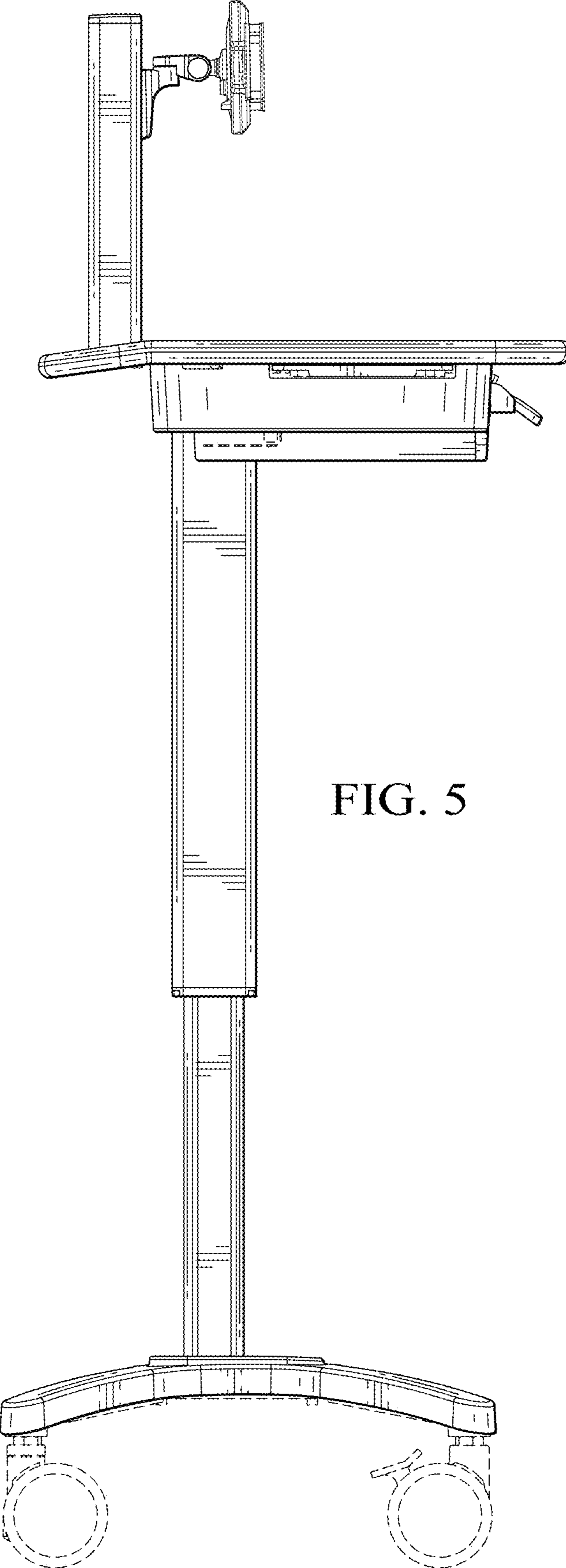


FIG. 5

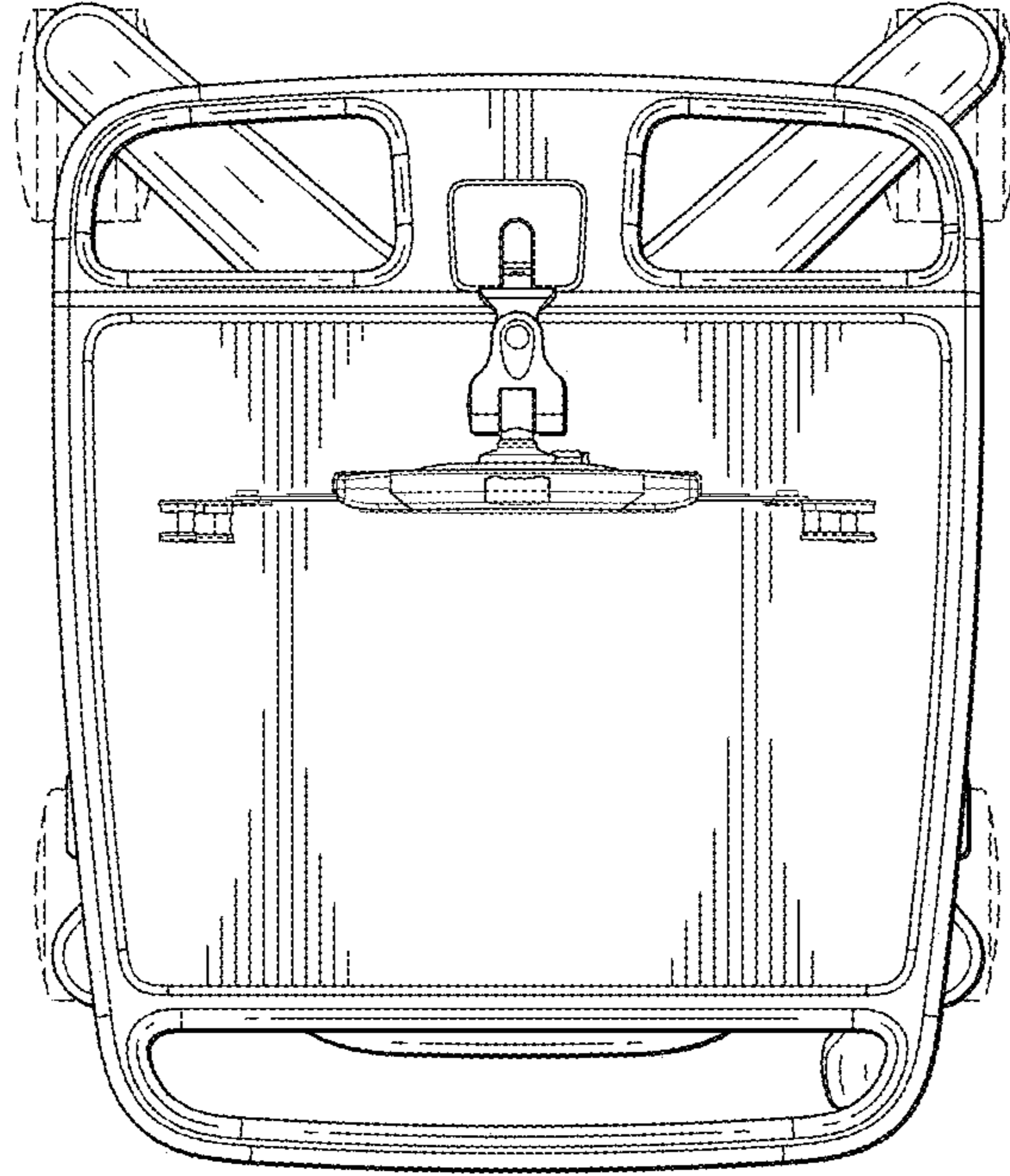


FIG. 6

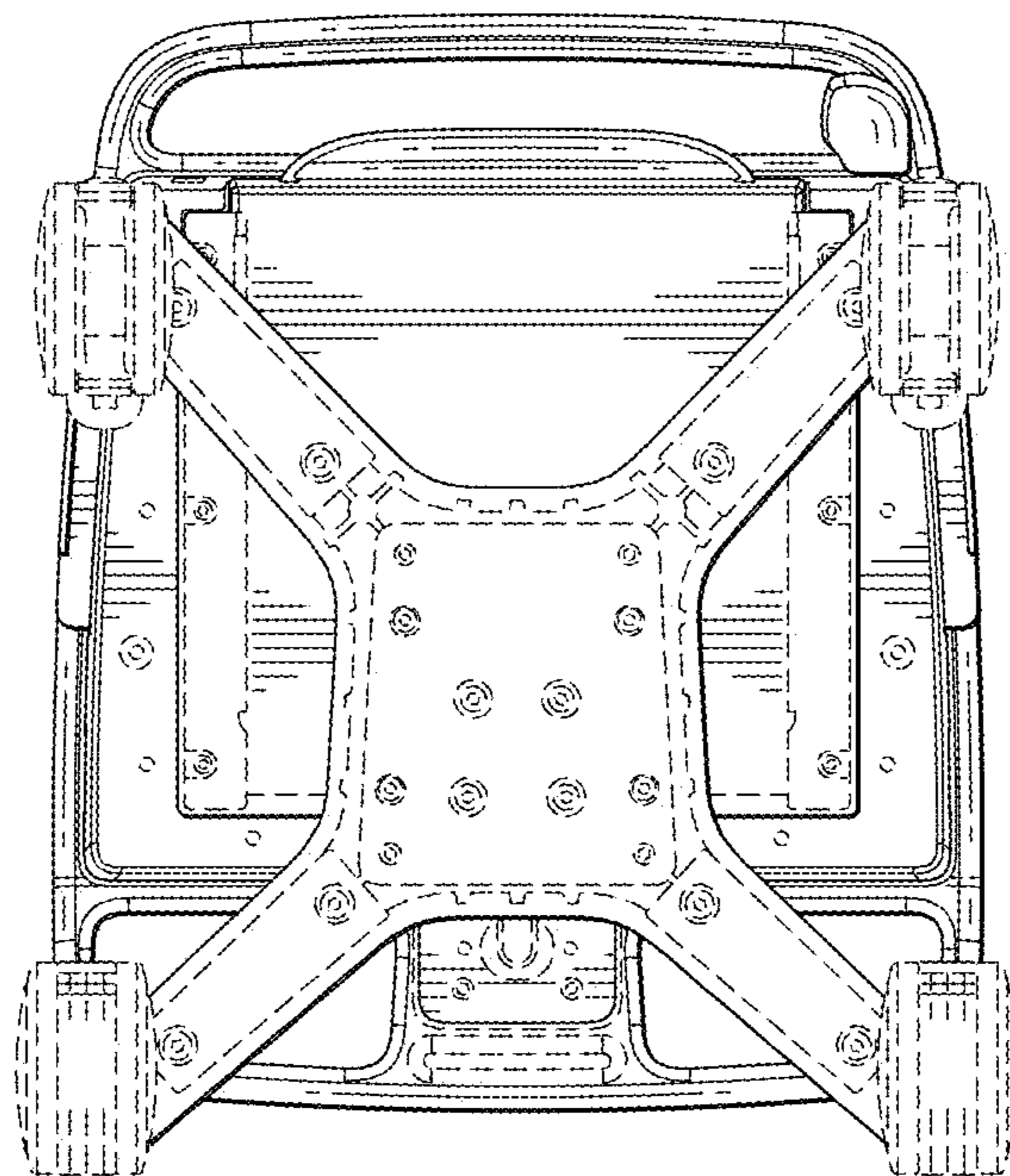


FIG. 7