



US00D923176S

(12) **United States Design Patent**  
**Bradley et al.**

(10) **Patent No.:** **US D923,176 S**  
(45) **Date of Patent:** **\*\* Jun. 22, 2021**

(54) **ELECTROSURGICAL DEVICE HANDLE**

FOREIGN PATENT DOCUMENTS

(71) Applicant: **Medtronic Advanced Energy LLC**,  
Minneapolis, MN (US)

CN 30455743 S 3/2018

*Primary Examiner* — Wan Laymon

(72) Inventors: **Amy Bradley**, Newton, NH (US);  
**Jonathan Barry**, Rochester, NH (US);  
**Alexander Segit**, Eliot, ME (US)

(74) *Attorney, Agent, or Firm* — Patterson Thuent  
Pedersen, P.A.

(73) Assignee: **Medtronic Advanced Energy LLC**,  
Minneapolis, MN (US)

(57) **CLAIM**

(\*\*) Term: **15 Years**

We claim the ornamental design for an electro-  
surgical device handle, as shown and described.

(21) Appl. No.: **29/667,724**

(22) Filed: **Oct. 24, 2018**

(51) **LOC (13) Cl.** ..... **24-02**

(52) **U.S. Cl.**

USPC ..... **D24/144**

(58) **Field of Classification Search**

USPC ..... D24/133, 144, 147; 606/41–42, 45, 49,  
606/39

CPC ..... A61B 18/1402; A61B 18/14; A61B  
2018/1412; A61B 2018/1405

See application file for complete search history.

**DESCRIPTION**

FIG. 1 is perspective view of an electro-  
surgical device handle showing our design. The arrays of surface features  
within the larger disclaimed portion shown in FIG. 1 are for  
illustrative purposes only and forms no part of the claimed  
design.

FIG. 2 is a first side elevational view of the electro-  
surgical device handle depicted in FIG. 1.

FIG. 3 is a top plan view of the electro-  
surgical device handle depicted in FIG. 1.

FIG. 4 is a second side elevational view of the electro-  
surgical device handle depicted in FIG. 1.

FIG. 5 is a bottom plan view of the electro-  
surgical device handle depicted in FIG. 1.

FIG. 6 is a rear elevational view of the electro-  
surgical device handle depicted in FIG. 1.

FIG. 7 is a front elevational view of the electro-  
surgical device handle depicted in FIG. 1; and,

FIG. 8 is a detailed view of a portion of the electro-  
surgical device handle depicted in FIG. 1.

The broken lines in the drawings illustrate portions of the  
electrosurgical device handle that form no part of the  
claimed design.

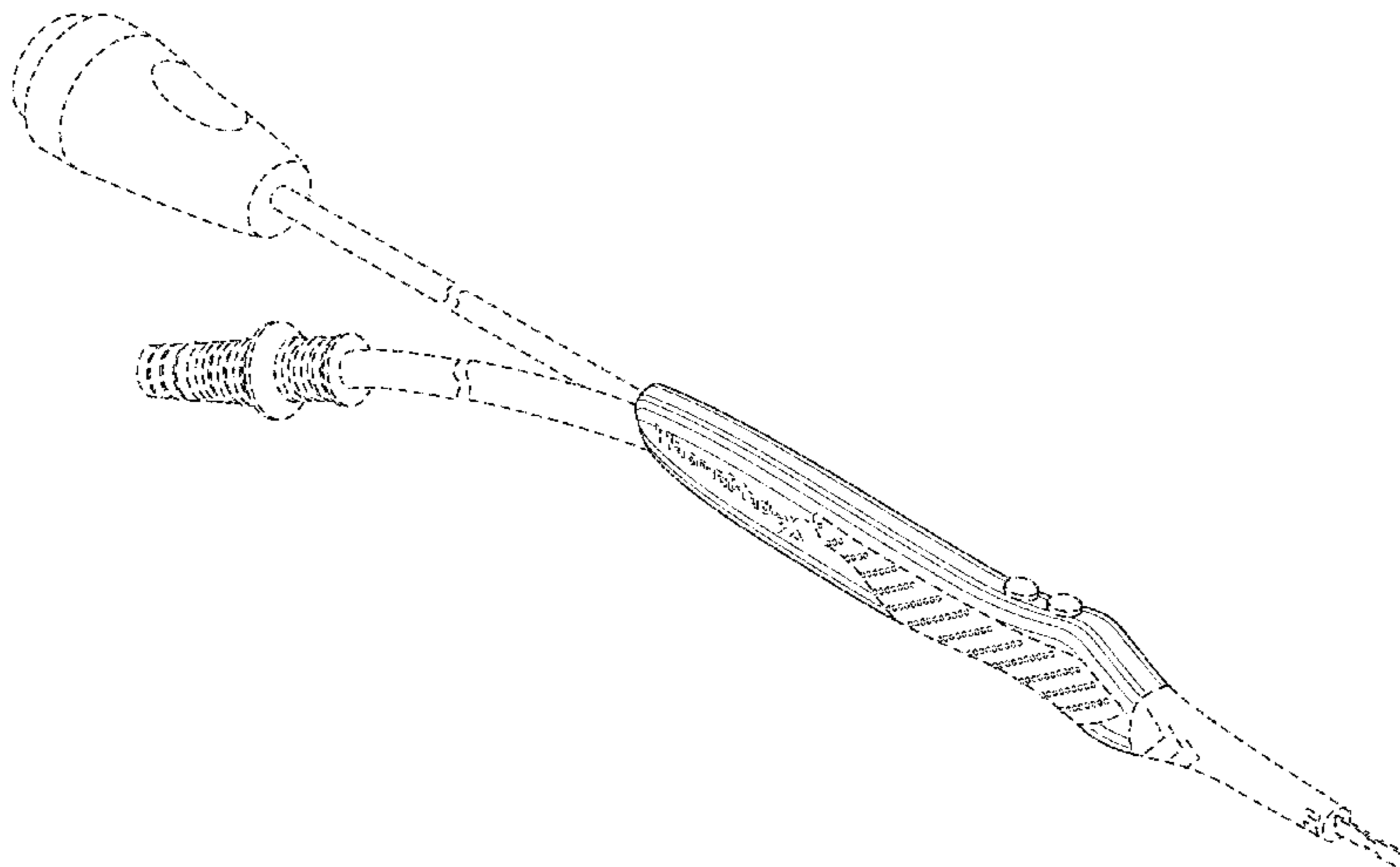
(56) **References Cited**

U.S. PATENT DOCUMENTS

D501,047	S *	1/2005	Breazeale, Jr. ....	A61B 18/1402 D24/144
8,870,864	B2 *	10/2014	Davison .....	A61B 18/1402 606/41
8,882,767	B2 *	11/2014	Greep .....	A61B 18/1477 606/42
D723,686	S *	3/2015	Kratoska .....	D24/144
D753,301	S *	4/2016	Fiksen .....	D24/144
D847,988	S *	5/2019	Schnitzer .....	D24/144
10,716,612	B2 *	7/2020	Patel .....	A61B 18/1402
2005/0059967	A1 *	3/2005	Breazeale, Jr. ....	A61B 18/1402 606/45
2010/0174283	A1 *	7/2010	McNall, III .....	A61B 18/1485 606/45
2013/0110108	A1 *	5/2013	Davison .....	A61B 18/1402 606/45

(Continued)

**1 Claim, 4 Drawing Sheets**



(56)

**References Cited**

U.S. PATENT DOCUMENTS

2013/0178852 A1\* 7/2013 Allen, IV ..... A61B 18/1442  
606/42  
2019/0133710 A1\* 5/2019 Blus ..... A61B 18/14

\* cited by examiner

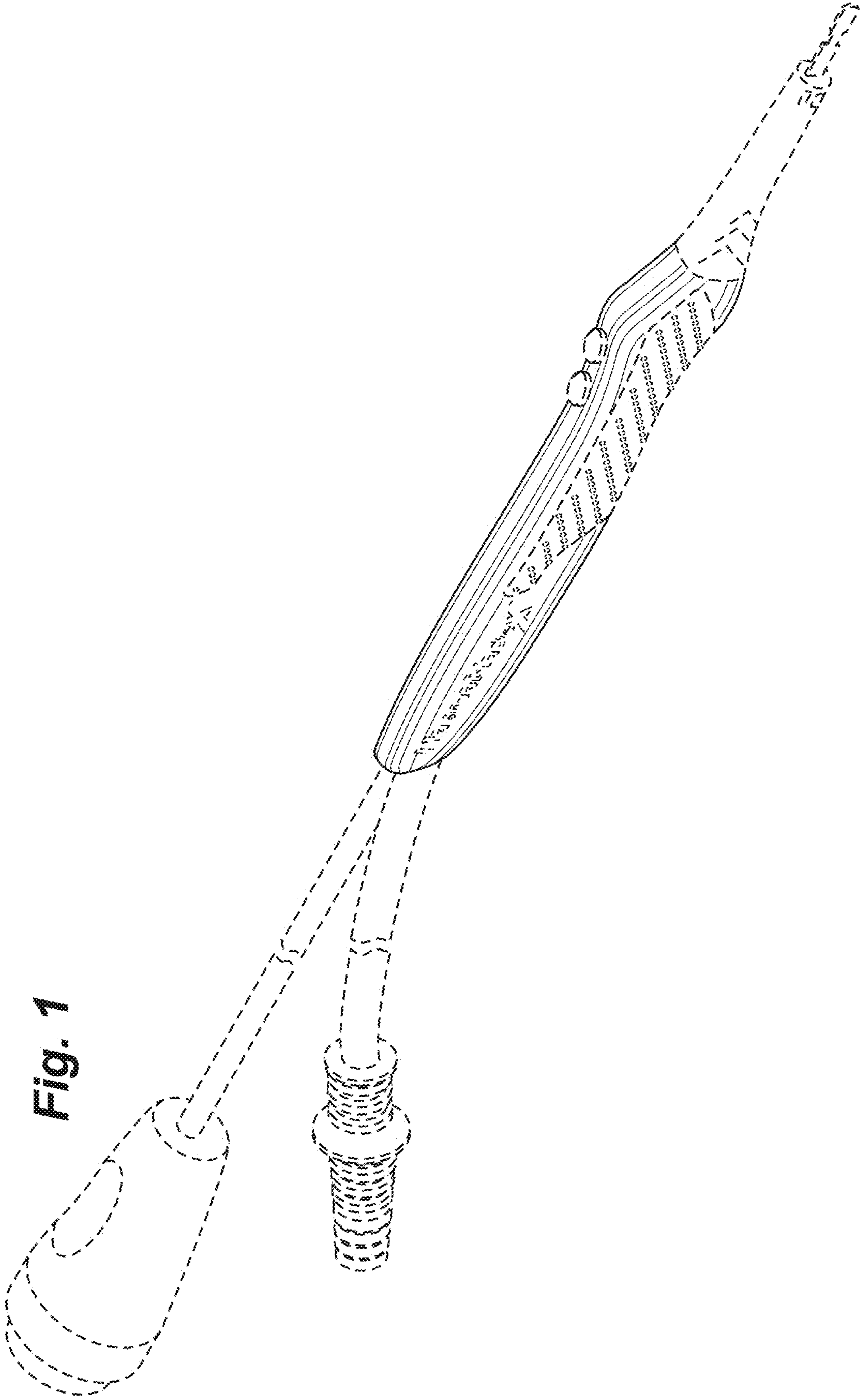


Fig. 1

Fig. 2

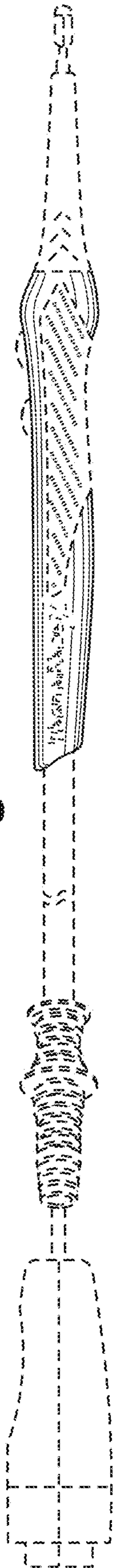


Fig. 3

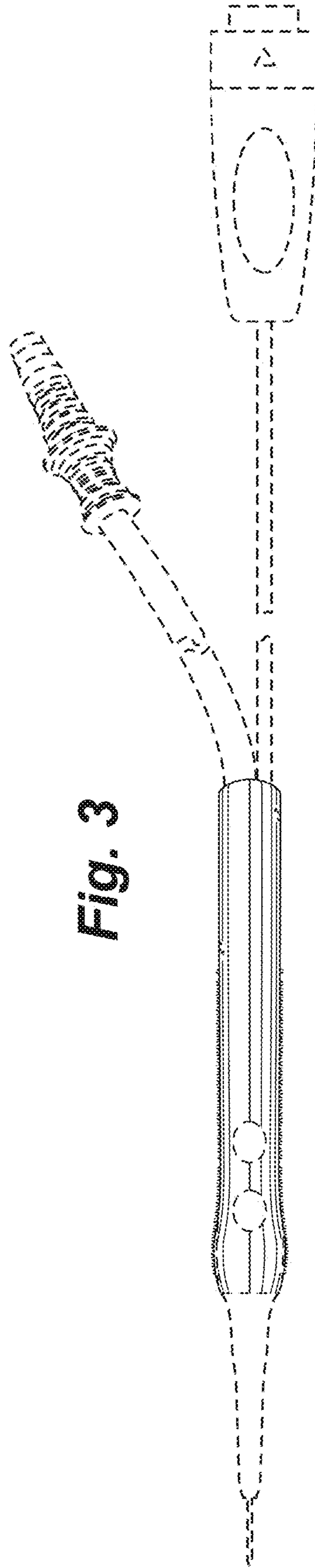


Fig. 4

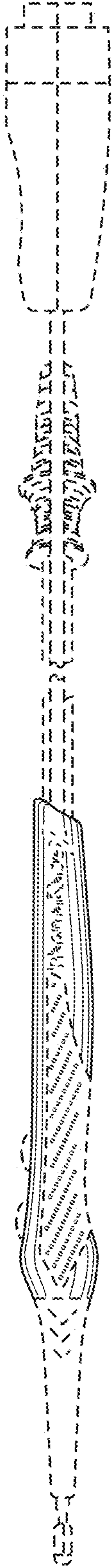


Fig. 5

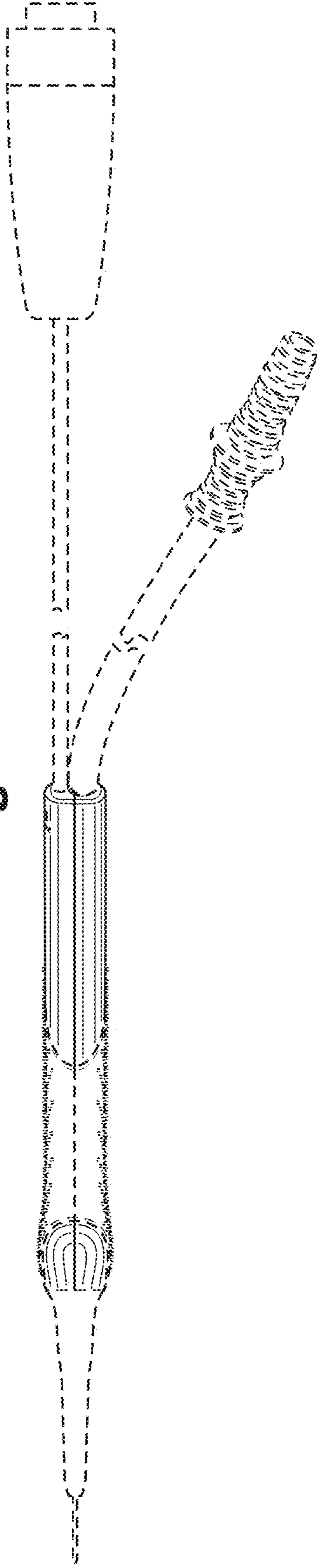


Fig. 7

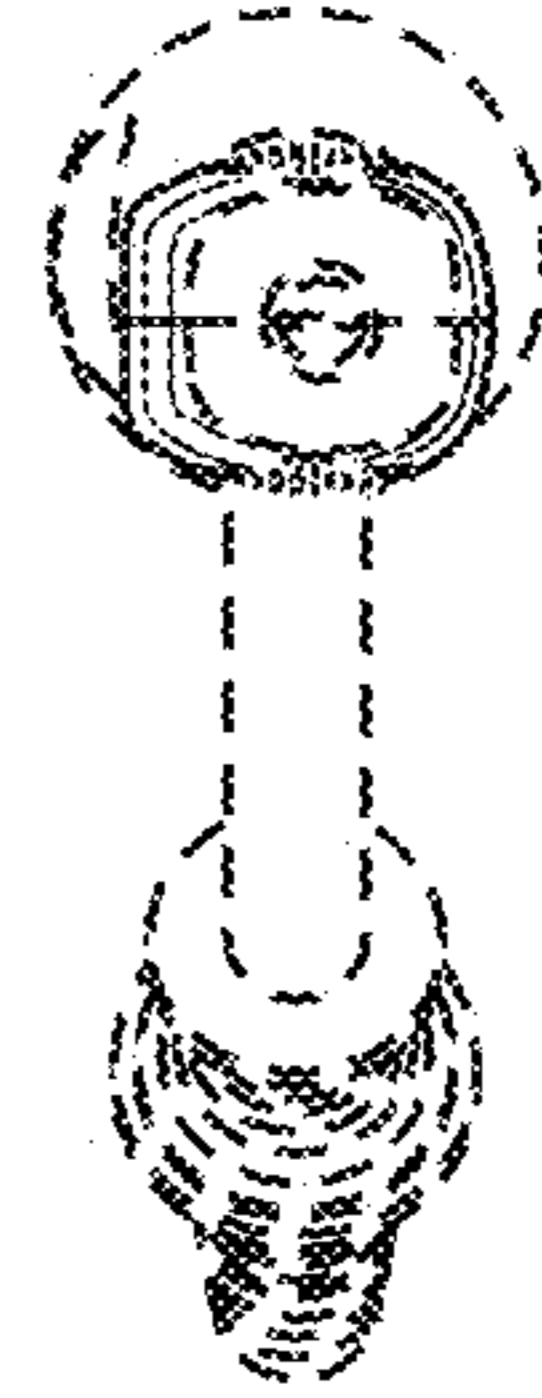


Fig. 6

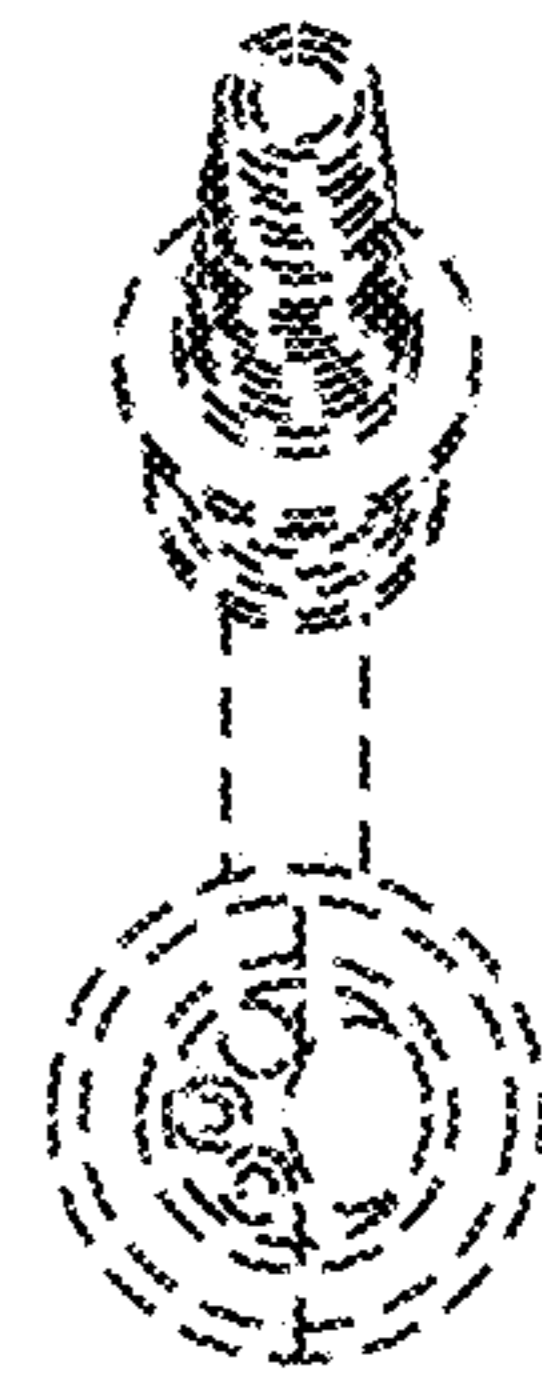




Fig. 8

