



US00D923175S

(12) **United States Design Patent**  
**Wigstone**

(10) **Patent No.:** **US D923,175 S**  
(45) **Date of Patent:** **\*\* Jun. 22, 2021**

- (54) **NEEDLE REMOVER**
- (71) Applicant: **Diane Wigstone**, Arlington, TX (US)
- (72) Inventor: **Diane Wigstone**, Arlington, TX (US)
- (\*\*) Term: **15 Years**
- (21) Appl. No.: **29/673,128**
- (22) Filed: **Dec. 12, 2018**
- (51) **LOC (13) Cl.** ..... **24-02**
- (52) **U.S. Cl.**  
USPC ..... **D24/130**
- (58) **Field of Classification Search**  
USPC ..... D24/112-114, 108, 133, 130, 127, 186;  
606/181, 185; 604/264, 272, 187, 181,  
604/184, 227; D3/18, 28; D21/497  
CPC ..... A61M 5/178; A61M 3/00; A61M 5/20;  
A61M 5/31; A61M 5/3146; A61M  
5/3129; A61M 5/3148; A61M 5/315;  
A61M 5/32  
See application file for complete search history.

5,768,710 A \* 6/1998 Williams ..... A63B 21/065  
2/160  
6,112,635 A \* 9/2000 Cohen ..... F41H 5/0414  
428/911  
D450,442 S \* 11/2001 Leonard ..... D3/18  
D553,737 S \* 10/2007 Rolfe ..... D24/130  
7,389,873 B2 \* 6/2008 Johnson ..... A61M 5/3205  
206/366

\* cited by examiner

*Primary Examiner* — David G Muller

(57) **CLAIM**

The ornamental design for a needle remover, as shown and described.

**DESCRIPTION**

FIG. 1 is a top and right side perspective view of the new design for a needle remover;  
 FIG. 2 is a top and left side perspective view of the new design for a needle remover;  
 FIG. 3 is a top side perspective view of the new design for a needle remover;  
 FIG. 4 is a top elevational view of the new design for a needle remover;  
 FIG. 5 is a side elevational view of the new design for a needle remover;  
 FIG. 6 is a bottom elevational view of the new design for a needle remover;  
 FIG. 7 is a bottom and side view of the new design for a needle remover; and,  
 FIG. 8 is a top side view of the new design for a needle remover with dashed line showing large needle cap in needle remover.

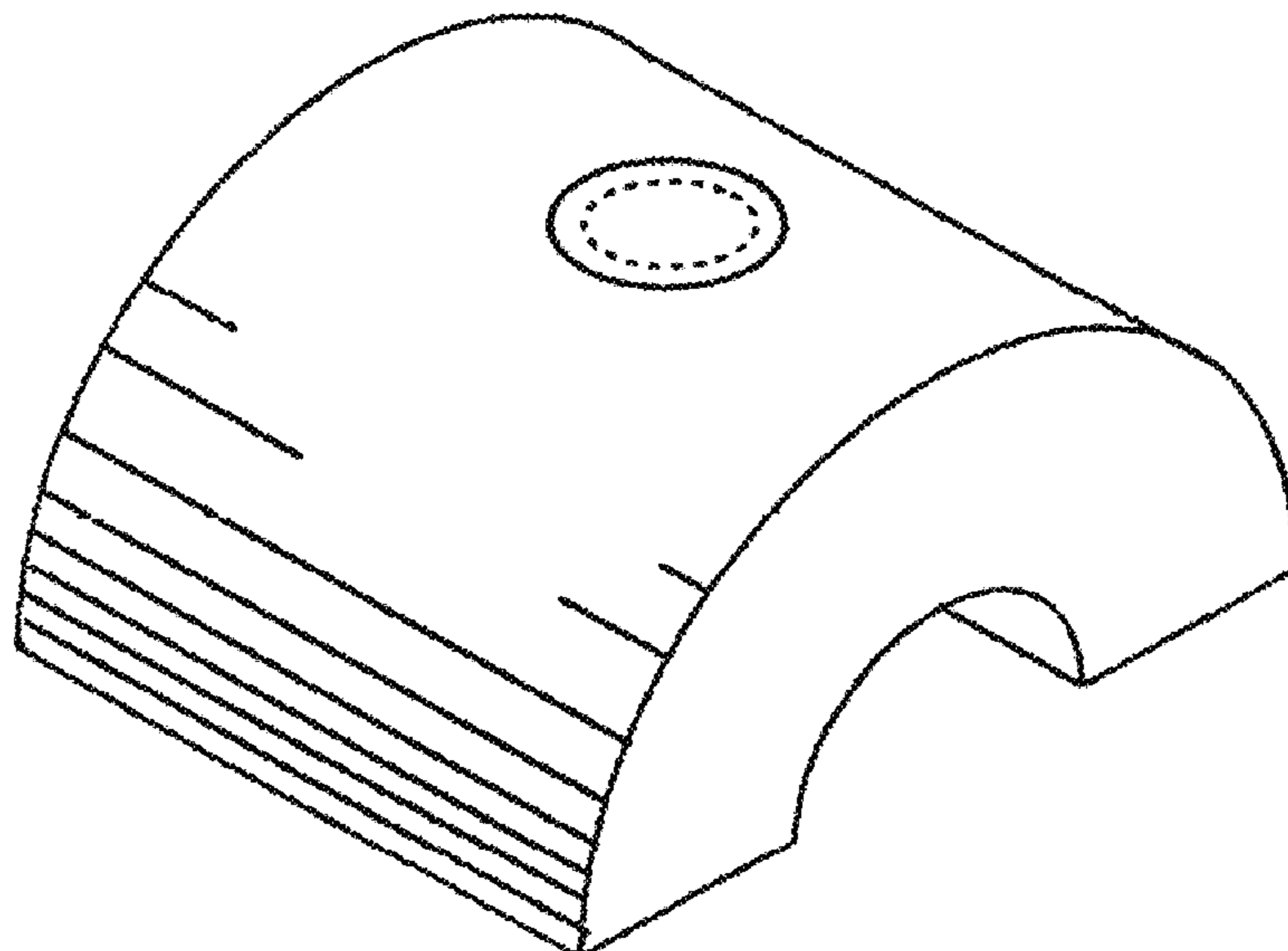
The dashed lines immediately adjacent to the claimed areas in the views represent the boundaries of the claimed design. The dashed lines in the figures illustrate the portions of the design that form no part of the claimed design. None of the broken lines form any part of the claimed design.

**1 Claim, 2 Drawing Sheets**

(56) **References Cited**

**U.S. PATENT DOCUMENTS**

- 1,516,721 A \* 11/1924 Emery ..... B21K 1/707  
470/19
- 3,073,203 A \* 1/1963 Evans ..... G10H 3/185  
84/731
- 3,409,259 A \* 11/1968 Cross ..... A63B 3/00  
248/214
- 4,486,689 A \* 12/1984 Davis ..... H05B 41/46  
307/66
- 4,576,430 A \* 3/1986 Dufresne ..... H01R 11/282  
439/429
- 4,758,195 A \* 7/1988 Walsh ..... A63H 33/04  
401/196
- D327,573 S \* 7/1992 Spencer ..... D28/55
- 5,249,680 A \* 10/1993 Shillington ..... A61M 5/3205  
206/366
- D358,885 S \* 5/1995 Benson ..... D24/130



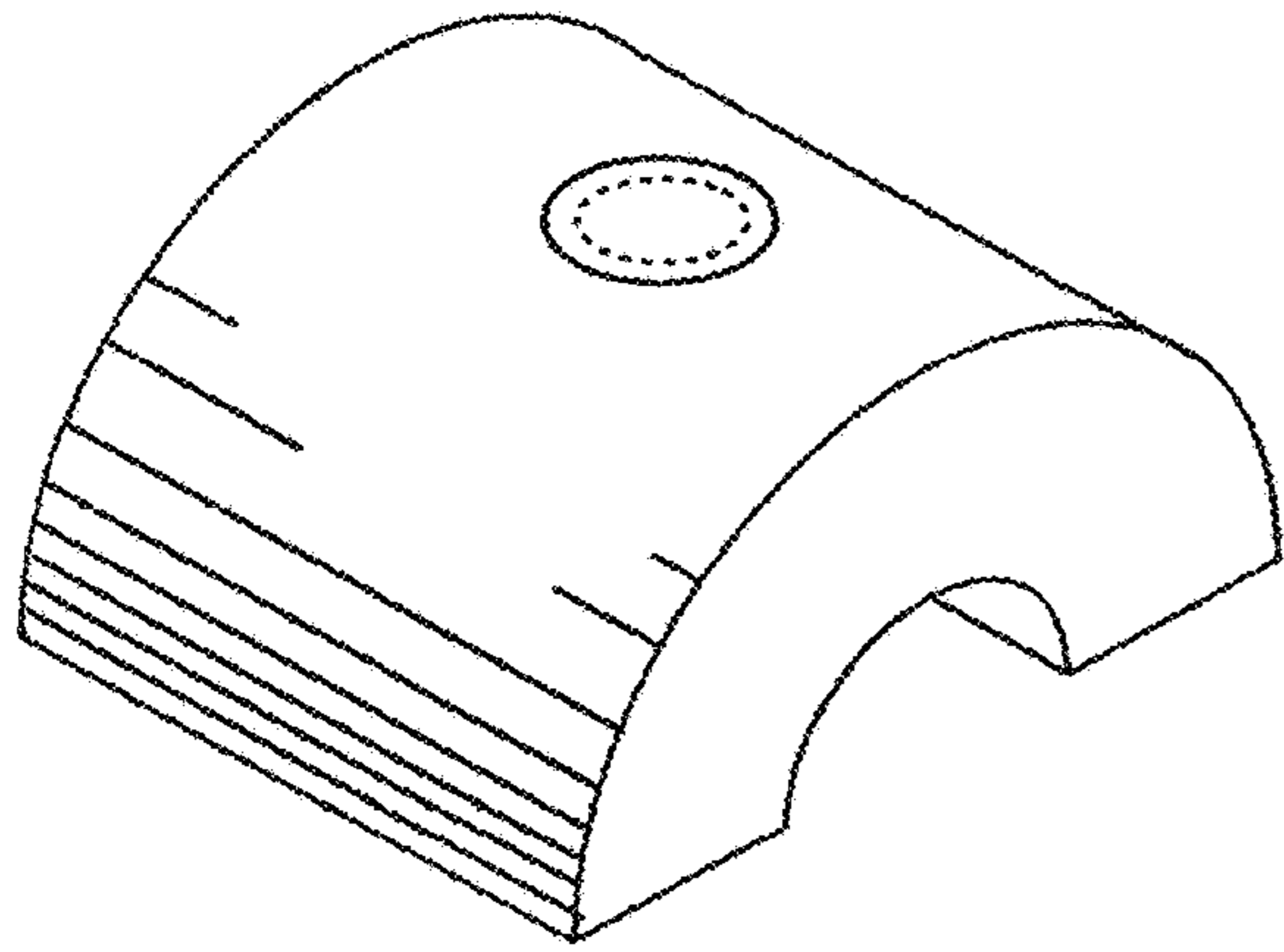


FIG. 1

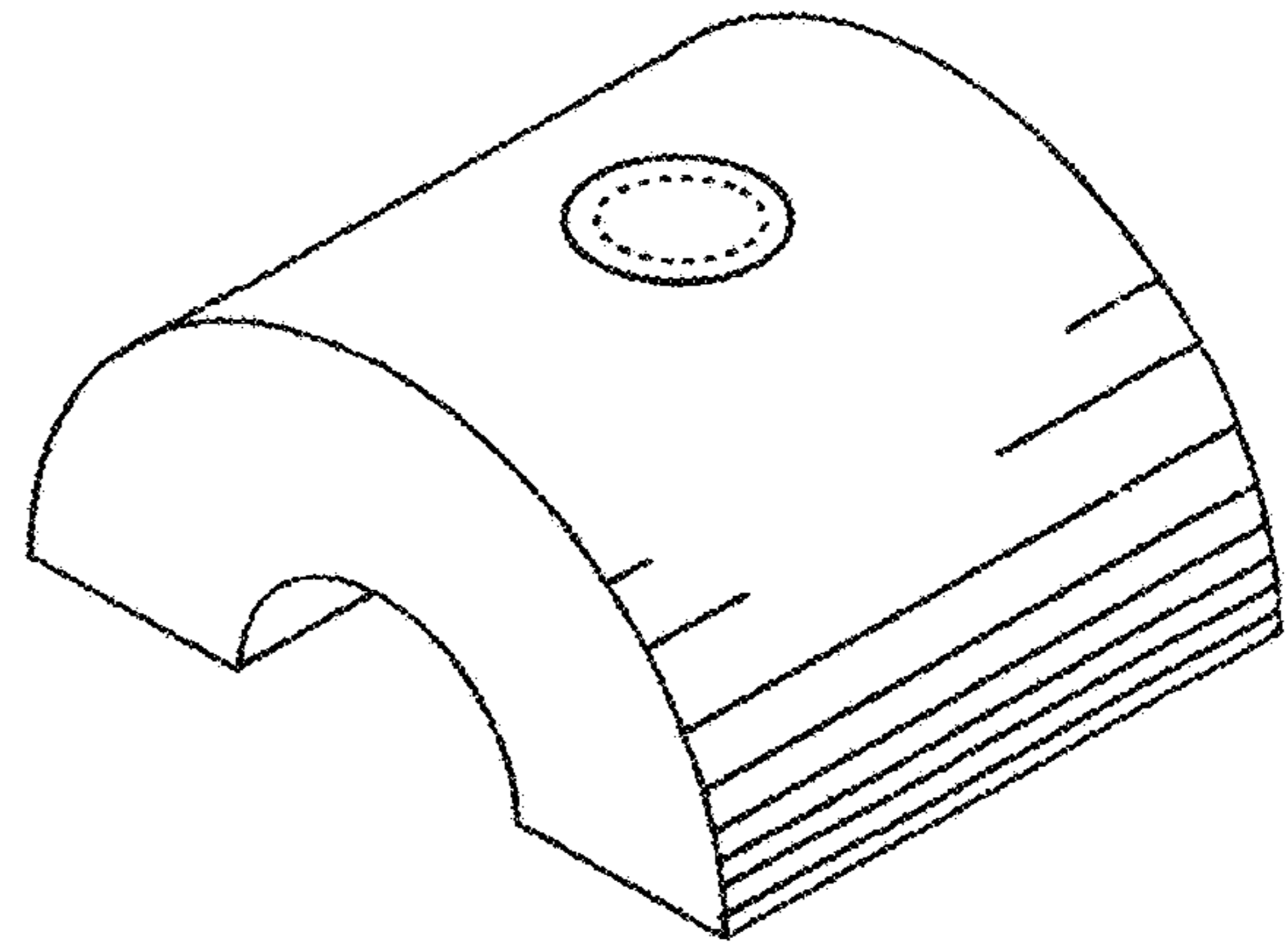


FIG. 2

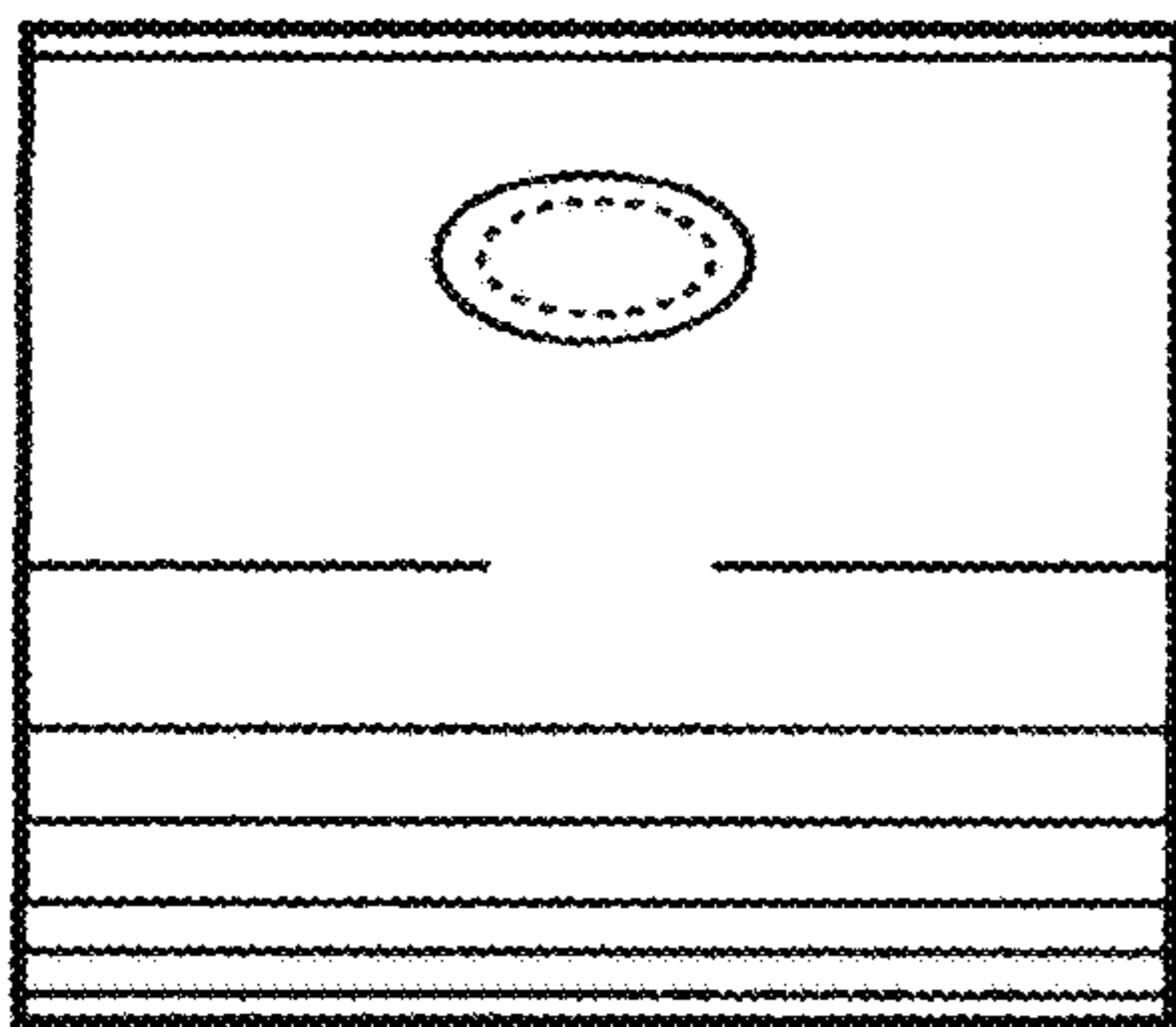


FIG. 3

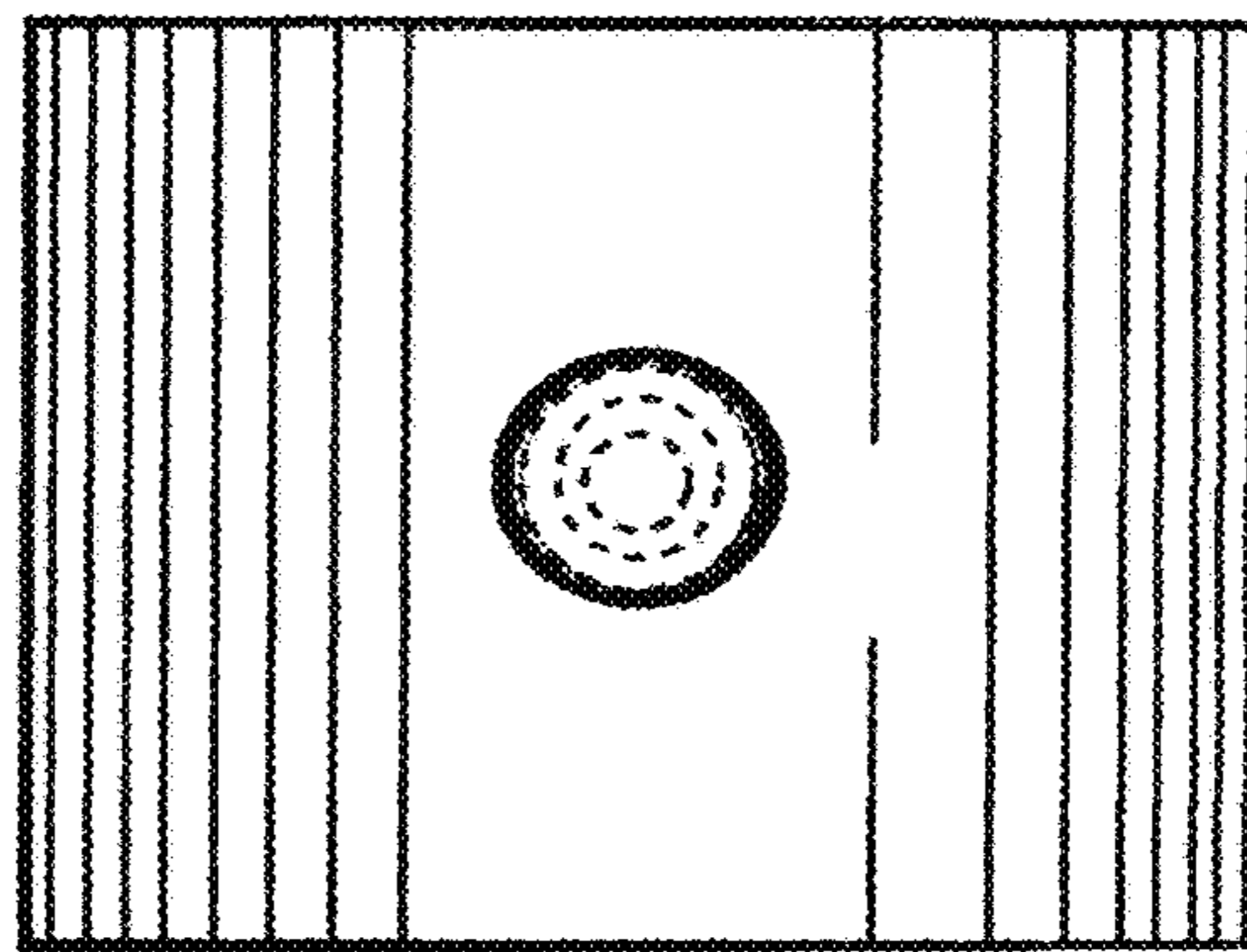


FIG. 4

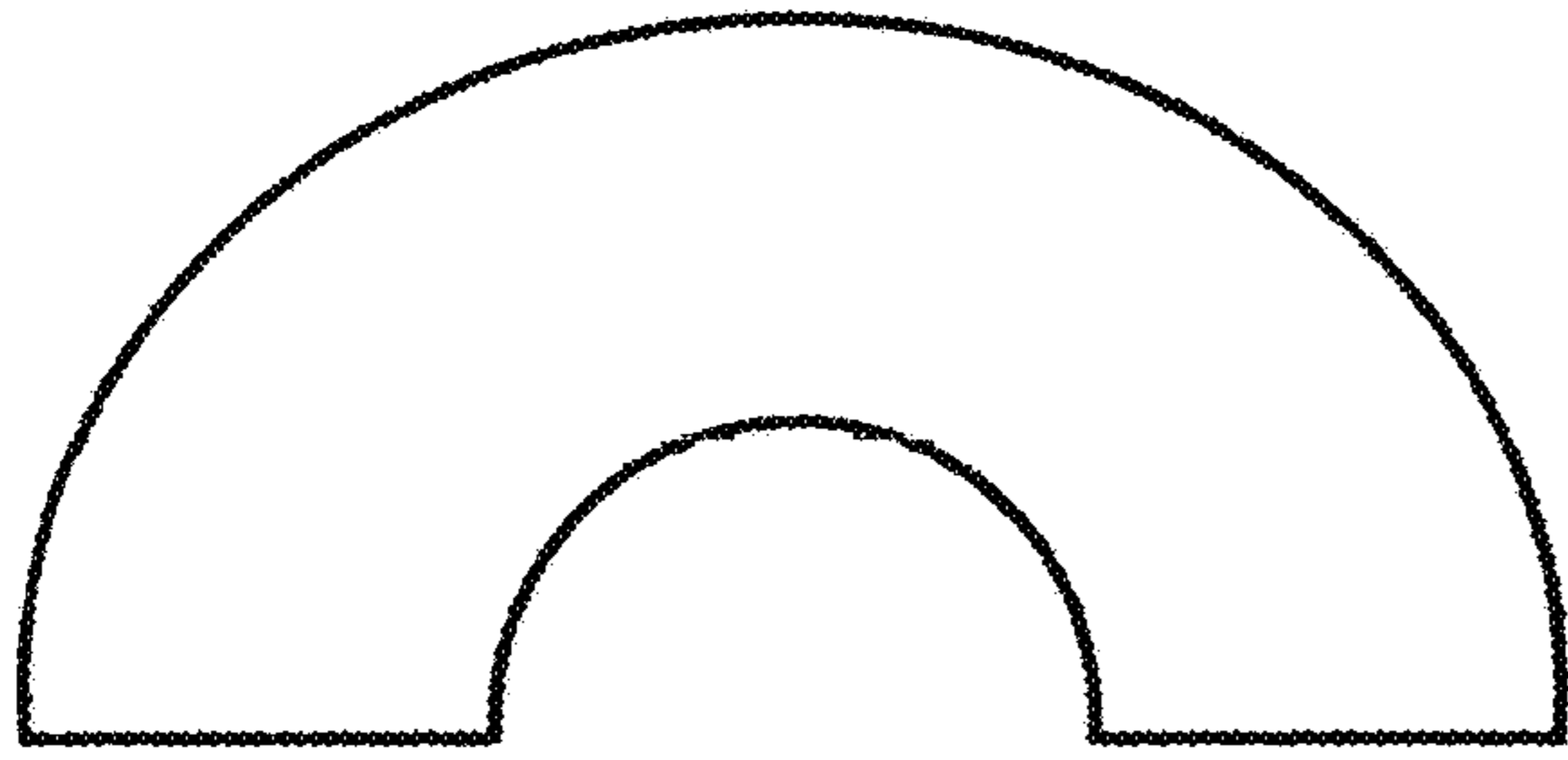


FIG. 5

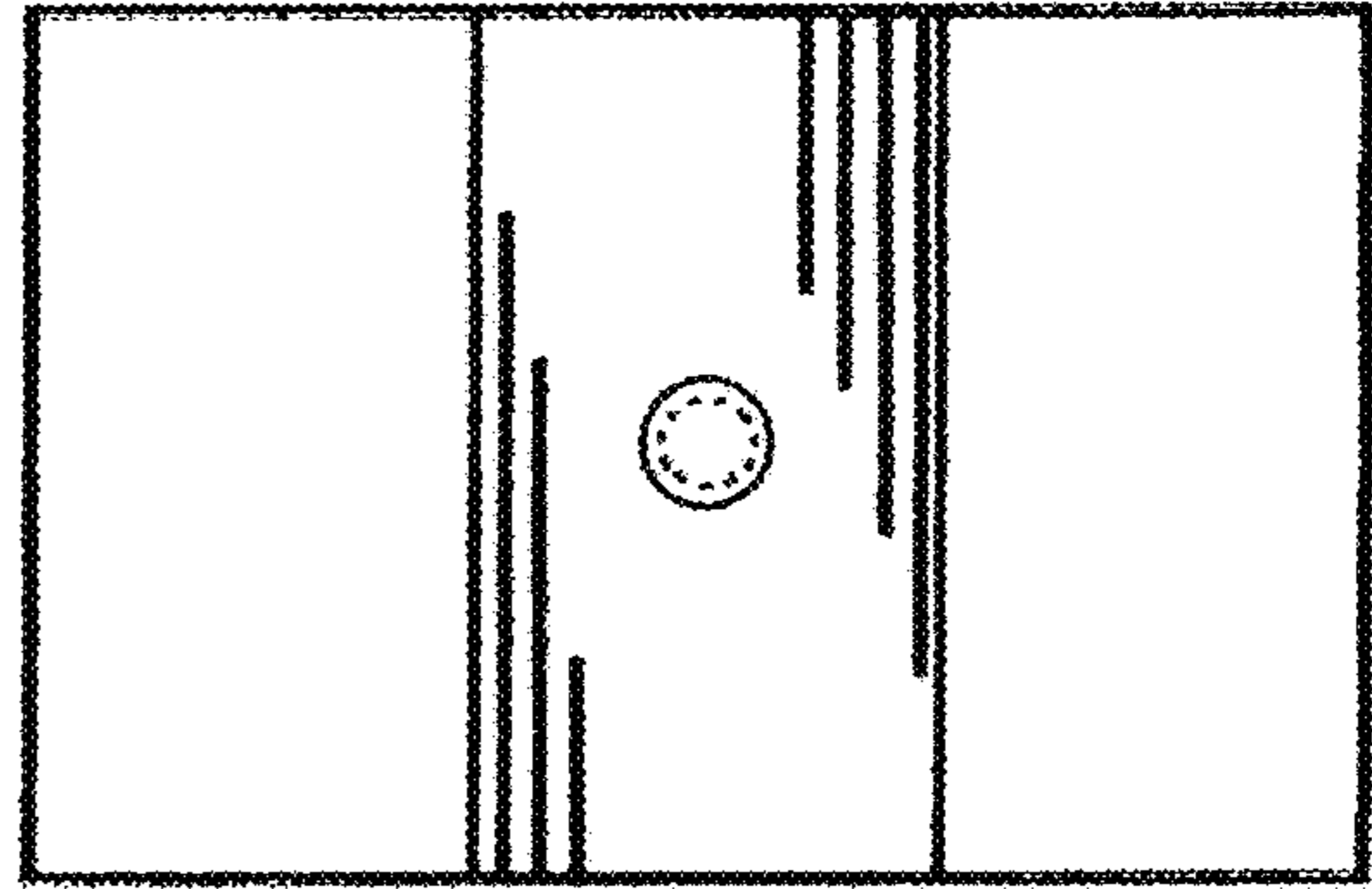


FIG. 6

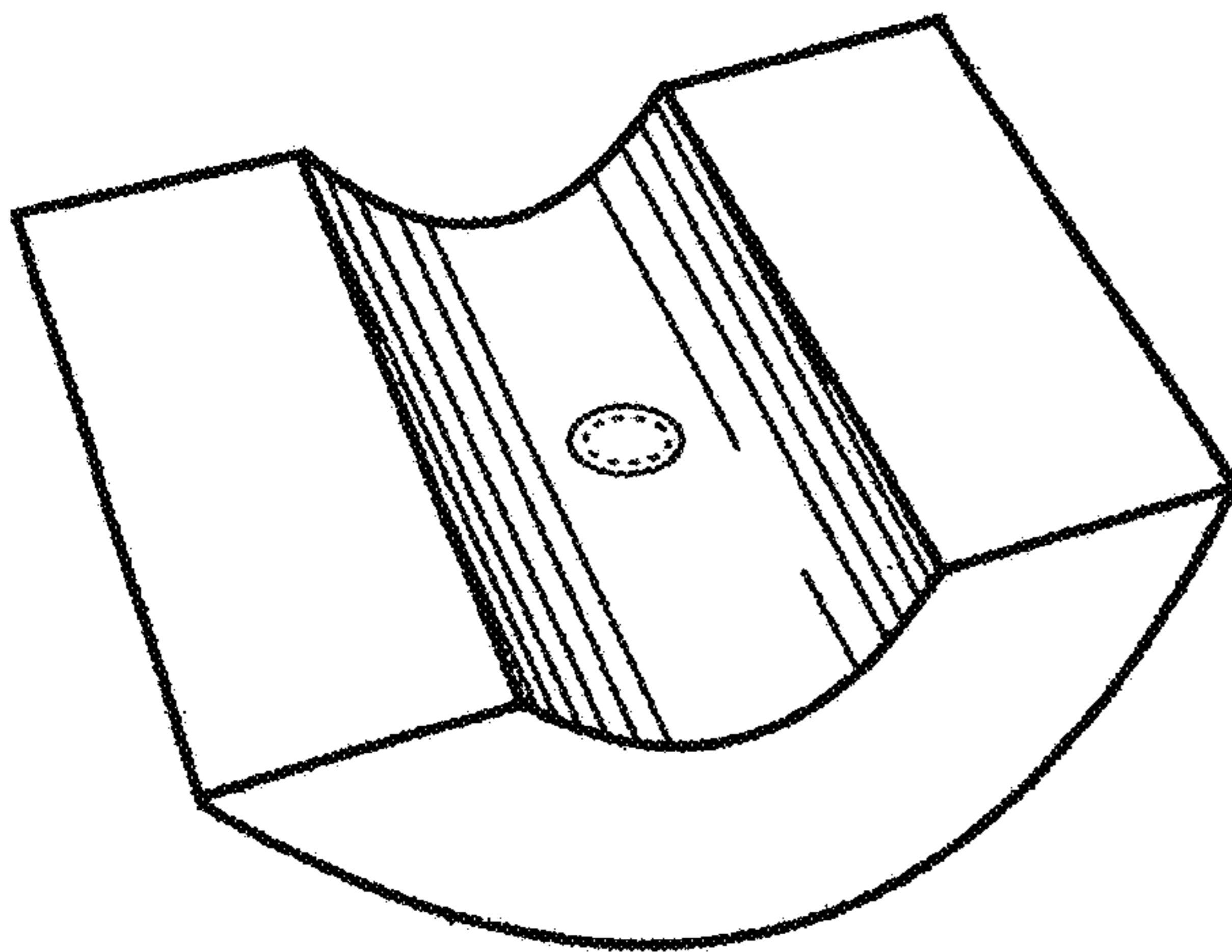


FIG. 7

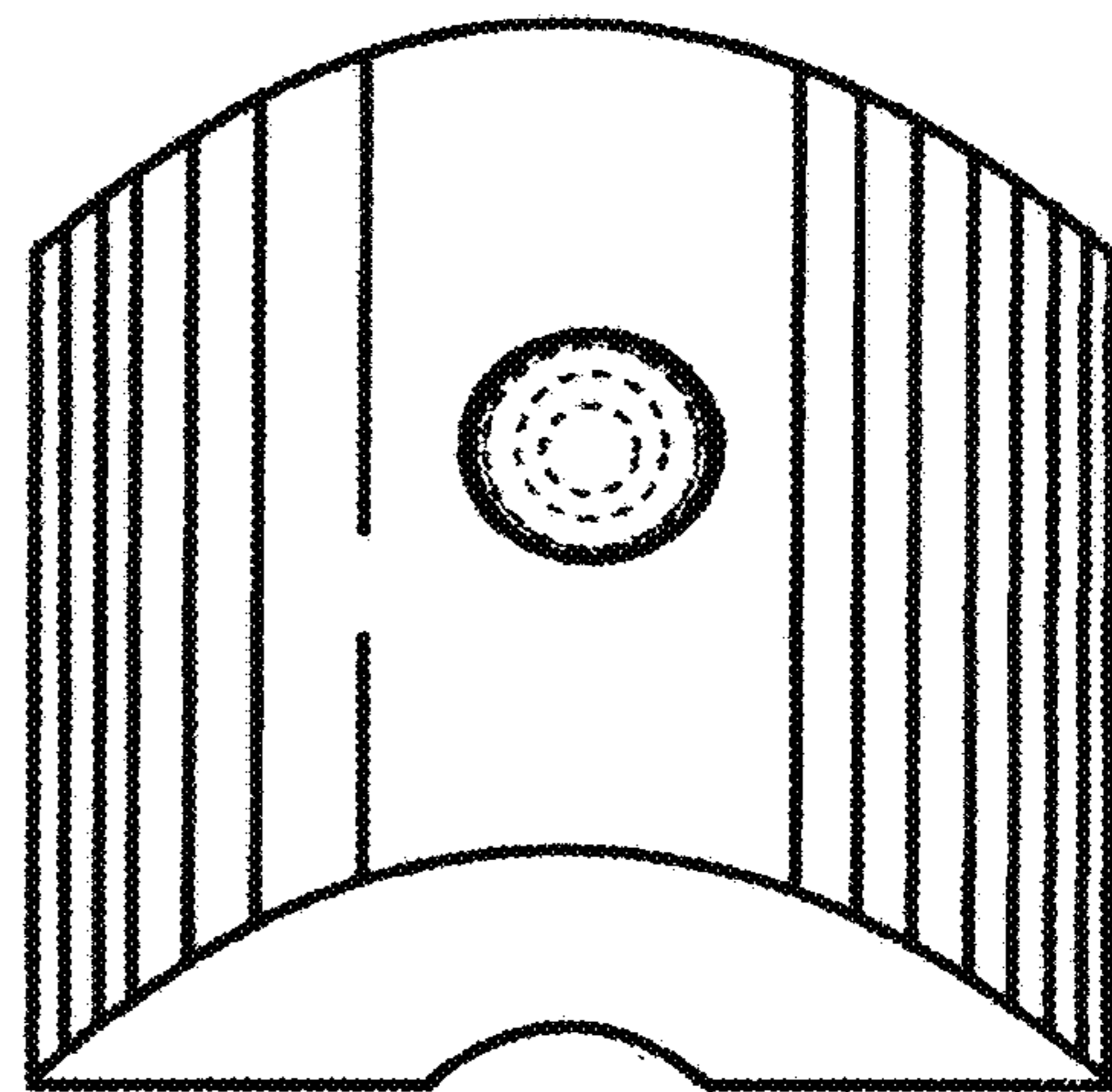


FIG. 8