

US00D923171S

(12) **United States Design Patent**
Miazga

(10) **Patent No.:** **US D923,171 S**
(45) **Date of Patent:** **** Jun. 22, 2021**

(54) **FLUID CONTROL DEVICE**
(71) Applicant: **Magnolia Medical Technologies, Inc.**,
Seattle, WA (US)
(72) Inventor: **Jay M. Miazga**, Langley, WA (US)
(73) Assignee: **Magnolia Medical Technologies, Inc.**,
Seattle, WA (US)
(**) Term: **15 Years**

D448,842 S * 10/2001 Madsen D24/112
8,672,962 B2 * 3/2014 Brenneman A61B 5/15123
606/181
8,920,454 B2 * 12/2014 Hyoue A61B 5/150595
606/181
9,134,286 B2 * 9/2015 Saiki A61B 5/150251
9,295,416 B2 * 3/2016 Bartfeld A61B 5/150259
D762,301 S * 7/2016 Keckstein D24/141
D773,055 S * 11/2016 Krauss D24/186
9,597,028 B2 * 3/2017 Marchiarullo G01N 1/4005
9,743,873 B2 * 8/2017 Gunnerson A61B 5/1468
9,743,874 B2 * 8/2017 Kashmirian A61J 1/2096
10,238,326 B2 * 3/2019 Gil A61B 5/150236

(21) Appl. No.: **29/657,117**
(22) Filed: **Jul. 19, 2018**
(51) **LOC (13) Cl.** **24-02**
(52) **U.S. Cl.**
USPC **D24/113**
(58) **Field of Classification Search**
USPC D24/112–114, 108, 130, 127, 133, 186;
606/181, 185; 604/264, 523–528, 272,
604/164.01–164.11, 187, 93.01; 600/101,
600/139, 143; 128/200.24, 207.14,
128/207.15
CPC A61B 5/150343; A61B 5/15003; A61M
25/065; A61M 5/42; A61M 25/0612;
A61M 25/00; A61M 39/00; A61M 27/00;
A61M 25/0043; A61M 25/0067; A61M
25/0097
See application file for complete search history.

* cited by examiner

Primary Examiner — David G Muller
(74) *Attorney, Agent, or Firm* — Cooley LLP

(57) **CLAIM**

The ornamental design for a fluid control device, as shown and described.

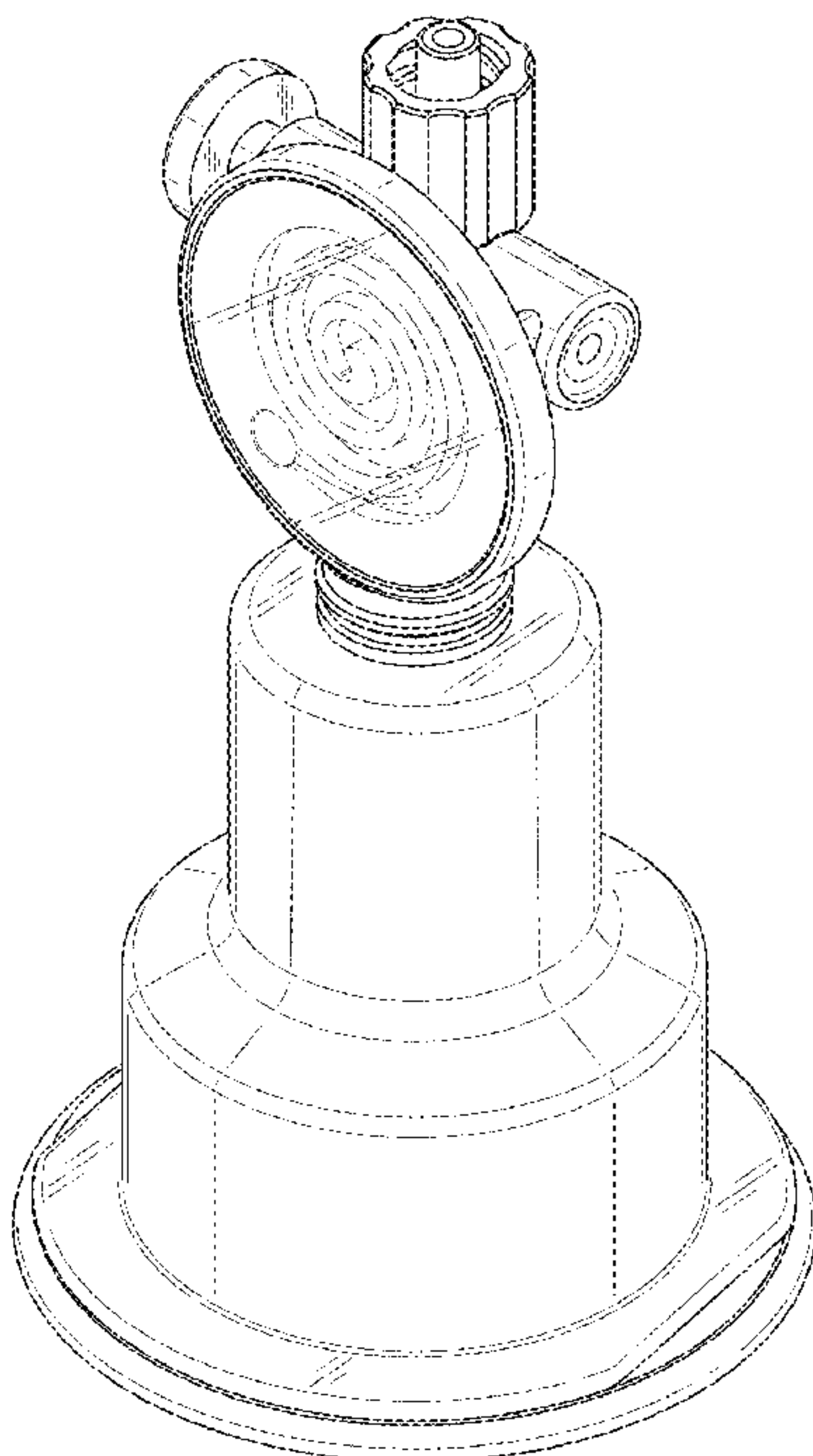
DESCRIPTION

FIG. 1 is a perspective view of an embodiment of the fluid control device;
FIG. 2 is a front view thereof;
FIG. 3 is a back view thereof;
FIG. 4 is a left side view thereof;
FIG. 5 is a right side view thereof;
FIG. 6 is a top view thereof; and,
FIG. 7 is a bottom view thereof.
The broken lines immediately adjacent the shaded areas represent the bounds of the claimed design while all other broken lines are directed to environment and are for illustrative purposes only; the broken lines form no part of the claimed design.

(56) **References Cited**
U.S. PATENT DOCUMENTS

D418,916 S * 1/2000 Bastable D24/108
6,093,179 A * 7/2000 O'Hara A61B 17/3415
604/500

1 Claim, 7 Drawing Sheets



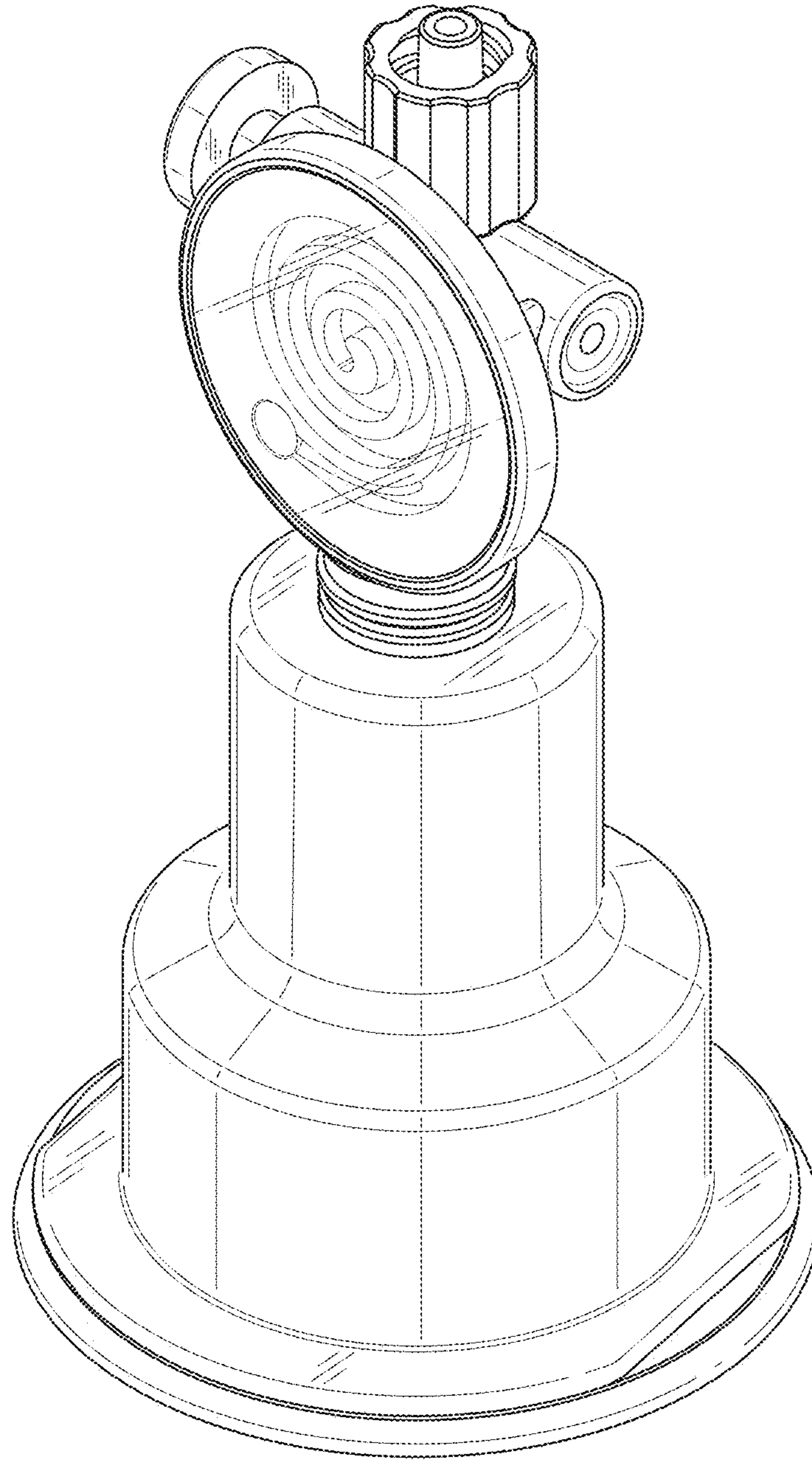


FIG. 1

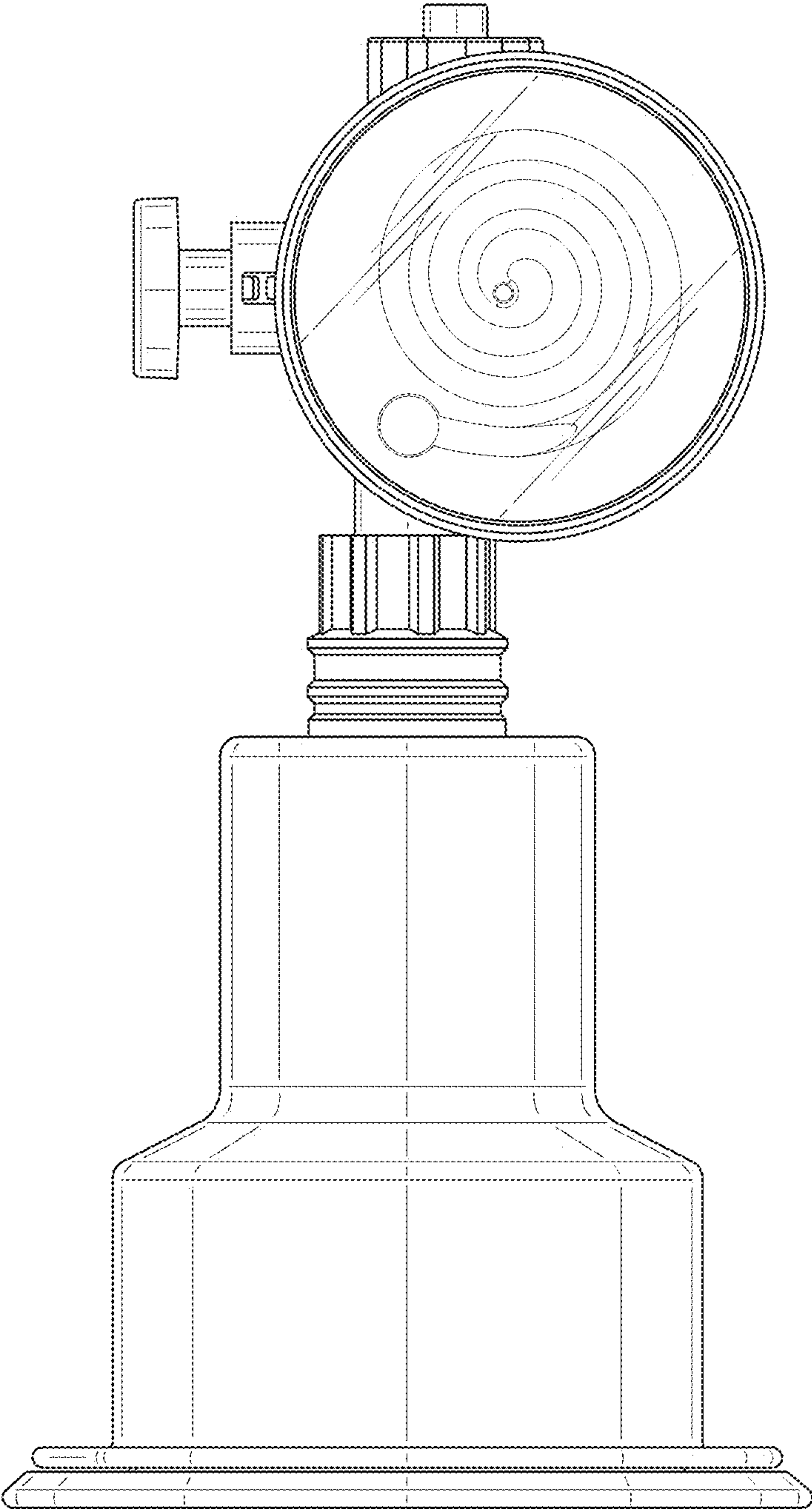


FIG. 2

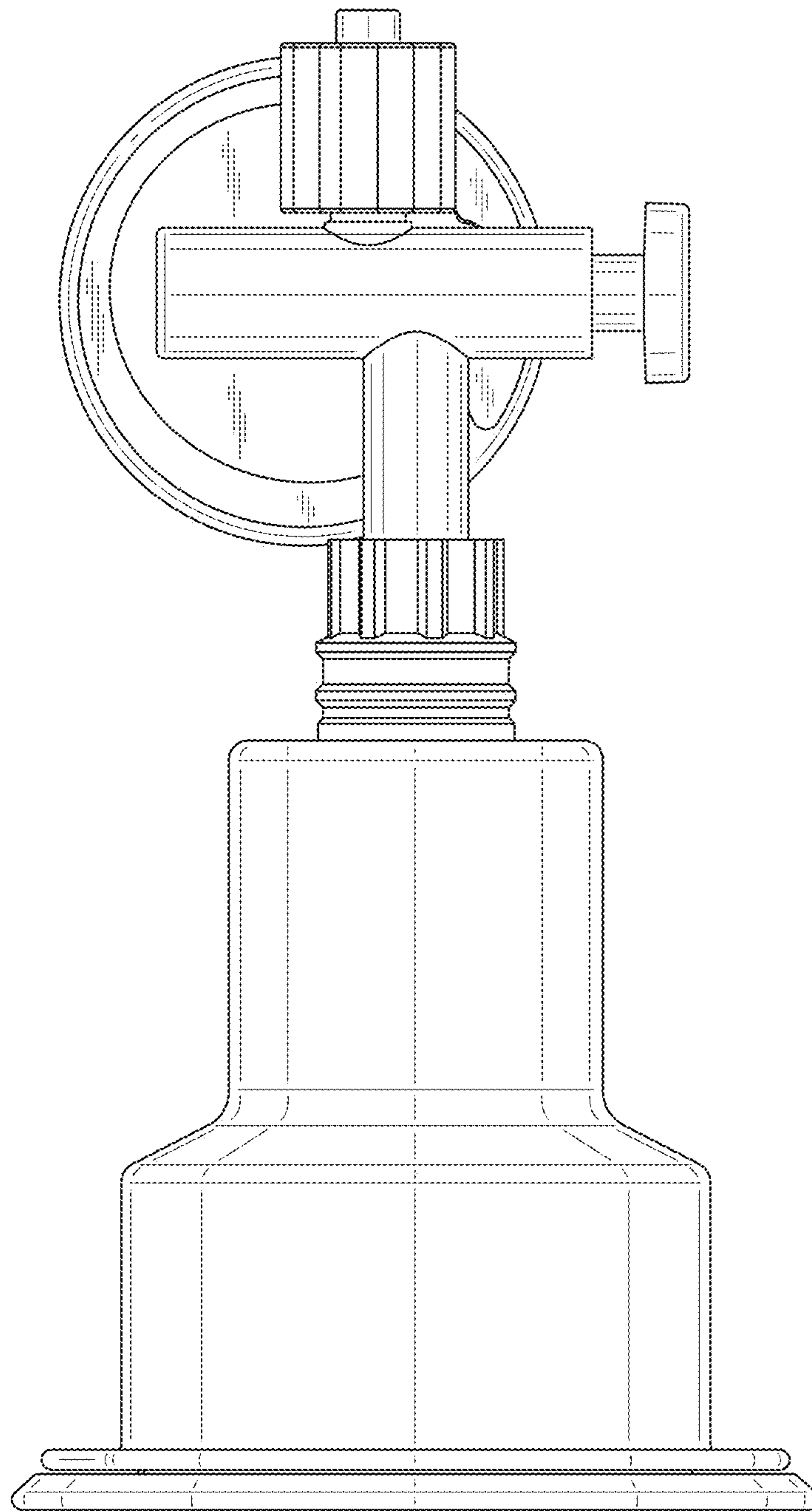


FIG. 3

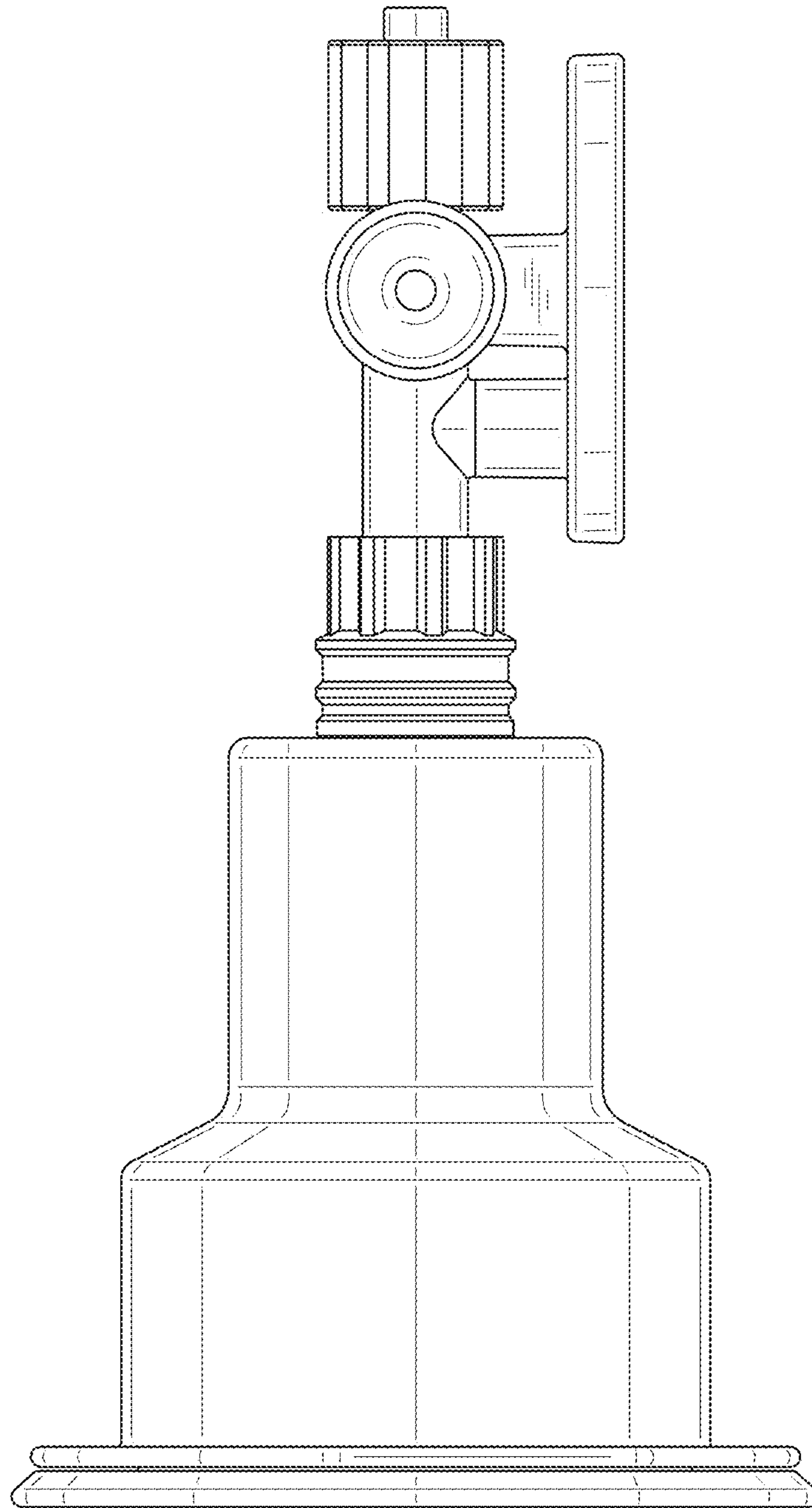


FIG. 4

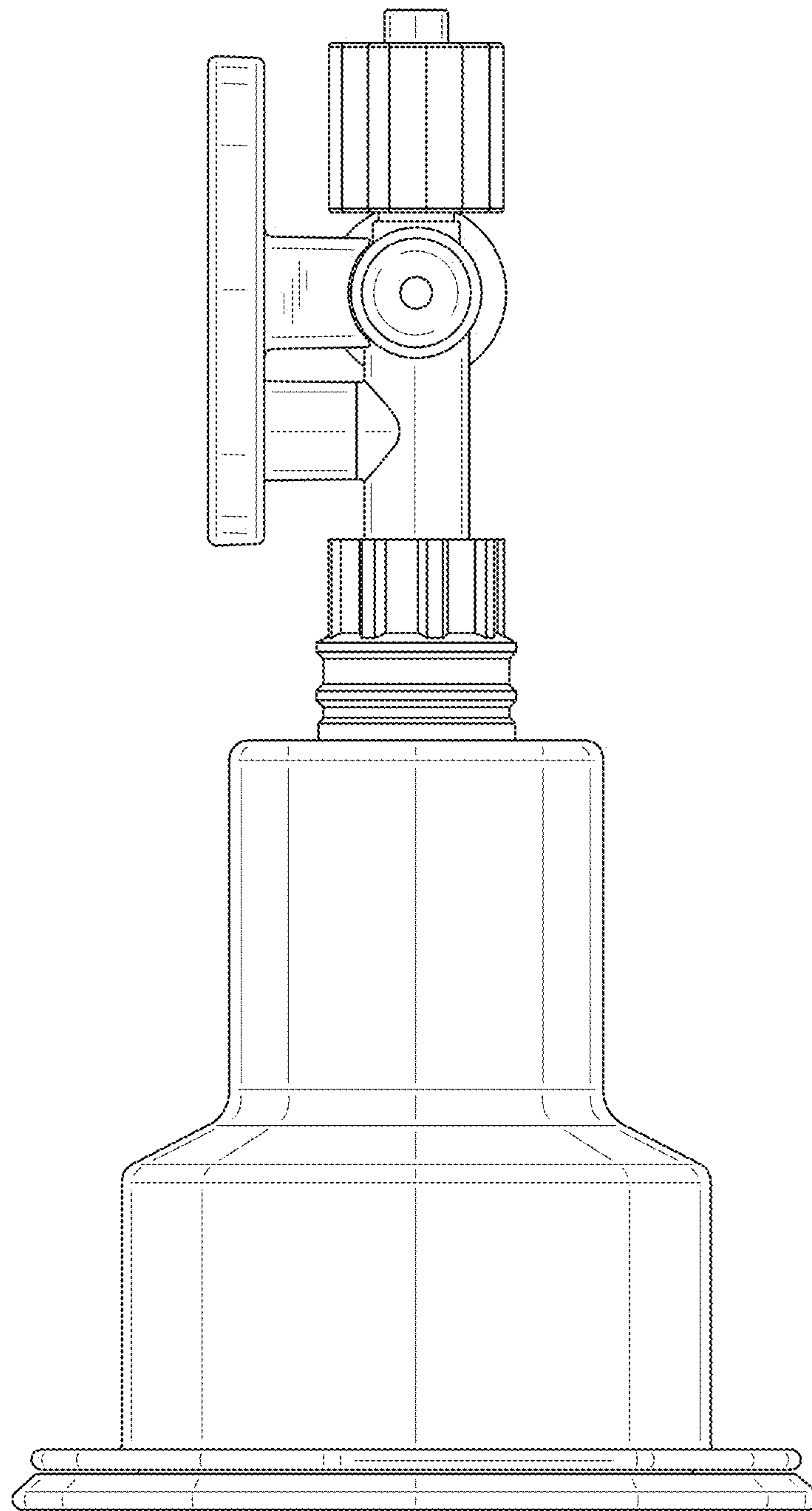


FIG. 5

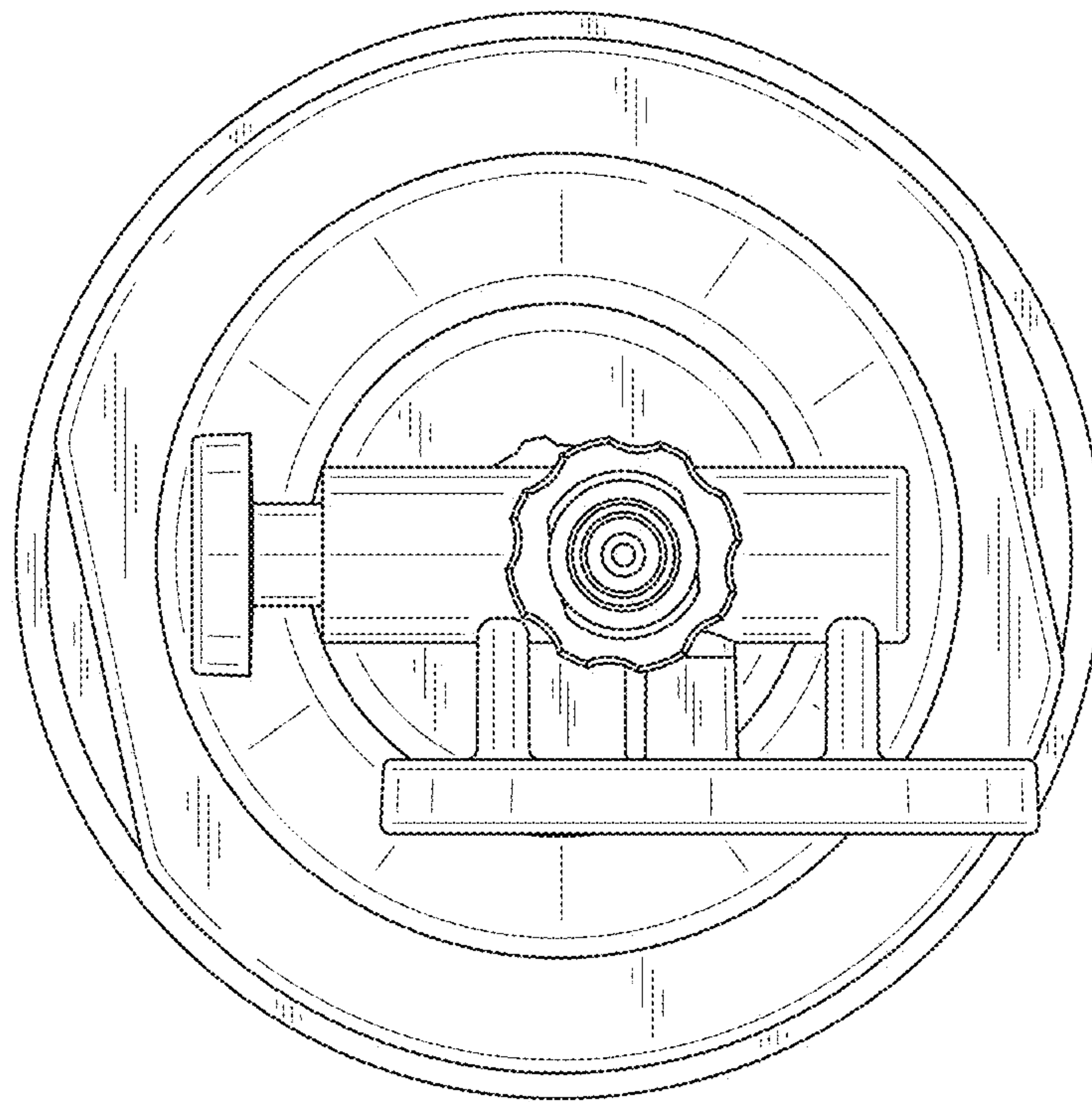


FIG. 6

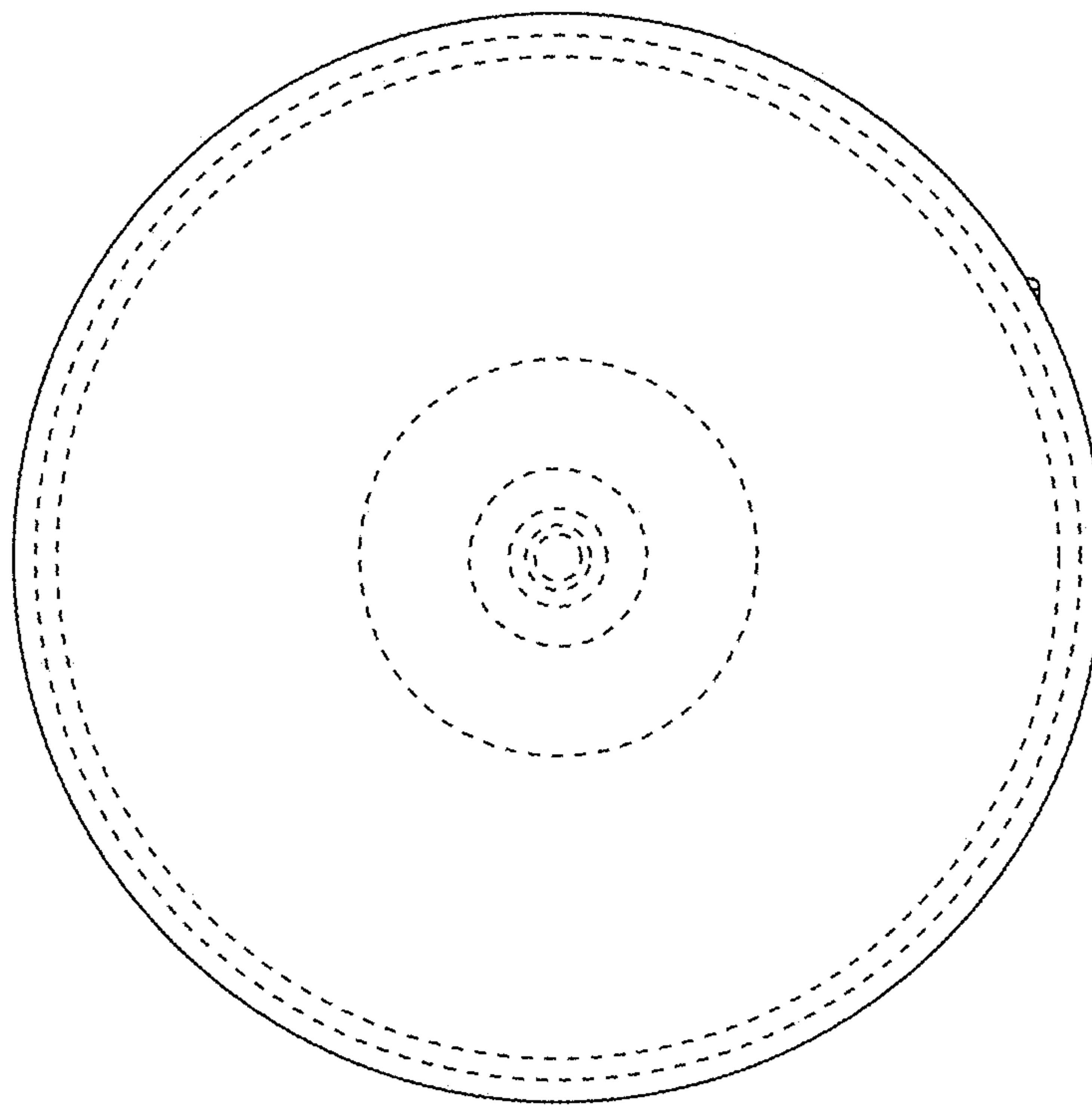


FIG. 7