



US00D923169S

(12) **United States Design Patent** (10) **Patent No.:** **US D923,169 S**  
**McCool et al.** (45) **Date of Patent:** **\*\* Jun. 22, 2021**

- (54) **CIRCUIT KIT FOR A HUMIDIFIER**
- (71) Applicant: **Fisher & Paykel Healthcare Limited**, Auckland (NZ)
- (72) Inventors: **Kiel Anthony McCool**, Auckland (NZ); **Callum McDonald Ross**, Auckland (NZ)
- (73) Assignee: **Fisher & Paykel Healthcare Limited**, Auckland (NZ)
- (\*\*) Term: **15 Years**
- (21) Appl. No.: **29/717,926**
- (22) Filed: **Dec. 19, 2019**

**Related U.S. Application Data**

- (62) Division of application No. 29/674,255, filed on Dec. 20, 2018, now Pat. No. Des. 874,654, which is a division of application No. 29/541,180, filed on Sep. 30, 2015, now Pat. No. Des. 841,147.
- (51) **LOC (13) Cl.** ..... **29-02**
- (52) **U.S. Cl.**  
USPC ..... **D24/110**
- (58) **Field of Classification Search**  
USPC ..... D24/110, 110.1-110.5, 127, 129  
CPC ..... A61M 16/0616; A61M 16/0633; A61M 16/06; A61M 16/0666; A61M 16/0683; A61M 16/0875; A61M 16/0816; A61M 16/08; A61M 16/0605; A61M 16/0622; A61M 16/0644  
See application file for complete search history.

(56) **References Cited**

**U.S. PATENT DOCUMENTS**

- 2,516,864 A 8/1950 Gilmore et al.
- 4,188,081 A 2/1980 Holden et al.
- 4,621,632 A 11/1986 Bartels et al.

- 4,686,354 A 8/1987 Makin
- D302,040 S 7/1989 Lambert
- 5,069,635 A 12/1991 Holden et al.
- D360,027 S 7/1995 Psaros
- 5,514,303 A 5/1996 Chiu et al.
- D439,326 S 3/2001 Hecker et al.
- 7,226,302 B2 6/2007 Walter et al.

(Continued)

**FOREIGN PATENT DOCUMENTS**

- WO WO 2012/164407 A1 12/2012
- WO WO 2014/077706 A1 5/2014

(Continued)

**OTHER PUBLICATIONS**

U.S. Appl. No. 29/540,276, filed Sep. 22, 2015, Maeckelberghe, et al.

(Continued)

*Primary Examiner* — Lilyana Bekic

(74) *Attorney, Agent, or Firm* — Knobbe, Martens, Olson & Bear, LLP

(57) **CLAIM**

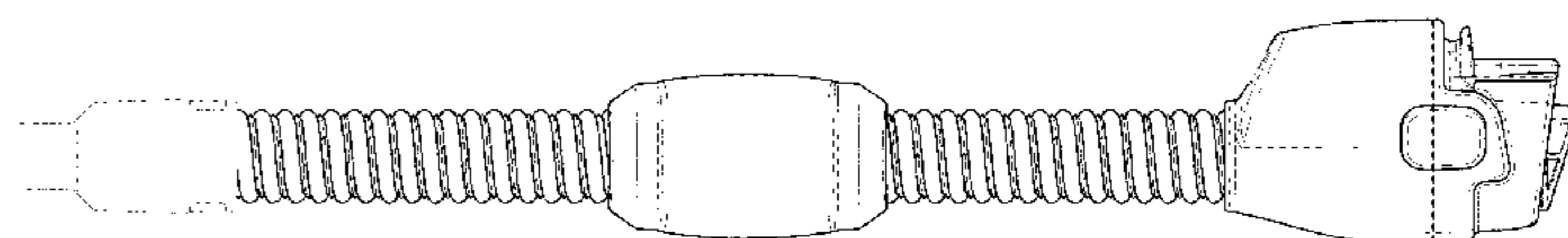
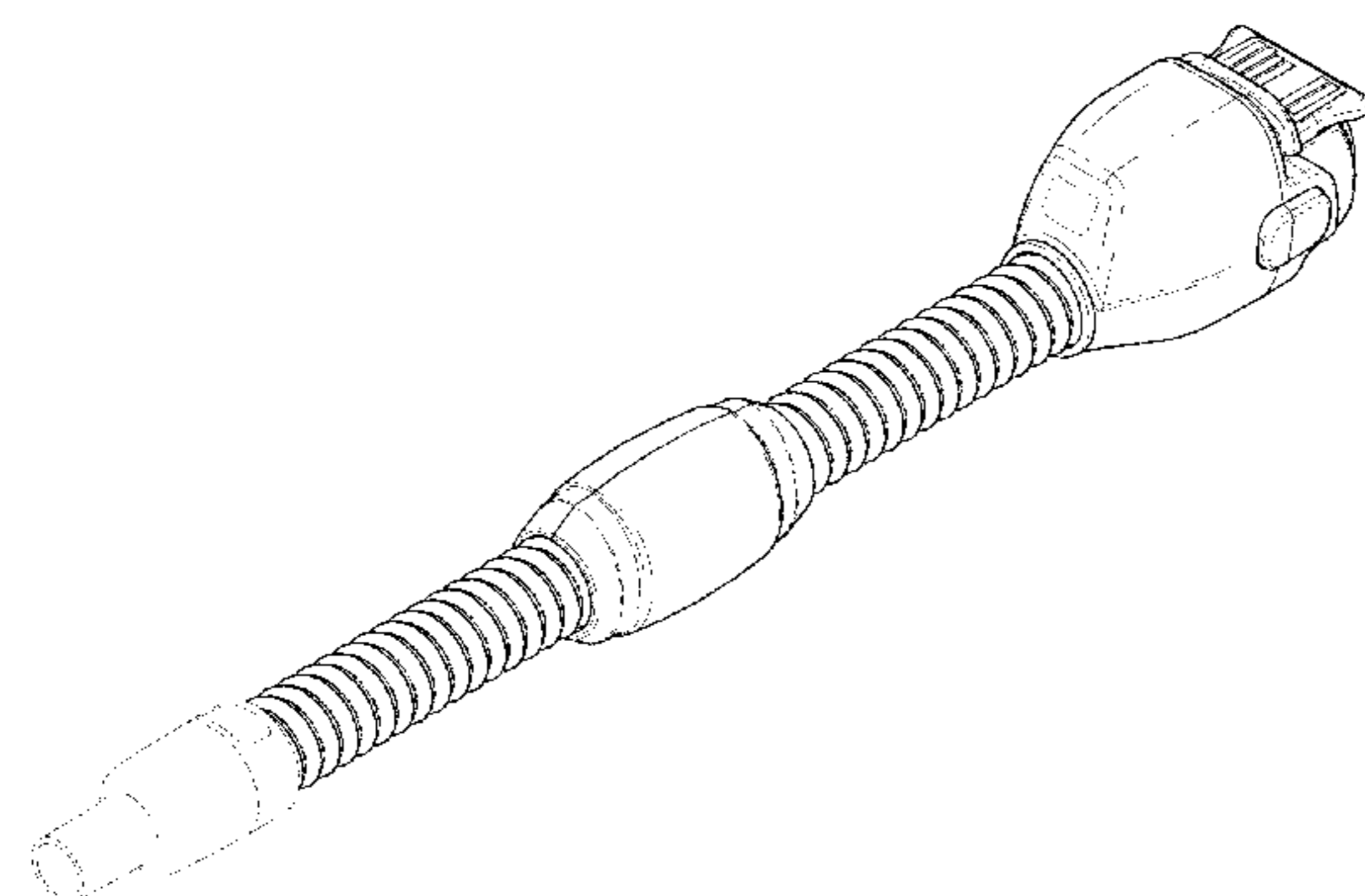
The ornamental design for a circuit kit for a humidifier, as shown and described.

**DESCRIPTION**

FIG. 1 is a top, front, and left side perspective view of a circuit kit for a humidifier showing our new design; FIG. 2 is a left side view thereof; FIG. 3 is a right side view thereof; FIG. 4 is a top view thereof; FIG. 5 is a bottom view thereof; FIG. 6 is a front view thereof; and, FIG. 7 is a rear view thereof.

Broken lines are used to illustrate features of the circuit kit for a humidifier which form no part of the claimed design.

**1 Claim, 4 Drawing Sheets**



(56)

References Cited

U.S. PATENT DOCUMENTS

D628,288 S 11/2010 Row et al.  
 D629,891 S 12/2010 Virr et al.  
 D629,892 S 12/2010 Hill et al.  
 D638,536 S 5/2011 Row et al.  
 D638,537 S 5/2011 Virr et al.  
 D638,933 S 5/2011 Hill et al.  
 D652,916 S 1/2012 Row et al.  
 D652,917 S 1/2012 Hill et al.  
 D655,813 S 3/2012 Row  
 8,240,306 B2 8/2012 Cortez, Jr. et al.  
 D671,209 S 11/2012 Row et al.  
 D675,730 S 2/2013 Lithgow et al.  
 D677,789 S 3/2013 Row et al.  
 8,453,640 B2 6/2013 Martin et al.  
 D710,493 S 8/2014 Wu  
 8,905,031 B2 12/2014 Barlow  
 D737,953 S 9/2015 Wells et al.  
 D741,477 S 10/2015 Rogers  
 D742,508 S 11/2015 Row et al.  
 D751,687 S 3/2016 Daly  
 D751,688 S 3/2016 Daly  
 D761,422 S 7/2016 Row et al.  
 D762,843 S 8/2016 Formica et al.  
 D805,630 S 12/2017 Formica et al.  
 D807,995 S 1/2018 Maeckelberghe et al.  
 D808,516 S 1/2018 Edwards et al.  
 D809,124 S 1/2018 Bertinetti et al.  
 D822,817 S 7/2018 Maeckelberghe et al.  
 D822,818 S 7/2018 Maeckelberghe et al.  
 D841,147 S 2/2019 McCool et al.  
 D841,148 S 2/2019 Stoks et al.  
 D847,326 S 4/2019 Eury et al.  
 D849,232 S 5/2019 Formica et al.  
 10,449,318 B2 \* 10/2019 Graham ..... A61M 16/0808  
 10,456,547 B2 \* 10/2019 Miller ..... A61M 39/1055  
 D874,645 S \* 2/2020 McCool ..... D24/110  
 D878,546 S \* 3/2020 Formica ..... D24/110  
 D880,686 S \* 4/2020 Stoks ..... D24/110  
 10,688,270 B2 \* 6/2020 Sims ..... A61M 16/1095  
 10,850,059 B2 \* 12/2020 Bencke ..... A61M 39/10  
 2003/0236015 A1 12/2003 Edirisuriya et al.  
 2009/0025724 A1 1/2009 Herron, Jr.  
 2009/0136341 A1 5/2009 Kenyon  
 2009/0266361 A1 10/2009 Bilger et al.  
 2012/0227738 A1 9/2012 Virr et al.

2012/0304994 A1 12/2012 Kwok  
 2013/0008440 A1 1/2013 Maurer et al.  
 2013/0047987 A1 2/2013 Mays  
 2013/0333701 A1 12/2013 Herron  
 2014/0158133 A1 6/2014 Acosta  
 2015/0128944 A1 5/2015 Buechi  
 2015/0277733 A1 10/2015 Schwaibold  
 2015/0283350 A1 10/2015 Miller et al.  
 2015/0306326 A1 10/2015 Graham  
 2015/0306332 A1 10/2015 Bafle  
 2017/0000967 A1 \* 1/2017 Sims ..... A61M 13/006  
 2017/0100556 A1 4/2017 Munkelt et al.  
 2017/0209610 A1 7/2017 Leyva et al.  
 2017/0304578 A1 10/2017 Stoks  
 2017/0361051 A1 12/2017 Eifler  
 2018/0214659 A1 8/2018 Forrester  
 2019/0022344 A1 \* 1/2019 Lau ..... A61M 16/1095  
 2019/0076620 A1 3/2019 Stoks  
 2019/0336627 A1 \* 11/2019 Lucio ..... A61L 2/208  
 2019/0344037 A1 11/2019 Forrester  
 2019/0388640 A1 \* 12/2019 Graham ..... F16L 53/38  
 2020/0016359 A1 \* 1/2020 Miller ..... A61M 16/0816  
 2020/0093948 A1 \* 3/2020 Miko ..... A61L 2/26  
 2020/0114113 A1 \* 4/2020 Hermez ..... A61M 16/0875  
 2020/0129722 A1 \* 4/2020 Foote ..... A61M 16/0875  
 2020/0147334 A1 \* 5/2020 Gray ..... F16L 9/16  
 2020/0147336 A1 \* 5/2020 Hobbs ..... A61M 16/0816  
 2020/0171186 A1 \* 6/2020 Leyva ..... A61L 2/26  
 2020/0330718 A1 \* 10/2020 Forrester ..... A61M 16/0875  
 2021/0038852 A1 \* 2/2021 Bencke ..... F16L 37/098

FOREIGN PATENT DOCUMENTS

WO WO 2014/088430 A1 6/2014  
 WO WO 2015/14219 9/2015  
 WO WO2017/043981 A1 3/2017

OTHER PUBLICATIONS

U.S. Appl. No. 29/625933, filed Sep. 14, 2017, Maeckelberghe, et al.  
 International Standard, ISO 11664-4, dated Nov. 1, 2008; 18 pages.  
 News Release; Airvo Nasal High Flow System; May 12, 2015; 2 pages.  
 U.S. Appl. No. 29/626135, filed Nov. 15, 2017, Maeckelberghe, et al.

\* cited by examiner

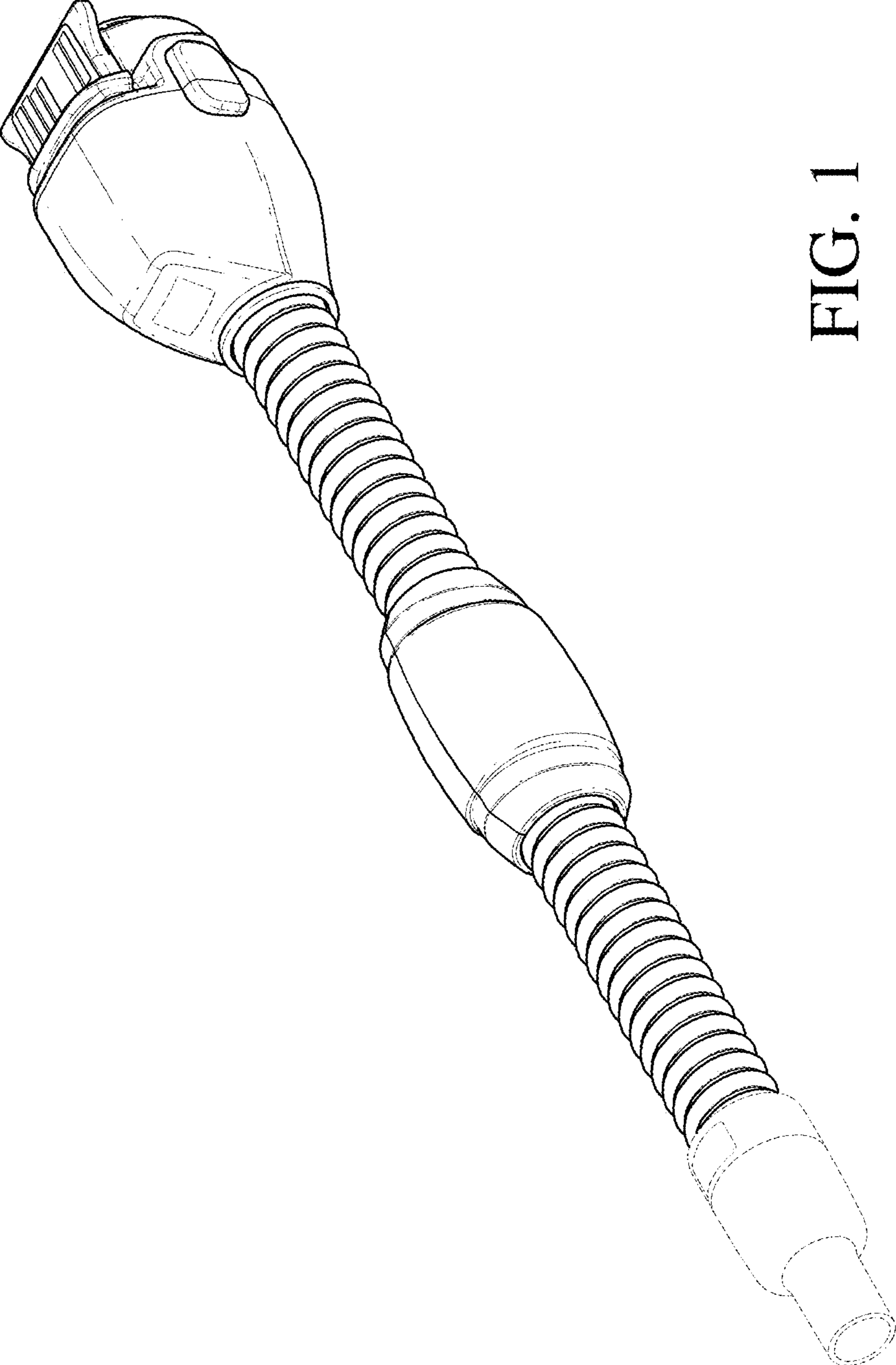


FIG. 1

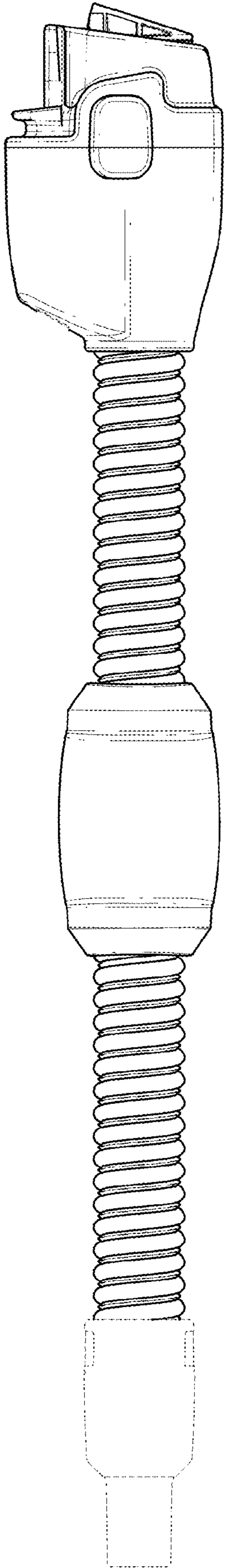


FIG. 2

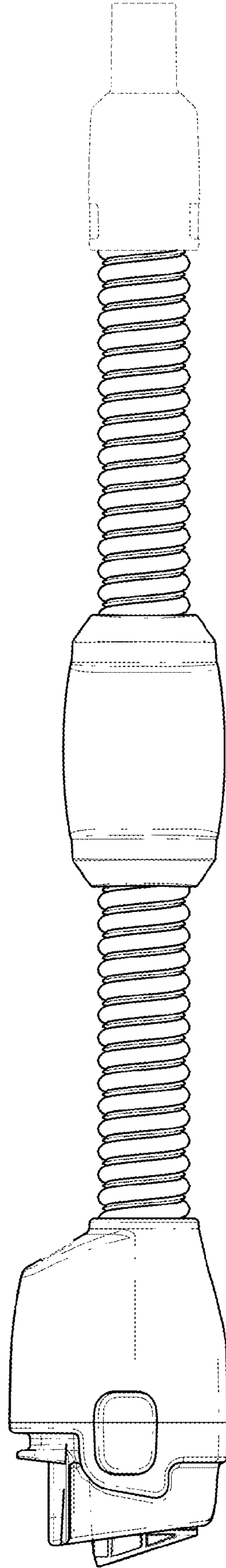


FIG. 3

FIG. 4

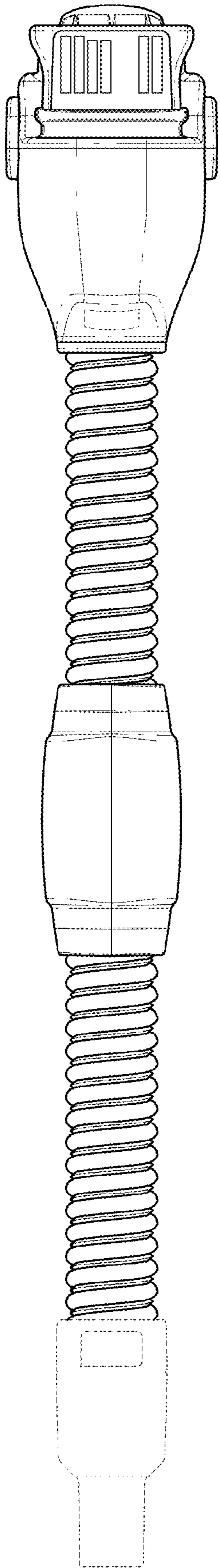
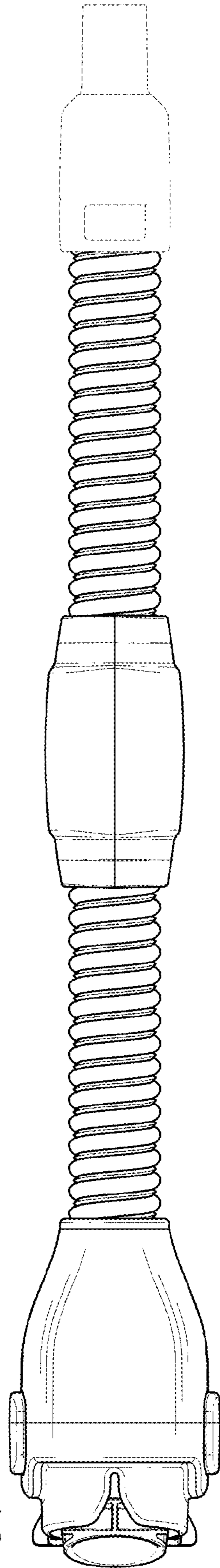


FIG. 5



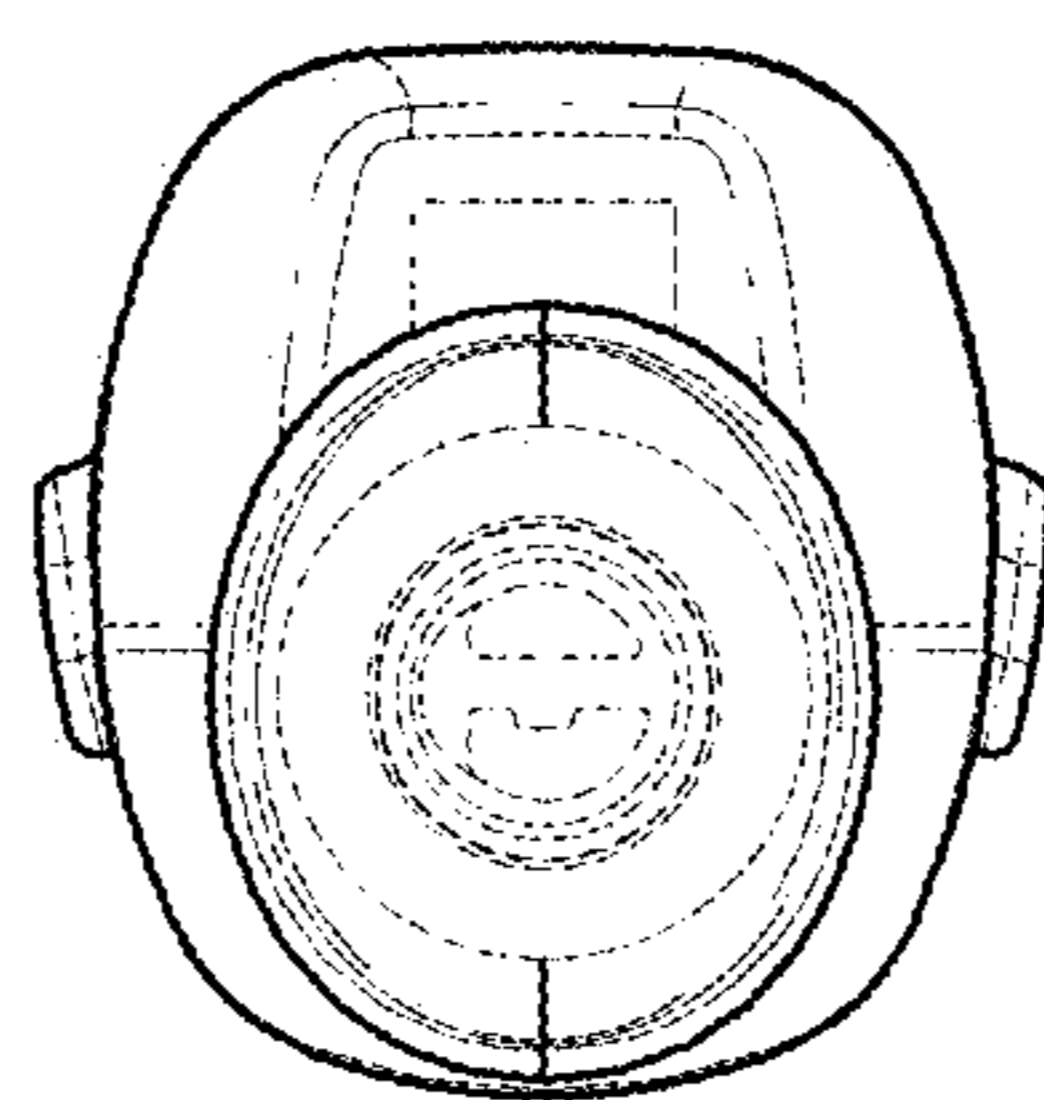


FIG. 6

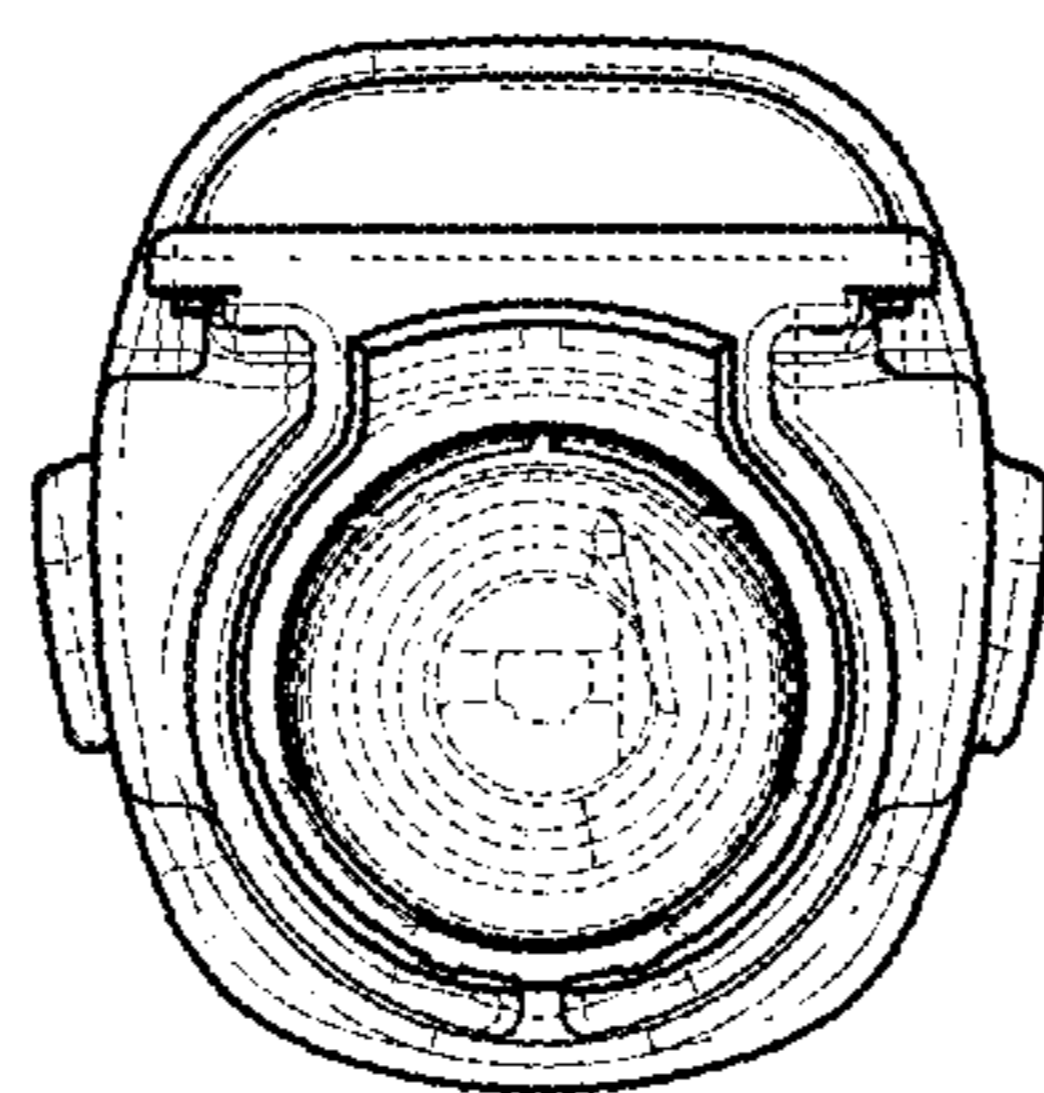


FIG. 7