



US00D923167S

(12) **United States Design Patent** (10) **Patent No.:** **US D923,167 S**
Paladino et al. (45) **Date of Patent:** **** Jun. 22, 2021**

(54) **FIRE PIT BURNER COVER**

(71) Applicant: **Music City Fire Company**, Incline Village, CA (US)

(72) Inventors: **Stephen Paladino**, Incline Village, CA (US); **Robert Buckley**, Incline Village, CA (US)

(73) Assignee: **Music City Fire Company**, Incline Village, CA (US)

(**) Term: **15 Years**

(21) Appl. No.: **29/650,093**

(22) Filed: **Jun. 4, 2018**

(51) **LOC (13) Cl.** **07-08**

(52) **U.S. Cl.**
USPC **D23/403**

(58) **Field of Classification Search**
 USPC D7/409; D23/261, 267, 327, 354, 385, D23/386, 387, 388, 389, 392, 393, 397, D23/403, 407, 415; D6/703; D8/400; D25/48.3
 CPC .. F23M 7/04; F24F 12/00; F24F 13/00; F24F 13/0227; F24F 13/0236; E04D 13/08; E04D 13/064; E04D 13/076
 See application file for complete search history.

(56) **References Cited**

U.S. PATENT DOCUMENTS

D367,925	S	*	3/1996	Smilo	D23/370
5,509,950	A	*	4/1996	van de Graaf	B01D 46/0005
						55/486
D394,695	S	*	5/1998	Blais	D23/330
D415,921	S	*	11/1999	Harris	D6/630
D620,570	S	*	7/2010	Thomas	D23/342
D683,441	S	*	5/2013	Simone	D23/393
D693,153	S	*	11/2013	Kwok	D6/661

(Continued)

Primary Examiner — Karen S Acker

Assistant Examiner — Steven B Reinholdt, Jr.

(74) *Attorney, Agent, or Firm* — Brownstein Hyatt Farber Schreck, LLP

(57) **CLAIM**

We claim the ornamental design for a fire pit burner cover, as shown and described.

DESCRIPTION

FIG. 1 is a top, right, and front perspective view of a first embodiment of a fire pit burner cover shown in a use configuration with a fire pit; the top, left, and rear perspective view being identical thereto.

FIG. 2 is an enlarged detail view of the area labeled 2 in FIG. 1.

FIG. 3 is an enlarged detail cross-section view taken in the direction of line 3-3 shown in FIG. 1.

FIG. 4 is a top, right, and front perspective view of a second embodiment of a fire pit burner cover shown in a use configuration with a fire pit; the top, left, and rear perspective view being identical thereto.

FIG. 5 is an enlarged detail view of the area labeled 5 in FIG. 4; and,

FIG. 6 is an enlarged detail cross-section view in the direction of line 6-6 shown in FIG. 4.

The evenly spaced broken lines and the areas within them depict the environment of a fire pit that forms no part of the claimed design.

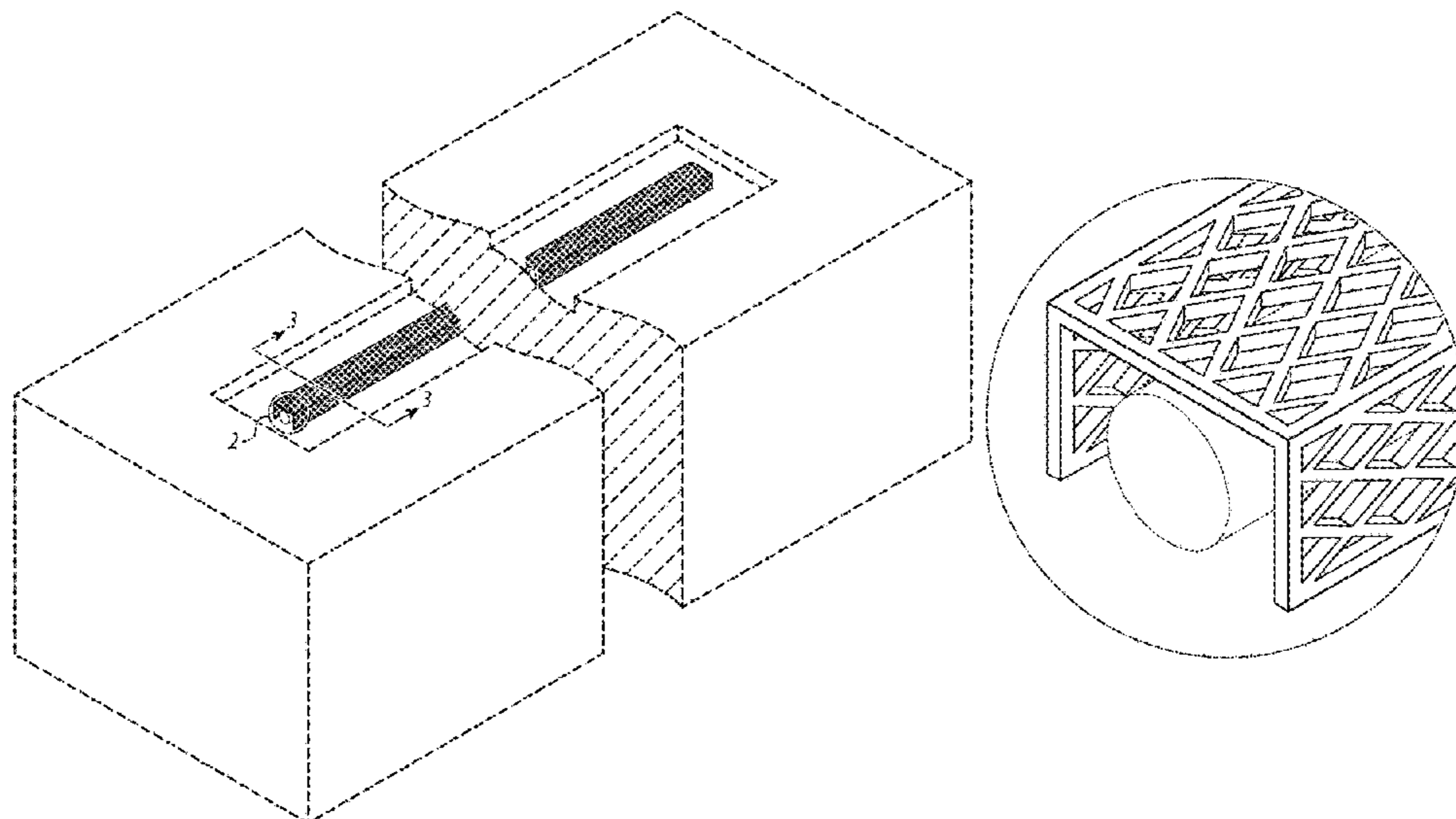
The area between the symbolic breaks separating the fire pit burner cover forms no part of the claimed design.

The dot-dash-dot broken lines in FIGS. 1 and 3 denote the cross-section cut that forms no part of the claimed design.

The dot-dot-dash broken lines in FIGS. 1, 2, 4, and 5 depict the boundaries of the enlarged detail views and form no part of the claimed design.

The dot-dash-dot broken lines in FIGS. 3 and 6 denote the boundaries of the enlarged detail cross-section views and form no part of the claimed design.

1 Claim, 6 Drawing Sheets



(56)

References Cited

U.S. PATENT DOCUMENTS

8,833,360 B2 * 9/2014 Knight A47J 37/0754
126/21 A
D834,699 S * 11/2018 Joly D23/395
D850,610 S * 6/2019 Drummond D23/393
2019/0383490 A1 * 12/2019 Paladino F24C 3/082

* cited by examiner

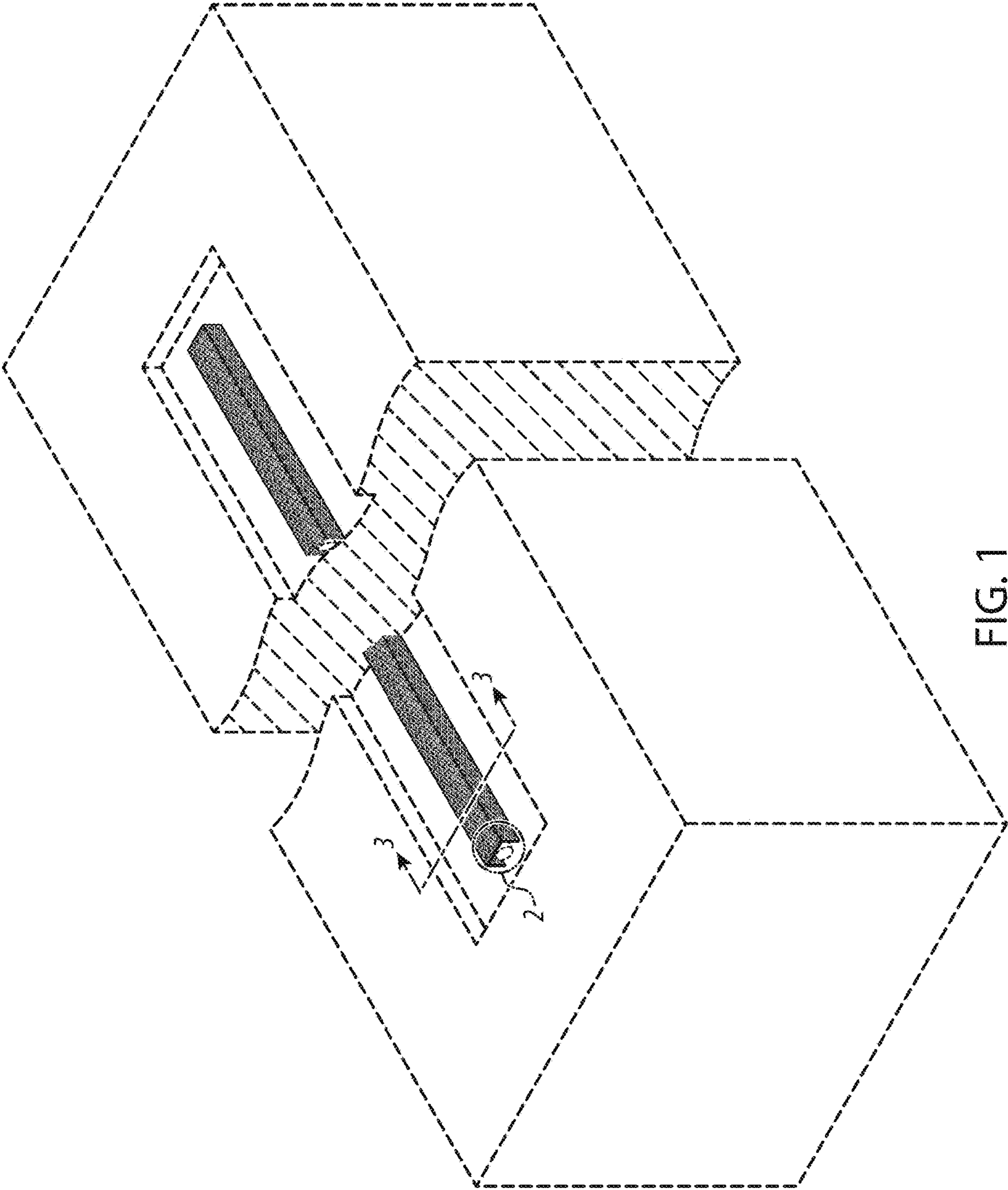


FIG. 1

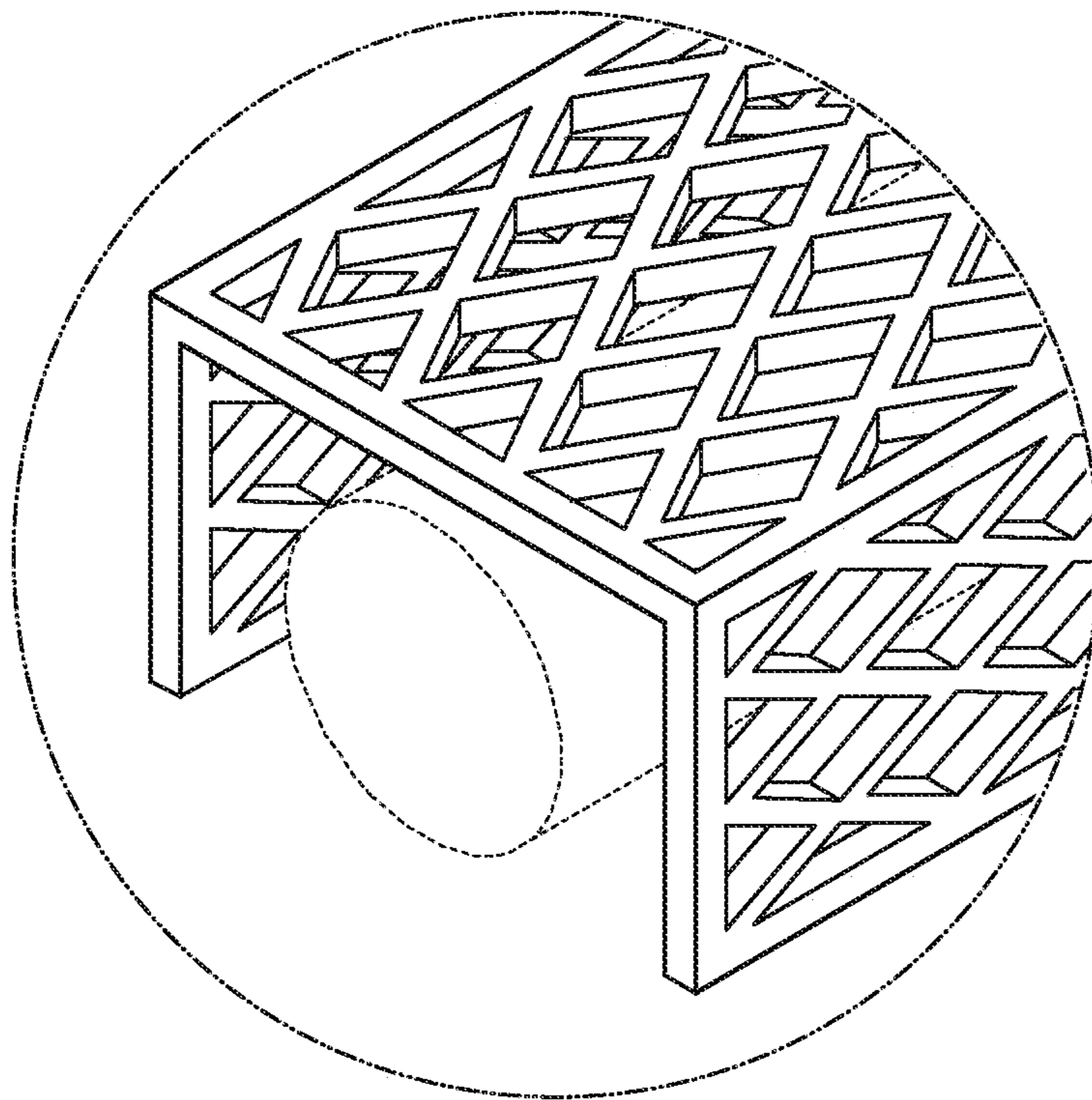


FIG. 2

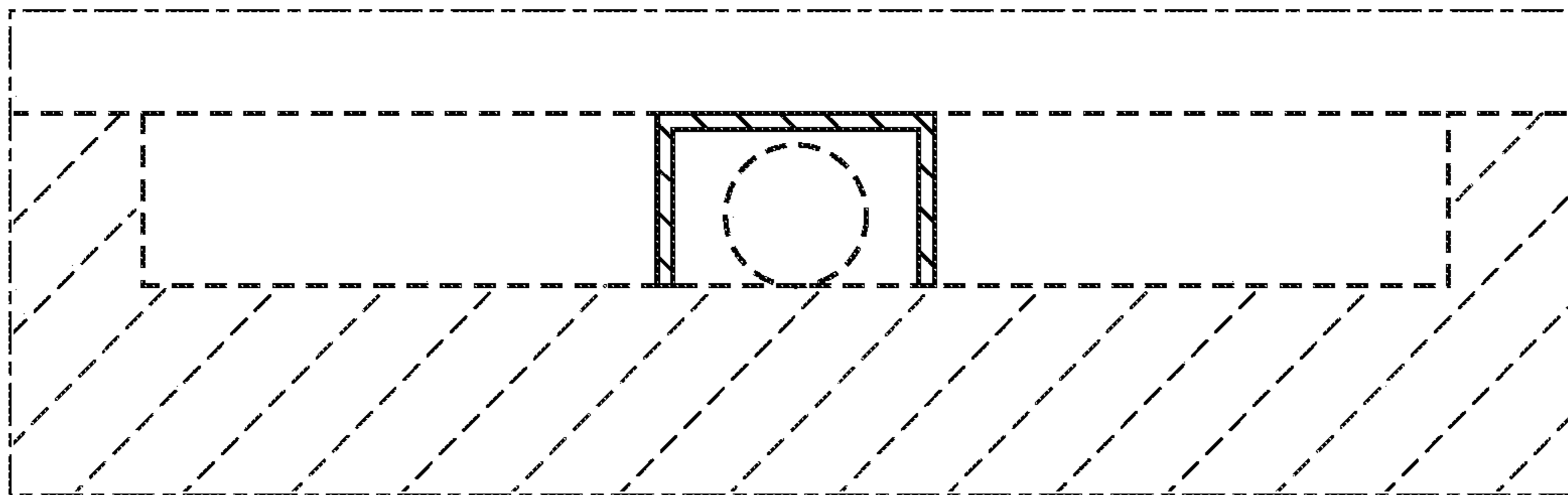


FIG. 3

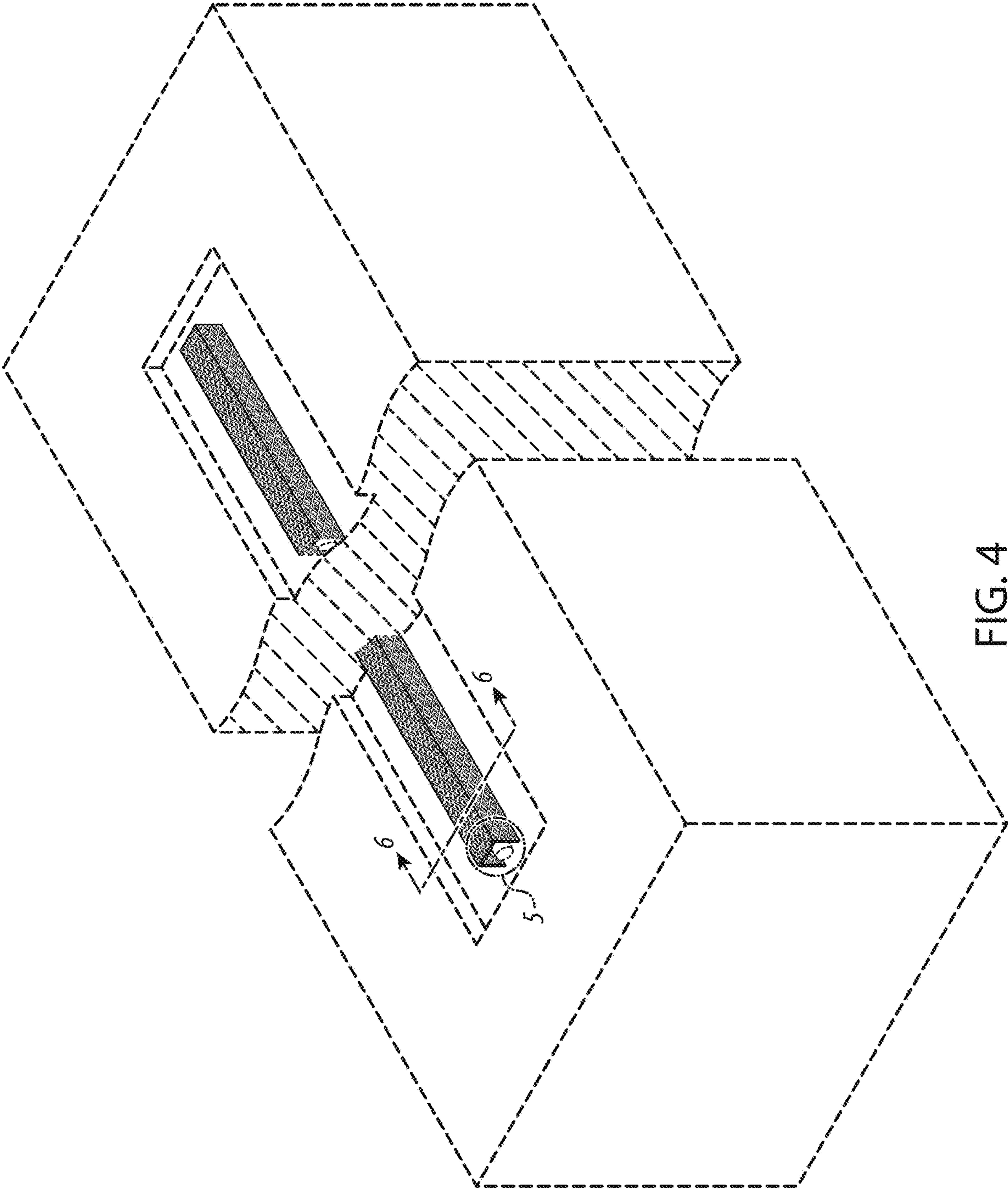


FIG. 4

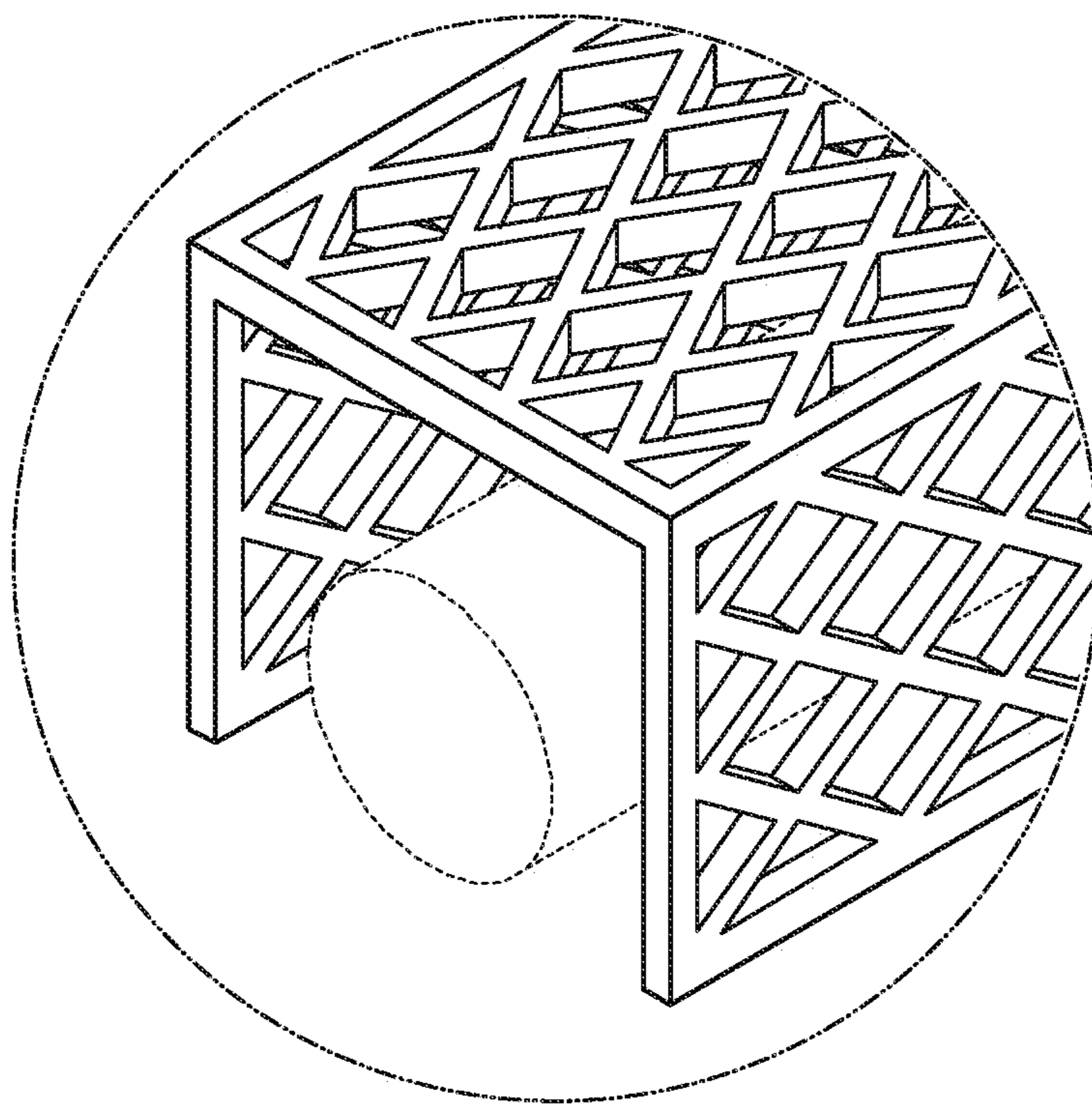


FIG. 5

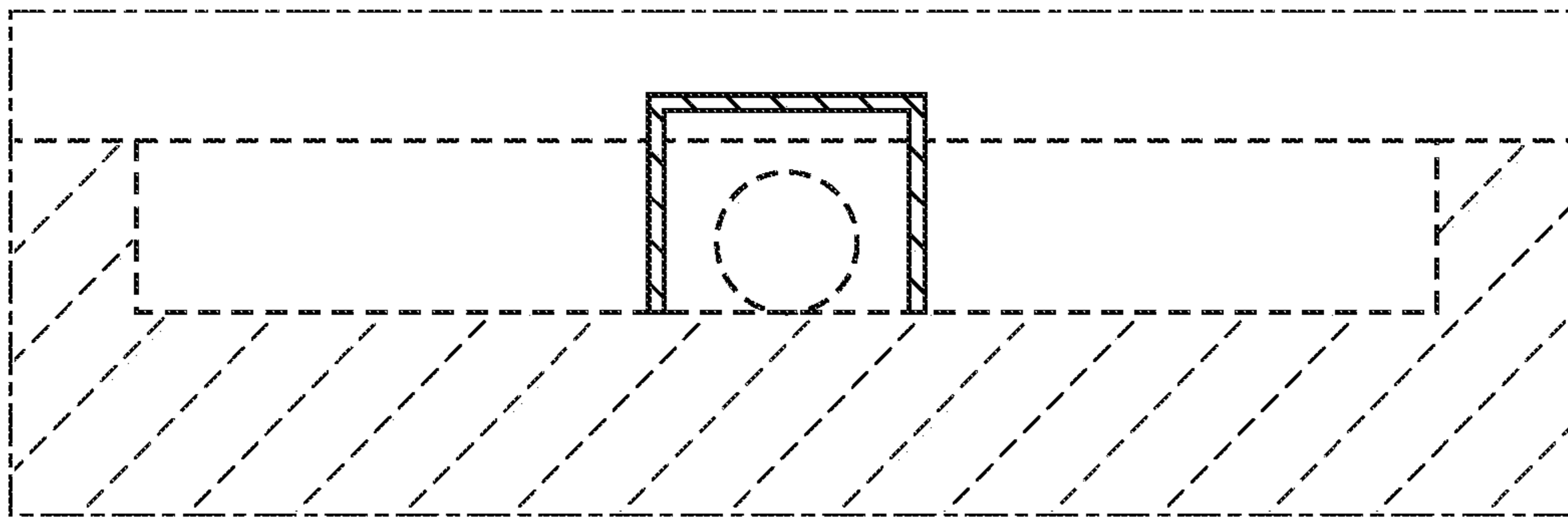


FIG. 6