



US00D923163S

(12) **United States Design Patent**
Jan

(10) **Patent No.:** **US D923,163 S**
(45) **Date of Patent:** **** Jun. 22, 2021**

- (54) **FIRE PIT**
- (71) Applicant: **Frontline Advance LLC**, Fort Worth, TX (US)
- (72) Inventor: **Jeffrey Jan**, Fort Worth, TX (US)
- (73) Assignee: **FRONTLINE ADVANCE LLC**, Fort Worth, TX (US)
- (**) Term: **15 Years**
- (21) Appl. No.: **29/592,802**
- (22) Filed: **Feb. 2, 2017**
- (51) **LOC (13) Cl.** **23-03**
- (52) **U.S. Cl.**
USPC **D23/343; D23/332**
- (58) **Field of Classification Search**
USPC D23/332, 314, 343, 348, 350, 346;
D7/332-337, 402-405, 352
CPC F24C 1/16; F24C 5/00; F24C 3/14; A47J 33/00; A47J 37/0763; A47J 37/07; F24B 1/18; F24B 1/182; F24B 1/808; F24B 1/181; F24B 1/195; F24B 1/191
See application file for complete search history.

- 2,722,883 A * 11/1955 Rignell A47J 37/0704
99/447
- 2,738,225 A * 3/1956 Meek A61L 9/12
239/55
- D229,013 S * 11/1973 Storandt D7/332
- 3,790,081 A * 2/1974 Thornton A01M 1/2055
239/55
- D258,259 S * 2/1981 Lindholm D7/332
- D273,264 S * 4/1984 Elliston D7/332
- 4,903,683 A * 2/1990 Larsen A47J 37/0713
126/25 B
- D358,204 S * 5/1995 Ferrier D23/314
- D379,900 S * 6/1997 Gillam D7/332
- 5,651,356 A * 7/1997 Kaines A47J 27/026
126/204
- 5,797,386 A * 8/1998 Orr A47J 37/0704
126/25 A
- D442,422 S * 5/2001 Dabney D11/152
- 6,314,955 B1 * 11/2001 Boetcker A47J 36/2477
126/25 R
- 6,488,023 B2 * 12/2002 Pecoskie F24C 5/02
126/43
- D607,265 S * 1/2010 Gaunard, III D7/354

(Continued)

Primary Examiner — Ania Aman
(74) *Attorney, Agent, or Firm* — Haynes & Boone, LLP

(57) **CLAIM**

The ornamental design for a fire pit, as shown and described.

DESCRIPTION

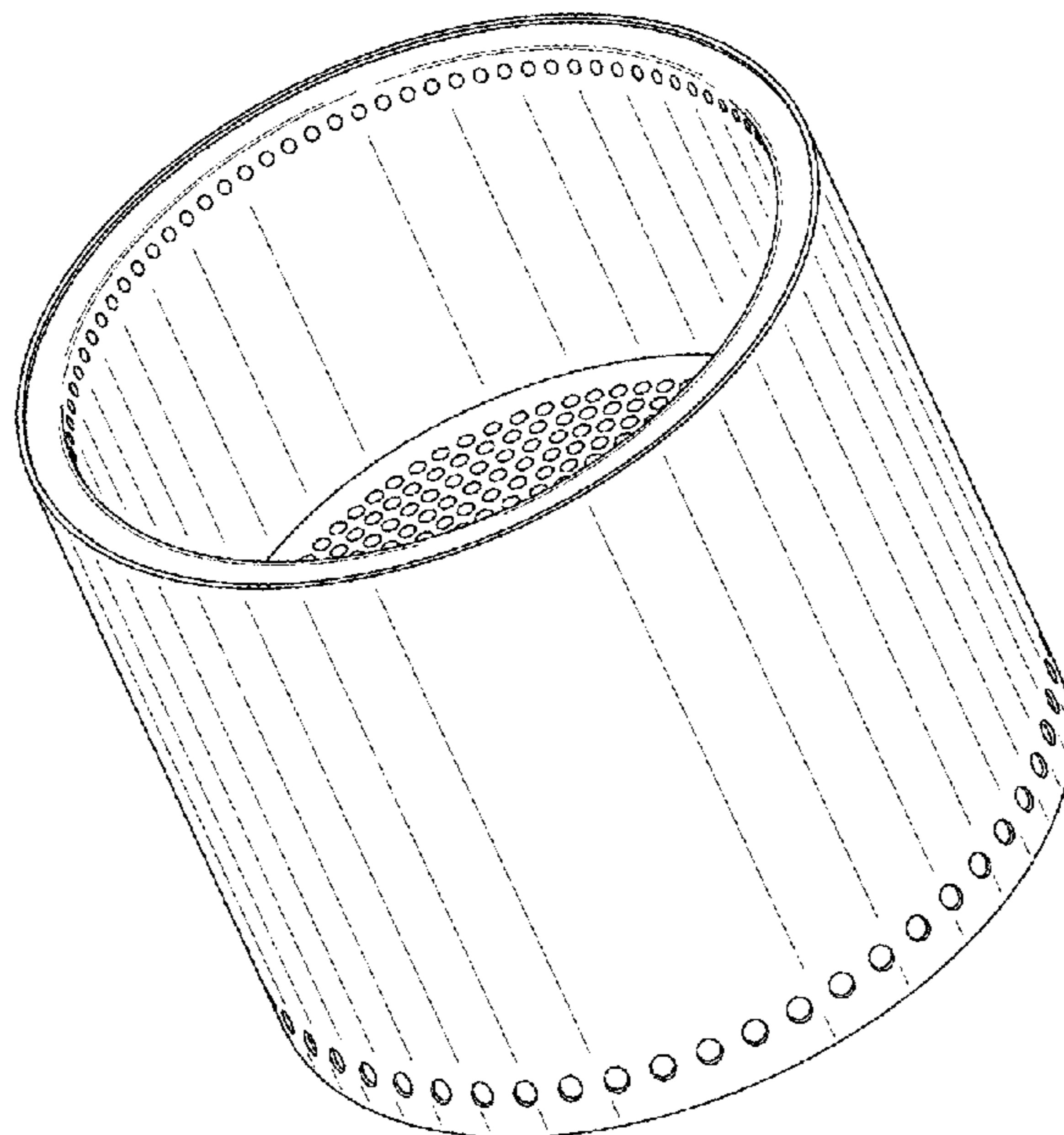
FIG. 1 is a top perspective view of a fire pit showing my new design;
FIG. 2 is a bottom perspective view thereof;
FIG. 3 is a front view thereof;
FIG. 4 is a back view thereof;
FIG. 5 is a side view thereof;
FIG. 6 is a side view thereof;
FIG. 7 is a top view thereof; and,
FIG. 8 is a bottom view thereof.

1 Claim, 4 Drawing Sheets

(56) **References Cited**

U.S. PATENT DOCUMENTS

- 685,194 A * 10/1901 Young F24B 7/045
126/66
- 904,188 A * 11/1908 Engle F24C 3/002
126/85 R
- 1,298,762 A * 4/1919 Milligan A47J 33/00
126/25 R
- D54,930 S * 4/1920 Knapp D23/336
- D74,996 S * 4/1928 Wolcott D23/336
- 1,694,175 A * 12/1928 Hause F24H 3/002
126/90 A



(56)

References Cited

U.S. PATENT DOCUMENTS

8,087,410	B2 *	1/2012	Gregory	F24C 1/16 126/275 E
D658,426	S *	5/2012	Saunders	D7/359
D701,721	S *	4/2014	Jan	D7/332
10,098,502	B2 *	10/2018	Ohler	A47J 37/079
10,222,092	B1 *	3/2019	Traeger	F24H 3/008
D858,729	S *	9/2019	Scott	D23/348
2014/0026765	A1 *	1/2014	Fou	A23B 4/0523 99/445
2014/0238378	A1 *	8/2014	Scott	F24B 1/181 126/55

* cited by examiner

FIG. 1

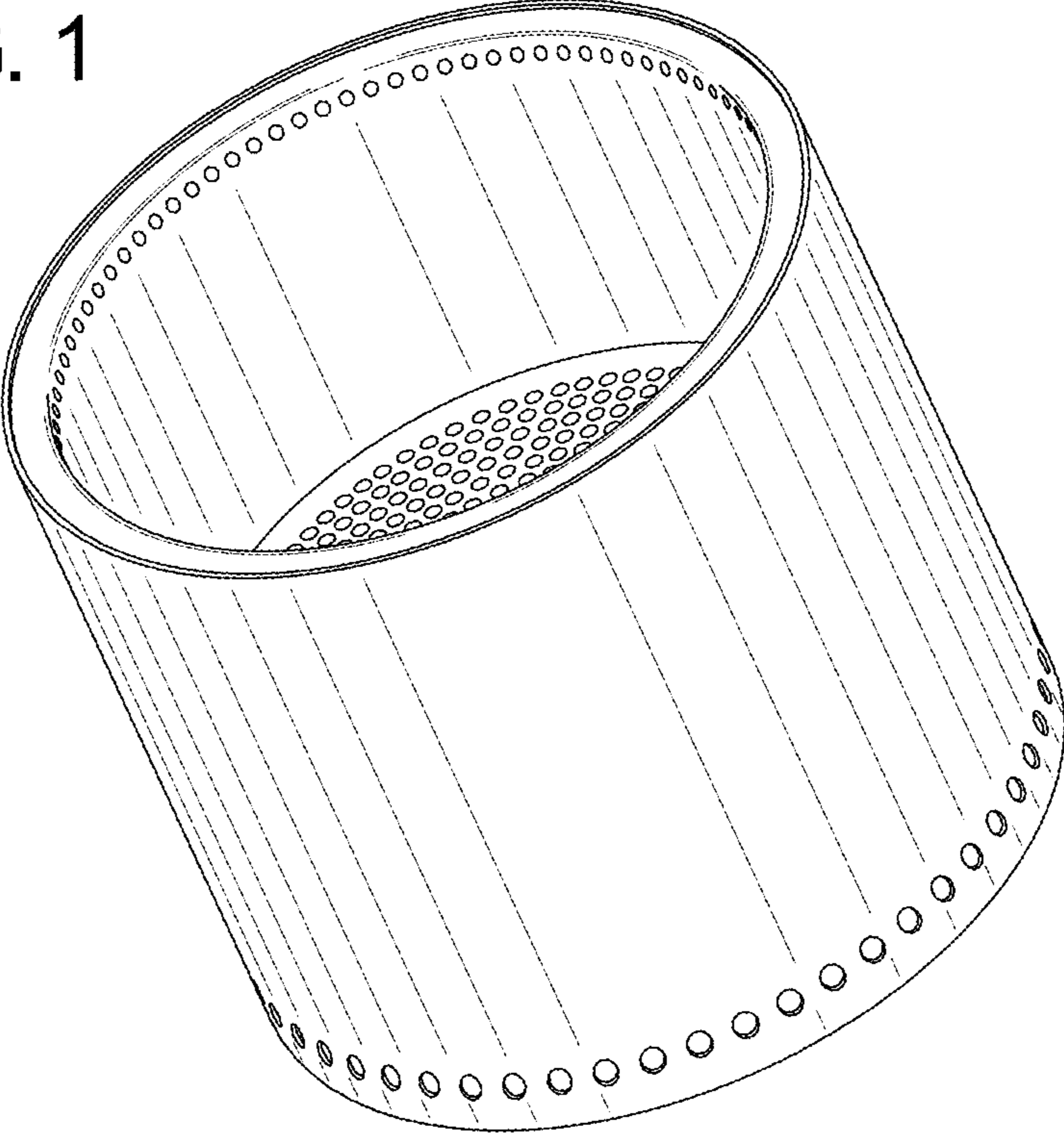


FIG. 2

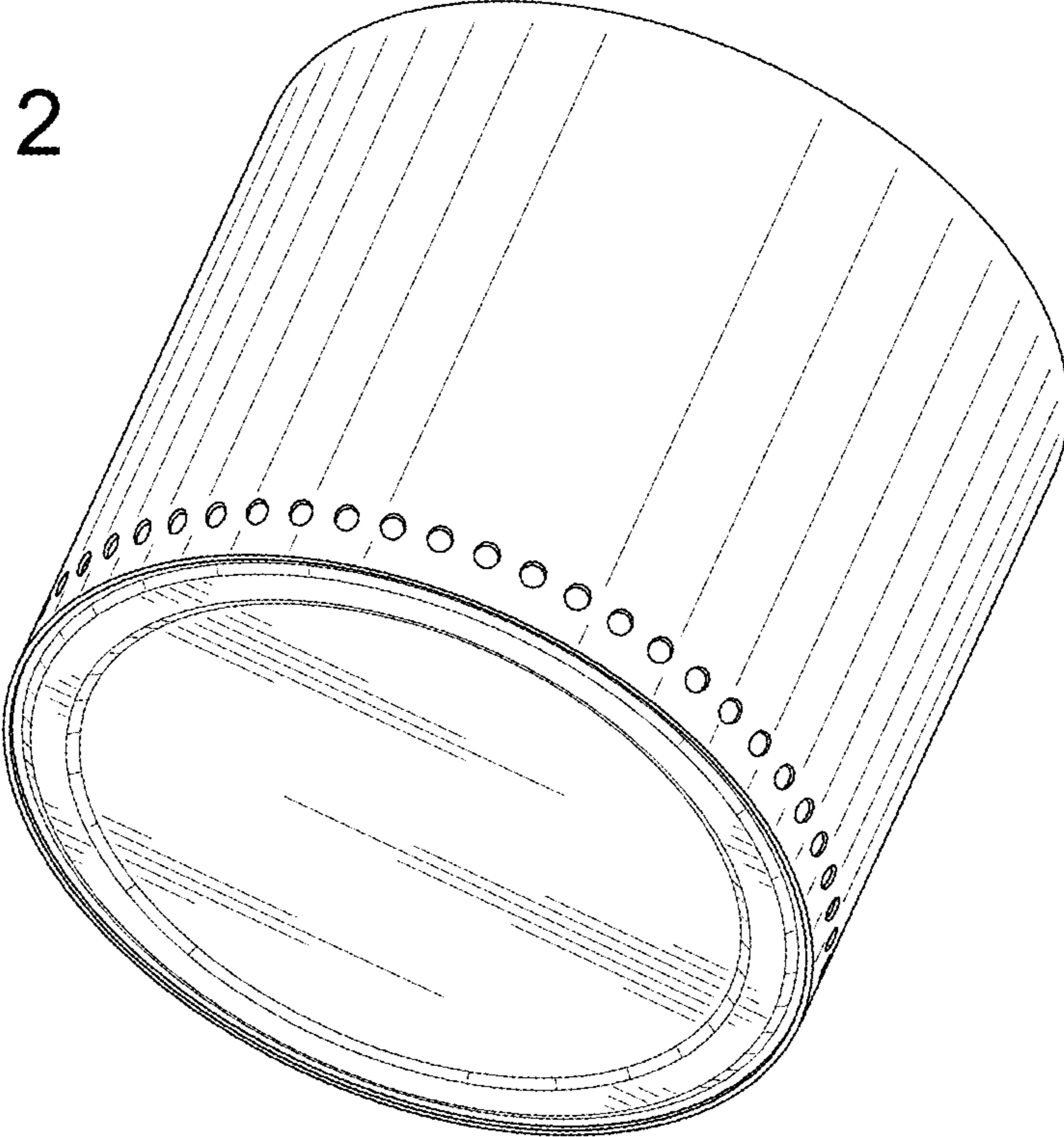


FIG. 3

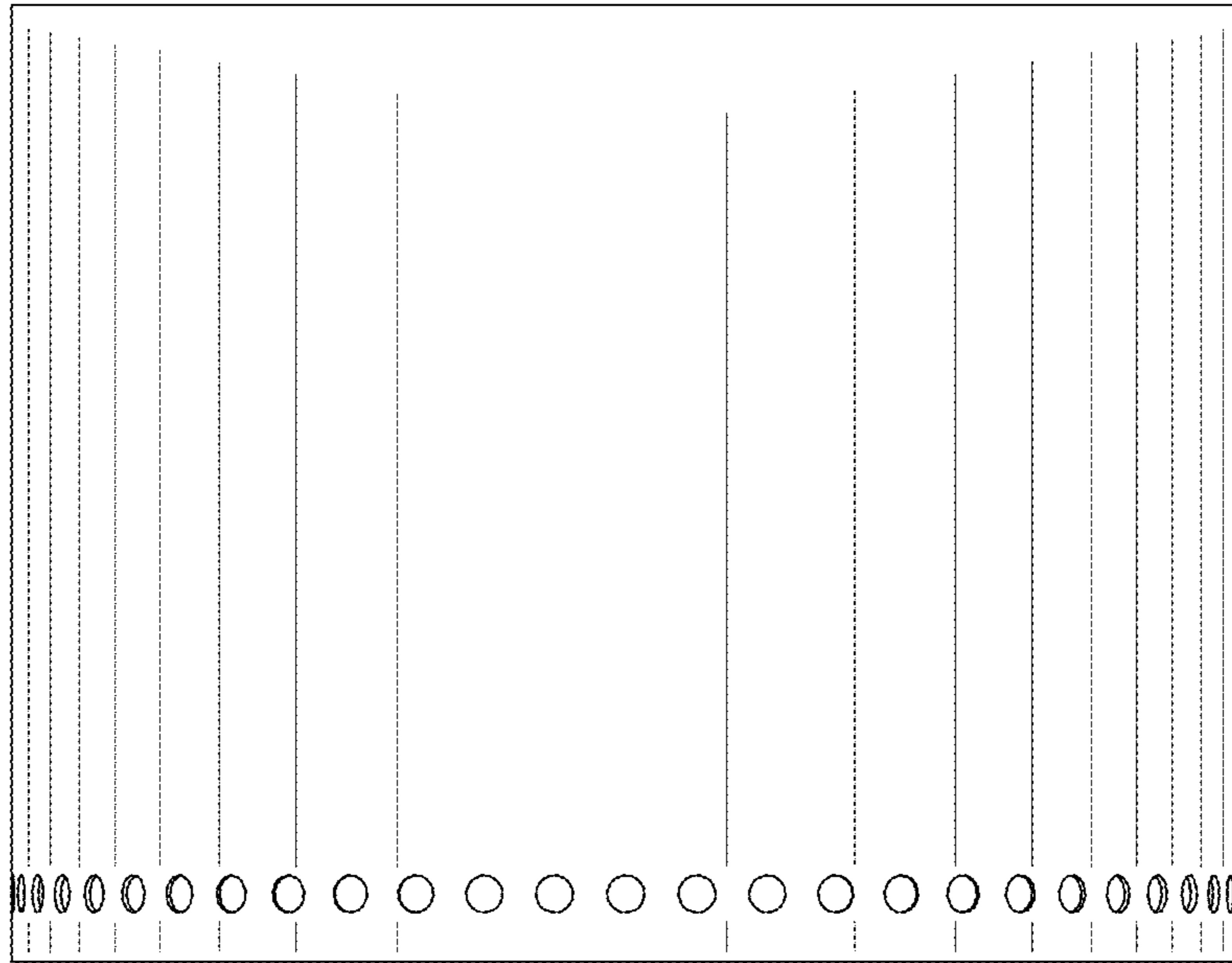


FIG. 4

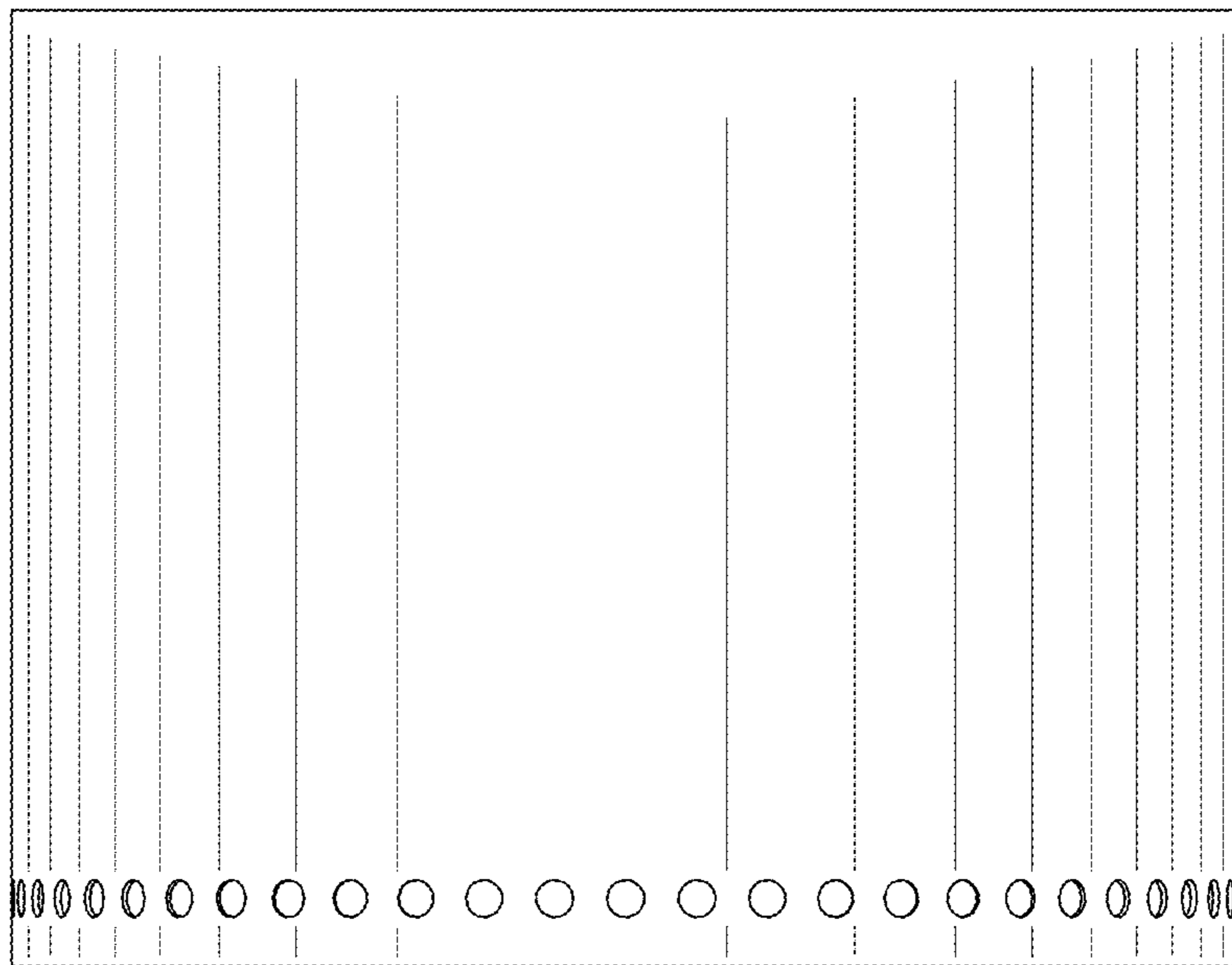


FIG. 5

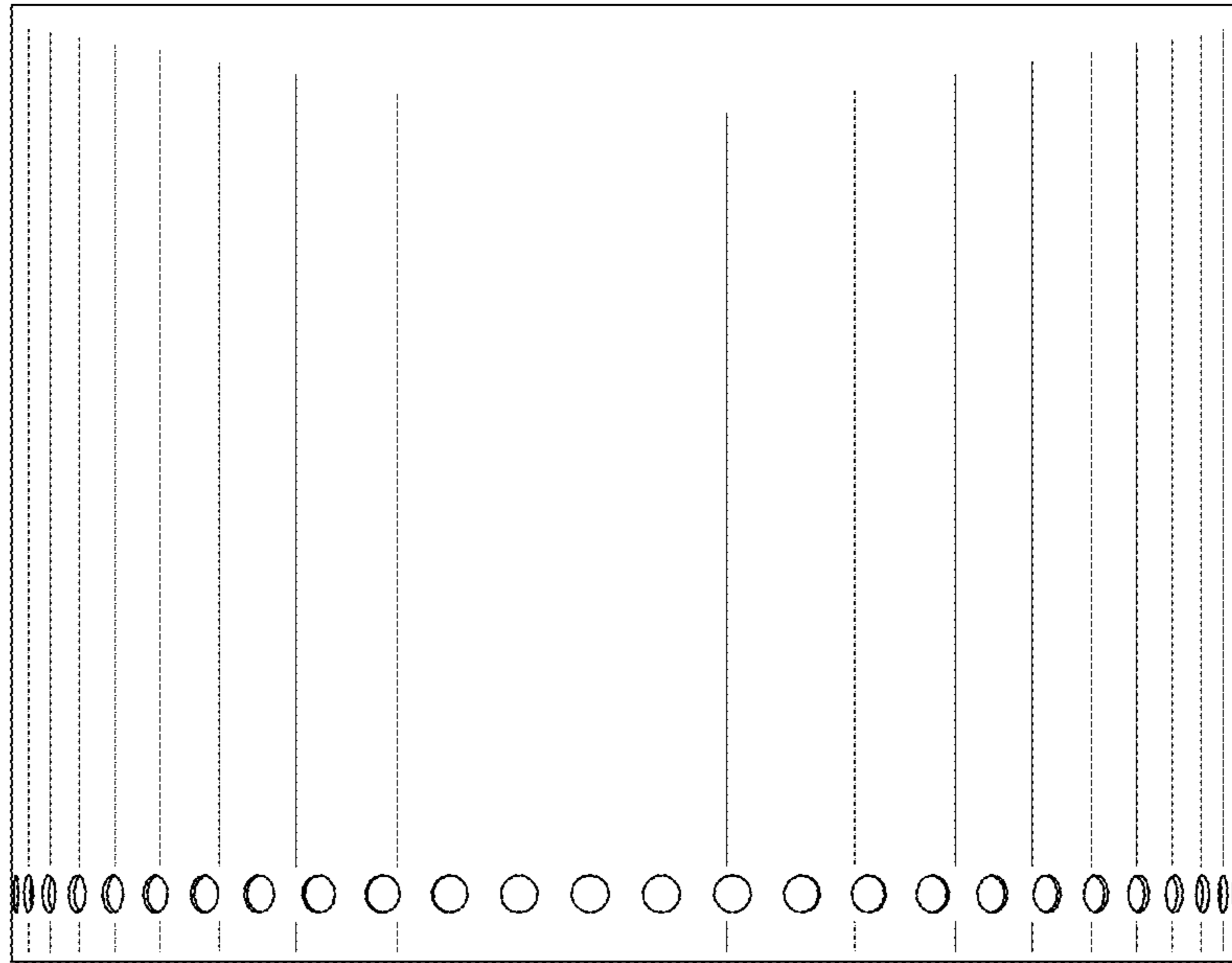


FIG. 6

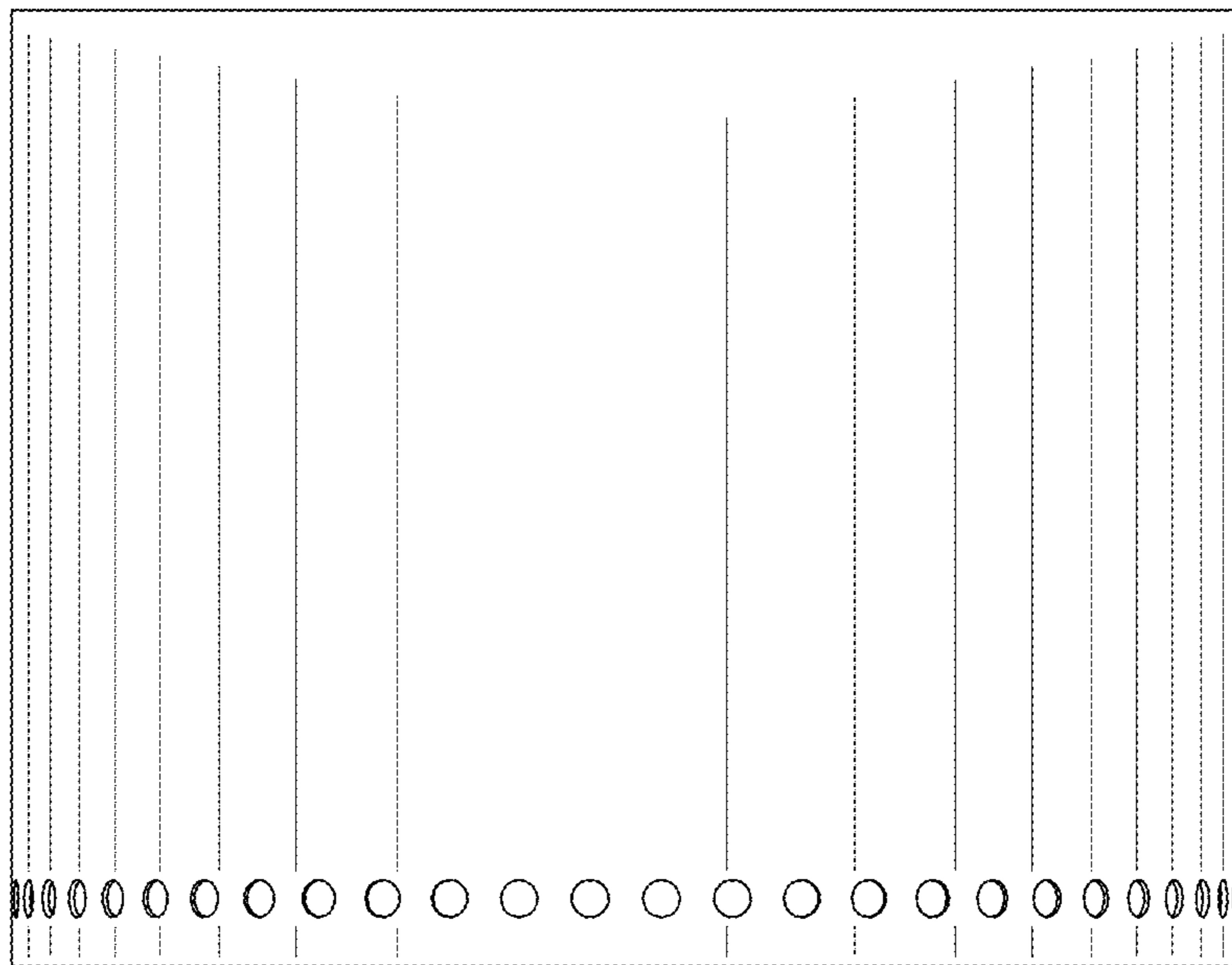


FIG. 7

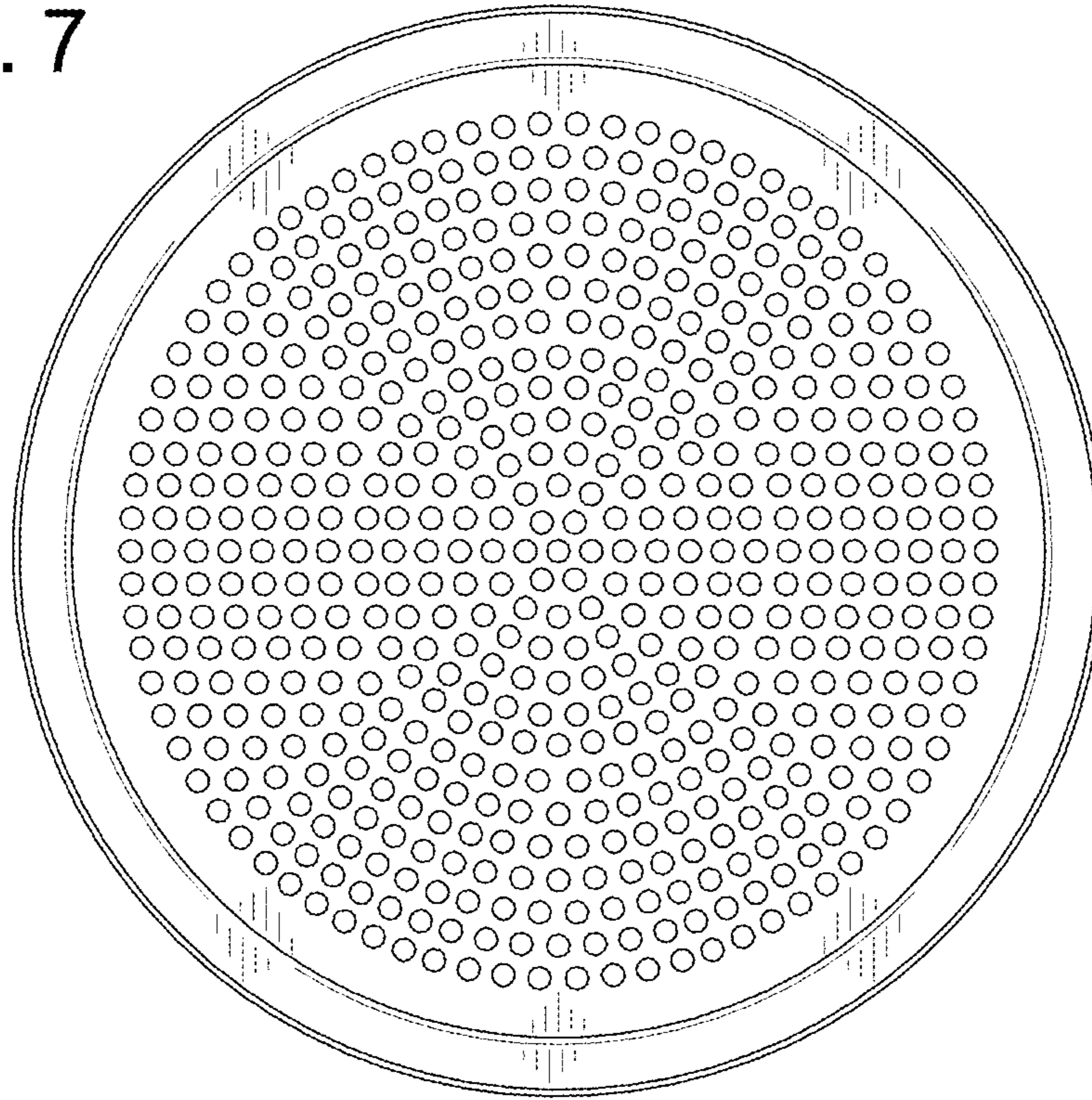


FIG. 8

