



US00D923161S

(12) **United States Design Patent** (10) **Patent No.:** **US D923,161 S**
Lei (45) **Date of Patent:** **** Jun. 22, 2021**

(54) **HEATER**
(71) Applicant: **MIDEA GROUP CO., LTD.**,
Guangdong (CN)
(72) Inventor: **Hanqiang Lei**, Guangdong (CN)
(73) Assignee: **MIDEA GROUP CO., LTD.**, Foshan
(CN)
(**) Term: **15 Years**
(21) Appl. No.: **35/509,379**
(22) Filed: **Dec. 23, 2019**
(80) **Hague Agreement Data**
Int. Filing Date: **Dec. 23, 2019**
Int. Reg. No.: **DM/207950**
Int. Reg. Date: **Dec. 23, 2019**
Int. Reg. Pub. Date: **May 15, 2020**

(30) **Foreign Application Priority Data**
Jul. 19, 2019 (CN) 201930388090.X
(51) **LOC (13) Cl.** **23-03**
(52) **U.S. Cl.**
USPC **D23/330**
(58) **Field of Classification Search**
USPC D23/330, 333, 335, 341, 342, 351, 353,
D23/354, 355, 356, 359, 364, 365, 370,
D23/385, 386, 388, 393
CPC F24F 1/00; F24F 1/0007; F24F 1/02; F24F
1/08; F24F 1/42; F24F 1/56; F24F 1/60;
F24F 3/044; F24F 3/048; F24F 3/16;
F24F 7/00; F24F 7/04; F24F 12/001;
F24F 12/006
See application file for complete search history.

(56) **References Cited**
U.S. PATENT DOCUMENTS
D314,613 S * 2/1991 De'Longhi D23/330
D341,654 S * 11/1993 Wortham D23/330

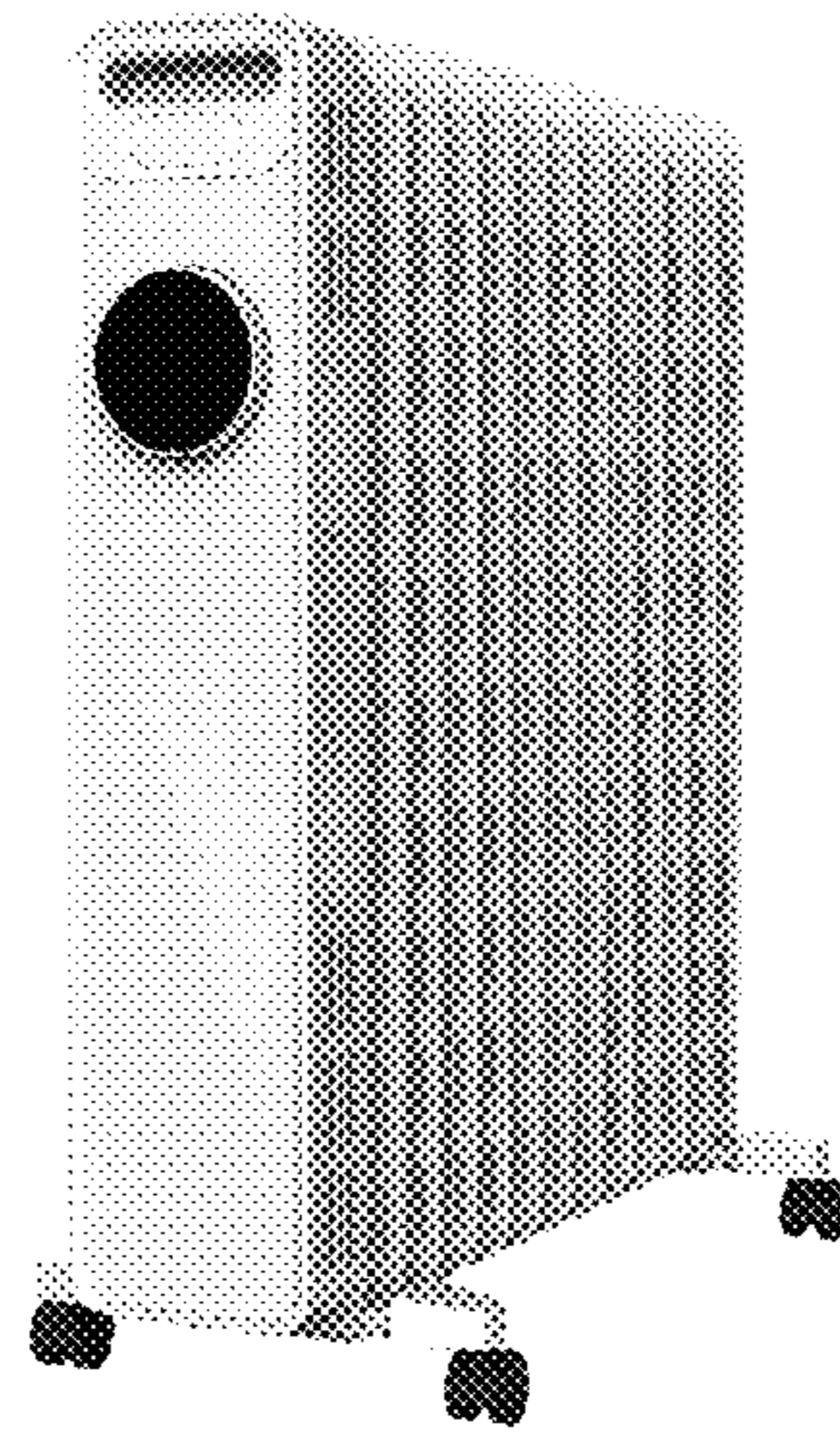
D354,557 S * 1/1995 Cich, Jr. D23/330
D359,344 S * 6/1995 De'Longhi D23/317
D397,193 S * 8/1998 Boyle D23/317
D423,090 S * 4/2000 Barbosa D23/330
D428,644 S * 7/2000 De' Longhi D23/330
D449,675 S * 10/2001 Shih D23/330
D530,412 S * 10/2006 Aydin D23/330
D624,166 S * 9/2010 Zanolin D23/330
D684,245 S * 6/2013 Dong D23/330
D785,149 S * 4/2017 De'Longhi D23/330
D803,998 S * 11/2017 De' Longhi D23/330
D874,624 S * 2/2020 Liu D23/335
D881,363 S * 4/2020 Guo D23/335
D903,074 S * 11/2020 Lei D23/335

* cited by examiner
Primary Examiner — Natasha Vujcic
(74) *Attorney, Agent, or Firm* — Morgan, Lewis &
Bockius LLP

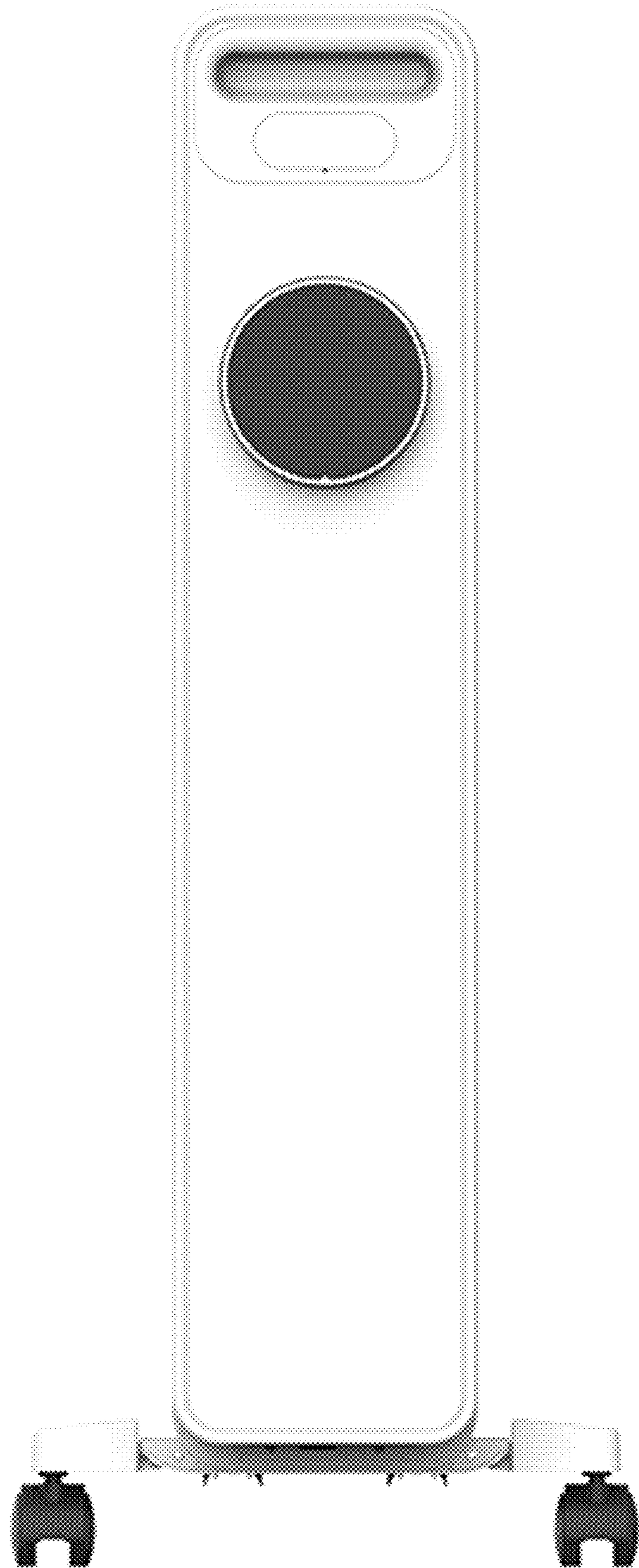
(57) **CLAIM**
The ornamental design for a heater, as shown and described.

DESCRIPTION
1.-2. Heater
1.1 : Front
1.2 : Back
1.3 : Left
1.4 : Right
1.5 : Top
1.6 : Bottom
1.7 : Perspective
2.1 : Front
2.2 : Back
2.3 : Left
2.4 : Right
2.5 : Top
2.6 : Bottom
2.7 : Perspective
No color is claimed in this application.

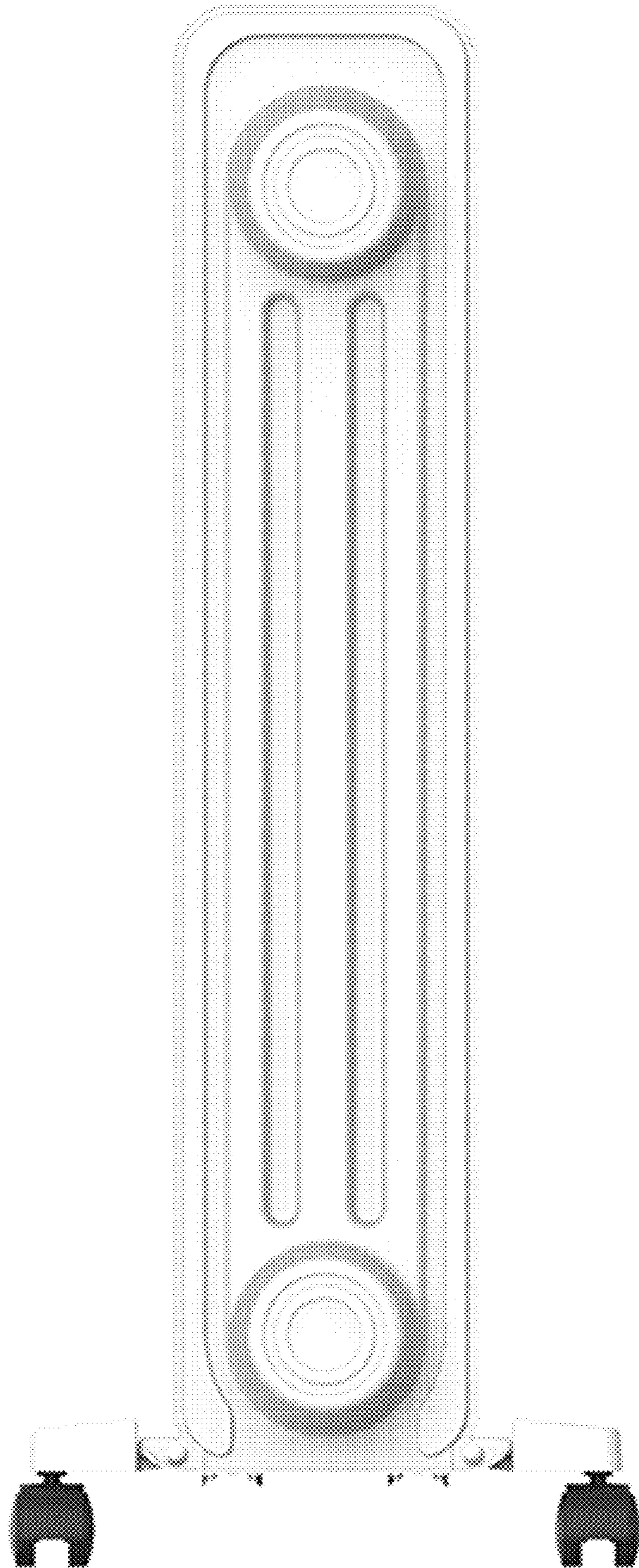
1 Claim, 14 Drawing Sheets



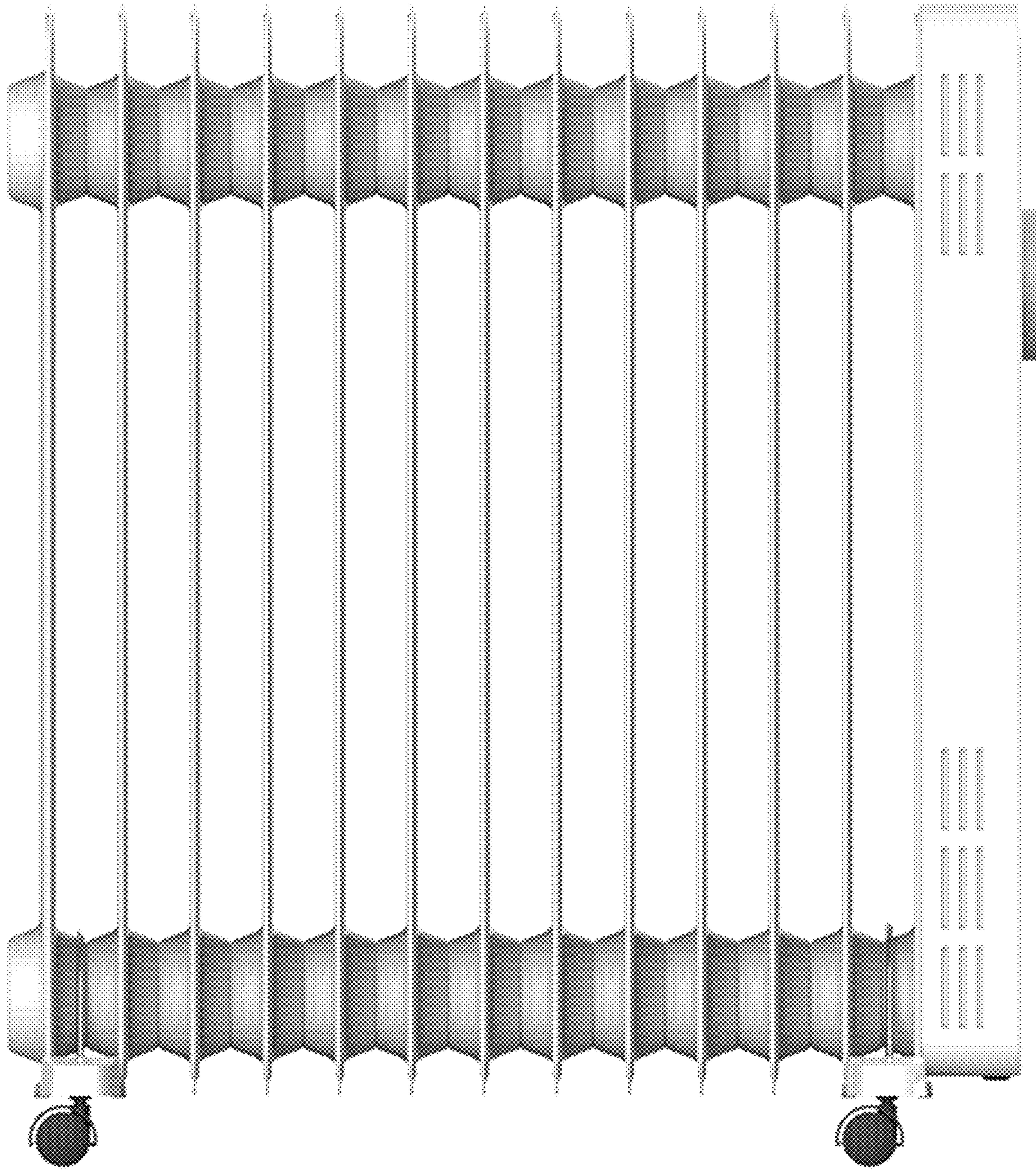
1.1



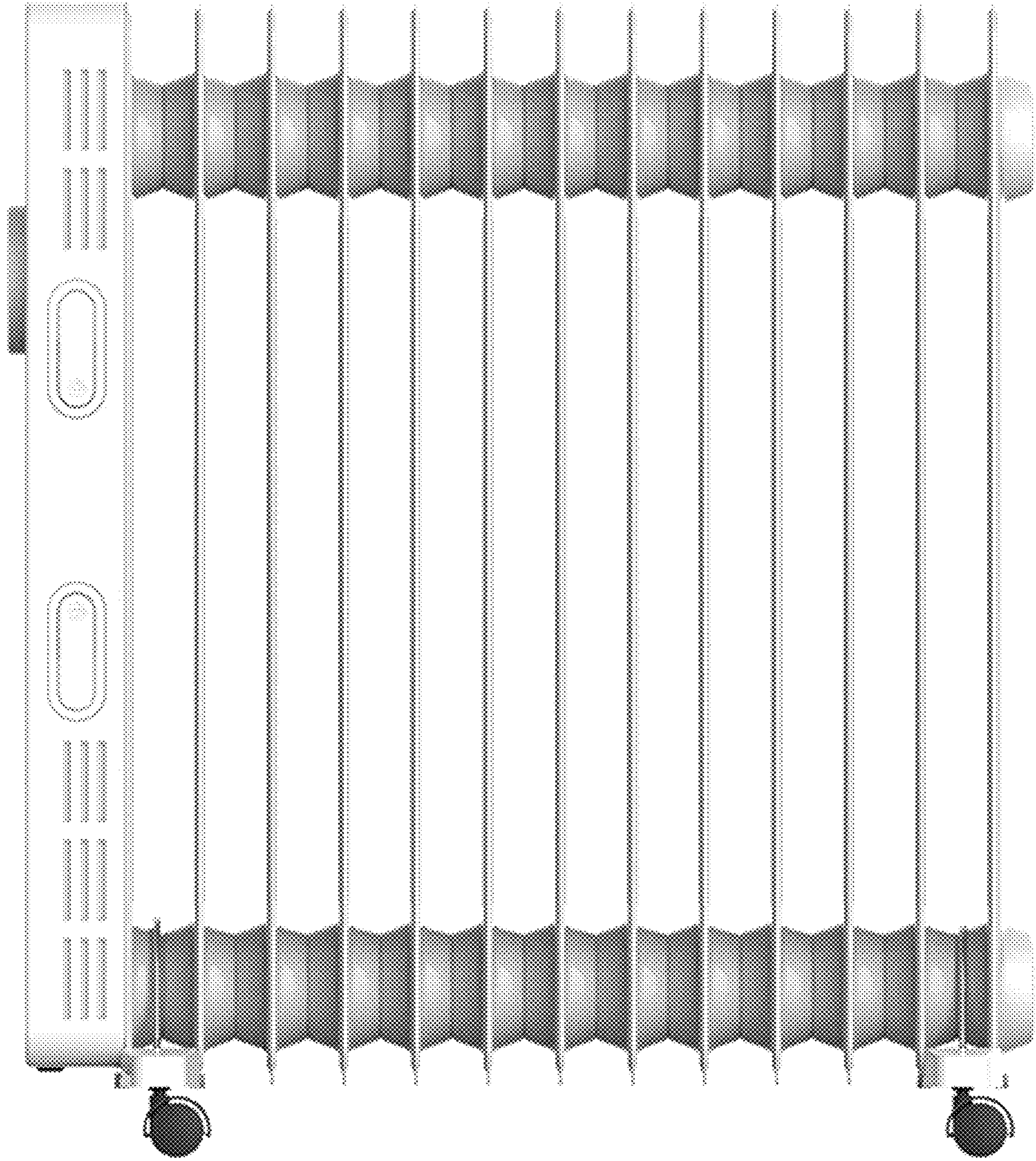
1.2



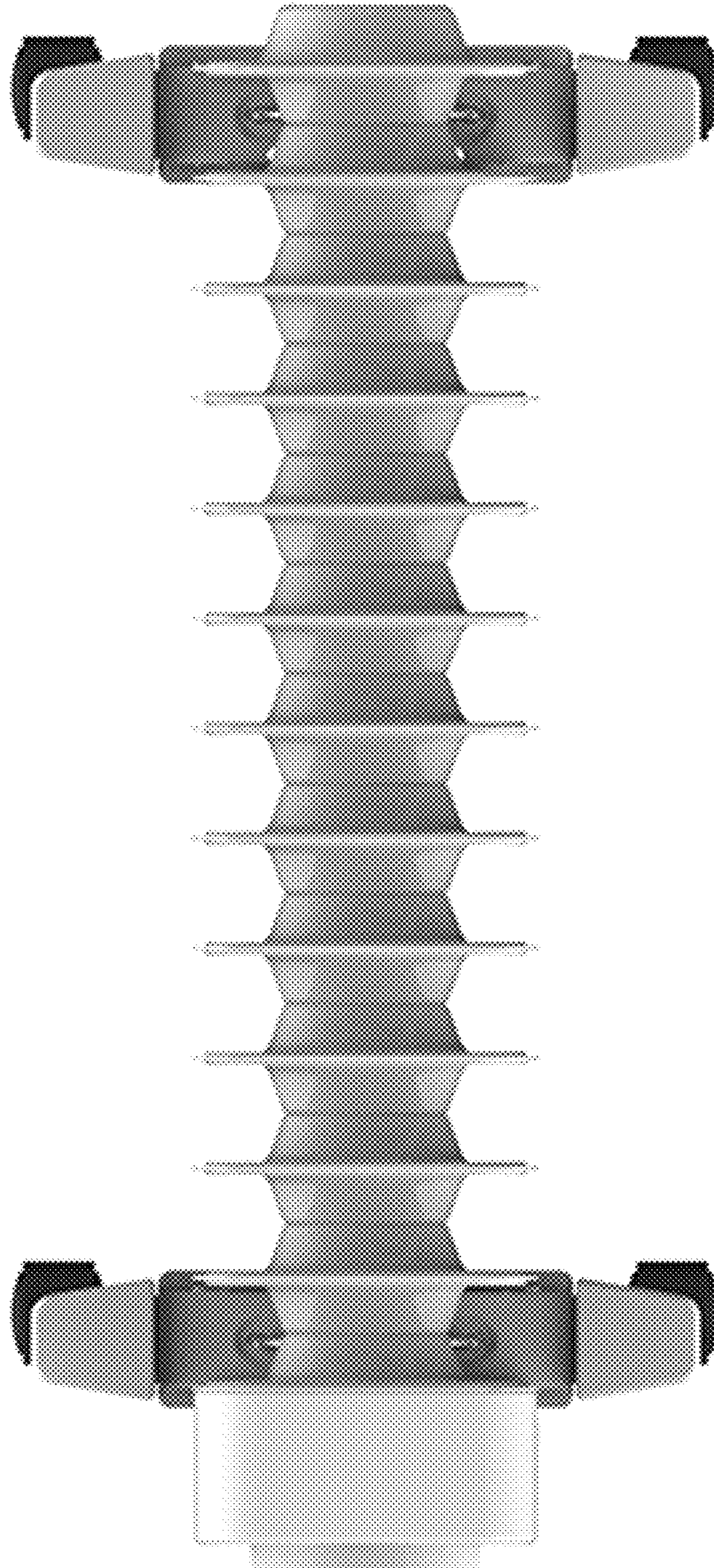
1.3



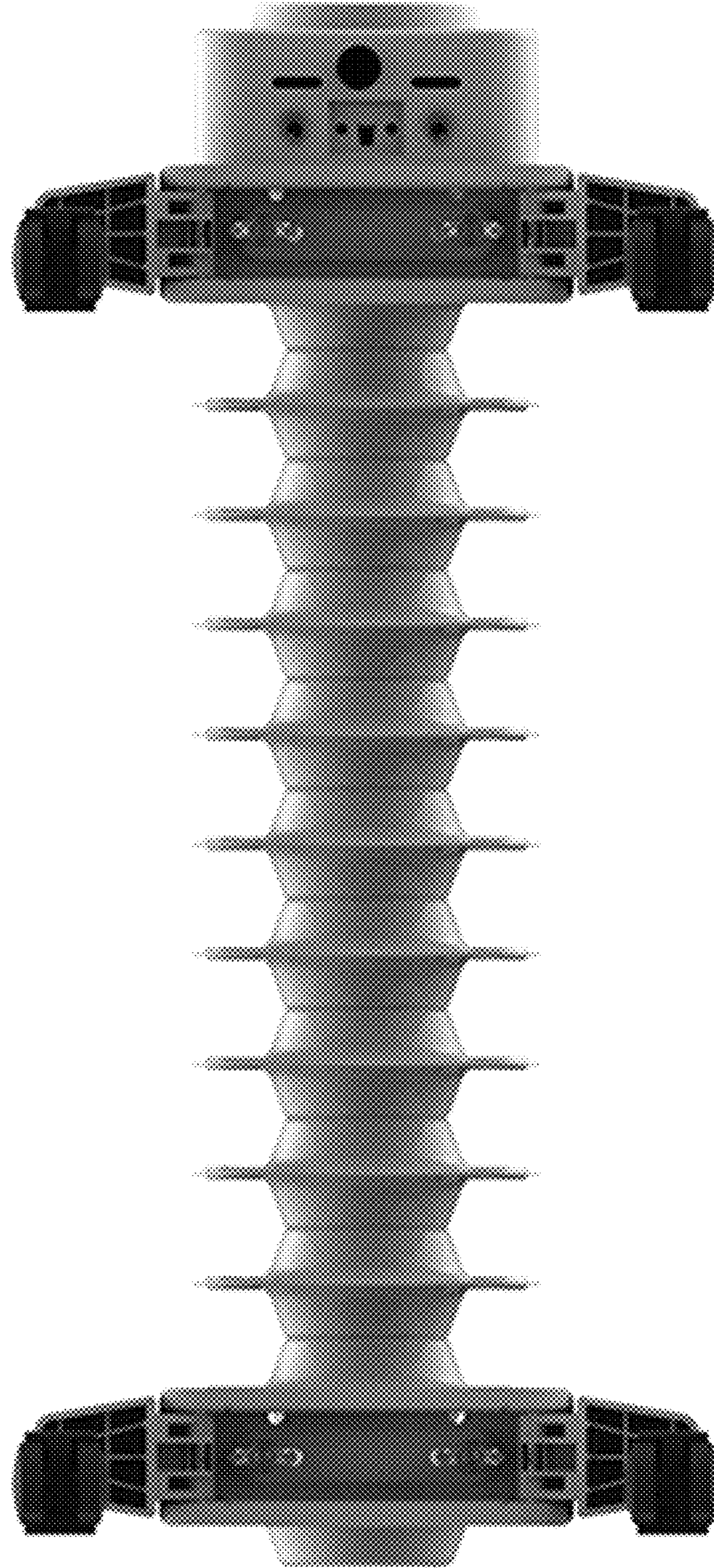
1.4



1.5



1.6



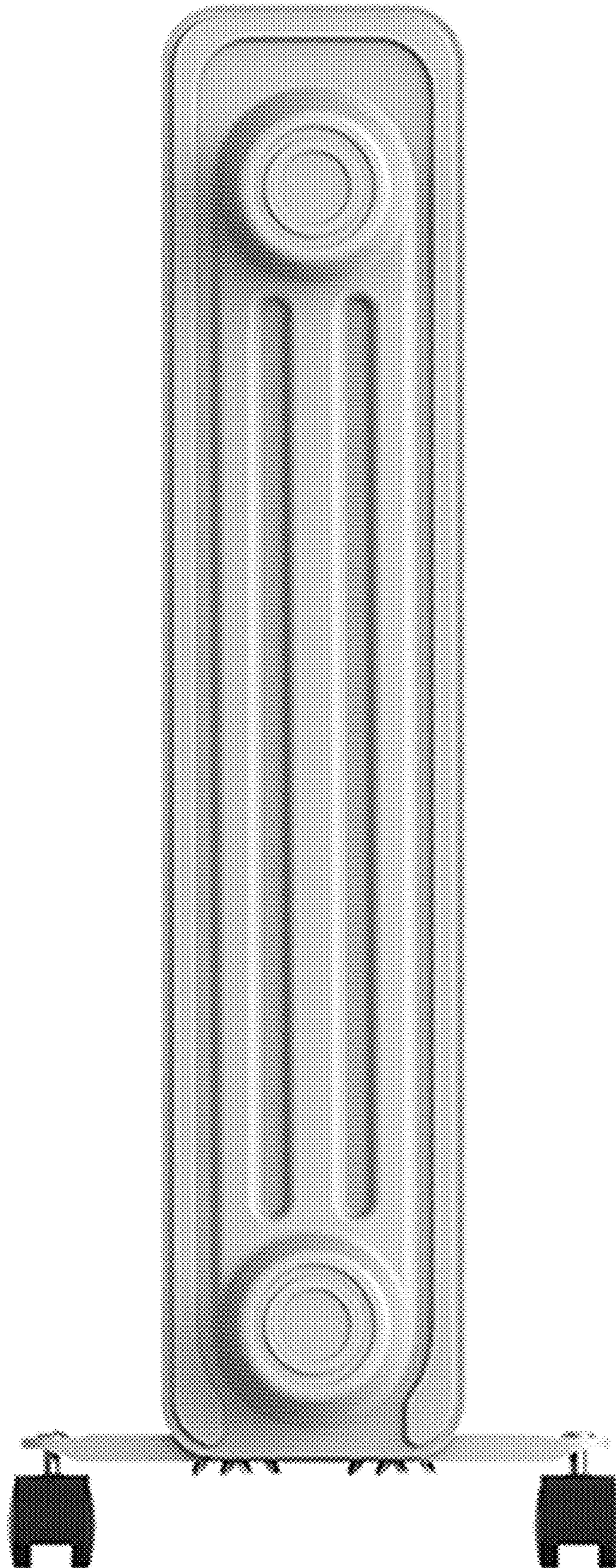
1.7



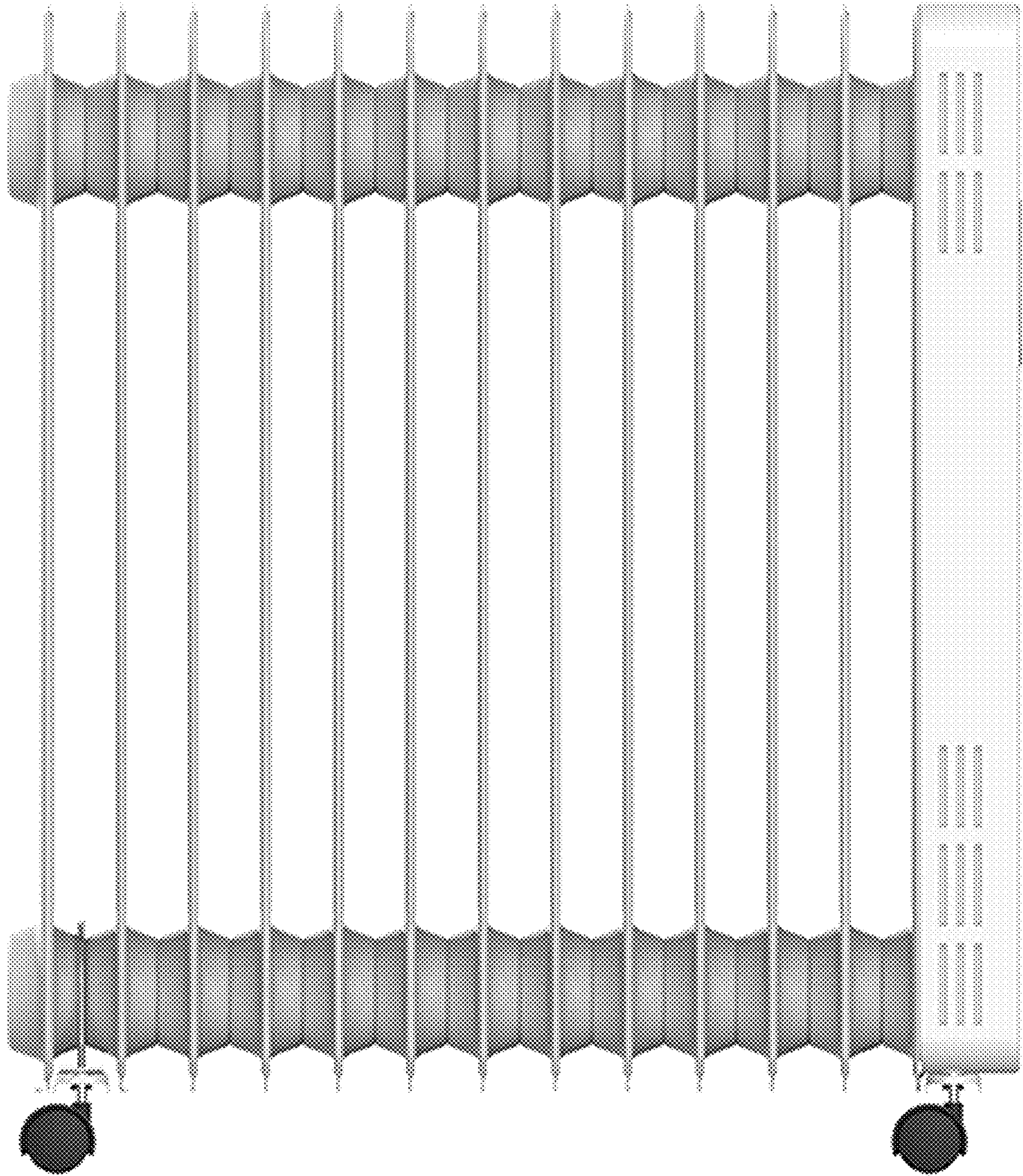
2.1



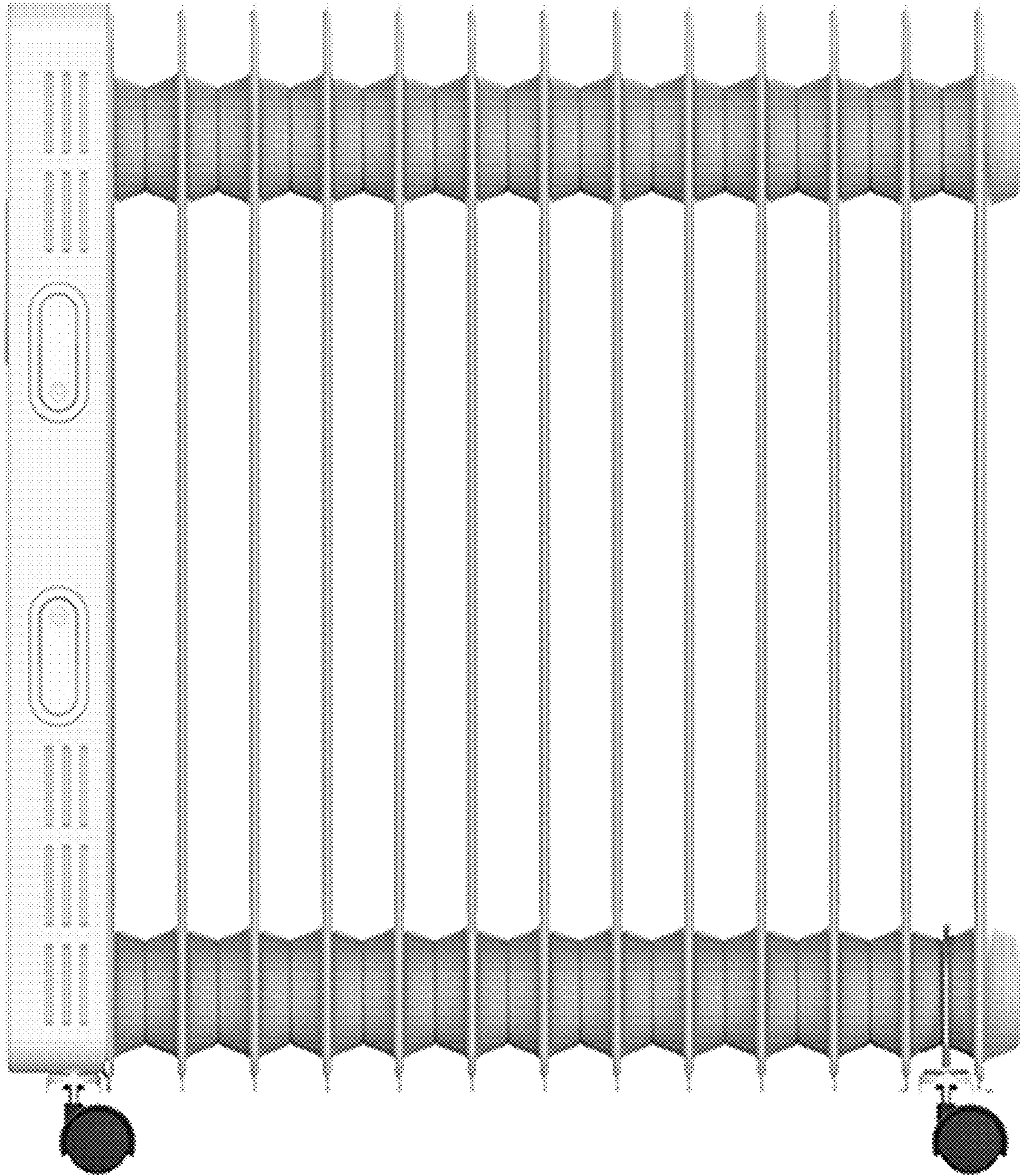
2.2



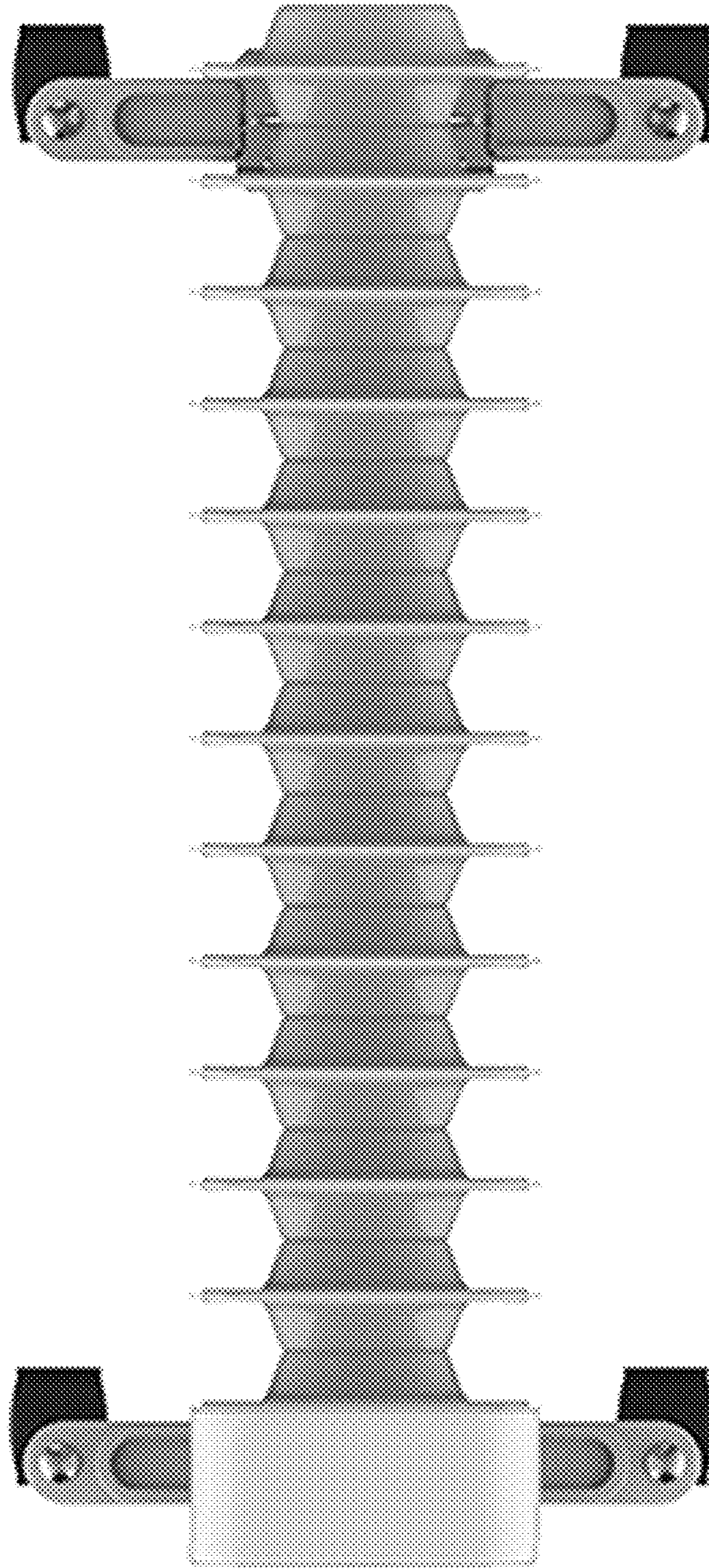
2.3



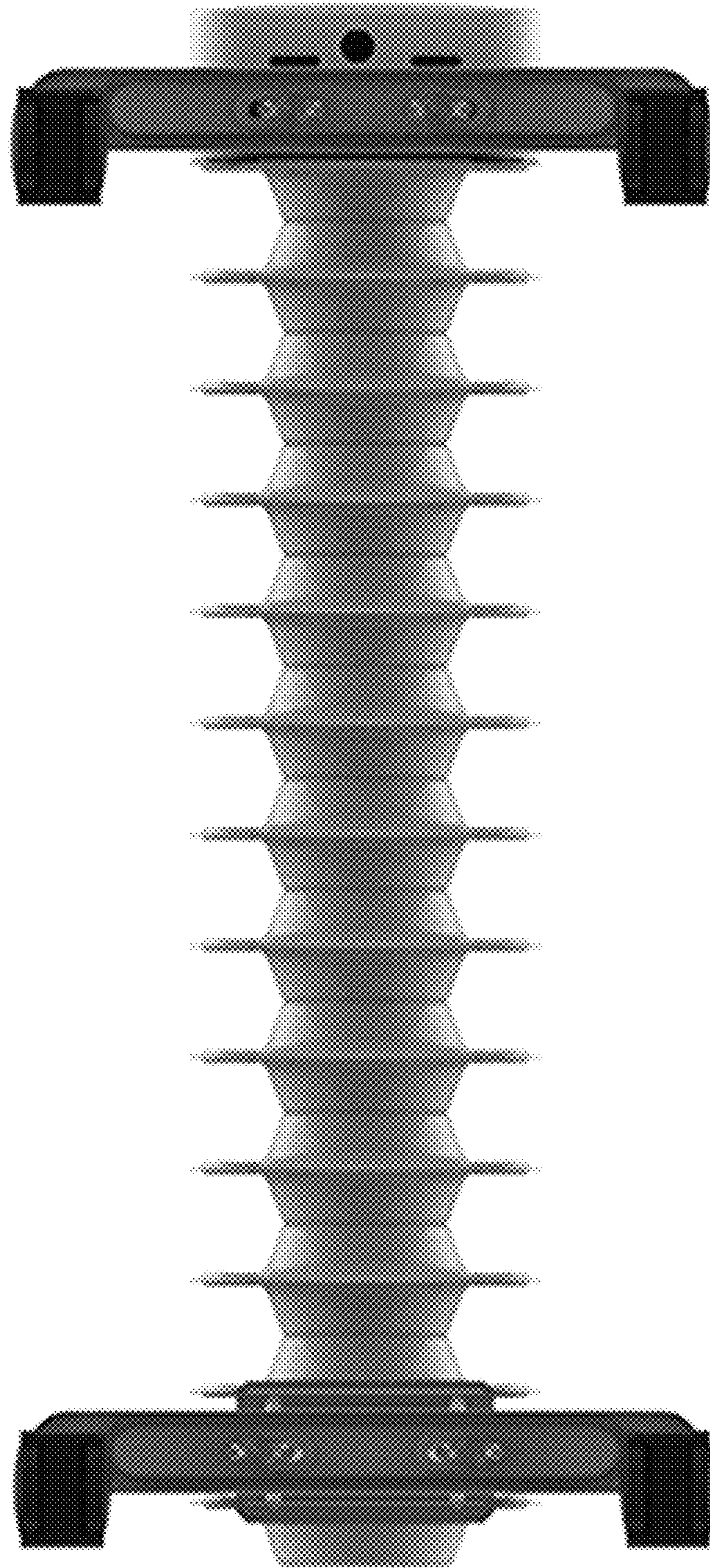
2.4



2.5



2.6



2.7

