



US00D923160S

(12) **United States Design Patent** (10) **Patent No.:** **US D923,160 S**
deLoache, III et al. (45) **Date of Patent:** **** Jun. 22, 2021**

(54) **LIGATURE-RESISTANT SINK BASIN**

(71) Applicant: **Behavioral Safety Products, LLC**,
Athens, GA (US)

(72) Inventors: **Robert Lee deLoache, III**,
Watkinsville, GA (US); **David Cory deLoache**,
Watkinsville, GA (US); **Mark Mendes**,
Loganville, GA (US)

(73) Assignee: **BEHAVIORAL SAFETY PRODUCTS, LLC**,
Athens, GA (US)

(**) Term: **15 Years**

(21) Appl. No.: **29/763,135**

(22) Filed: **Dec. 21, 2020**

Related U.S. Application Data

(63) Continuation of application No. 16/915,382, filed on
Jun. 29, 2020.

(51) **LOC (13) Cl.** **23-02**

(52) **U.S. Cl.**
USPC **D23/284**

(58) **Field of Classification Search**
USPC D23/284, 288, 291, 293.1, 308
See application file for complete search history.

(56) **References Cited**

U.S. PATENT DOCUMENTS

- 2,008,349 A * 7/1935 Crane E03C 1/18
4/637
- D119,300 S * 3/1940 Bales D23/291
- 2,361,604 A 10/1944 Coordes
- 2,583,922 A * 1/1952 Zummach E03C 1/322
4/638
- 3,508,282 A * 4/1970 Phillips, Jr. A47K 1/04
4/628
- D238,075 S 12/1975 Harris

- D273,979 S * 5/1984 Stair, Jr. D23/293.1
- 4,646,370 A 3/1987 Risberg et al.
- D318,522 S 7/1991 Yvetot
- D353,190 S * 12/1994 Short D23/293.1
- 5,561,871 A * 10/1996 Laughton E03C 1/18
4/619
- D435,893 S 1/2001 Helmsderfer
- D587,188 S 2/2009 Mo
- D654,992 S 2/2012 Bucher
- 9,157,223 B2 10/2015 Kempen et al.
- 9,758,953 B2 9/2017 Bayley et al.
- D809,112 S * 1/2018 Boeltl D23/308
- 10,041,236 B2 8/2018 Loberger et al.

(Continued)

FOREIGN PATENT DOCUMENTS

DE 20021317 U1 5/2001

OTHER PUBLICATIONS

BestCare® Ligature-Resistant, ADA Compliant Corterra® Cast
Solid Surface Basin: <https://www.whitehallmfg.com/ligature-resistant-products> (Year: 2020).*

(Continued)

Primary Examiner — Robert A Delehanty
(74) *Attorney, Agent, or Firm* — Mitch Harris, Atty at
Law; Andrew M. Harris

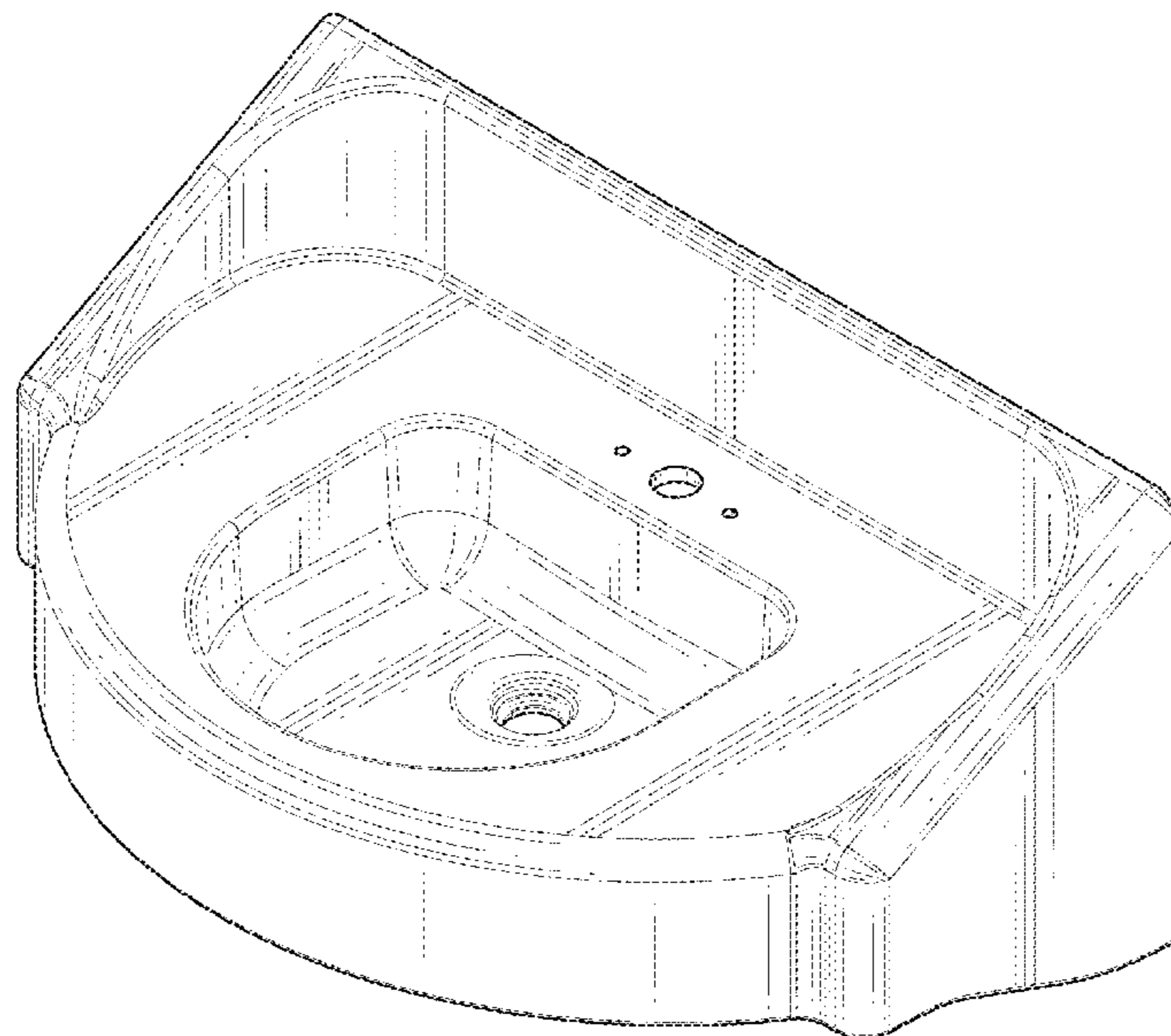
(57) **CLAIM**

The ornamental design for a ligature-resistant sink basin, as
shown and described.

DESCRIPTION

FIG. 1 is a top-right perspective view of the ligature-
resistant sink basin; and,
FIG. 2 is a bottom-left perspective view of the ligature-
resistant sink basin.

1 Claim, 2 Drawing Sheets



(56)

References Cited

U.S. PATENT DOCUMENTS

10,287,759 B2 5/2019 Macey
D864,362 S * 10/2019 Brandli D23/284
2008/0000018 A1 1/2008 Laher
2008/0115266 A1 8/2008 Loberger et al.
2019/0257063 A1 8/2019 Sage-Passant

OTHER PUBLICATIONS

Product Listing “Regency 12×23 Stainless Steel Blender Station with Dump Sink” downloaded from <https://www.webstaurantstore.com/regency-12-x-23-stainless-steel-blender-station-with-dump-sink/6008SDS2312> on Jul. 1, 2020.

* cited by examiner

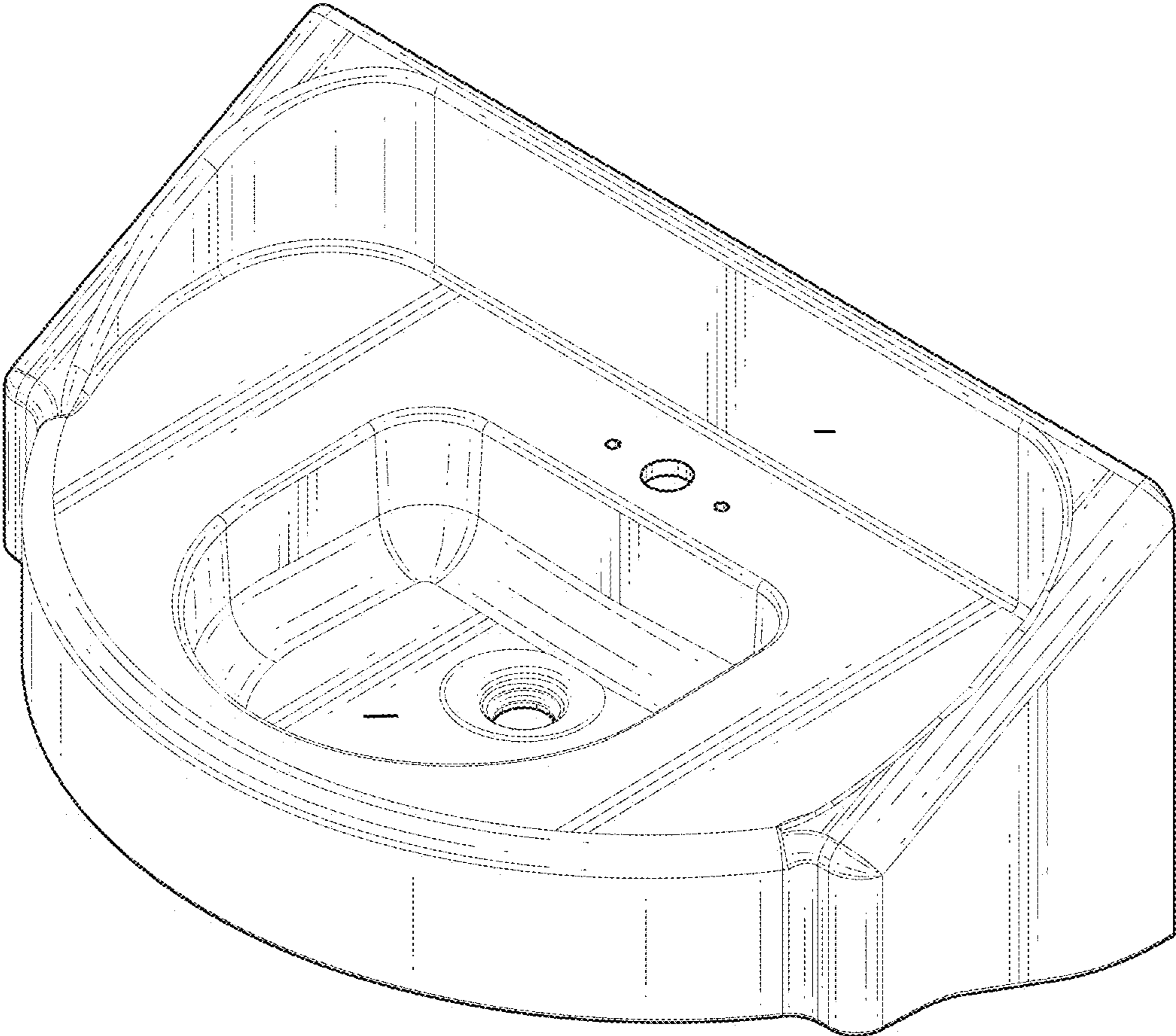


Fig. 1

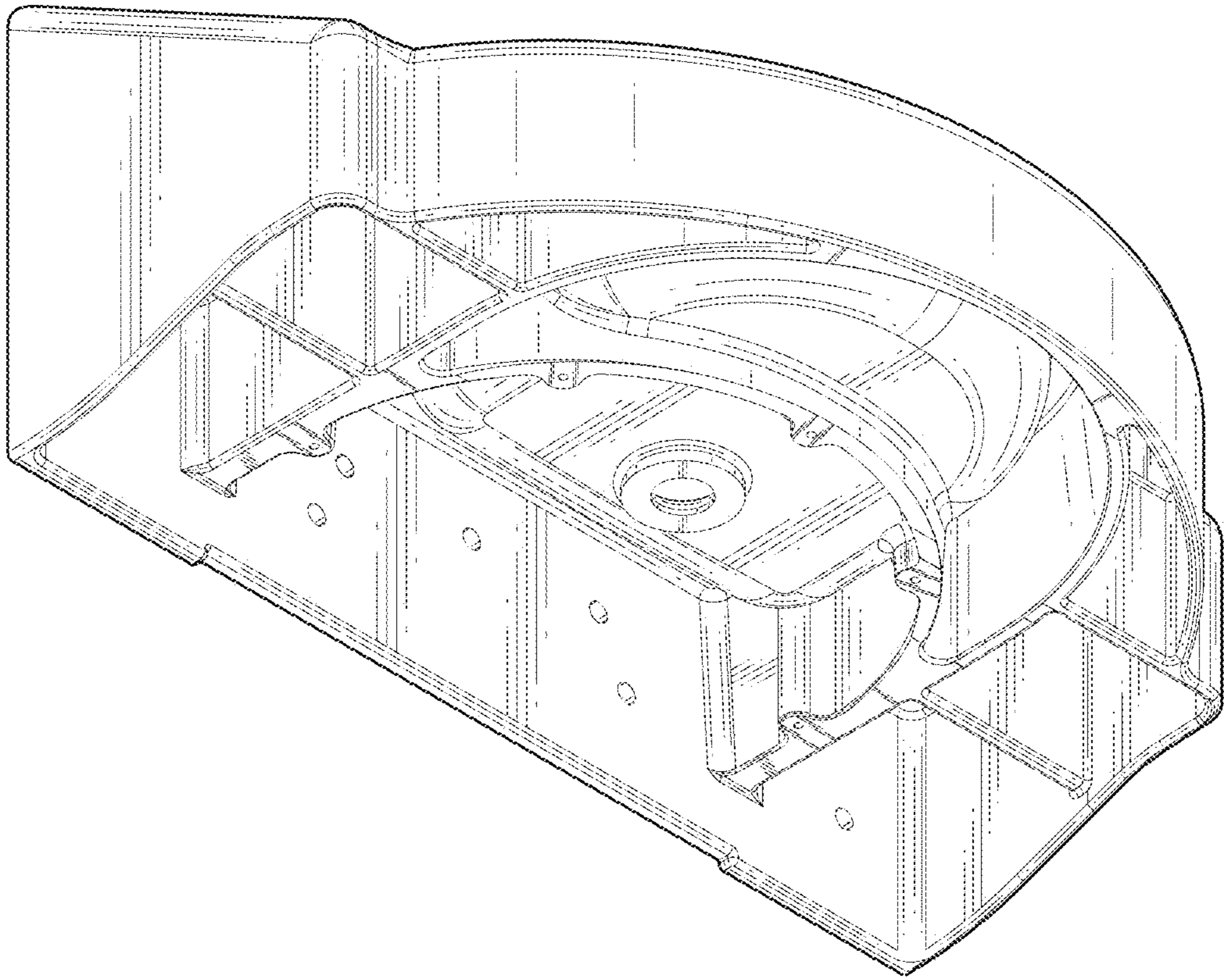


Fig. 2