



US00D923157S

(12) **United States Design Patent**
Lin

(10) **Patent No.:** **US D923,157 S**
(45) **Date of Patent:** **** Jun. 22, 2021**

- (54) **WATER PIPE WITH ELASTIC BAND**
- (71) Applicant: **Changzheng Lin**, Zhejiang (CN)
- (72) Inventor: **Changzheng Lin**, Zhejiang (CN)
- (73) Assignee: **Zhejiang Haochuan Rubber and Plastic Co., Ltd.**, Zhejiang (CN)
- (**) Term: **15 Years**
- (21) Appl. No.: **29/756,174**
- (22) Filed: **Oct. 26, 2020**
- (51) **LOC (13) Cl.** **23-01**
- (52) **U.S. Cl.**
USPC **D23/266**
- (58) **Field of Classification Search**
USPC D23/259, 266, 262; 138/28, 108-109,
138/118, 118.1, 129, 137, 172-174, 121;
285/417-419
See application file for complete search history.

(56) **References Cited**

U.S. PATENT DOCUMENTS

- D488,544 S * 4/2004 Akaltan D23/266
- D586,435 S * 2/2009 Reckseen D23/266
- D722,681 S * 2/2015 Berardi F16L 11/12
D23/266
- D723,669 S * 3/2015 Berardi D23/266
- D731,032 S * 6/2015 Yang D23/266
- 9,709,194 B1 * 7/2017 Pan F16L 11/20
- D873,391 S * 1/2020 Xie D23/266

- D888,205 S * 6/2020 Fang D23/266
- D891,589 S * 7/2020 Mishan D23/266
- 2008/0190506 A1 * 8/2008 Cleveland F16L 11/125
138/110
- 2011/0303317 A1 * 12/2011 Montalvo F16L 11/112
138/129
- 2013/0213514 A1 * 8/2013 Berardi F16L 11/04
138/109
- 2015/0308590 A1 * 10/2015 Liang F16L 33/224
138/109
- 2017/0363236 A1 * 12/2017 Rose F16L 33/01
- 2018/0347738 A1 * 12/2018 Zhang F16L 11/10
- 2019/0093804 A1 * 3/2019 Allman F16L 19/0286

* cited by examiner

Primary Examiner — Amy C Wierenga

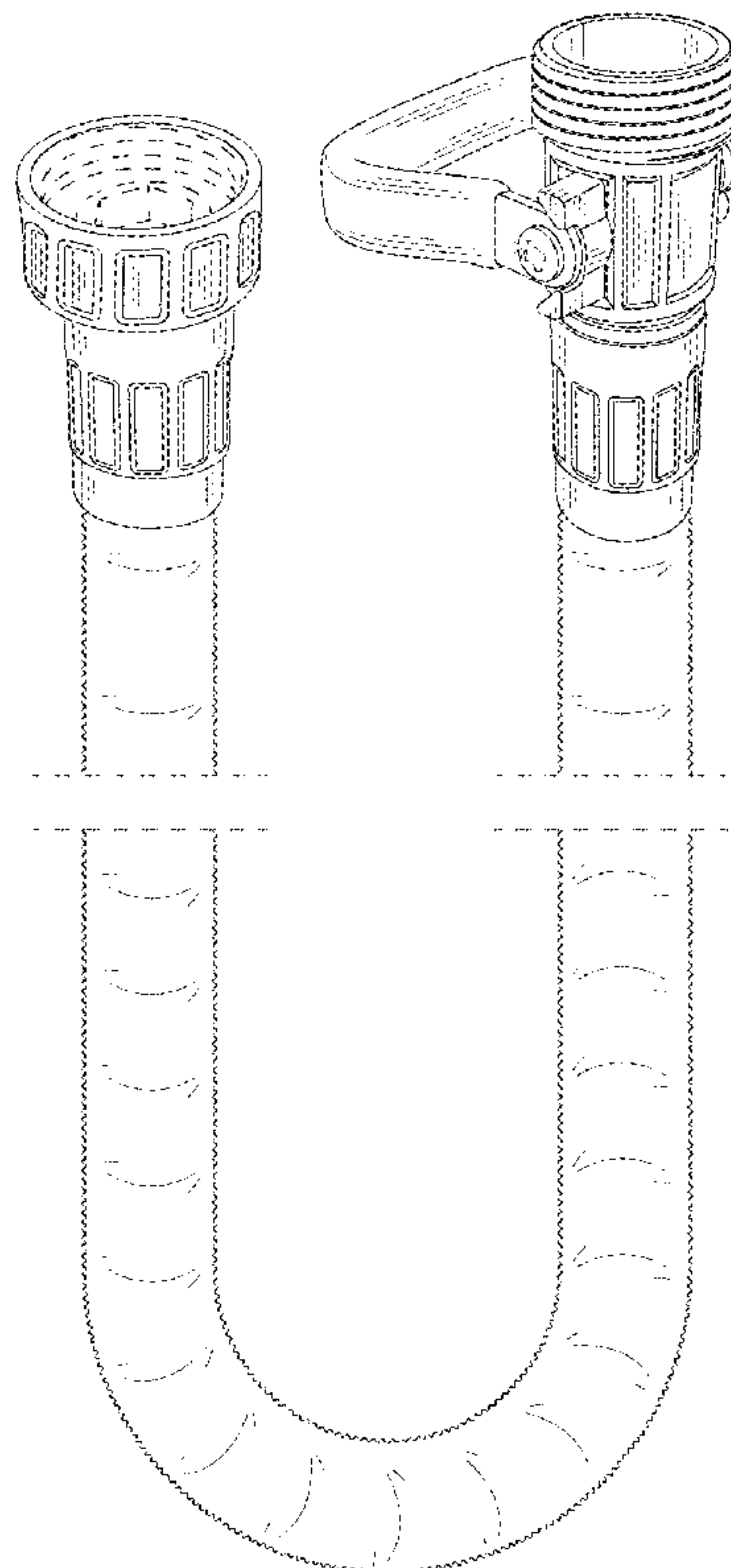
(57) **CLAIM**

The ornamental design for a water pipe with elastic band, as shown and described.

DESCRIPTION

FIG. 1 is a perspective view of a water pipe with elastic band showing my new design;
 FIG. 2 is a front elevational view thereof;
 FIG. 3 is a rear elevational view thereof;
 FIG. 4 is a left side elevational view thereof;
 FIG. 5 is a right side elevational view thereof;
 FIG. 6 is a top plan view thereof; and,
 FIG. 7 is a bottom plan view thereof.
 The broken lines throughout the drawing figures depict portions of the water pipe with elastic band that form no part of the claimed design.

1 Claim, 7 Drawing Sheets



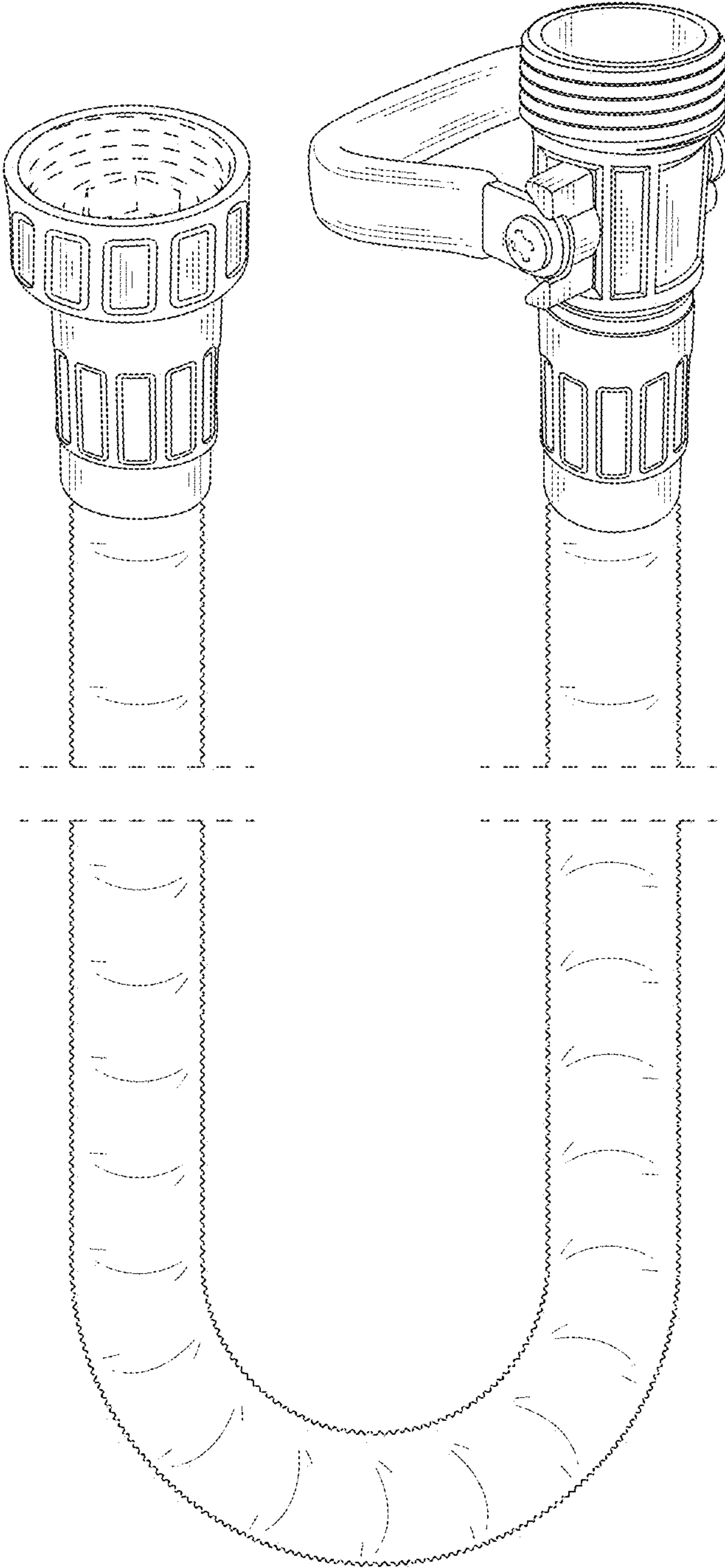


FIG. 1

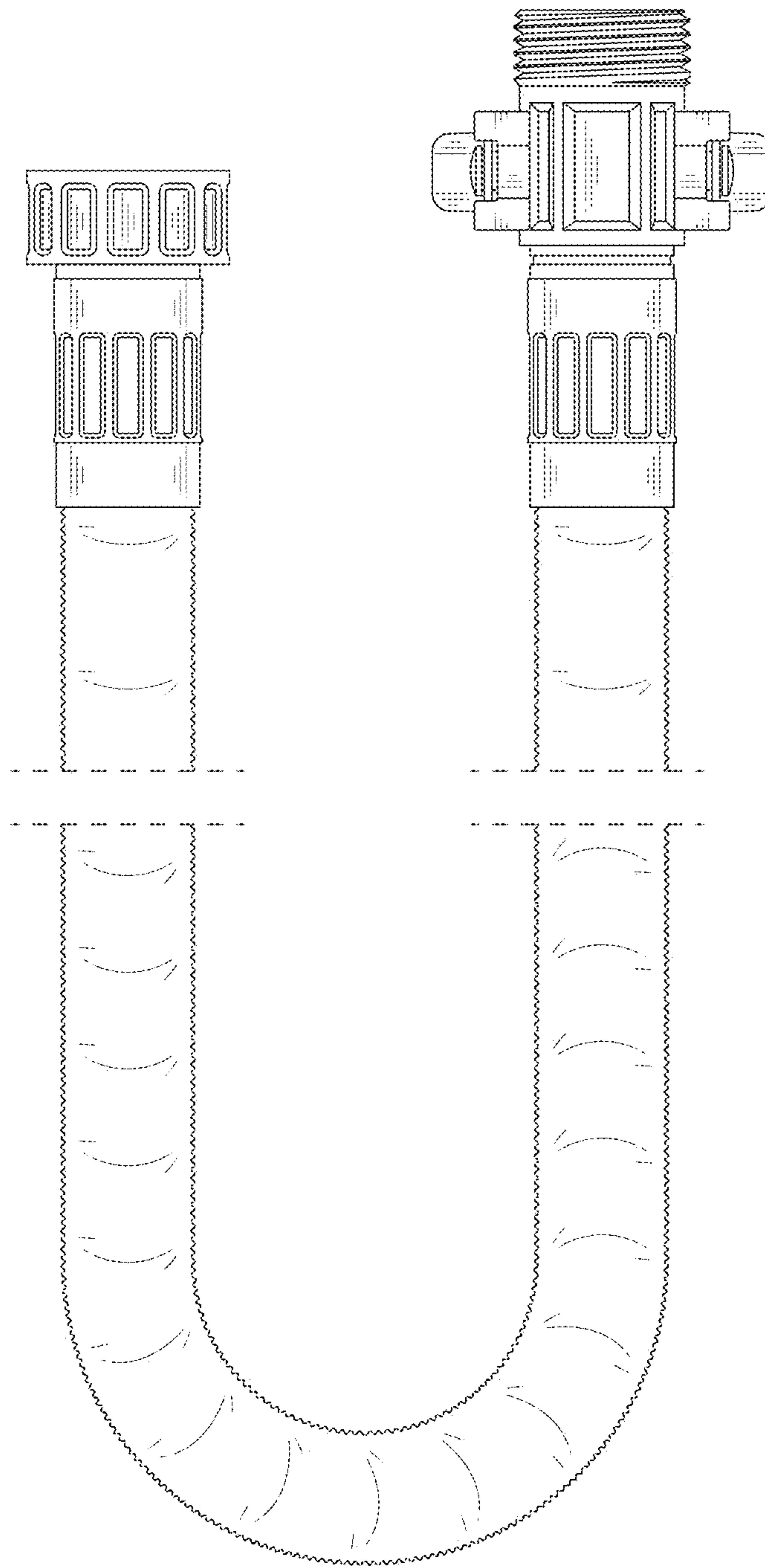


FIG.2

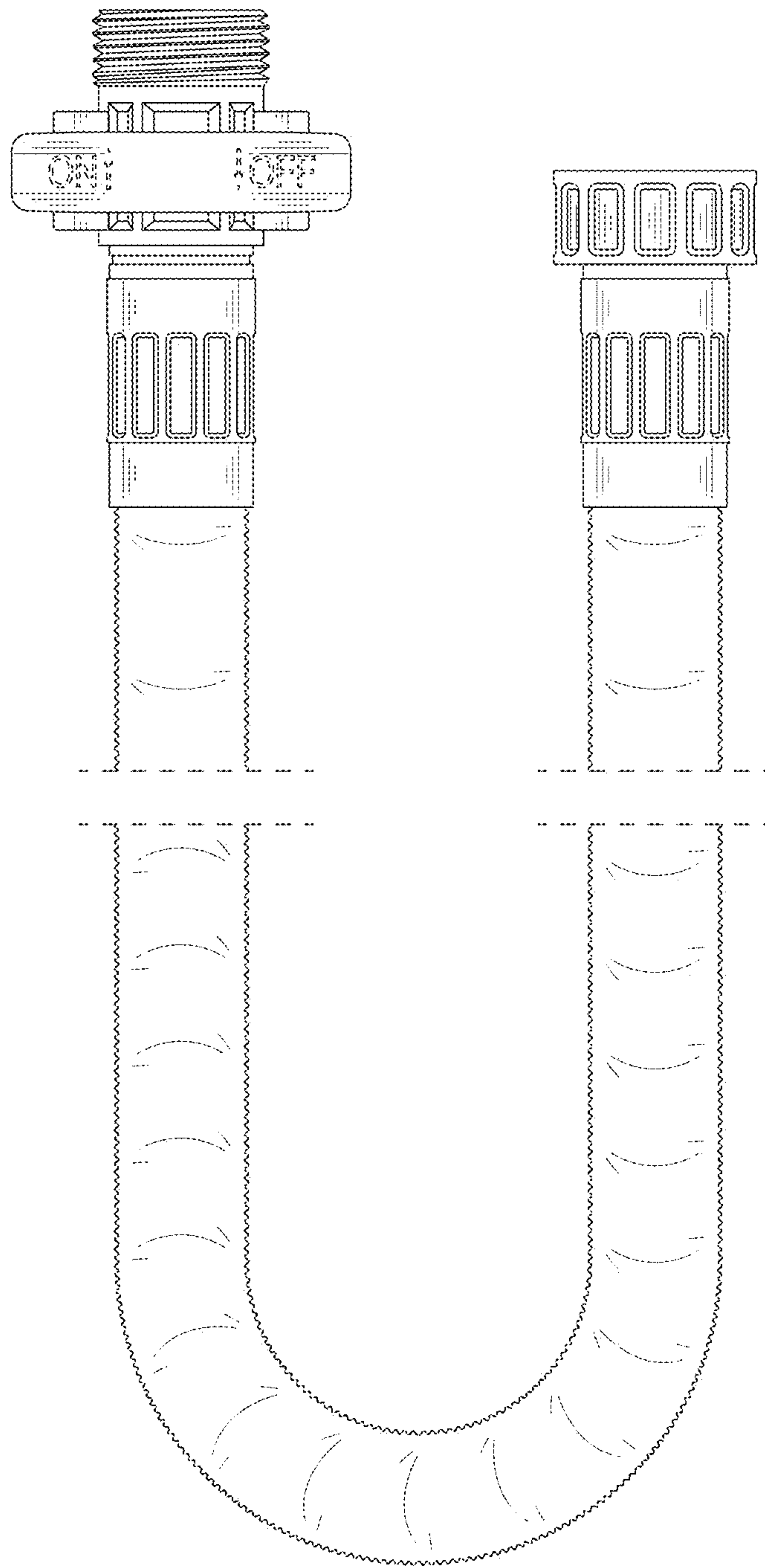


FIG.3

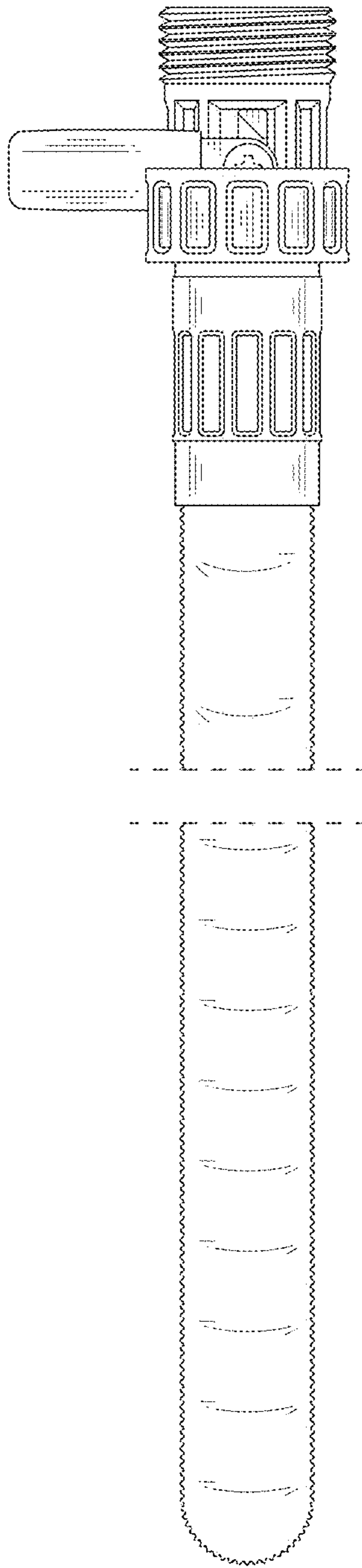


FIG.4

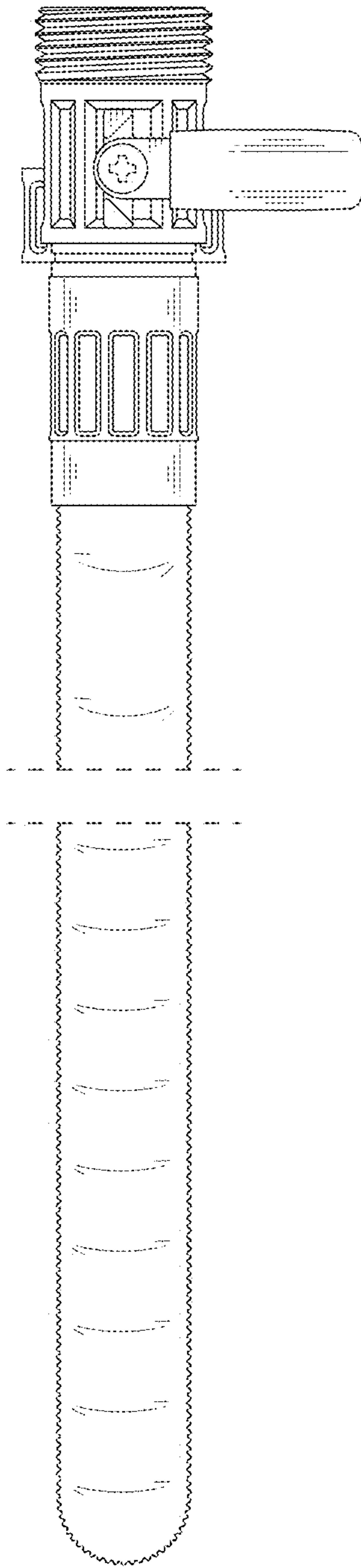


FIG.5

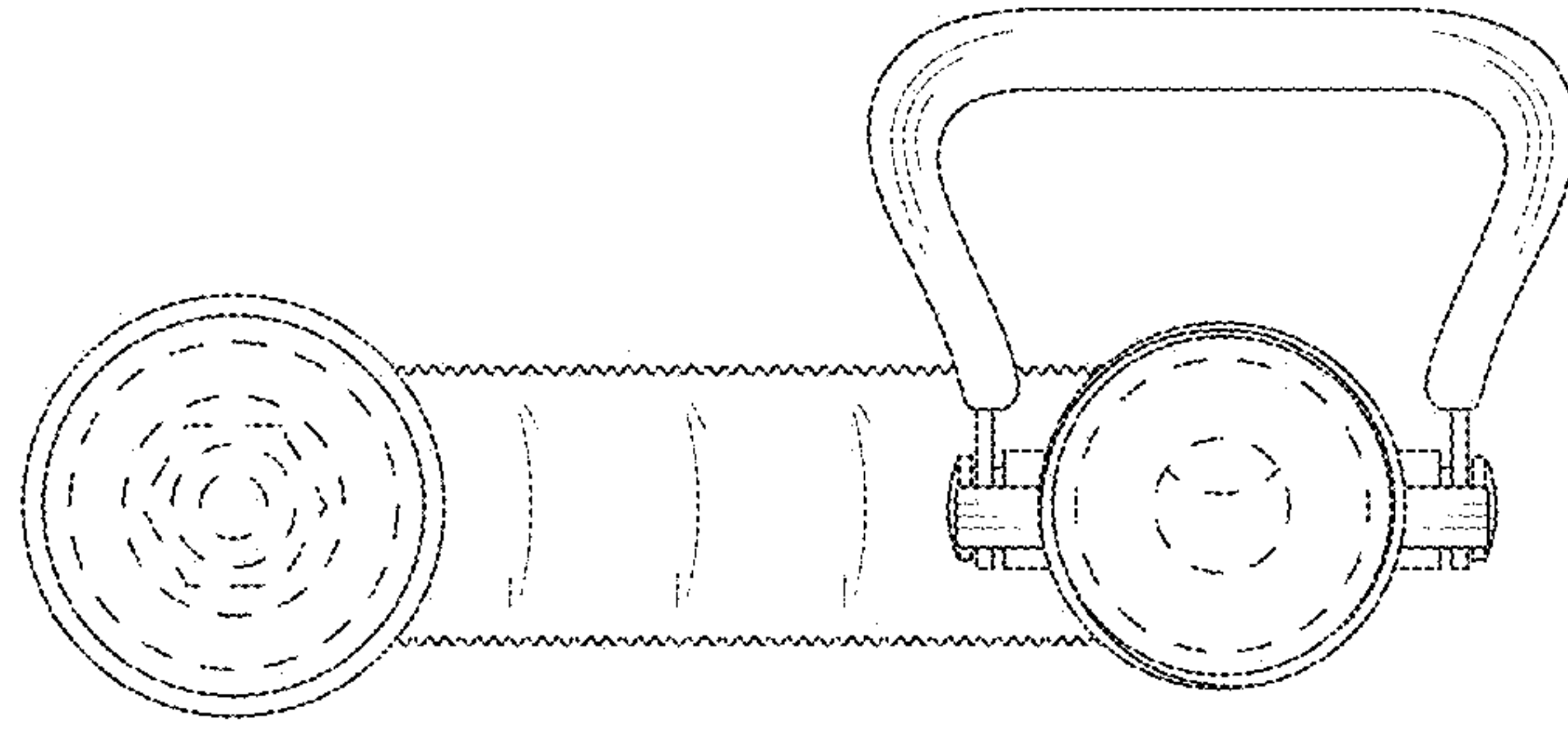


FIG.6

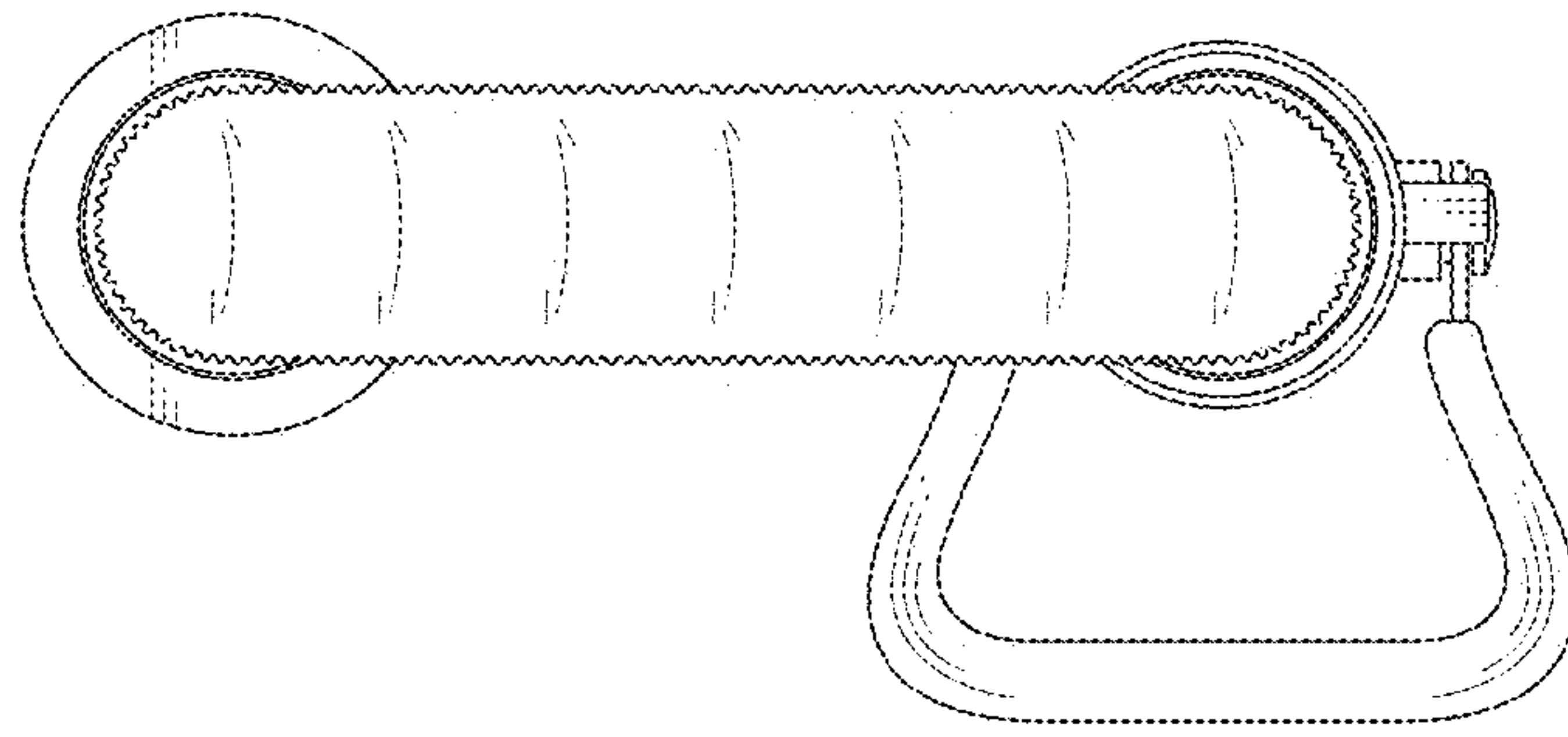


FIG.7