



US00D923156S

(12) **United States Design Patent**
O'Neil

(10) **Patent No.:** **US D923,156 S**

(45) **Date of Patent:** **** Jun. 22, 2021**

(54) **FLUID LINE CONNECTION SHELL**

(71) Applicant: **Terrence Jay O'Neil**, Johnson City, TN
(US)

(72) Inventor: **Terrence Jay O'Neil**, Johnson City, TN
(US)

(73) Assignee: **HD Clean, LLC**, Johnson City, TN
(US)

(**) Term: **15 Years**

(21) Appl. No.: **29/714,811**

(22) Filed: **Nov. 26, 2019**

(51) **LOC (13) Cl.** **23-01**

(52) **U.S. Cl.**
USPC **D23/265**; D24/217; D24/129

(58) **Field of Classification Search**
USPC 137/551-552; 251/331; D23/213, 233,
D23/235, 259-262, 264-266; 285/91,
285/345, 377, 388, 390, 16, 45, 148.22,
285/148.26, 244, 384, 395, 420;
D24/112, 127, 129, 108, 110.6, 113, 130;
D13/133, 154-156; 138/109; 604/535
CPC F16L 11/00
See application file for complete search history.

(56) **References Cited**

U.S. PATENT DOCUMENTS

3,059,209 A * 10/1962 Bird H01R 13/6392
439/369
4,405,312 A * 9/1983 Gross A61L 2/18
604/29

D464,325 S * 10/2002 Peters D13/156
D503,778 S * 4/2005 Wicks D23/259
D569,349 S * 5/2008 Preston D13/156
D599,478 S * 9/2009 Bizup D24/128
D624,645 S * 9/2010 Shaffer D24/129
D634,840 S * 3/2011 Lombardi, III D24/129
D663,022 S * 7/2012 Lombardi, III D24/129
D764,661 S * 8/2016 Babbs D24/129
D834,186 S * 11/2018 Lombardi, III D24/129
D844,780 S * 4/2019 White D24/129
2008/0277924 A1 * 11/2008 Jensen F16L 37/0987
285/81

* cited by examiner

Primary Examiner — Amy C Wierenga

(74) *Attorney, Agent, or Firm* — John Wood; Wood Patent
Law

(57) **CLAIM**

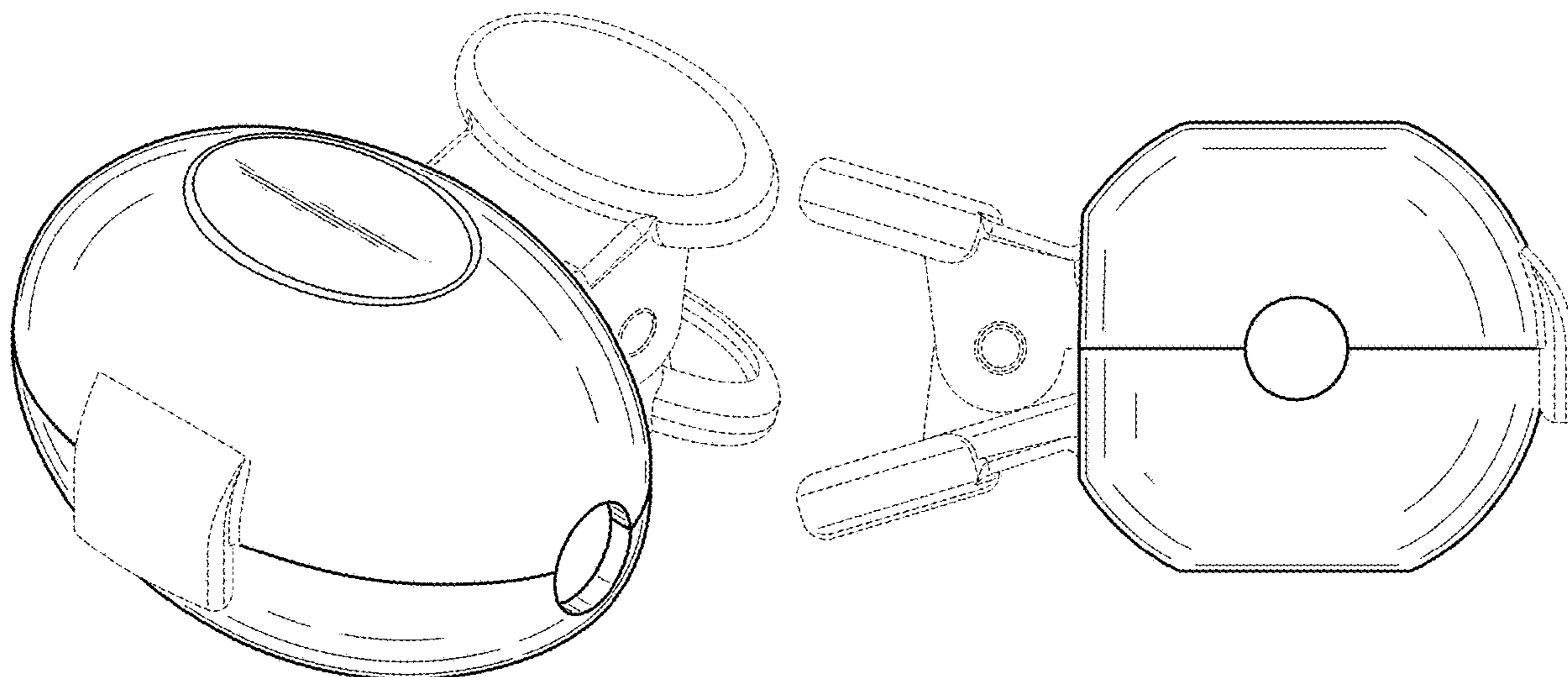
The ornamental design for a fluid line connection shell, as
shown and described.

DESCRIPTION

FIG. 1 is a top front perspective view of a fluid line
connection shell showing my new design;
FIG. 2 is a left side view thereof;
FIG. 3 is a right side view thereof;
FIG. 4 is a front view thereof;
FIG. 5 is a rear view thereof;
FIG. 6 is a top view thereof; and,
FIG. 7 is a bottom view thereof.

The broken lines shown represent unclaimed subject matter
and form no part of the claimed design.

1 Claim, 5 Drawing Sheets



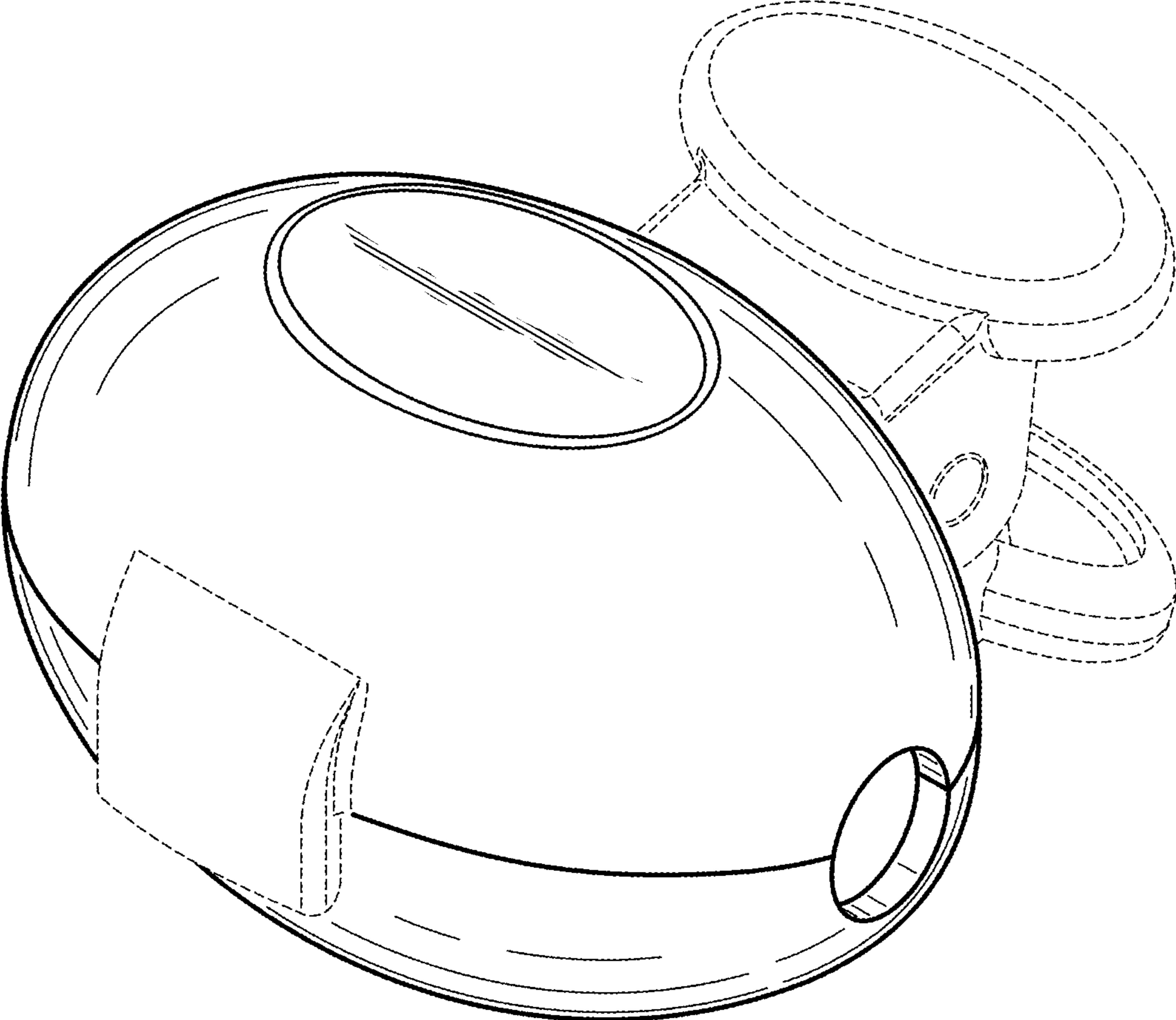


FIG. 1

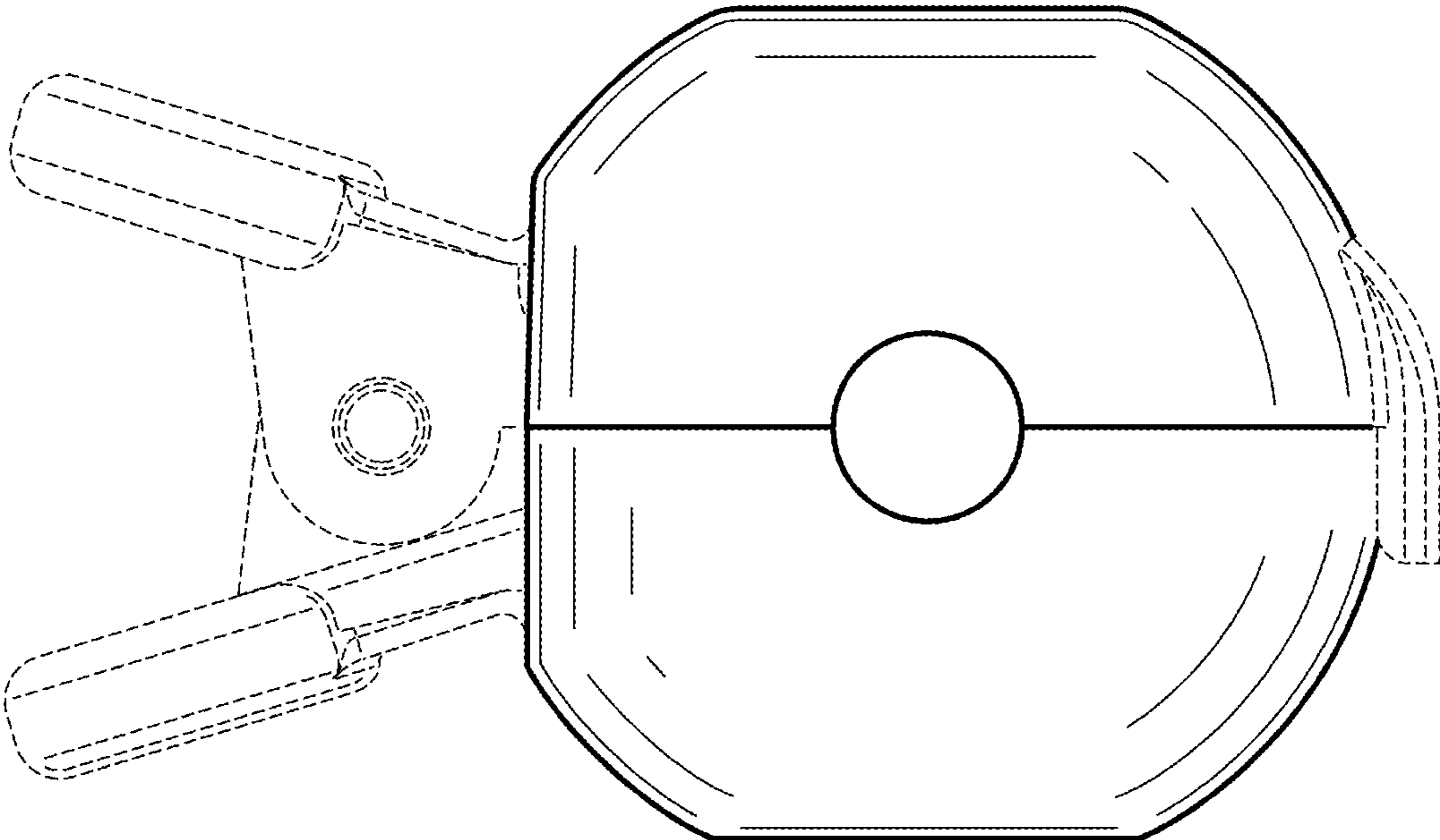


FIG. 2

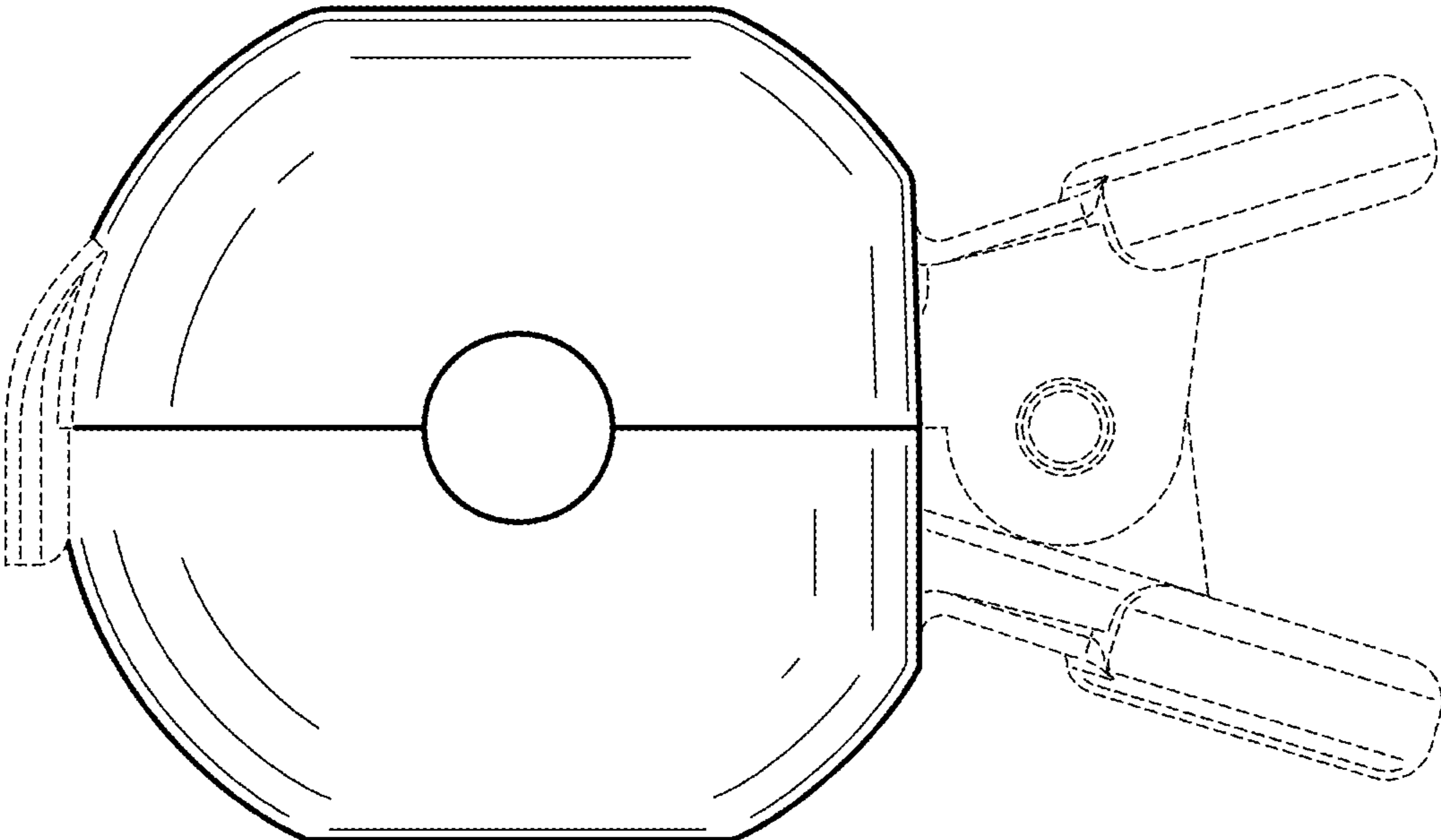


FIG. 3

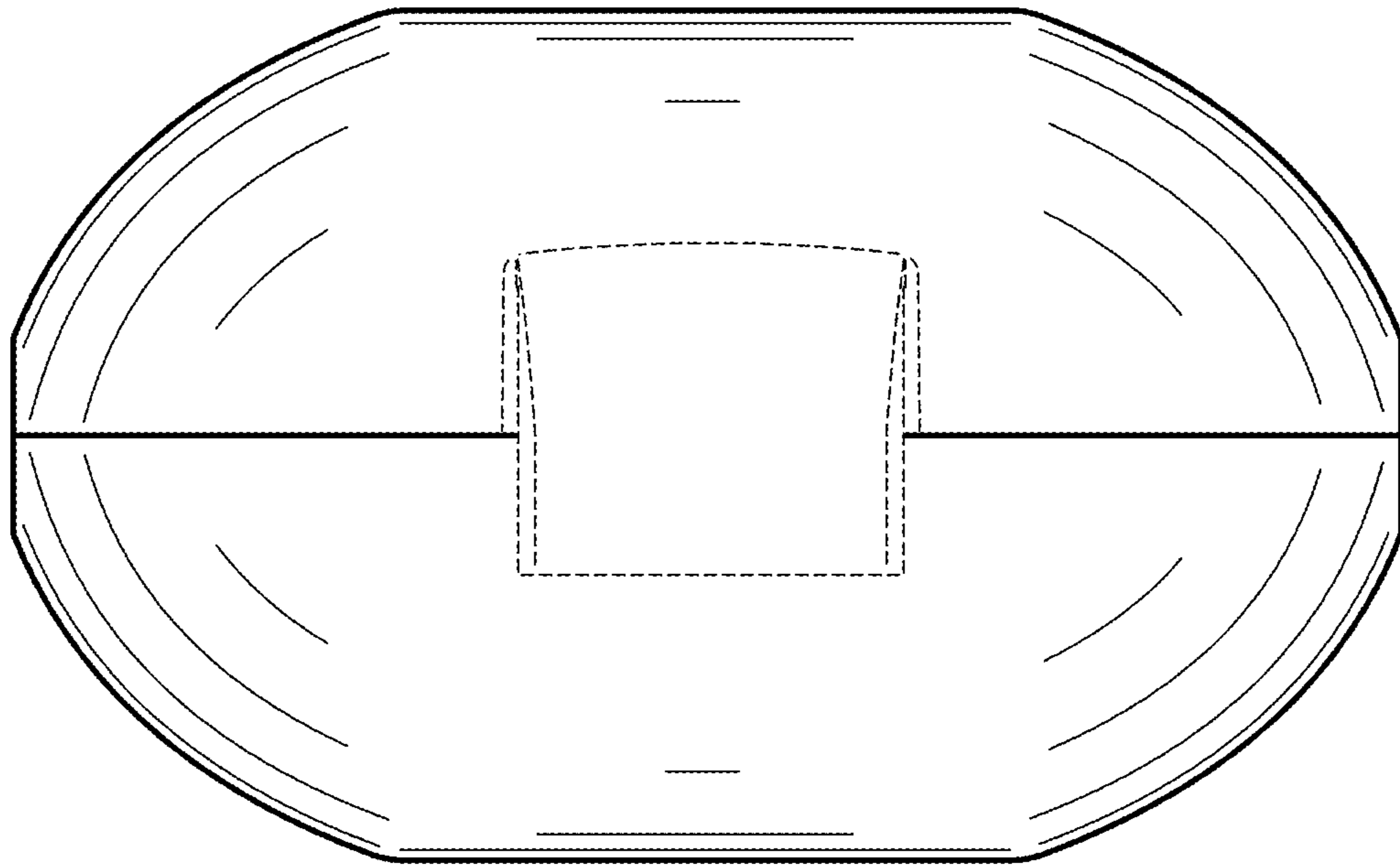


FIG. 4

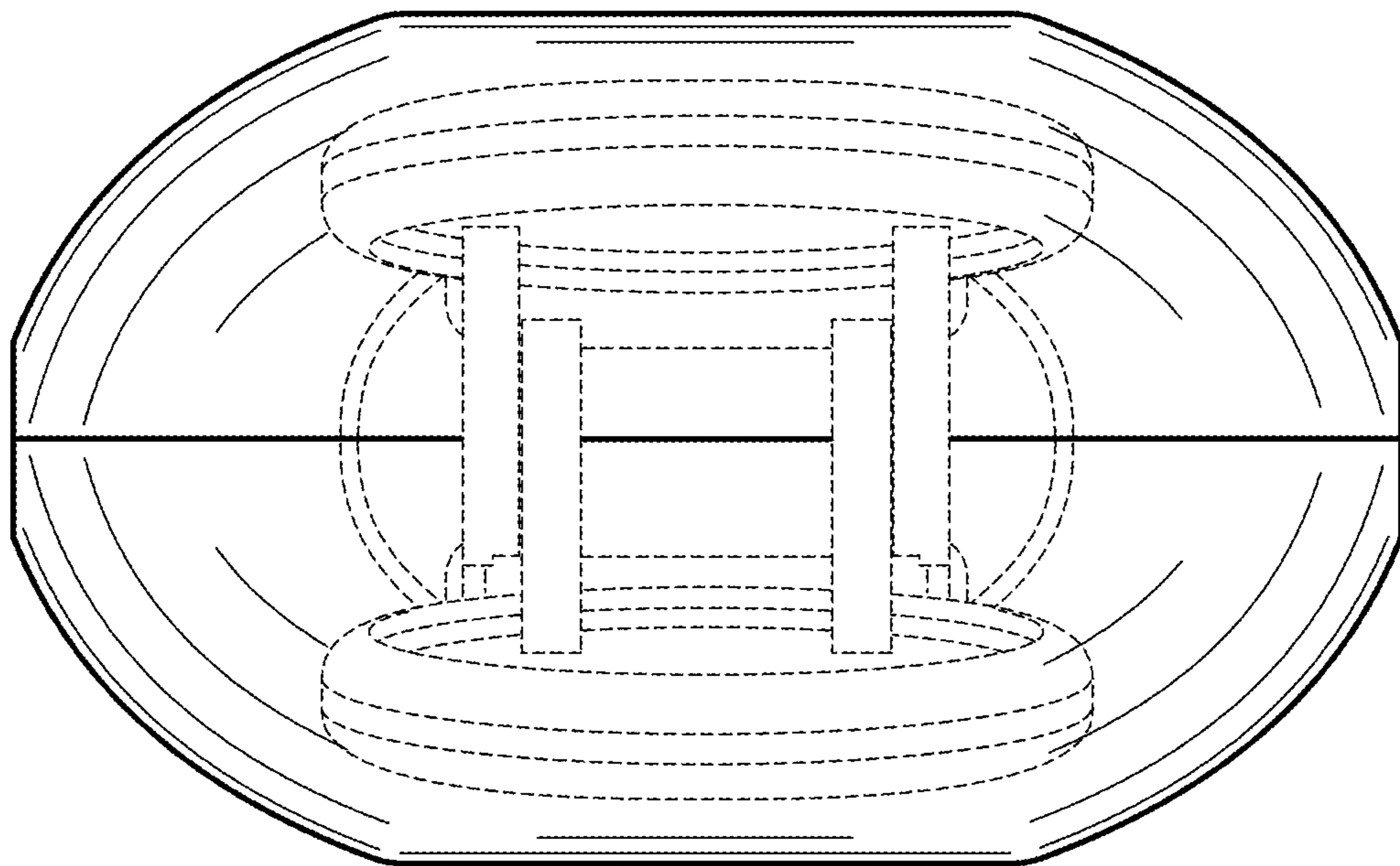


FIG. 5

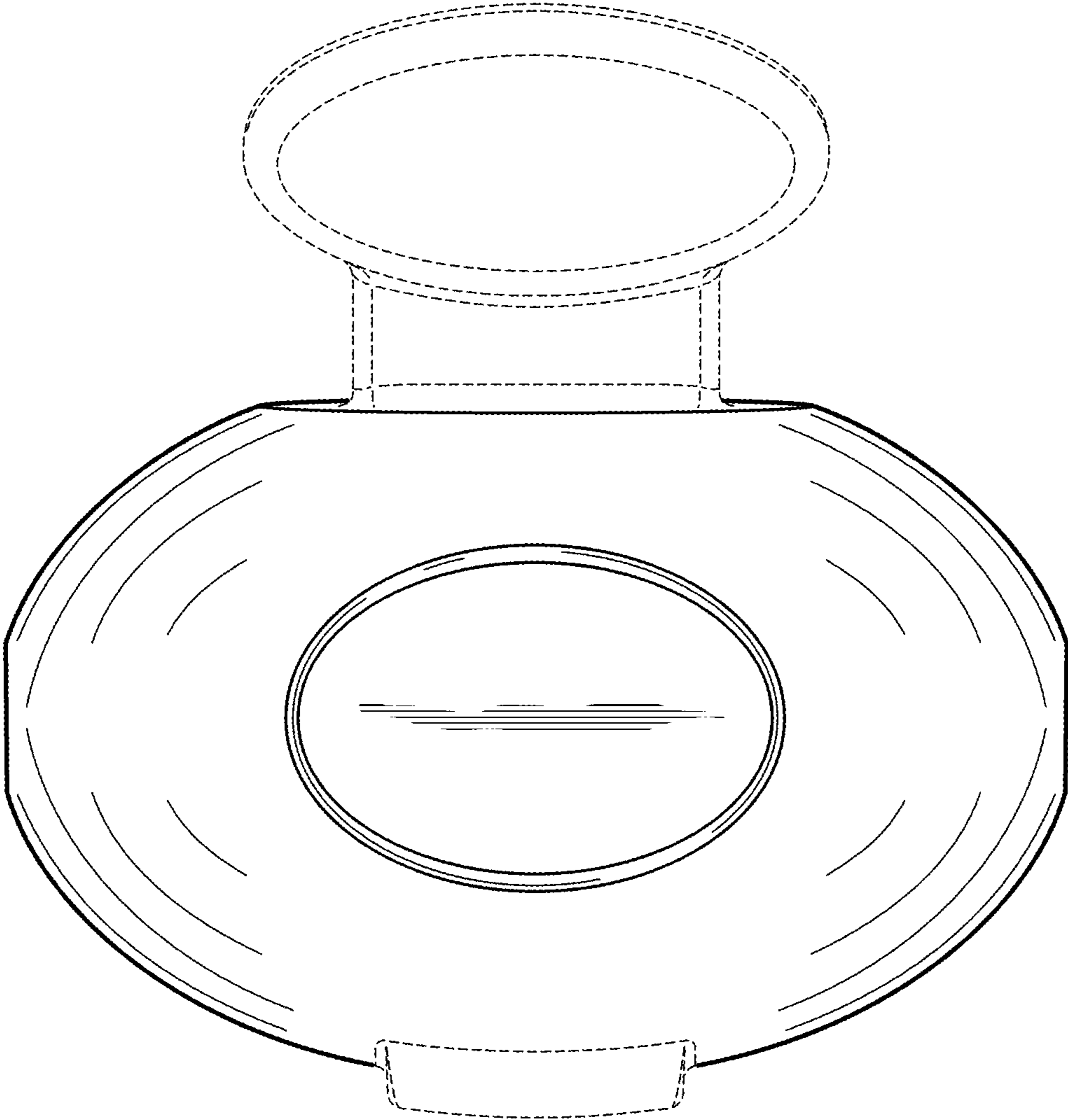


FIG. 6

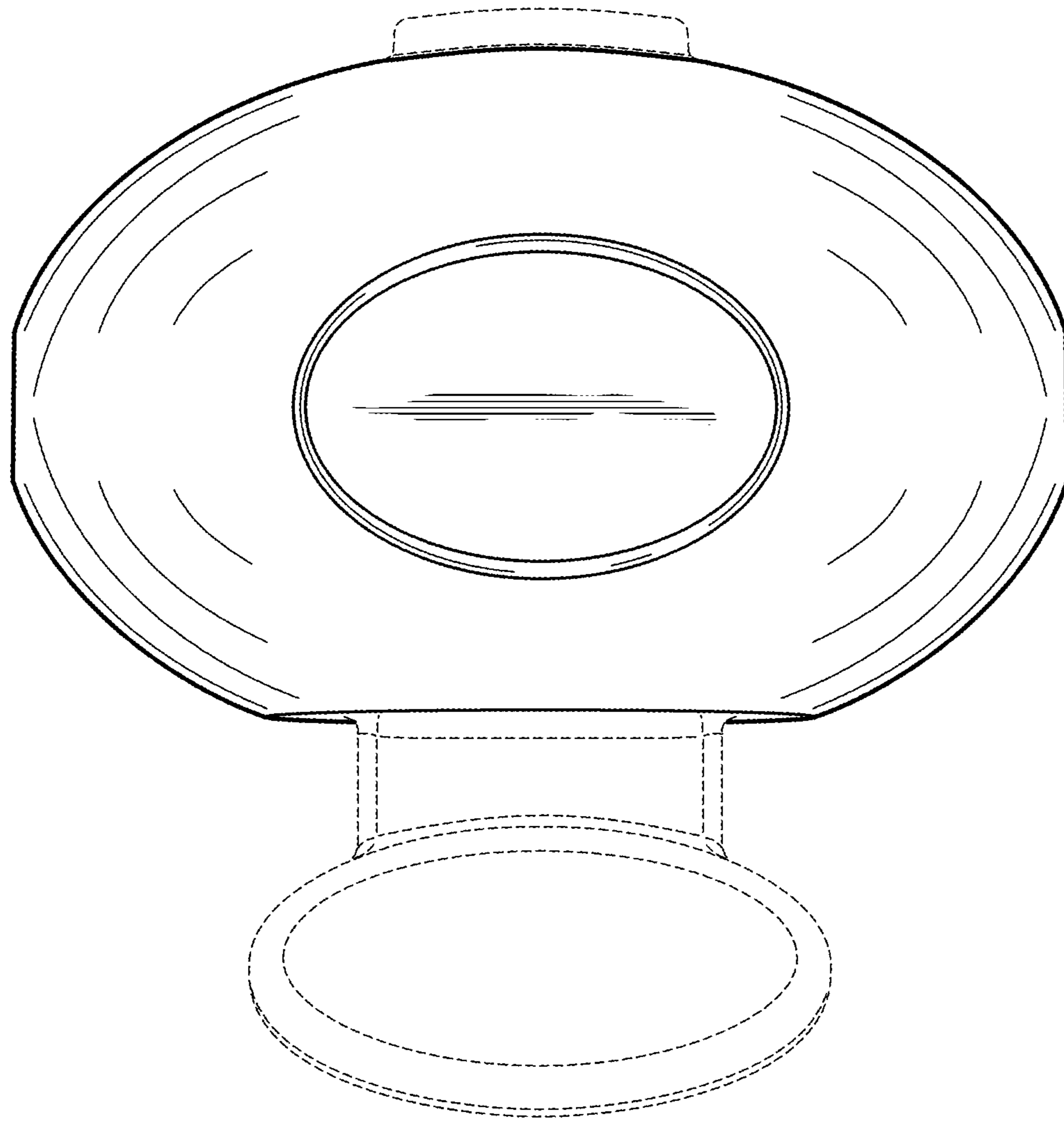


FIG. 7