



US00D923155S

(12) **United States Design Patent**  
**Mezzalira**

(10) **Patent No.:** **US D923,155 S**

(45) **Date of Patent:** **\*\* Jun. 22, 2021**

(54) **HOSE COUPLING WITH FERRULE**

(71) Applicant: **FITT S.p.A.**, Vicenza (IT)

(72) Inventor: **Alessandro Mezzalira**, Vicenza (IT)

(73) Assignee: **Fitt S.p.A.**, Vicenza (IT)

(\*\*) Term: **15 Years**

(21) Appl. No.: **29/731,293**

(22) Filed: **Apr. 14, 2020**

(51) **LOC (13) Cl.** ..... **23-01**

(52) **U.S. Cl.**

USPC ..... **D23/262**

(58) **Field of Classification Search**

USPC ..... D23/259, 262–266, 213, 233, 235;  
137/315.23, 798; 138/28, 108–110, 118,  
138/118.1, 121, 129, 155, 172–174, 96 T;  
D13/133, 151; D8/382, 396; 285/53,  
285/148.2, 239, 316, 321, 338, 347, 369,  
285/417–419; 604/533, 538; D24/127,  
D24/129

CPC ..... F16L 37/252; F16L 59/14; F16L 17/10;  
F16L 33/16

See application file for complete search history.

(56) **References Cited**

**U.S. PATENT DOCUMENTS**

4,099,748 A	7/1978	Kavick	
D412,738 S *	8/1999	Kuwahara	D23/233
D441,436 S *	5/2001	Chao	D23/262
D473,633 S *	4/2003	Chun-Lee	D23/262
D499,465 S	12/2004	Paul, III	
D500,475 S	1/2005	Noro et al.	
D501,539 S	2/2005	Dyer, III	
D570,457 S *	6/2008	Brown	D23/262
D593,186 S	5/2009	van der Meijden et al.	
D613,372 S *	4/2010	Zore	D23/233

(Continued)

**OTHER PUBLICATIONS**

FITT Force Pro, The Hose Anti-Kink, Fitt USA website (www.fitt-usa.com/fitt-flow), date obtained Nov. 10, 2019, 4 pages.

(Continued)

*Primary Examiner* — Amy C Wierenga

(74) *Attorney, Agent, or Firm* — Kilyk & Bowersox, P.L.L.C.

(57) **CLAIM**

The ornamental design for the hose coupling with ferrule, as shown and described.

**DESCRIPTION**

FIG. 1 is a front, top, right-side perspective view of the hose coupling with ferrule of the present invention;

FIG. 2 is a back, bottom, left-side perspective view of the hose coupling with ferrule of the present invention;

FIG. 3 is a front view of the hose coupling with ferrule of the present invention;

FIG. 4 is a back view of the hose coupling with ferrule of the present invention;

FIG. 5 is a right-side view of the hose coupling with ferrule of the present invention;

FIG. 6 is a left-side view of the hose coupling with ferrule of the present invention;

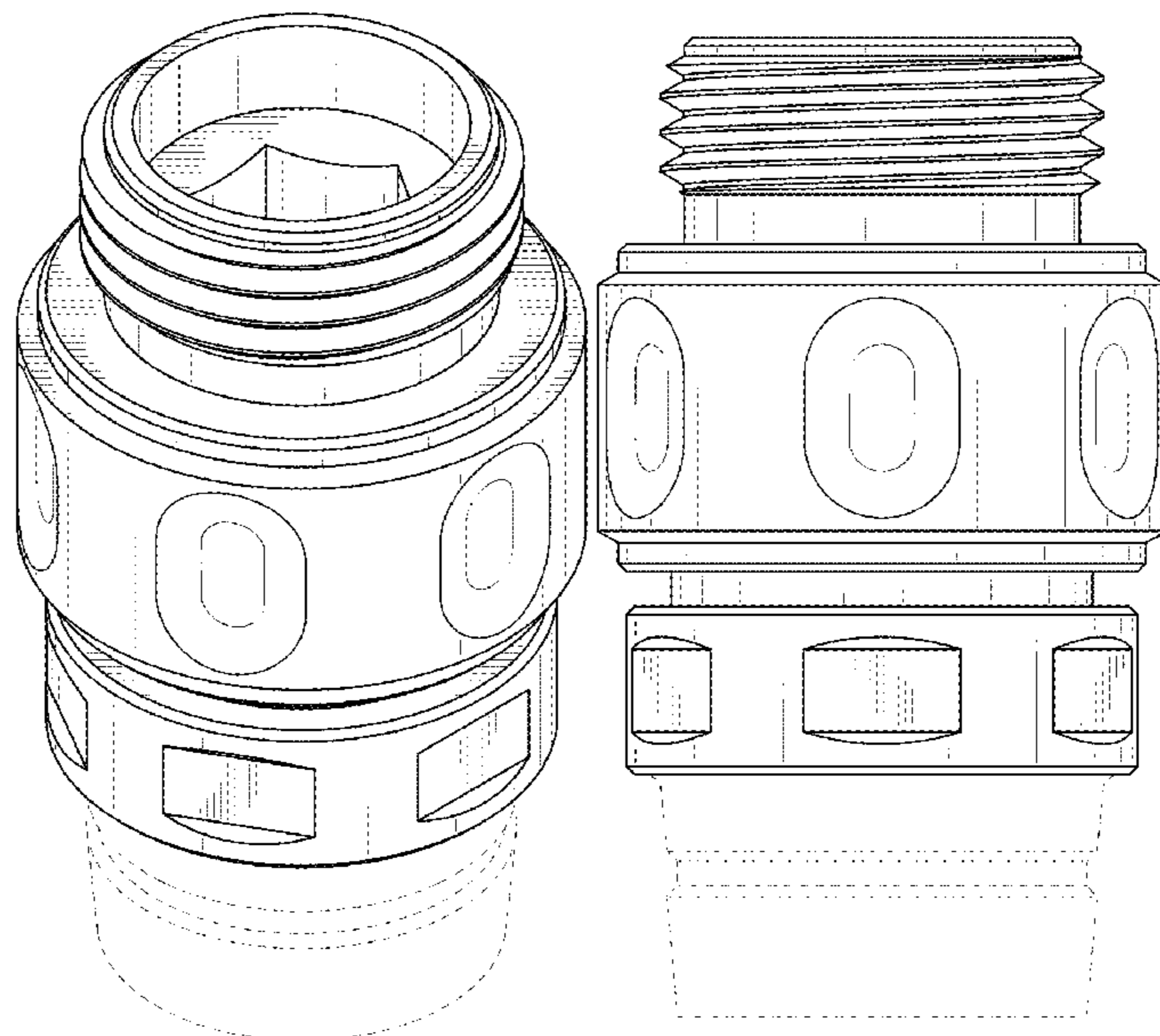
FIG. 7 is a top view of the hose coupling with ferrule of the present invention;

FIG. 8 is a bottom view of the hose coupling with ferrule of the present invention; and,

FIG. 9 is a top, front perspective view of the hose coupling with ferrule of the present invention and showing environment including a hose sleeve in broken lines.

The drawings show a hose coupling with ferrule. The broken lines shown in the drawings encompass features of a hose coupling and hose sleeve to which the hose coupling with ferrule is attached and which form no part of the claimed design.

**1 Claim, 8 Drawing Sheets**



(56)

References Cited

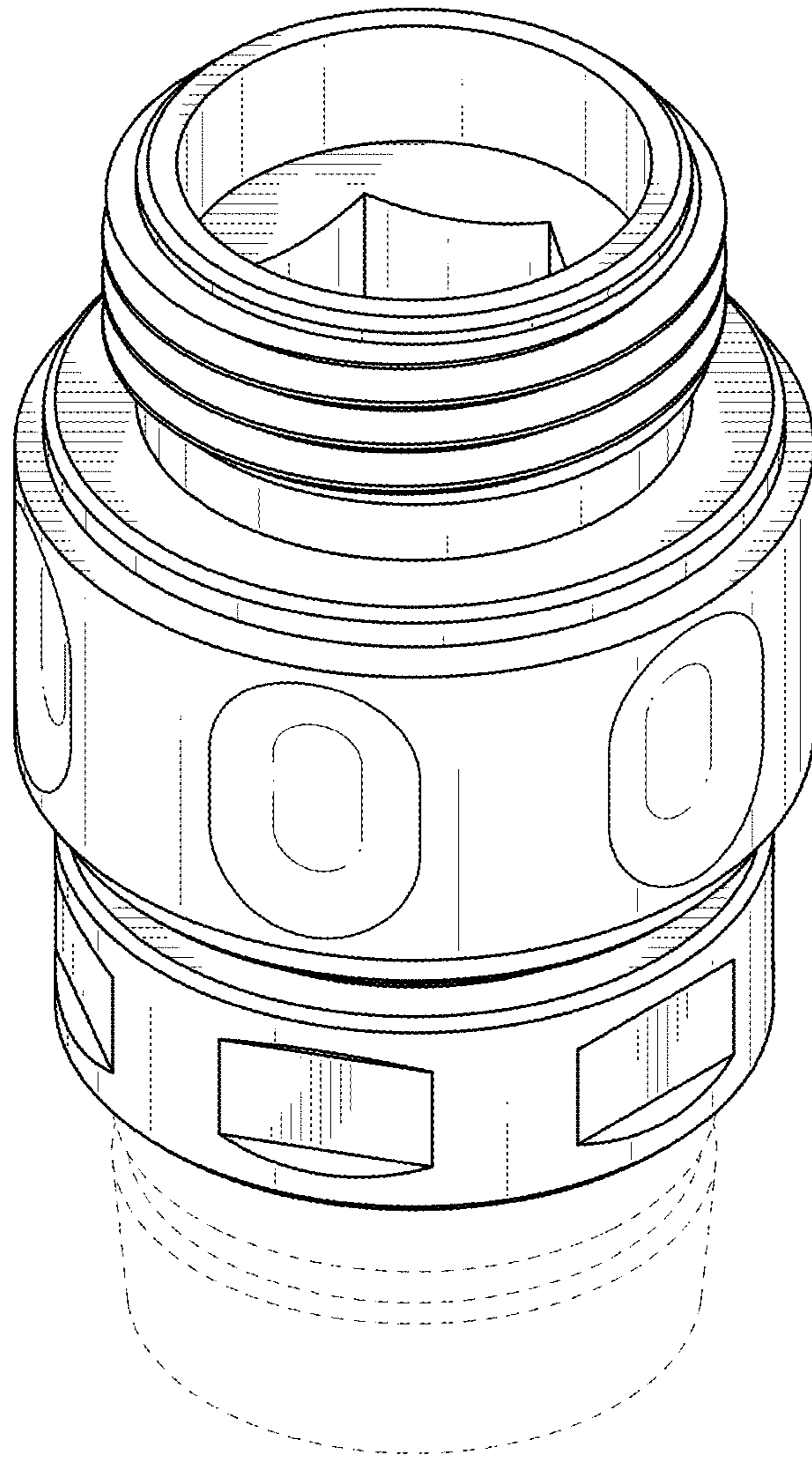
U.S. PATENT DOCUMENTS

D613,373 S \* 4/2010 Zore ..... D23/233  
D616,969 S 6/2010 Zore  
D627,038 S \* 11/2010 Yu ..... D23/260  
D662,059 S \* 6/2012 Amidon ..... D13/151  
D665,481 S 8/2012 Bloink et al.  
D707,334 S 6/2014 Hernandez et al.  
D709,834 S \* 7/2014 Liu ..... D13/151  
D719,244 S \* 12/2014 Yang ..... D23/262  
D719,646 S 12/2014 Melo  
D719,647 S 12/2014 Melo  
D723,670 S 3/2015 Lorraine  
D725,749 S 3/2015 Mezzalira et al.  
9,249,912 B2 2/2016 Flynn  
9,261,213 B2 2/2016 Mager et al.  
9,709,194 B1 \* 7/2017 Pan ..... F16L 11/20  
D832,094 S \* 10/2018 Omori ..... D8/397  
D833,585 S 11/2018 Khubani  
D854,128 S 7/2019 Norton et al.  
D863,021 S 10/2019 Papafagos  
D879,250 S \* 3/2020 Glaser ..... D23/233  
D881,356 S 4/2020 Mezzalira  
2007/0113912 A1 5/2007 Lawrence  
2014/0246851 A1 9/2014 Mager et al.  
2017/0146168 A1 5/2017 Caprio et al.  
2017/0363236 A1 12/2017 Rose et al.

OTHER PUBLICATIONS

FITT Force Pro, The Hose Couplings, Fitt USA website ([www.fitt-usa.com/fitt-flow](http://www.fitt-usa.com/fitt-flow)), date obtained Nov. 10, 2019, 3 pages.

\* cited by examiner



**FIG. 1**

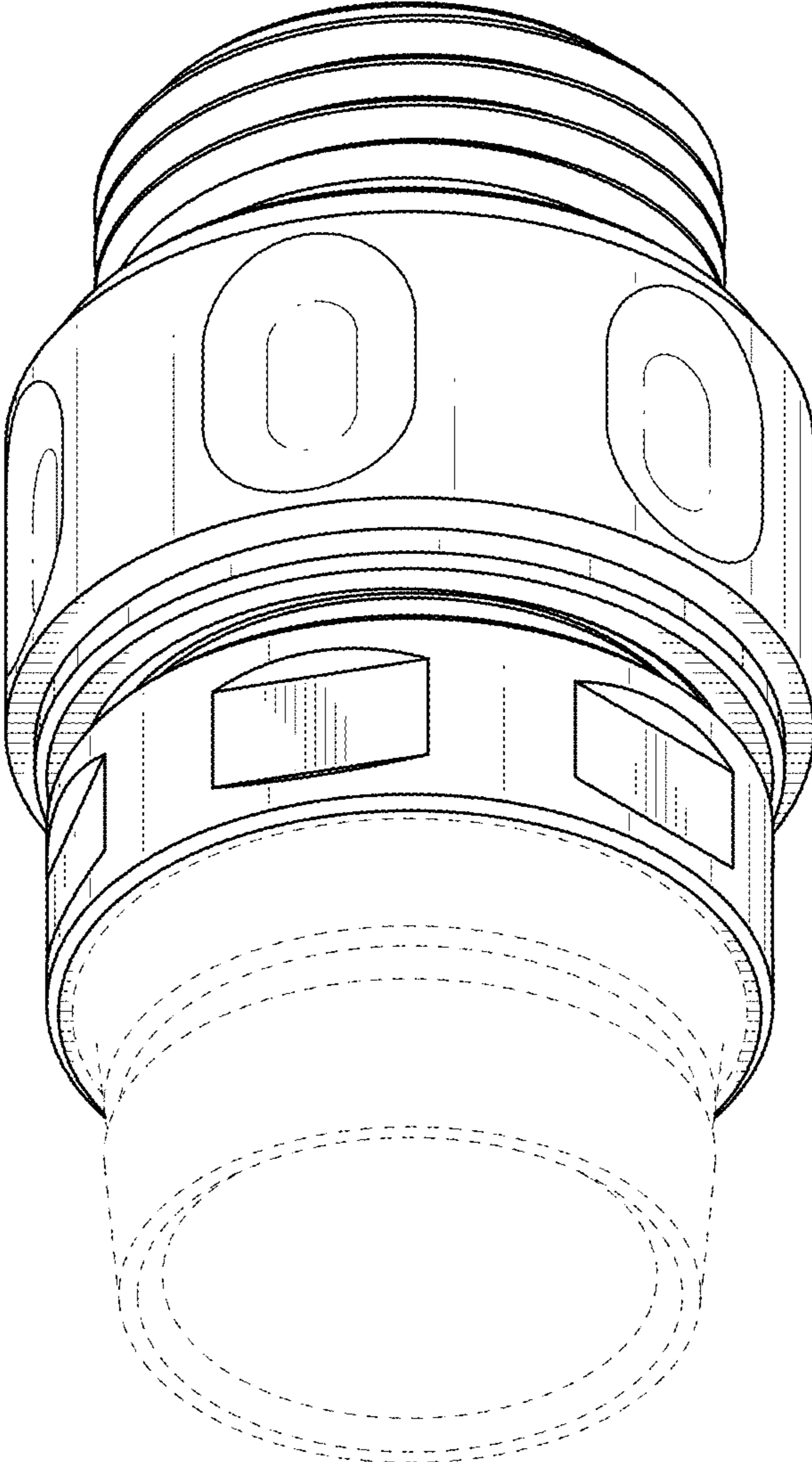
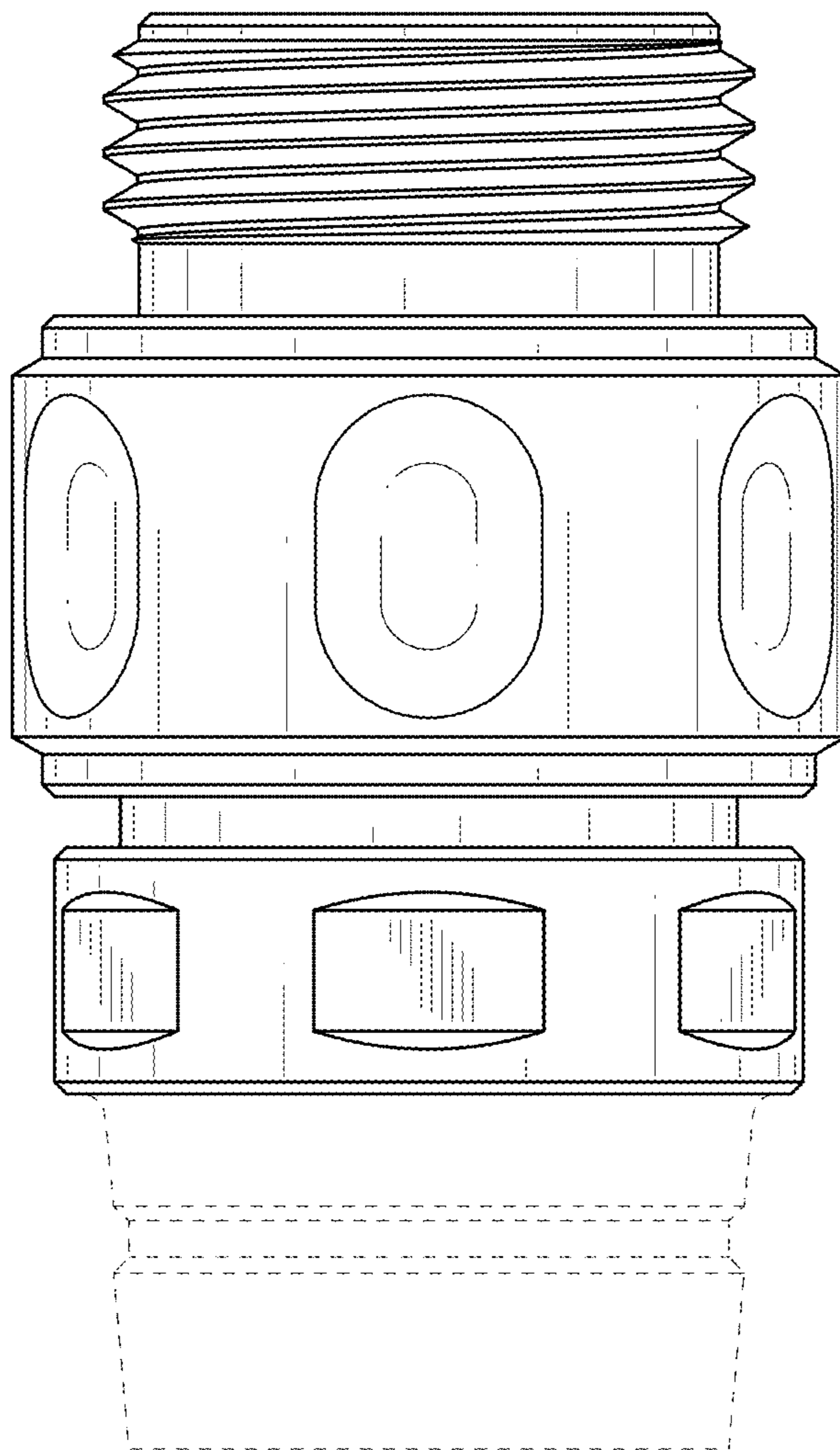
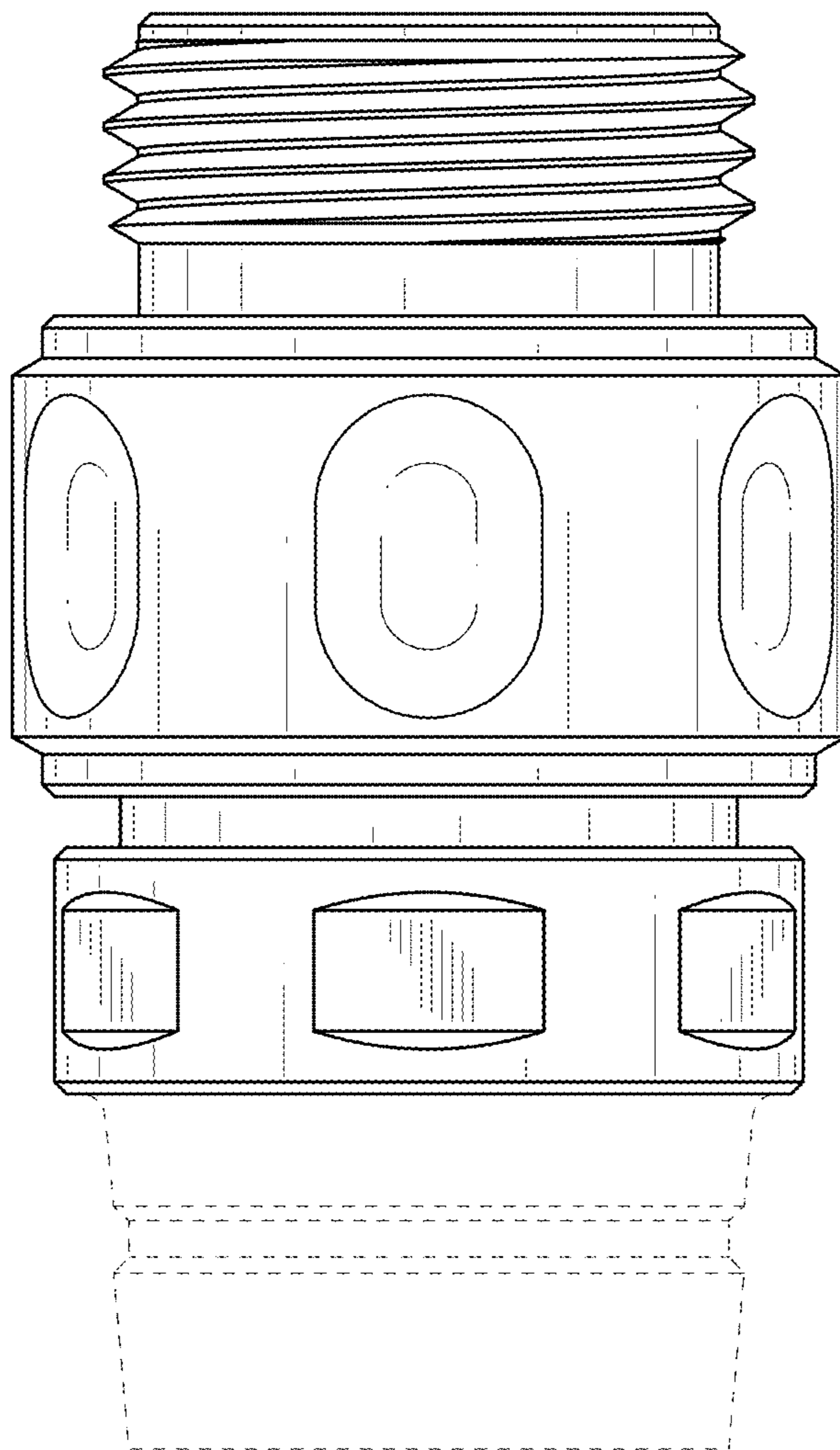


FIG. 2

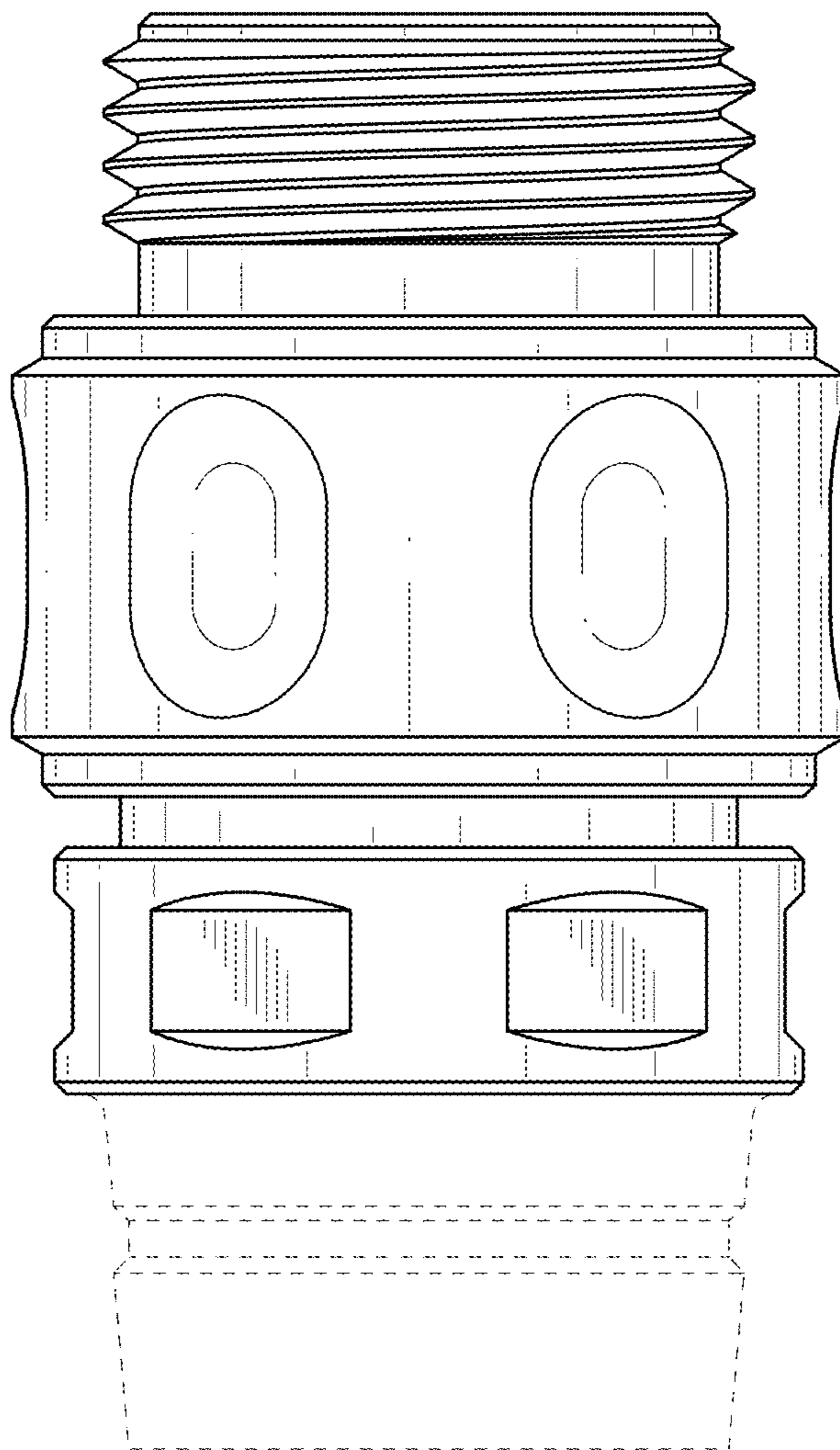




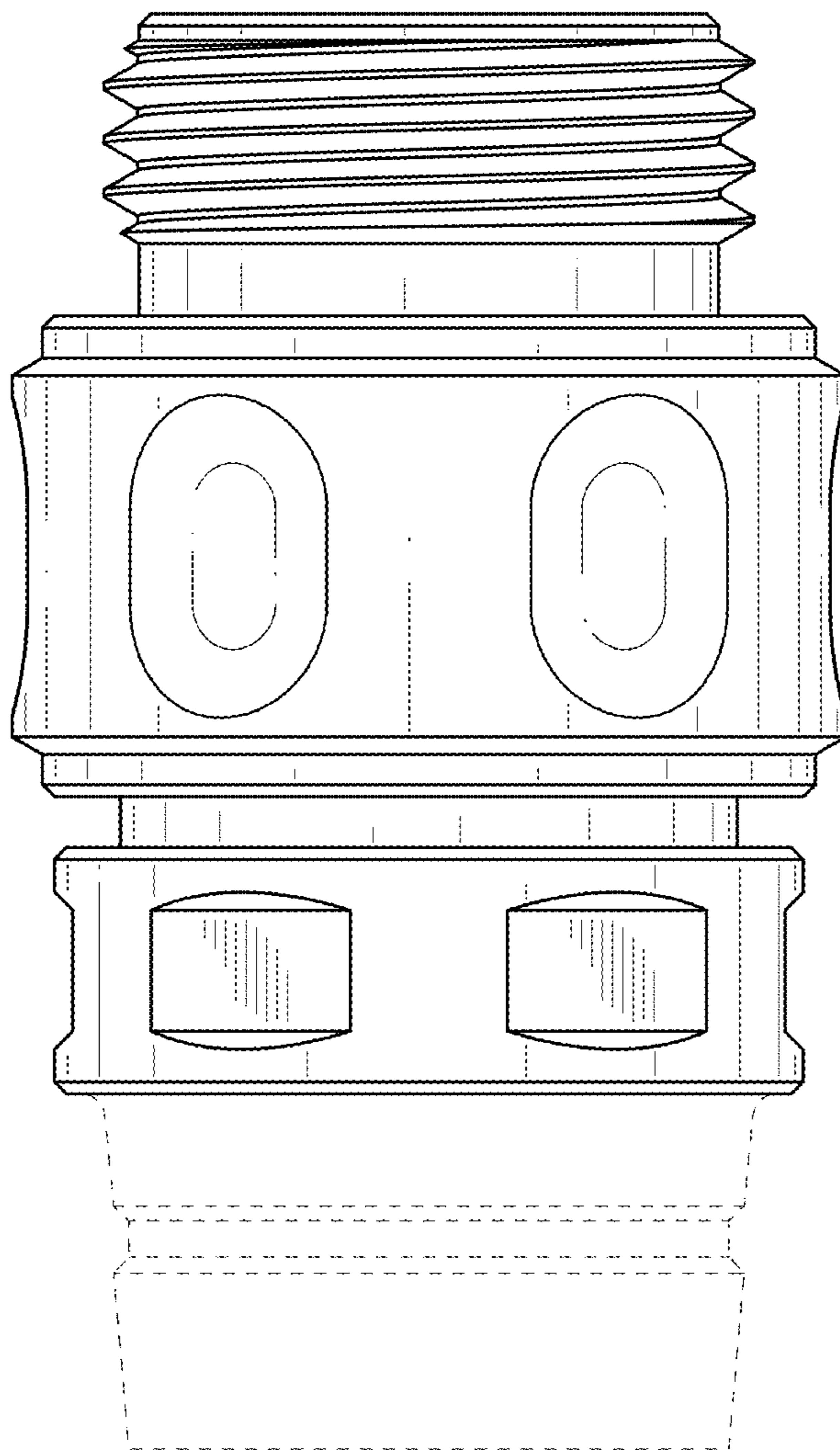
**FIG. 3**



**FIG. 4**

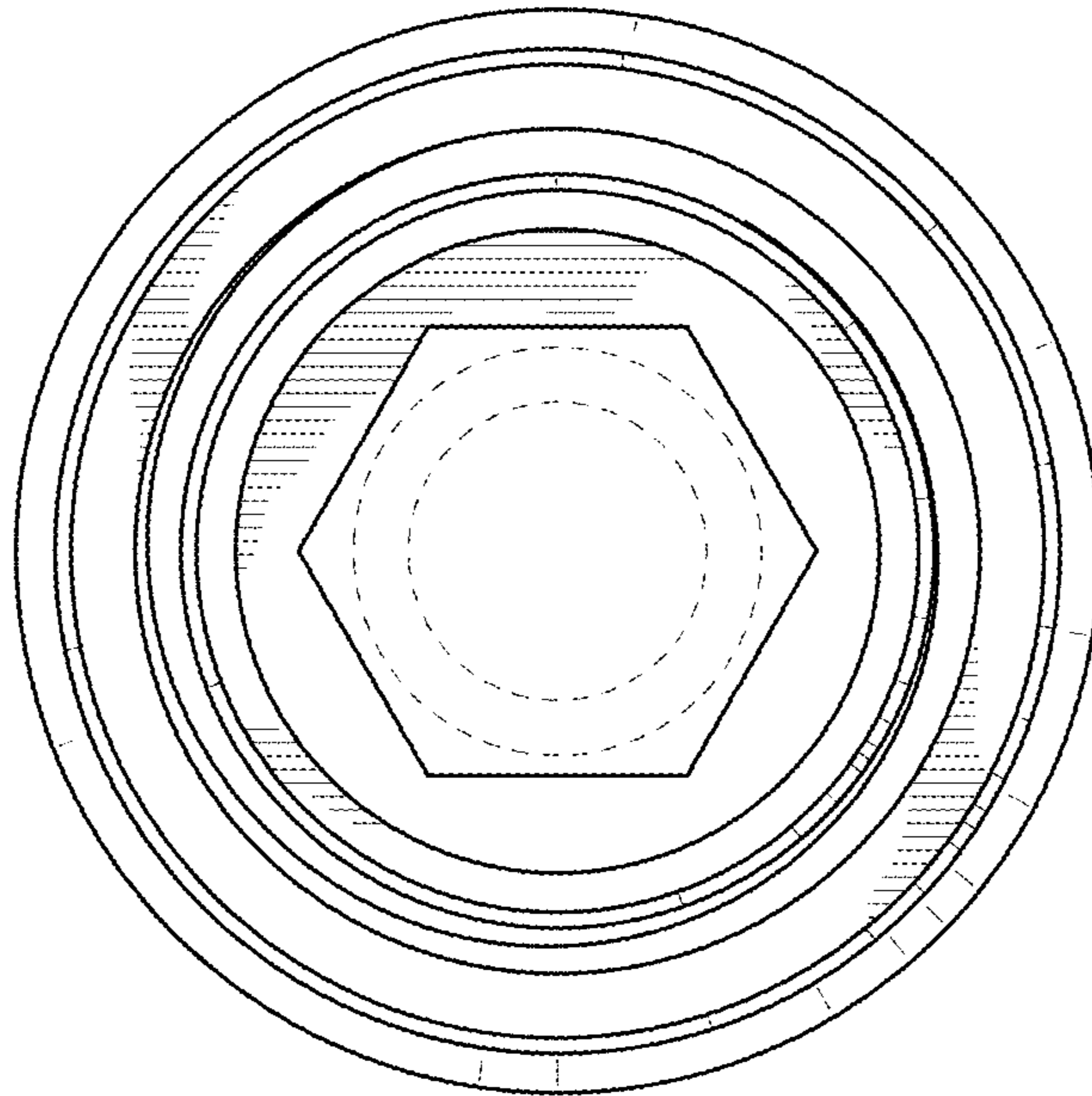


**FIG. 5**

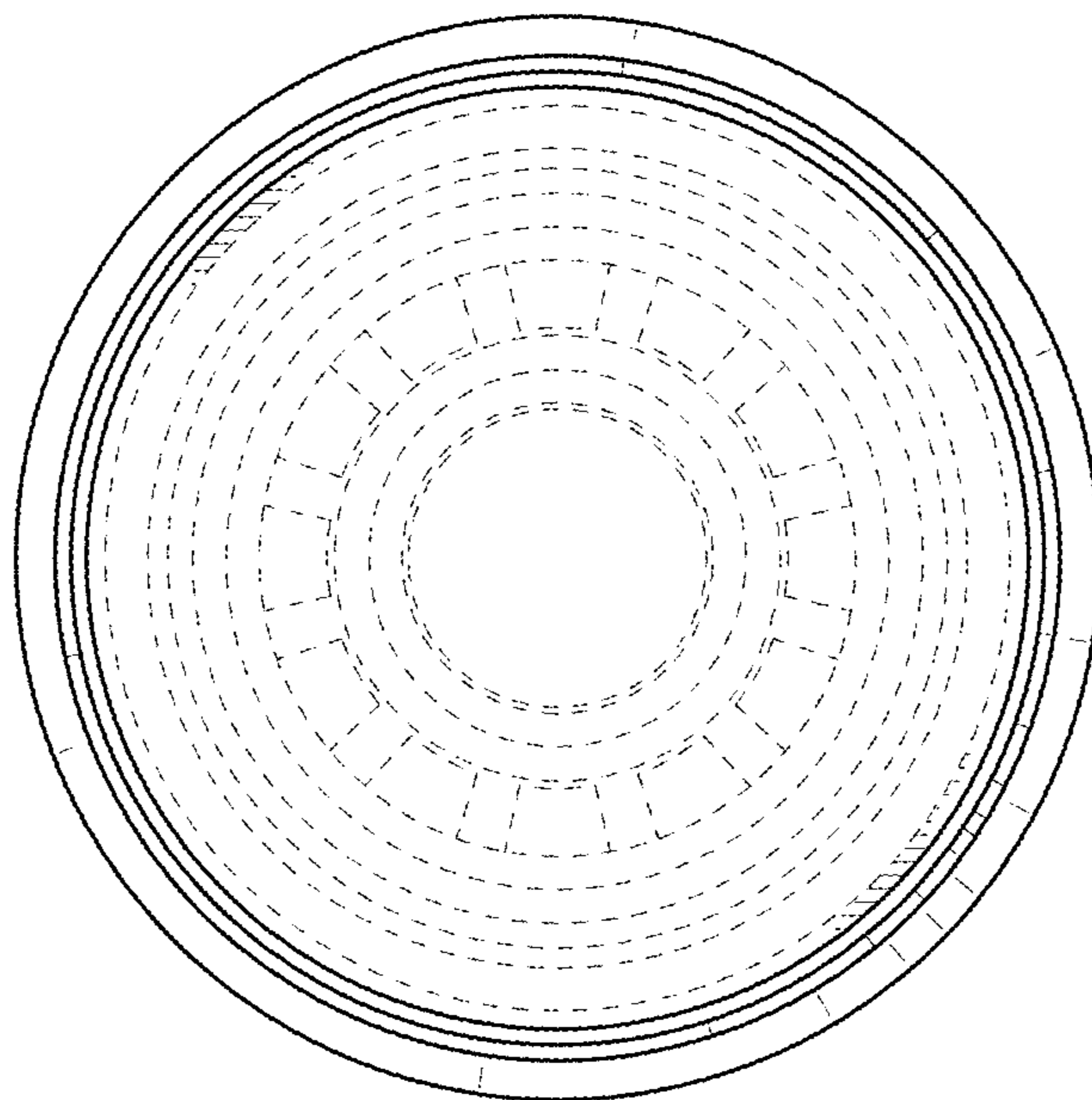


**FIG. 6**

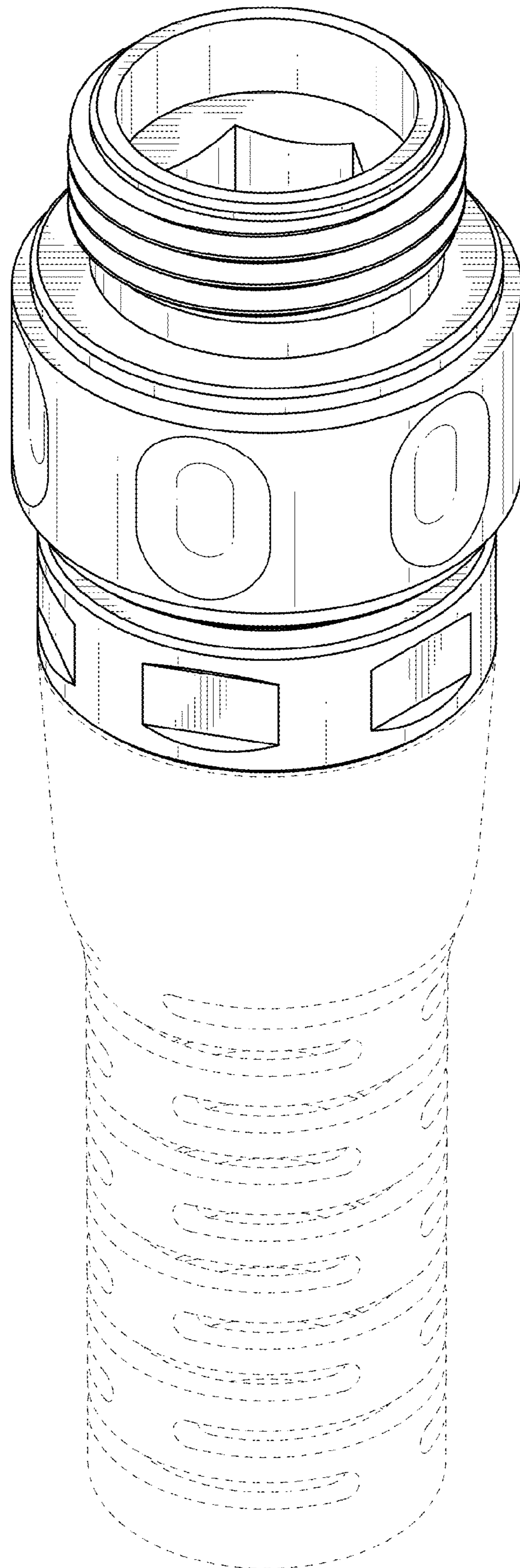




**FIG. 7**



**FIG. 8**



**FIG. 9**