



US00D923154S

(12) **United States Design Patent**
Wright et al.

(10) **Patent No.:** **US D923,154 S**

(45) **Date of Patent:** **** Jun. 22, 2021**

(54) **SPA FILTER COVER**

(71) Applicant: **Hydropool Inc.**, Mississauga (CA)

(72) Inventors: **William J. Wright**, Orangeville (CA);
Nicolae Badita, Brampton (CA)

(73) Assignee: **Hydropool Inc.**

(**) Term: **15 Years**

(21) Appl. No.: **29/693,614**

(22) Filed: **Jun. 4, 2019**

(51) **LOC (13) Cl.** **23-01**

(52) **U.S. Cl.**
USPC **D23/261**

(58) **Field of Classification Search**
USPC D23/206–207, 209–210, 259–261, 303,
D23/307, 363, 365, 386–387, 391;
D32/25; 210/167.18–167.19, 167.2;
4/292, 496–497, 507–508, 510, 512–513,
4/541.3, 904

See application file for complete search history.

(56) **References Cited**

U.S. PATENT DOCUMENTS

D319,295 S * 8/1991 Ohaus D23/261
D466,198 S * 11/2002 Mullings D23/261
6,989,094 B2 * 1/2006 Knapp E04H 4/1272
210/167.19
7,178,179 B2 * 2/2007 Barnes A61H 33/6073
4/292
D606,174 S * 12/2009 Martin D23/261
D621,009 S * 8/2010 Mjelde D23/261

7,820,041 B2 * 10/2010 Hilton E04H 4/1236
210/163
D629,875 S * 12/2010 Sears D23/261
D669,155 S * 10/2012 Bryan D23/209
D670,363 S * 11/2012 Yousufzai D23/261
D803,992 S * 11/2017 Huber E03F 5/06
D23/261
2003/0213059 A1 * 11/2003 Mattson, Jr. A61H 33/6073
4/541.1
2010/0140192 A1 * 6/2010 Hilton A61H 33/6073
210/805

* cited by examiner

Primary Examiner — Amy C Wierenga

(74) *Attorney, Agent, or Firm* — Lorelei G. Graham

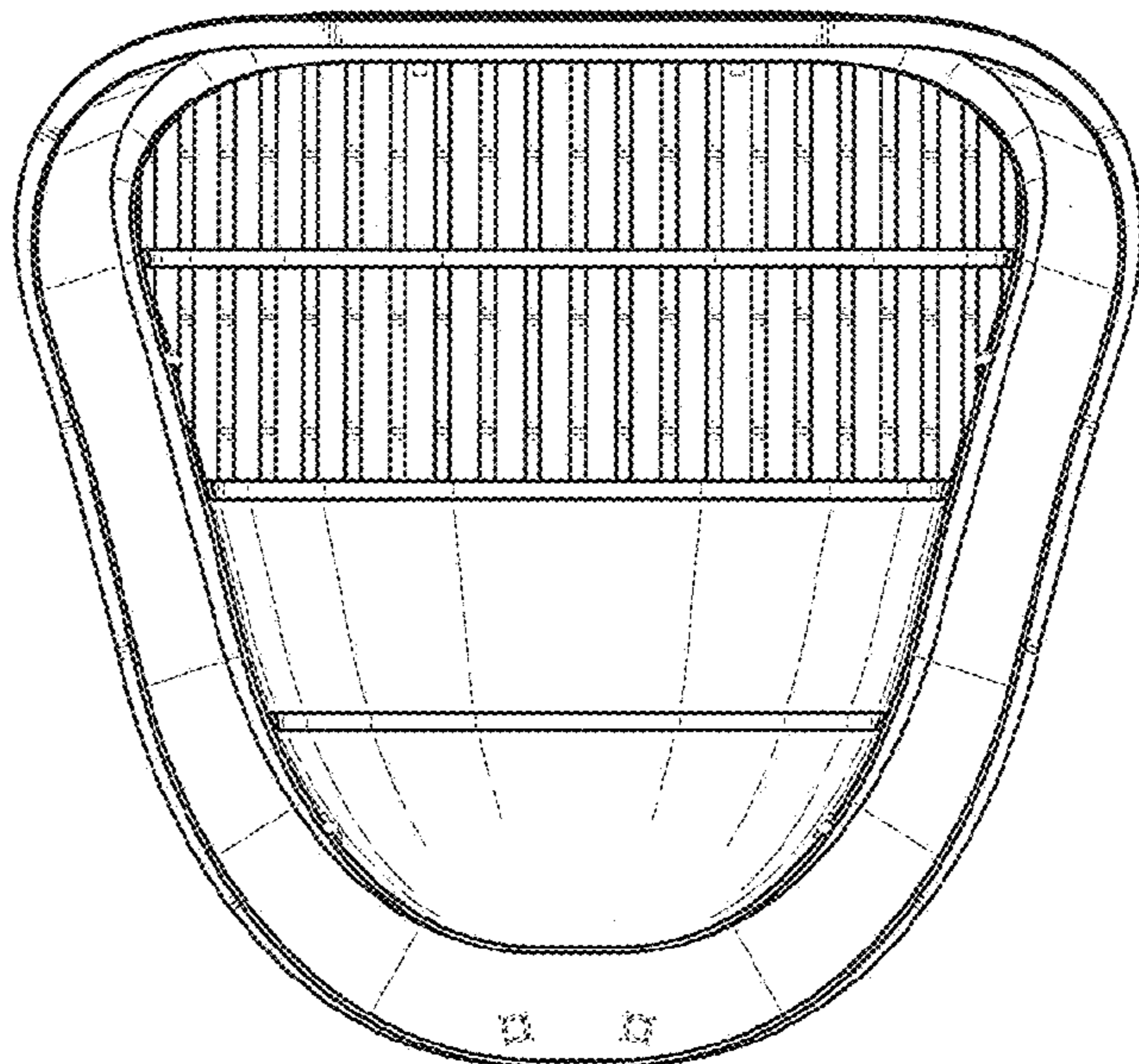
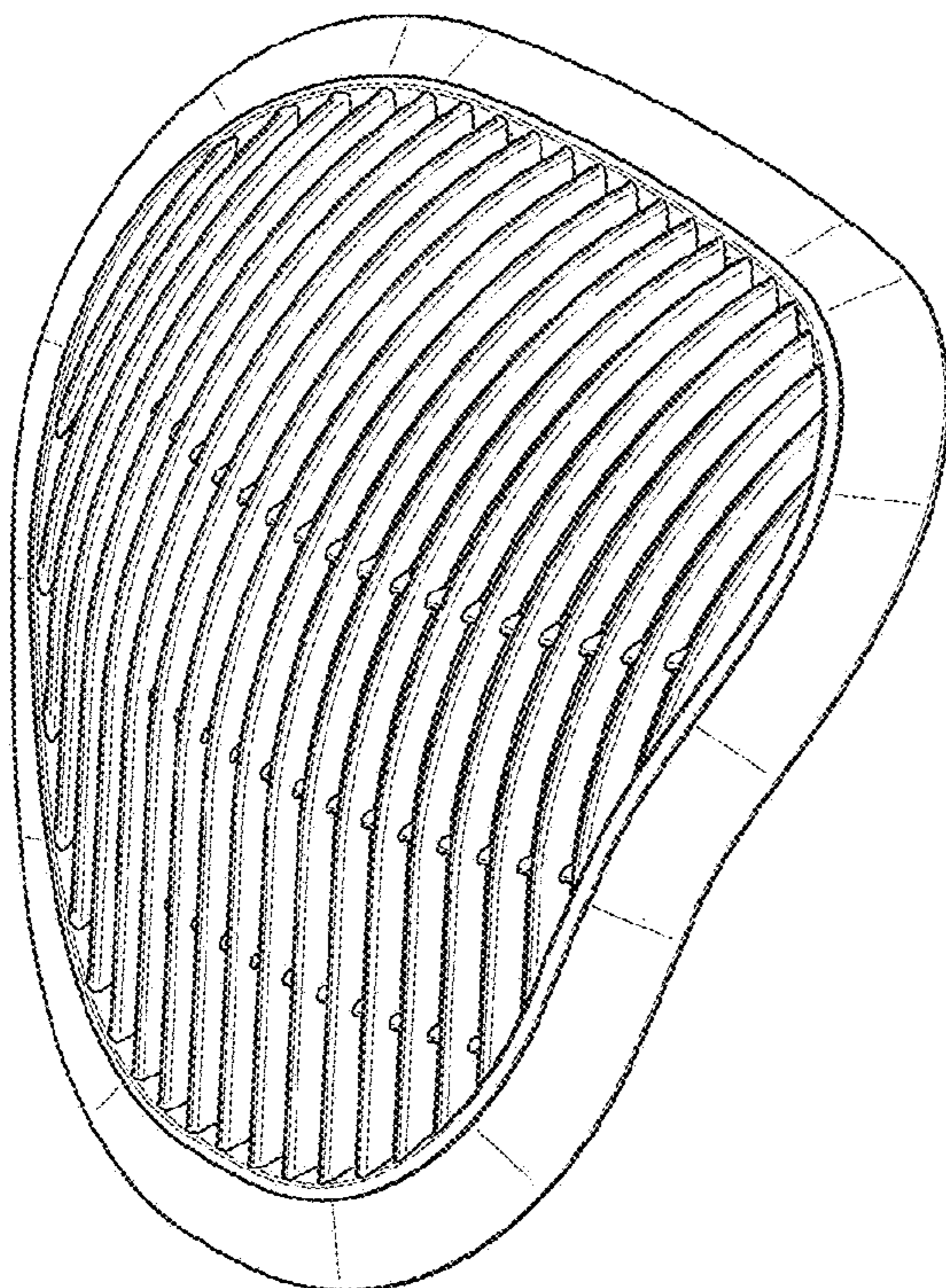
(57) **CLAIM**

The ornamental design for the spa filter cover, as shown and described.

DESCRIPTION

FIG. 1 is a front perspective view of the spa filter cover.
FIG. 2 is a front view of the spa filter cover.
FIG. 3 is a rear view of the spa filter cover.
FIG. 4 is a right side view of the spa filter cover.
FIG. 5 is a left side view of the spa filter cover.
FIG. 6 is a top view of the spa filter cover; and,
FIG. 7 is a bottom view of the spa filter cover.
The portions shown in broken lines do not form part of the claimed design.

1 Claim, 7 Drawing Sheets



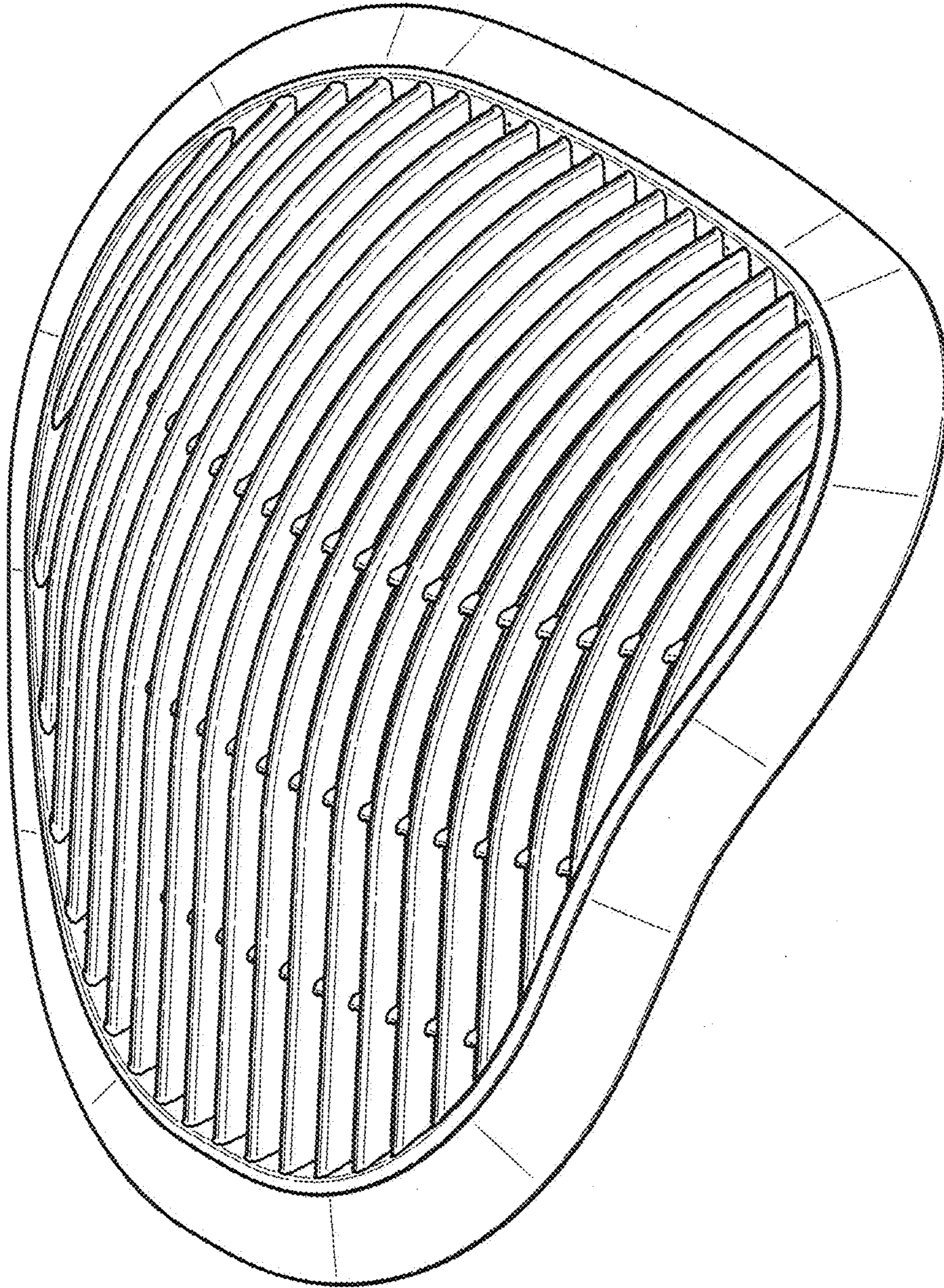


FIG. 1

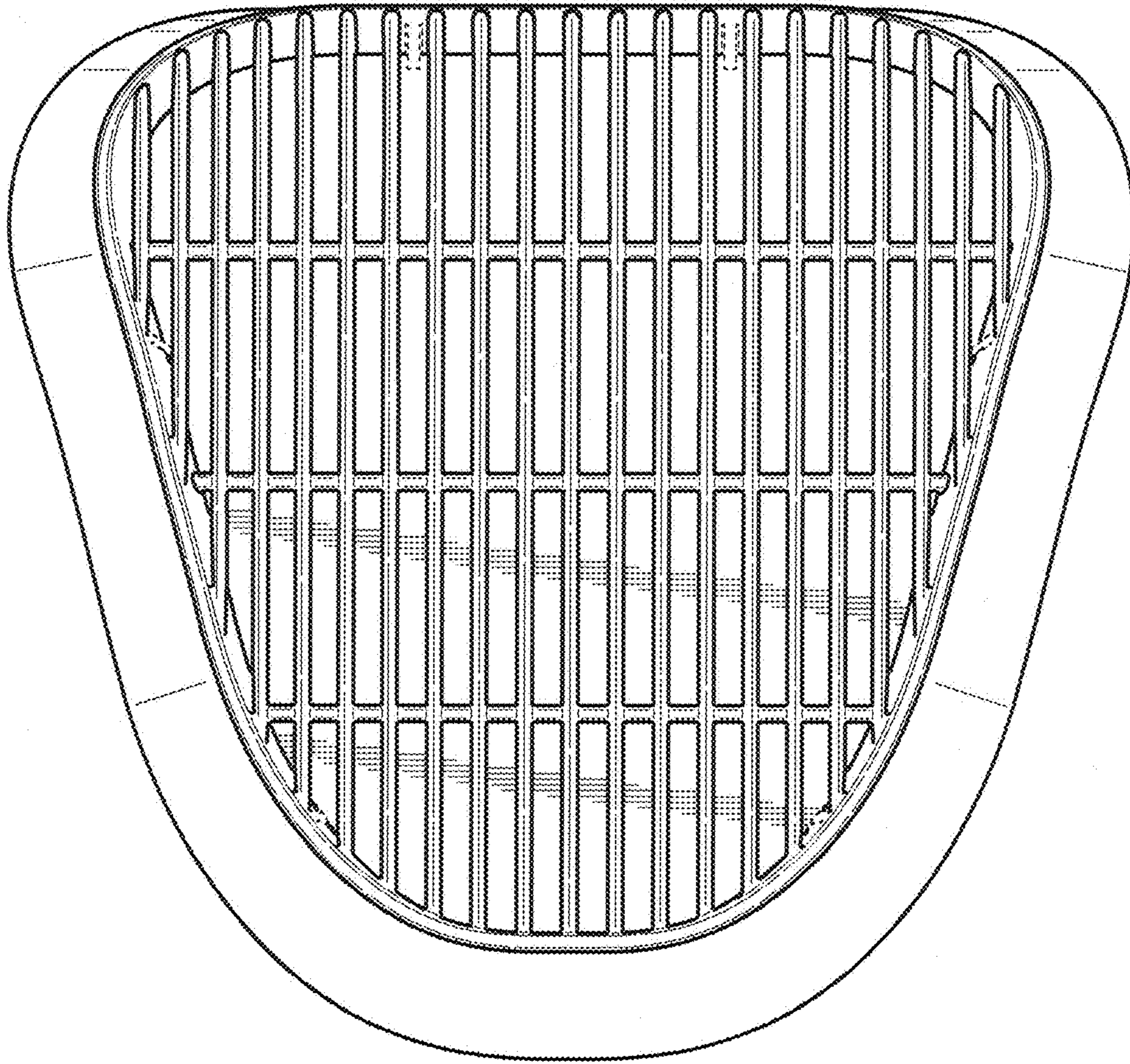


FIG. 2

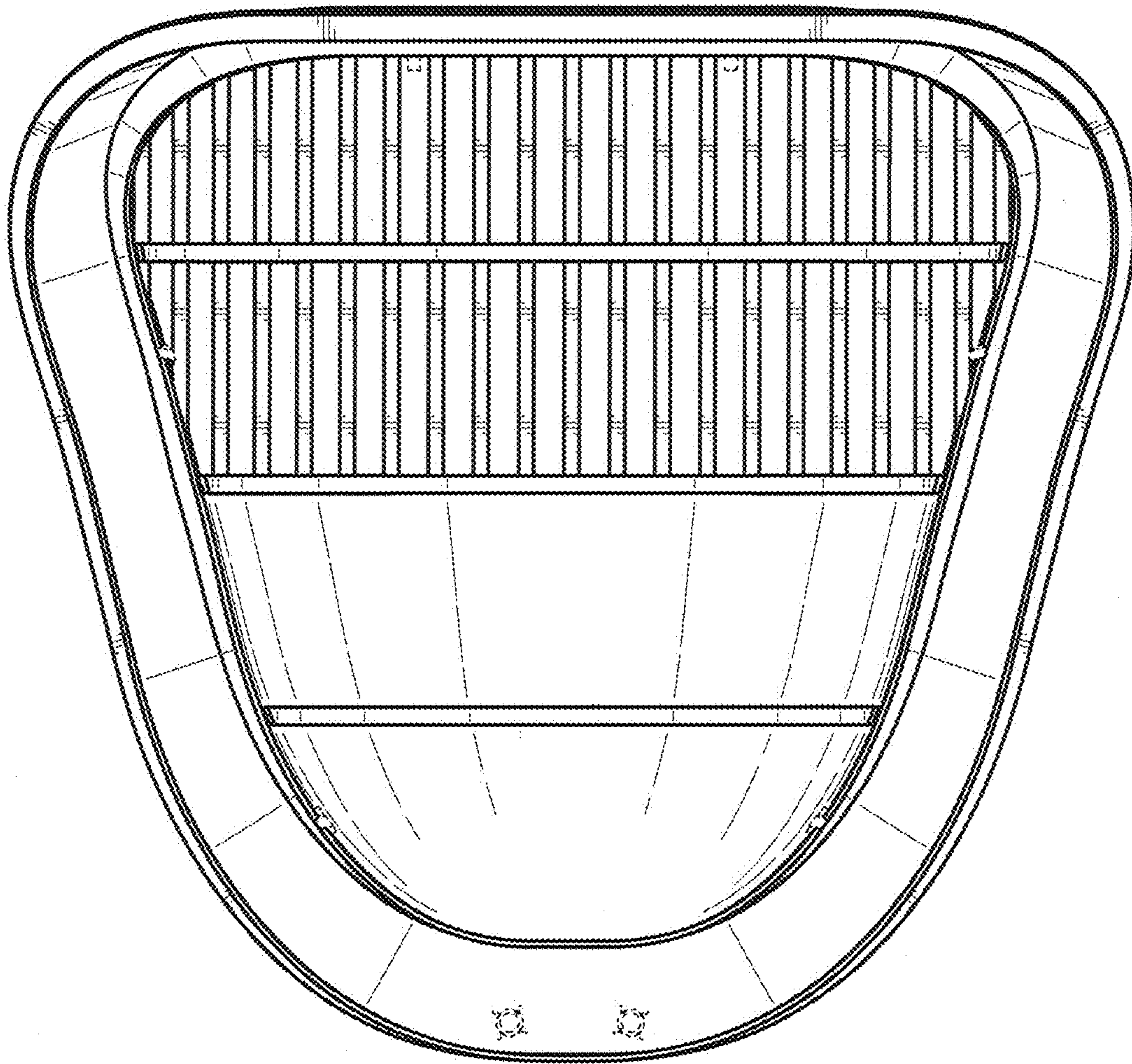


FIG. 3

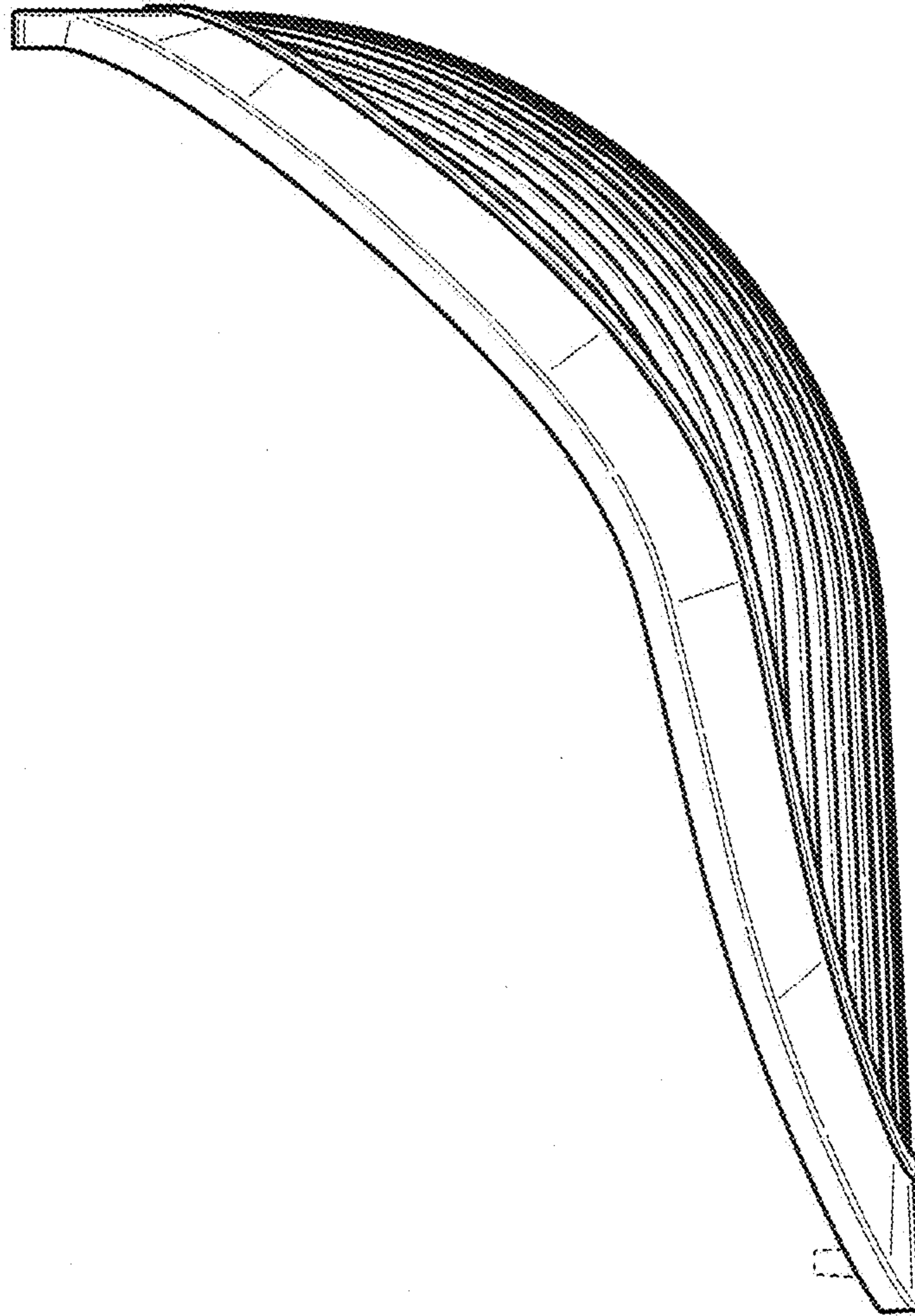


FIG. 4

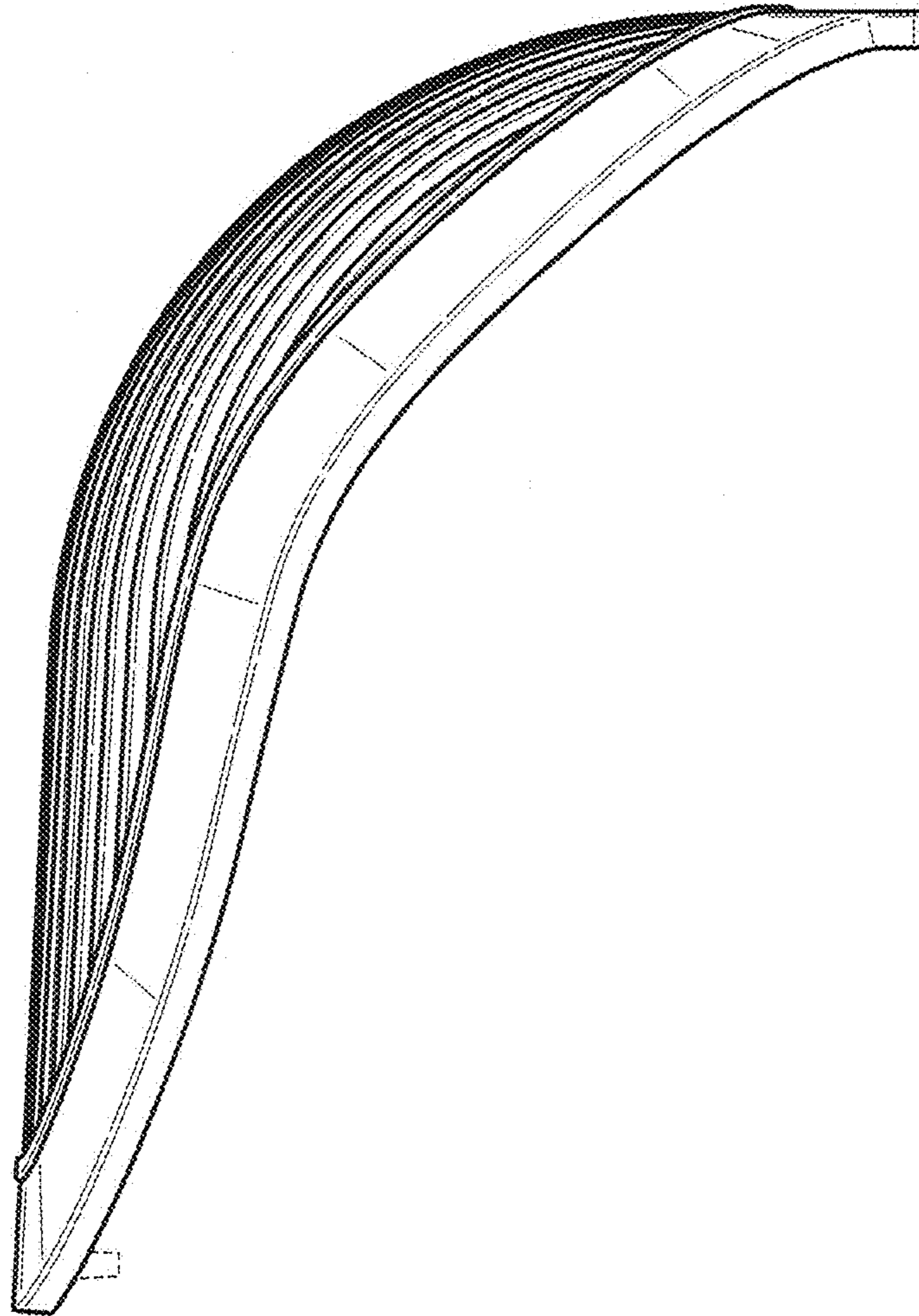


FIG. 5

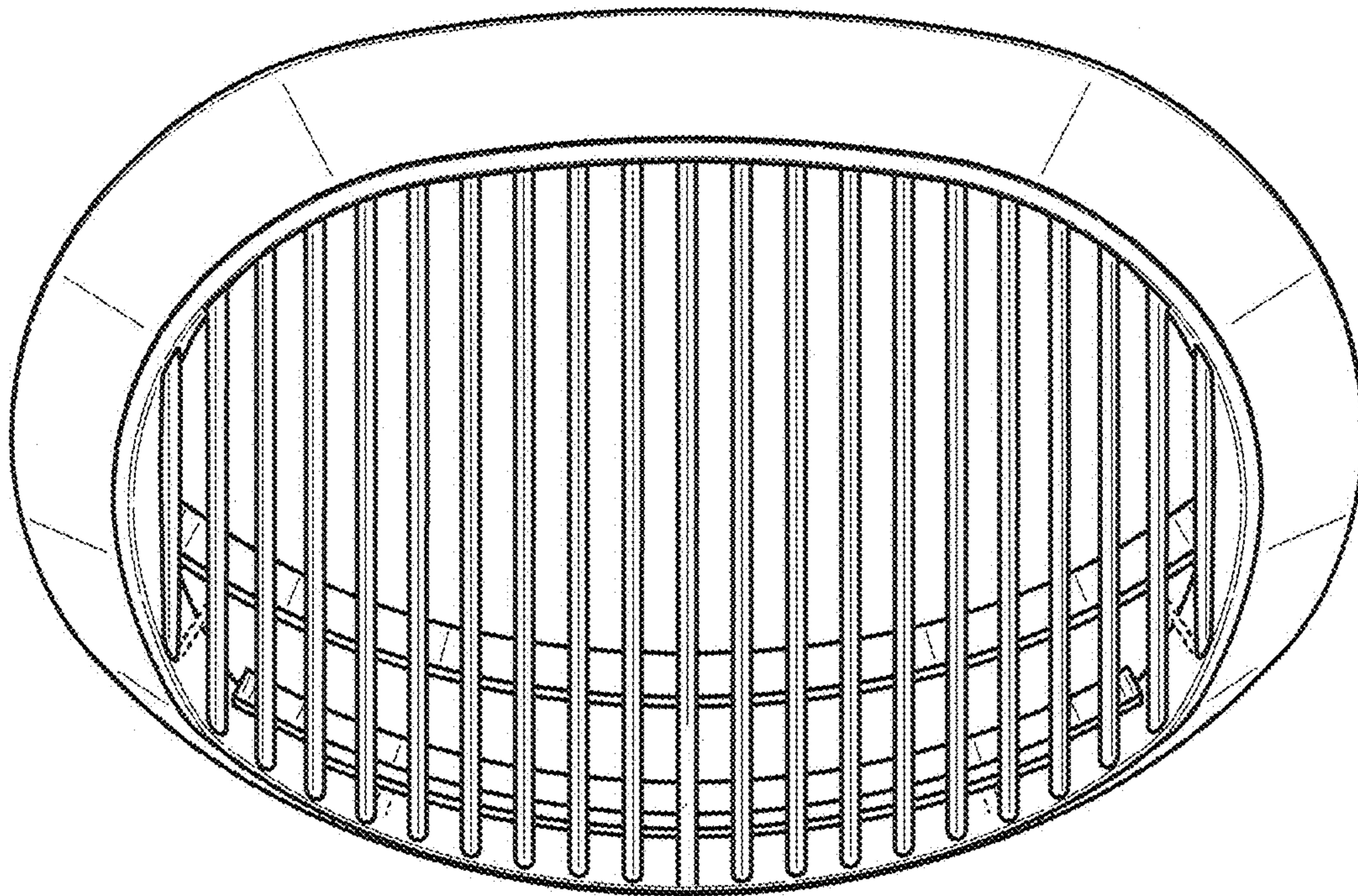


FIG. 6

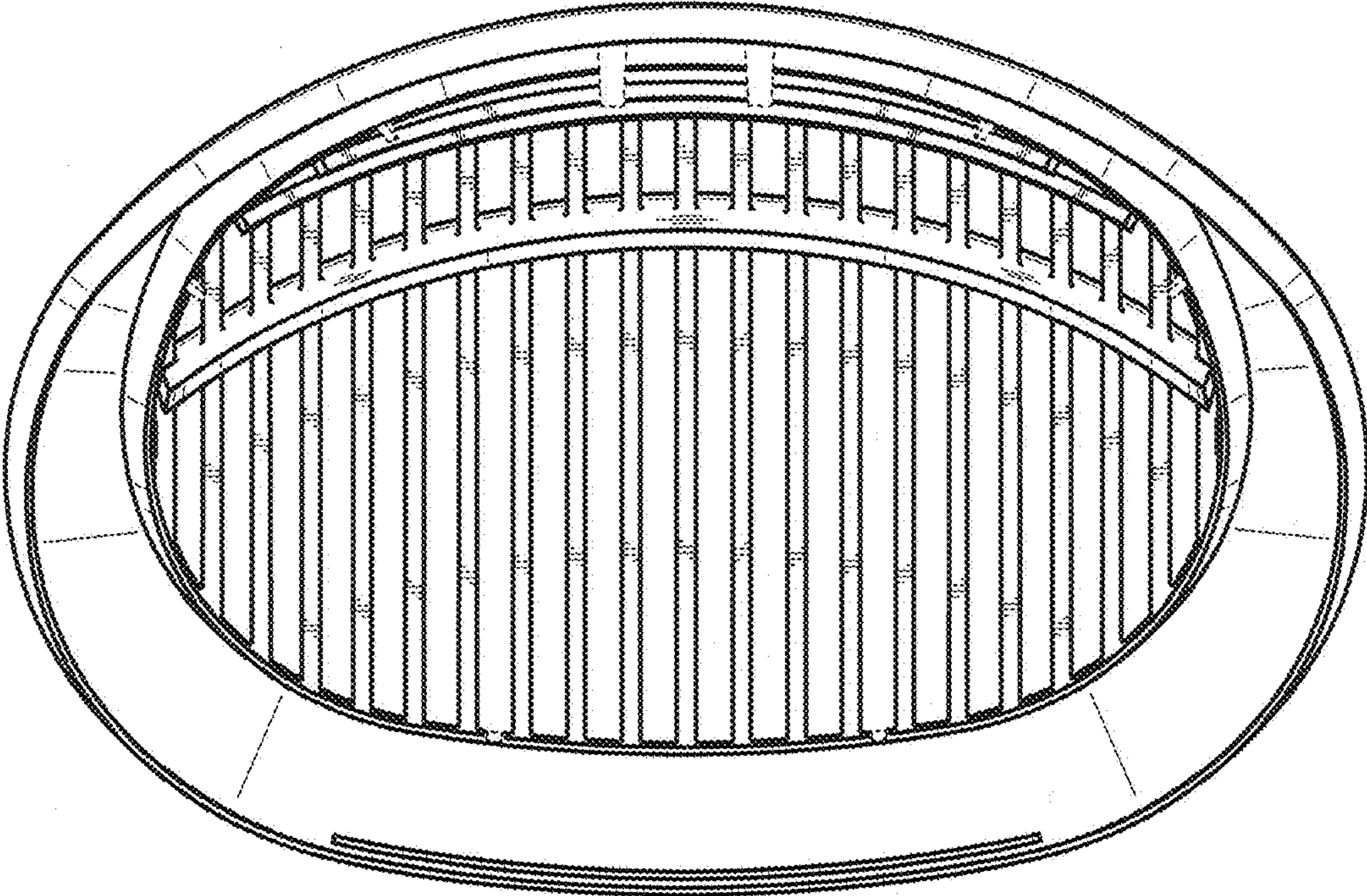


FIG. 7