



US00D923152S

(12) **United States Design Patent** (10) **Patent No.:** **US D923,152 S**
Gessi (45) **Date of Patent:** **** Jun. 22, 2021**

(54) **CONTROL DEVICE FOR LIQUID DISTRIBUTION EQUIPMENT**
(71) Applicant: **GESSI S.P.A.**, Serravalle Sesia (IT)
(72) Inventor: **Gian Luca Gessi**, Serravalle Sesia (IT)
(73) Assignee: **GESSI S.P.A.**, Serravalle Sesia (IT)
(**) Term: **15 Years**
(21) Appl. No.: **29/692,722**
(22) Filed: **May 28, 2019**
(51) **LOC (13) Cl.** **23-01**
(52) **U.S. Cl.**
USPC **D23/254**
(58) **Field of Classification Search**
USPC D23/250, 252, 254, 238-243, 249;
D8/307-308, 310, 353; D14/198, 257,
D14/492, 489; D10/102
CPC E03C 1/0408; E03C 1/09; E03C 1/042;
E03C 1/0412
See application file for complete search history.

(56) **References Cited**
U.S. PATENT DOCUMENTS
D226,009 S * 1/1973 Tominaga D14/198
D269,434 S * 6/1983 Nagele D14/258
D311,920 S * 11/1990 Fuller D14/257
D534,628 S * 1/2007 Chisenhall D12/192

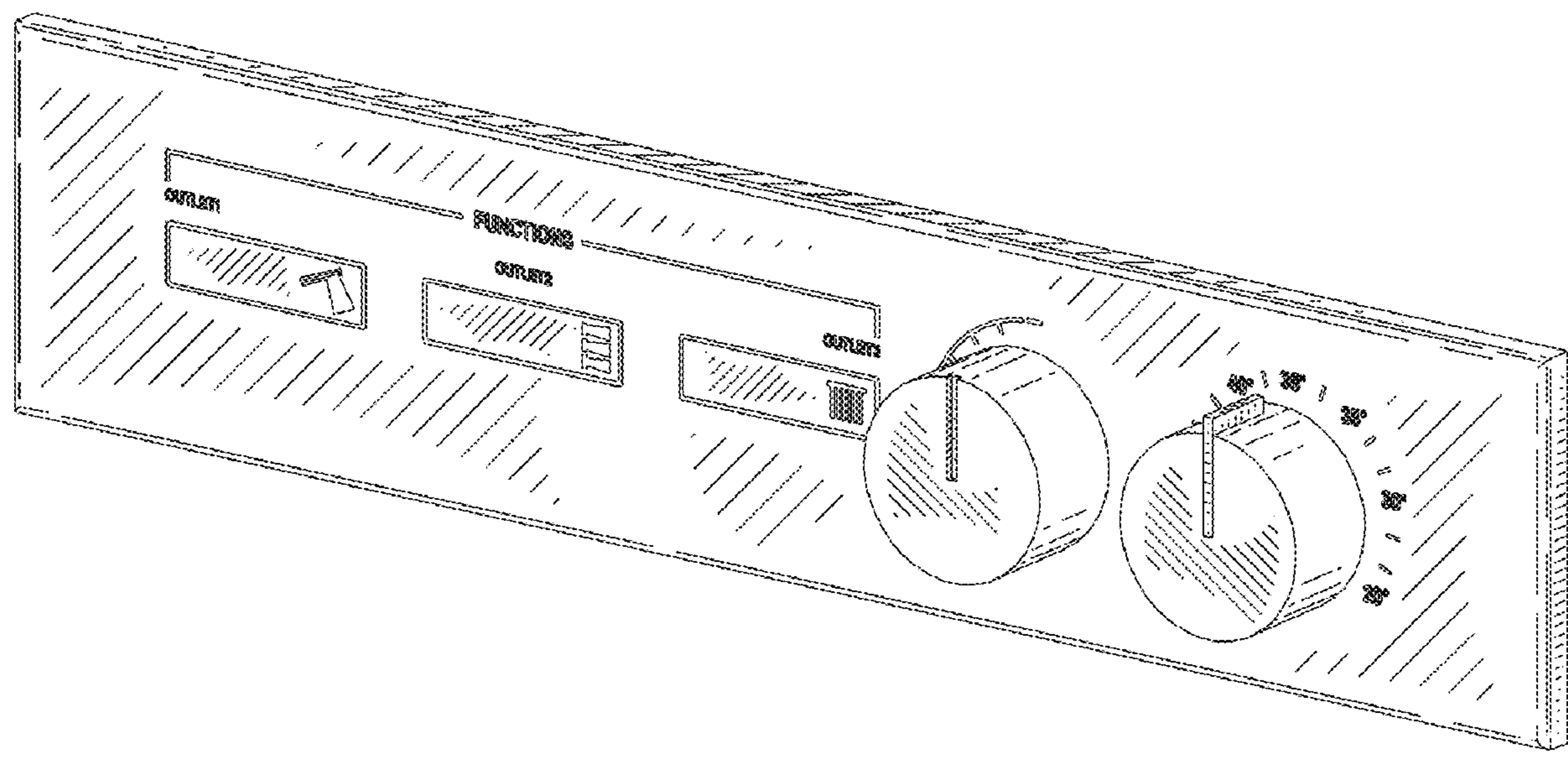
D579,519 S * 10/2008 Sieger D23/238
D704,028 S * 5/2014 Meda D8/310
D764,028 S * 8/2016 Schoenherr D23/255
D784,494 S * 4/2017 Wang D23/239
D813,993 S * 3/2018 Schoenherr D23/254
D813,994 S * 3/2018 Schoenherr D23/254
D813,995 S * 3/2018 Schoenherr D23/254
D816,190 S * 4/2018 Schoenherr D23/254
D900,854 S * 11/2020 Shah D14/486
D904,570 S * 12/2020 Soulier D23/250

* cited by examiner
Primary Examiner — Robert A Delehanty
(74) *Attorney, Agent, or Firm* — Underwood & Associates, LLC

(57) **CLAIM**
The ornamental design for a control device for liquid distribution equipment, as shown and described.

DESCRIPTION
FIG. 1 is a perspective view of a control device for liquid distribution equipment;
FIG. 2 is a top view thereof;
FIG. 3 is a front elevation view thereof;
FIG. 4 is a right side elevation view thereof;
FIG. 5 is a left side elevation view thereof; and,
FIG. 6 is a bottom view thereof.
The rear side opposite the front side is flat and unornamented.

1 Claim, 6 Drawing Sheets



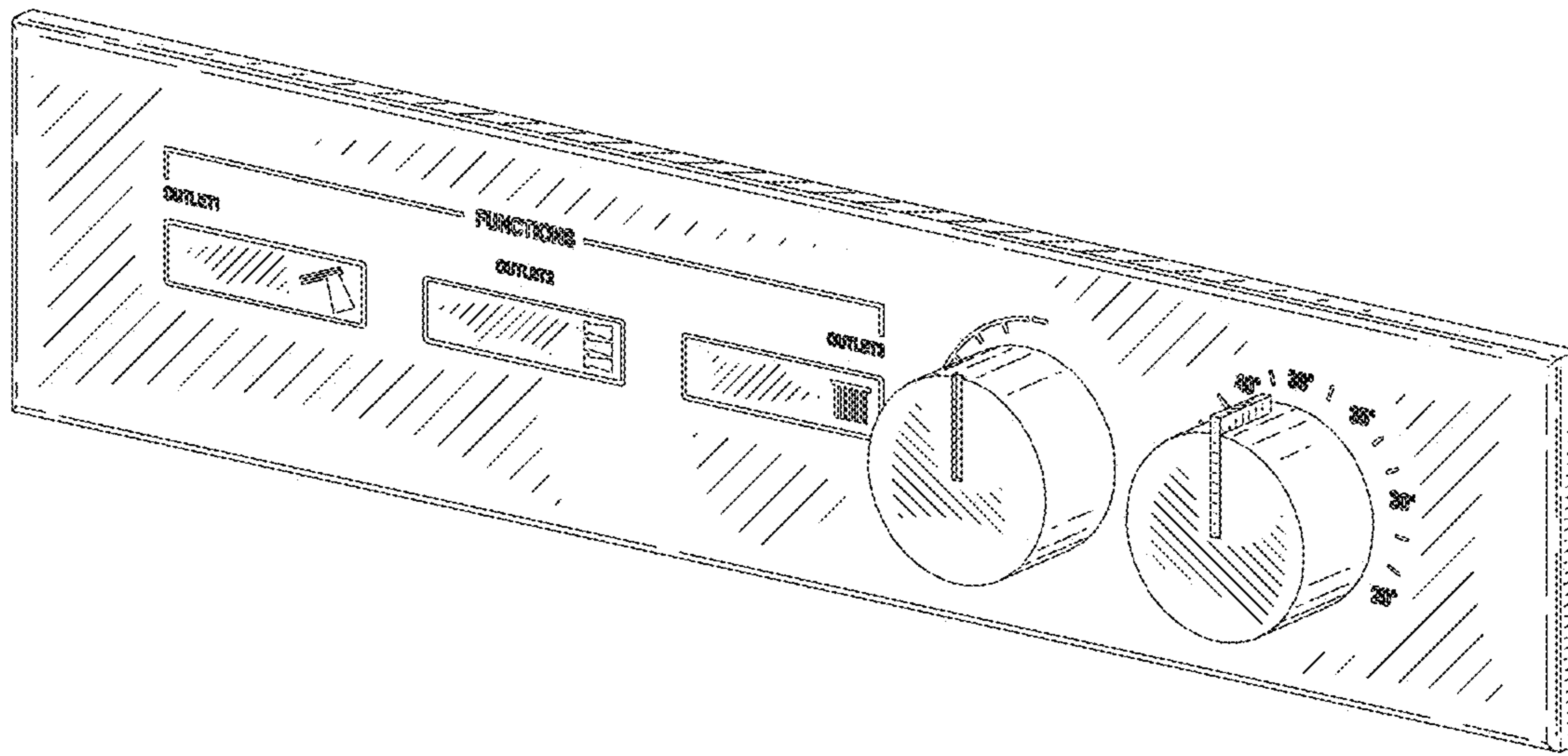


FIG.1

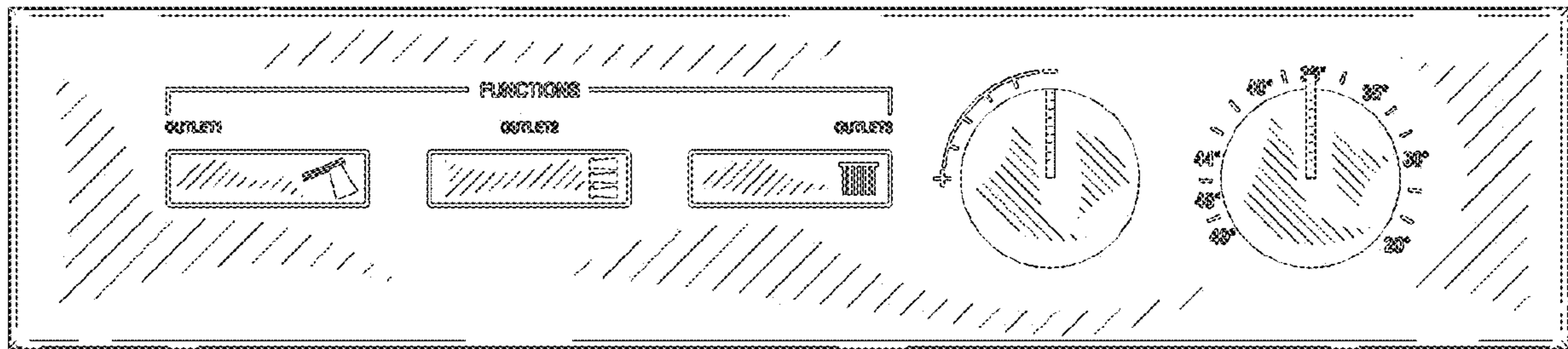


FIG.2

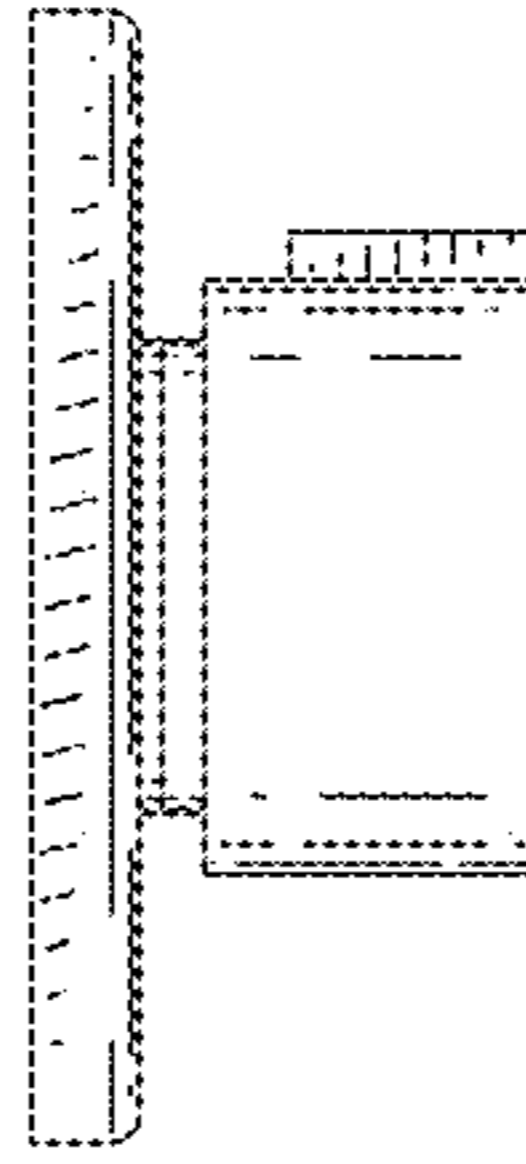


FIG.3

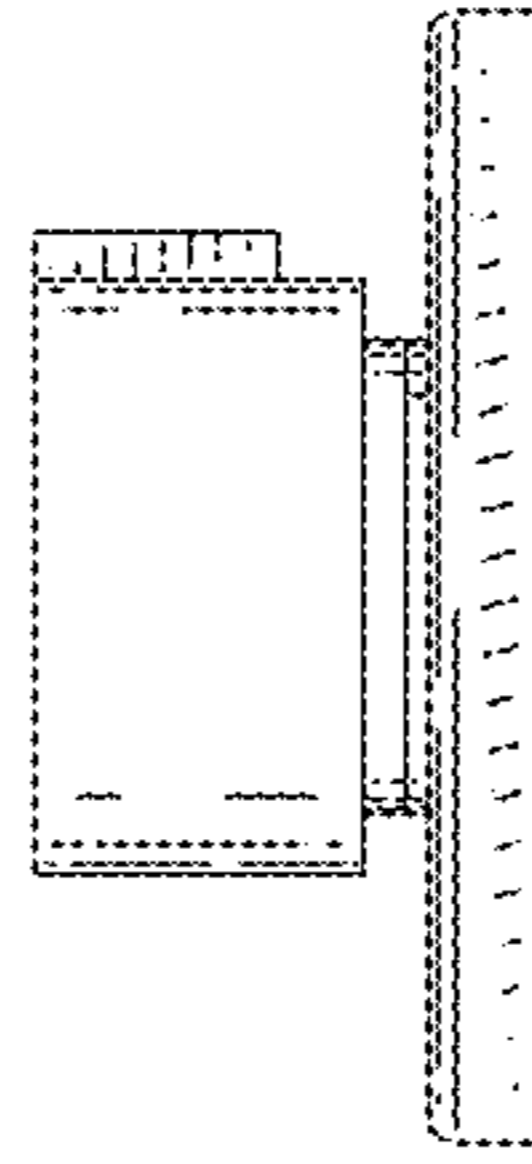


FIG.4

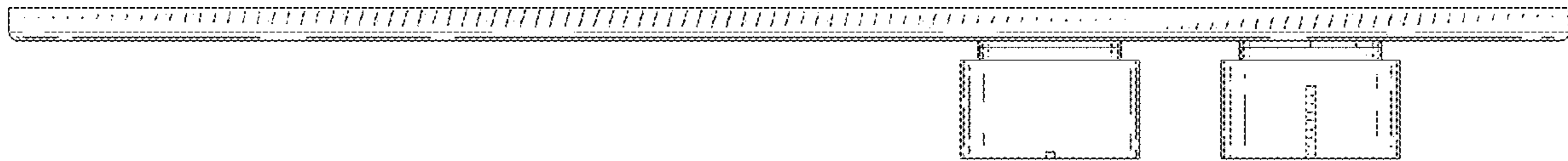


FIG.5

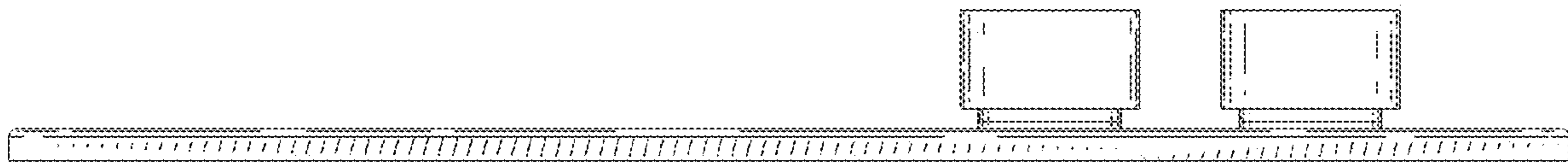


FIG.6