



US00D923148S

(12) **United States Design Patent**
Lazarini

(10) **Patent No.:** **US D923,148 S**

(45) **Date of Patent:** **** Jun. 22, 2021**

(54) **FAUCET**

(71) Applicant: **DELTA FAUCET COMPANY,**
Indianapolis, IN (US)

(72) Inventor: **Alejandra Lazarini,** Carmel, IN (US)

(73) Assignee: **DELTA FAUCET COMPANY,**
Indianapolis, IN (US)

(**) Term: **15 Years**

(21) Appl. No.: **29/719,702**

(22) Filed: **Jan. 7, 2020**

(51) **LOC (13) Cl.** **23-01**

(52) **U.S. Cl.**
USPC **D23/238**

(58) **Field of Classification Search**
USPC D23/238-244, 252, 254-255, 257;
D8/307-308
CPC F16K 31/602; F16K 31/605; F16K 31/607;
E03C 1/0412

See application file for complete search history.

(56) **References Cited**

U.S. PATENT DOCUMENTS

D610,653 S *	2/2010	Schoenherr	D23/238
D807,476 S *	1/2018	Haug	D23/238
D822,170 S *	7/2018	Haug	D23/238
D835,236 S *	12/2018	Ziemann	D23/238
D849,201 S *	5/2019	Zhang	D23/238
D862,651 S *	10/2019	Zeng	D23/238
D867,534 S *	11/2019	Lazarini	D23/238
D868,211 S *	11/2019	Garland	D23/238
D868,938 S *	12/2019	Tentler	D23/238
D868,939 S *	12/2019	Bahler	D23/238
D869,610 S *	12/2019	Garland	D23/238
D872,234 S *	1/2020	Staler	D23/238
D872,240 S *	1/2020	Bahler	D23/255
D873,380 S *	1/2020	Judge	D23/238

D873,960 S *	1/2020	Fritz	D23/238
D875,215 S *	2/2020	Bahler	D23/238
D875,218 S *	2/2020	Chen	D23/255
D890,302 S *	7/2020	Chen	D23/238

FOREIGN PATENT DOCUMENTS

CN 304817718 * 8/2018

OTHER PUBLICATIONS

Moen S53004 Weymouth Shepherd's Hook Pulldown Kitchen Bar Faucet Featuring Metal Wand with Power Clean, announced Dec. 17, 2018[online], [site visited Feb. 9, 2021], Available from internet, URL:< <https://www.amazon.com/Moen-S53004NL-Weymouth-Shepherds-Featuring/dp/B07PZDPK11?th=1> > (Year: 2018).*

* cited by examiner

Primary Examiner — Barbara Fox

Assistant Examiner — Jamaal Rasheed

(74) *Attorney, Agent, or Firm* — Nirav D. Parikh; Edgar A. Zarins

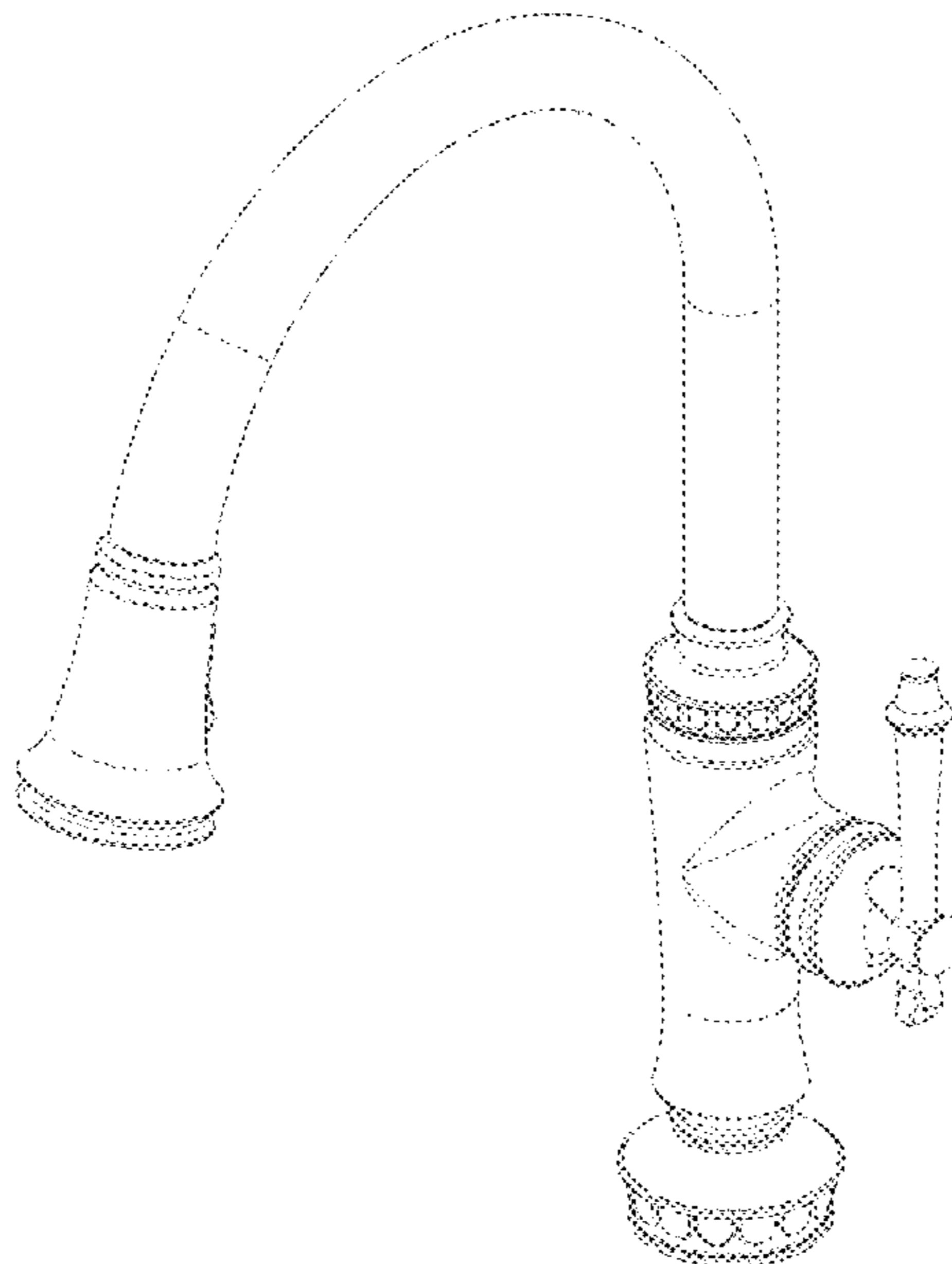
(57) **CLAIM**

The ornamental design for a faucet, as shown and described.

DESCRIPTION

FIG. 1 is a front perspective view of a faucet showing my new design;
FIG. 2 is a rear perspective view thereof;
FIG. 3 is a front elevational view thereof;
FIG. 4 is a left side view thereof;
FIG. 5 is a rear view thereof;
FIG. 6 is a right side view thereof;
FIG. 7 is a top plan view thereof; and,
FIG. 8 is a bottom view thereof.

1 Claim, 4 Drawing Sheets



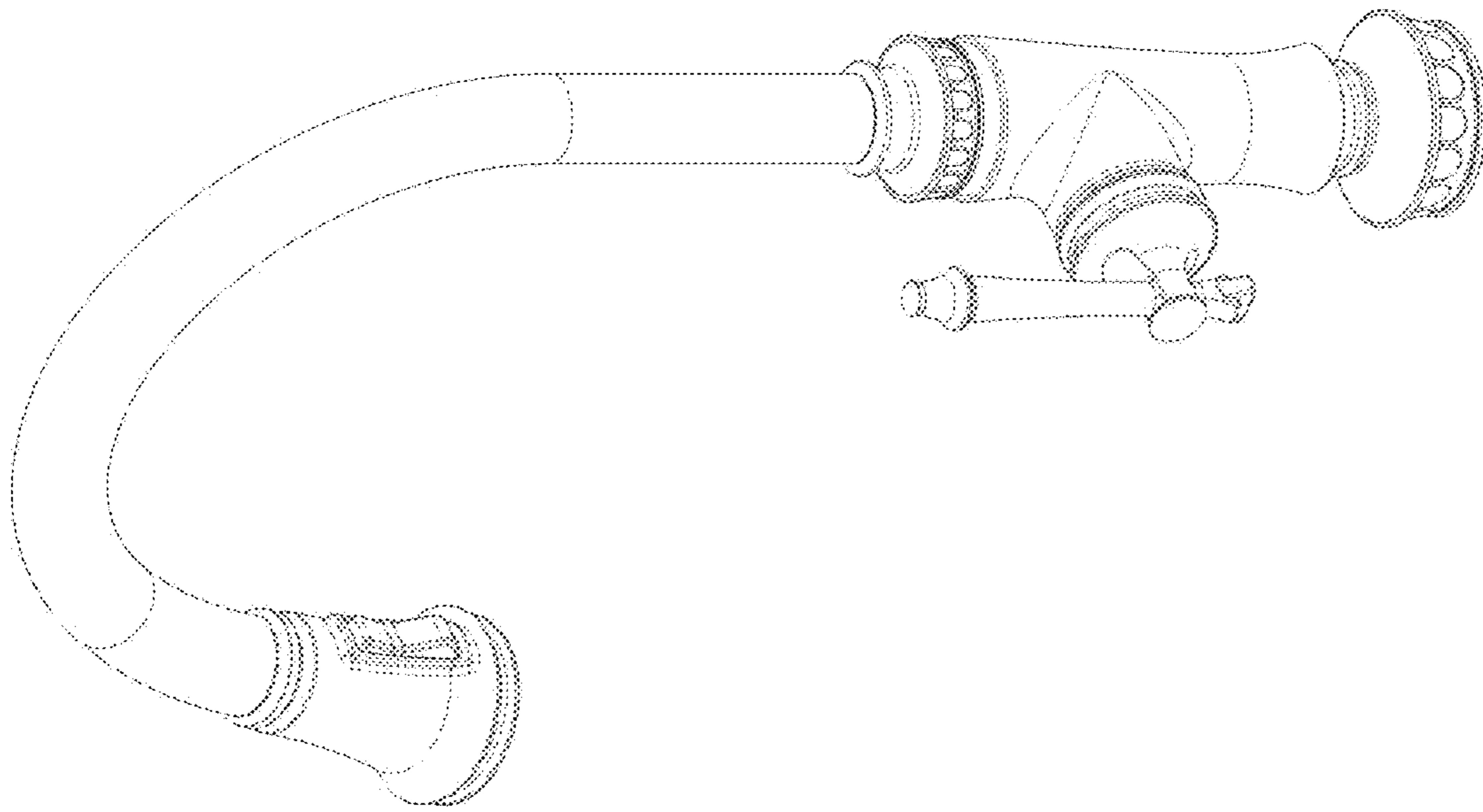


FIG. 1 - 2

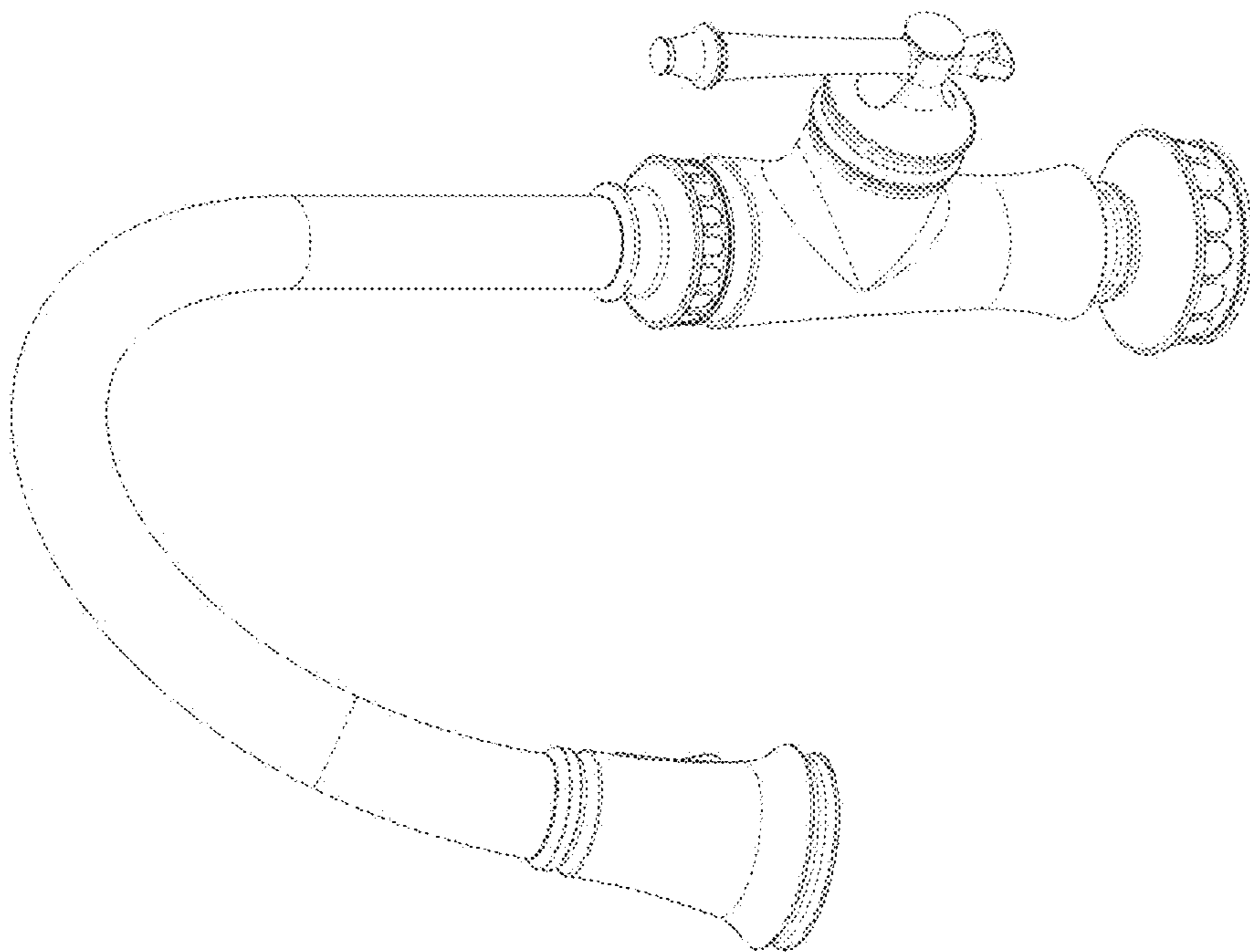


FIG. 1 - 1

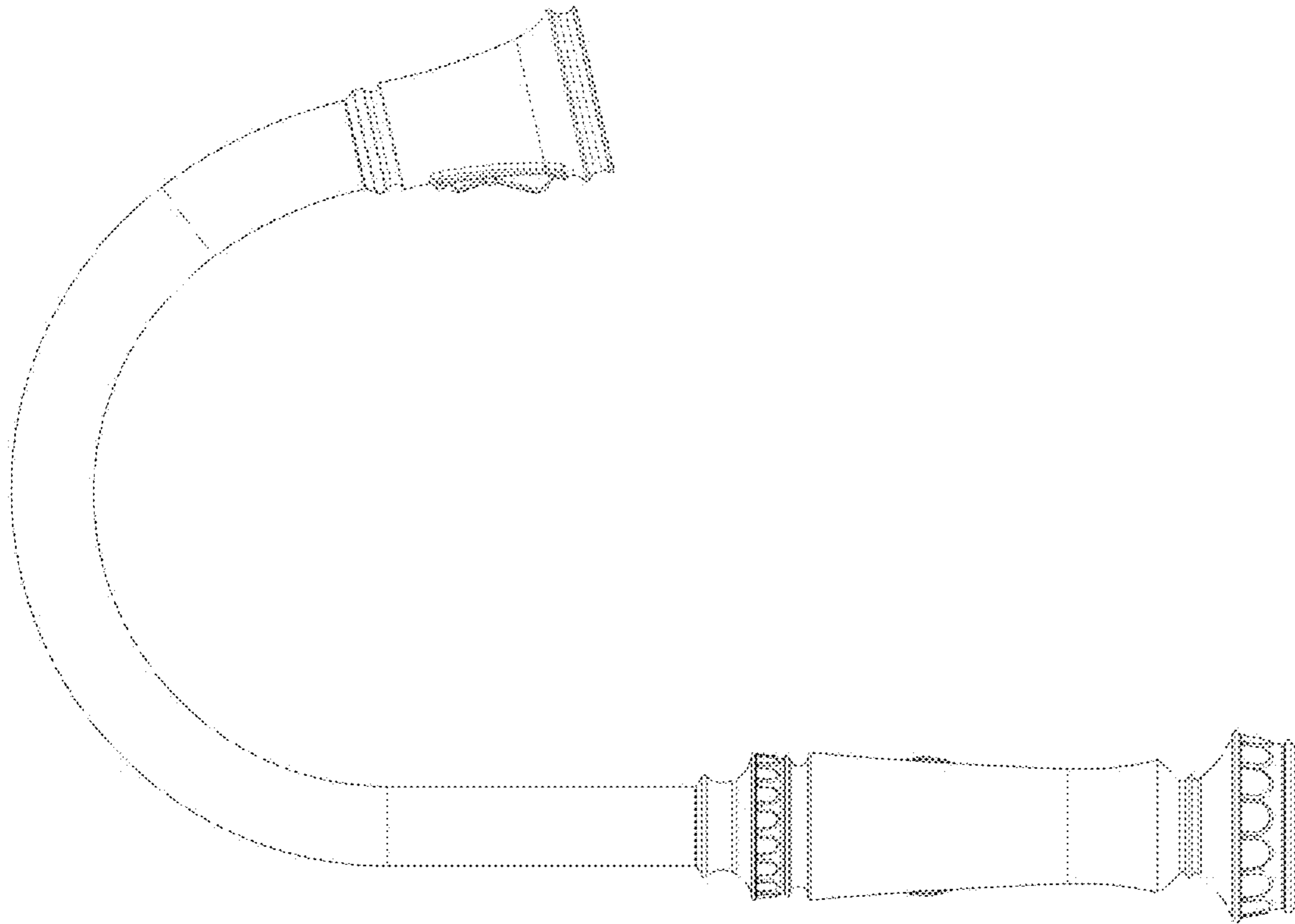


FIG. 4

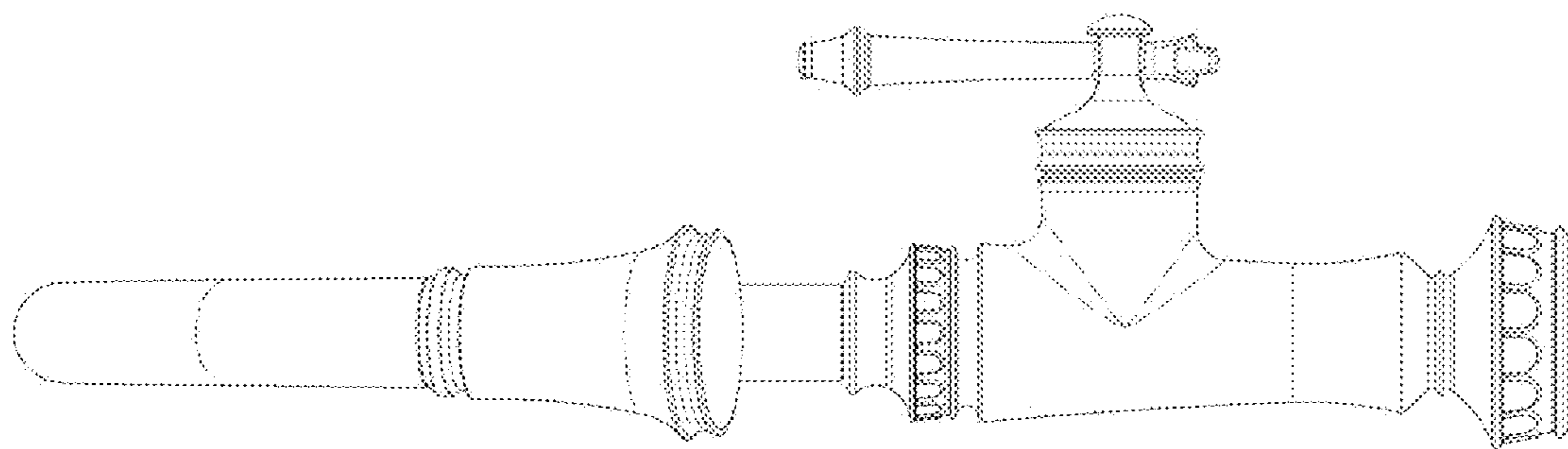


FIG. 3

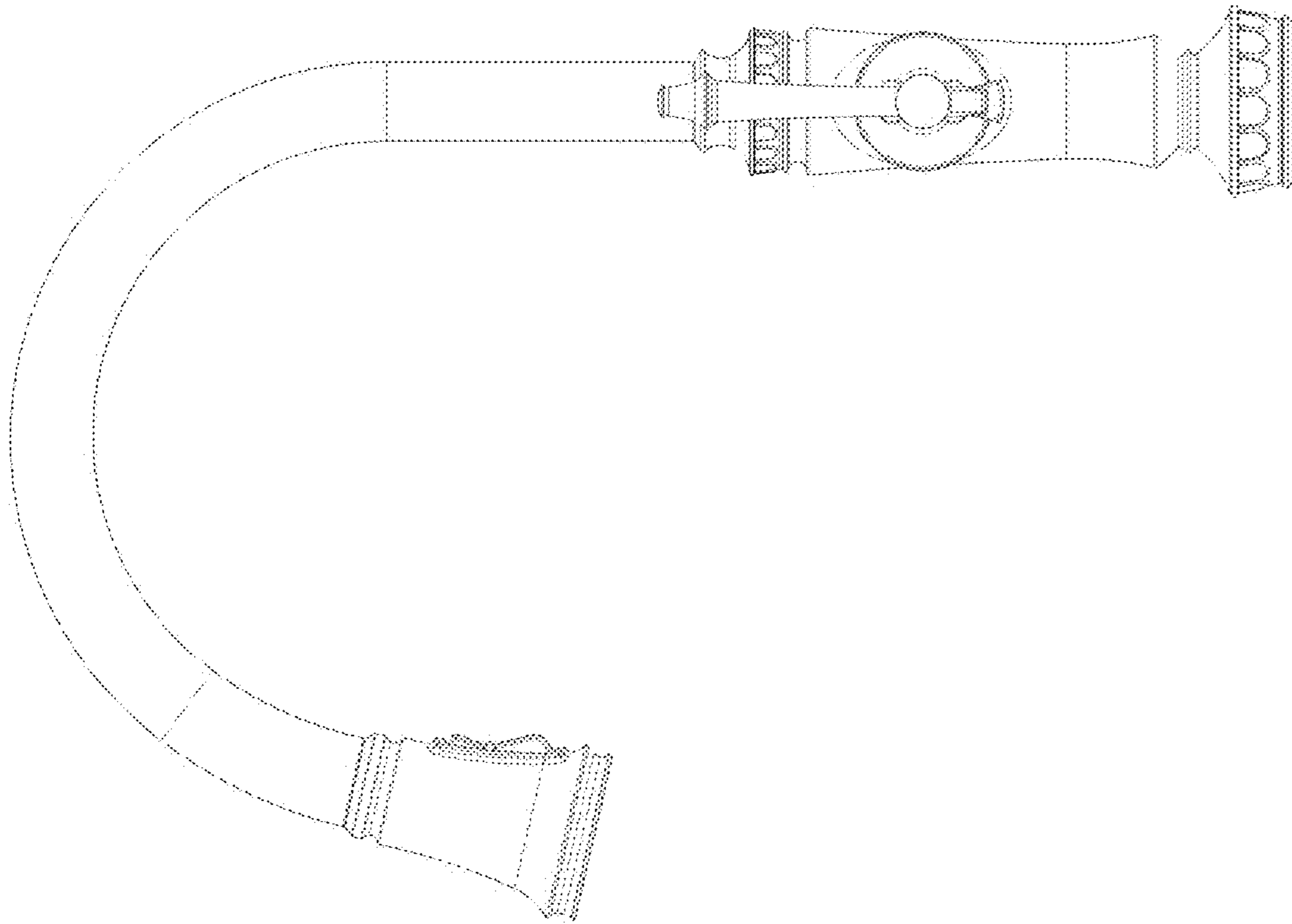


FIG. 9

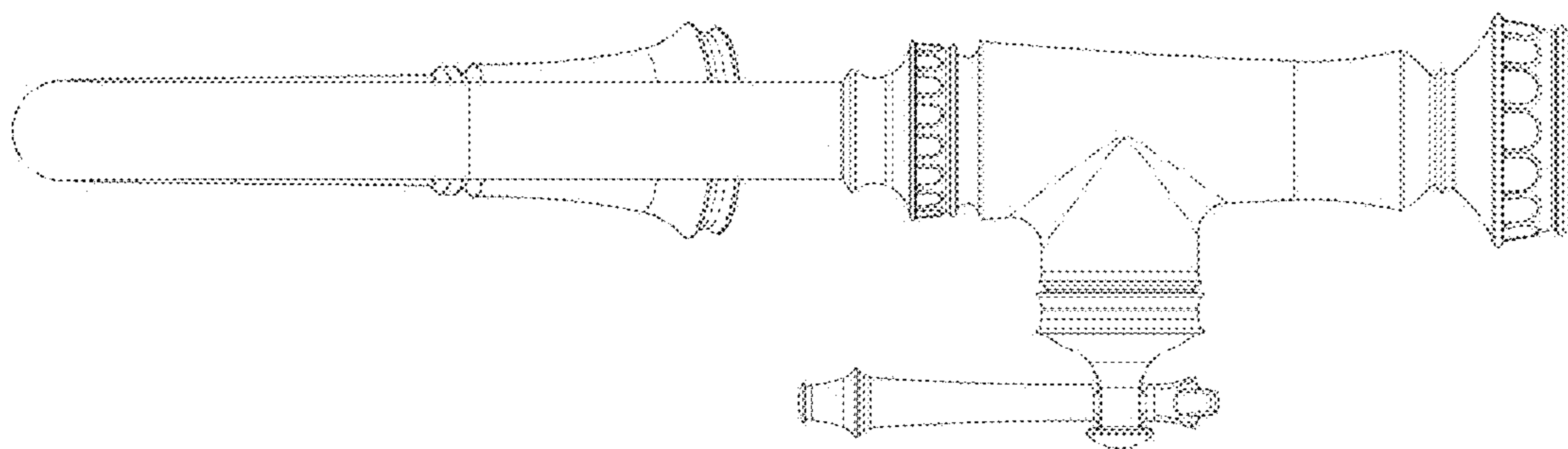


FIG. 10

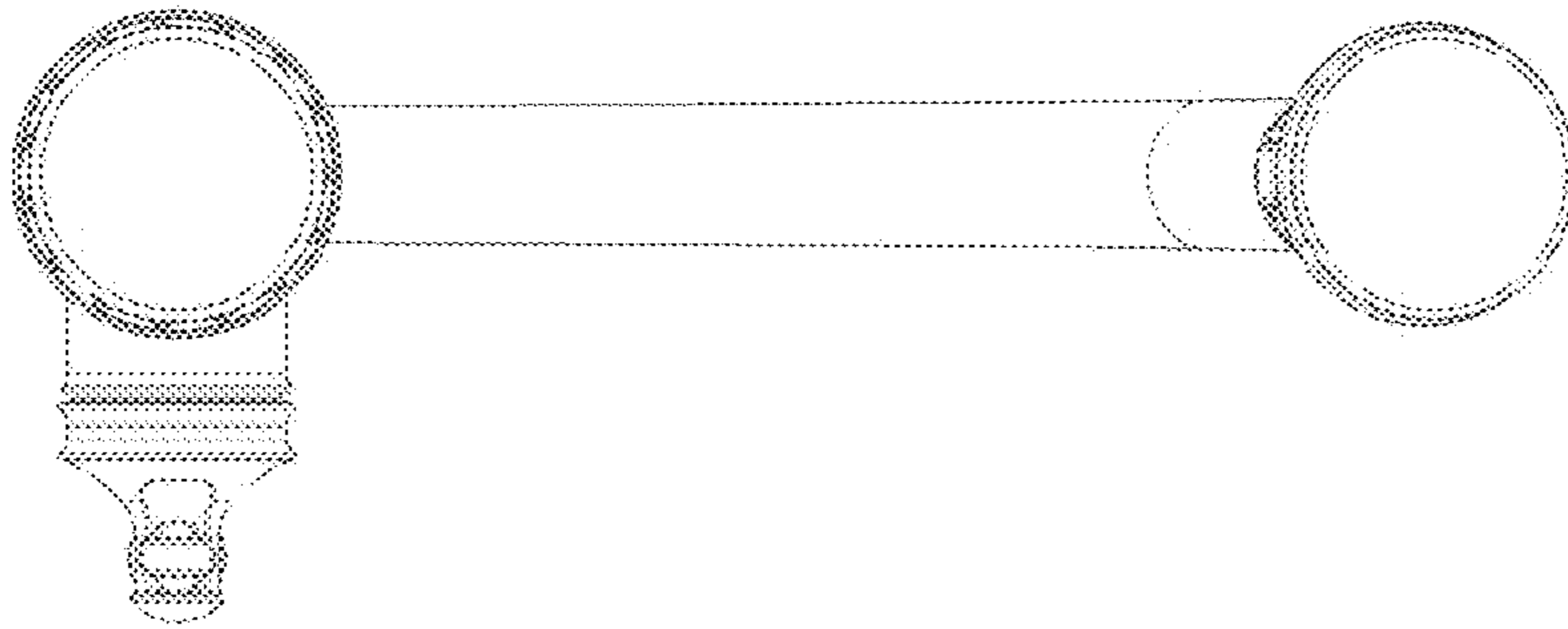


FIG. - 8

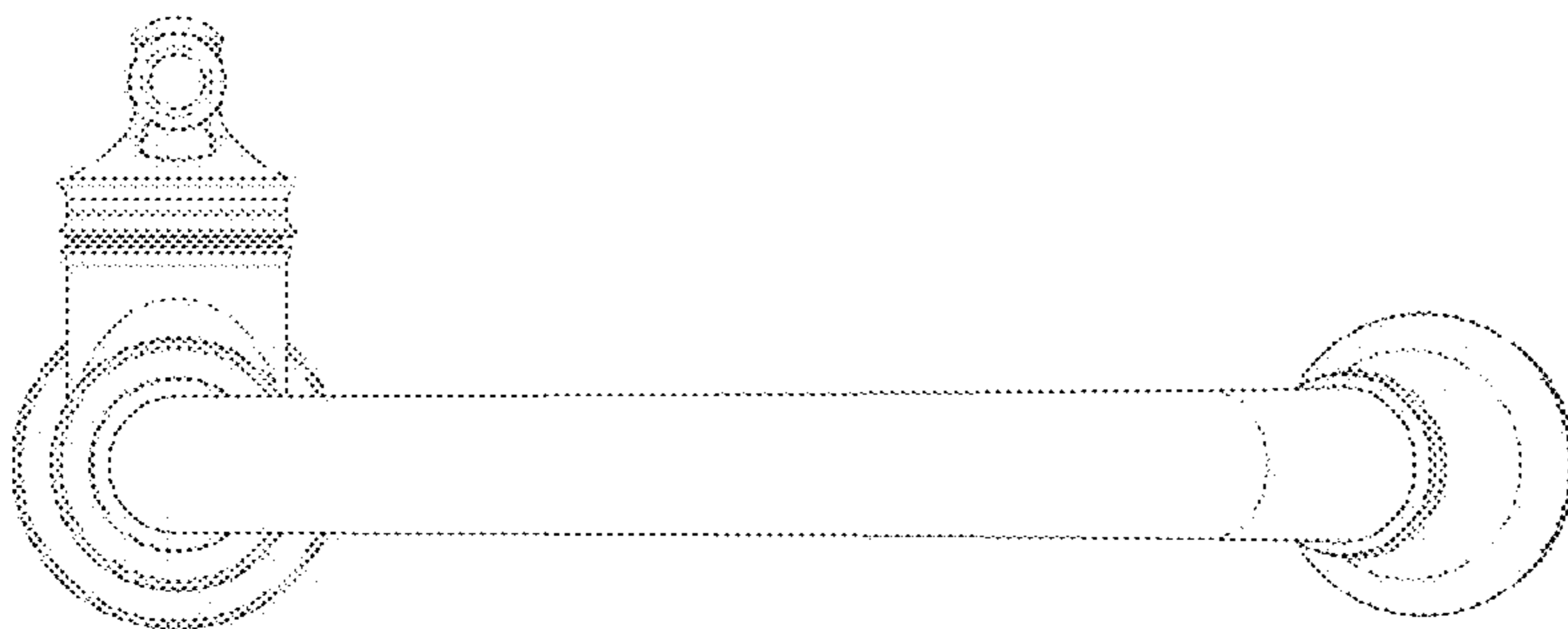


FIG. - 7