



US00D923147S

(12) **United States Design Patent**  
**Zhen**

(10) **Patent No.:** **US D923,147 S**  
(45) **Date of Patent:** **\*\* Jun. 22, 2021**

(54) **KITCHEN FAUCET**

(71) Applicant: **Yanzhang Zhen**, Kaiping (CN)

(72) Inventor: **Yanzhang Zhen**, Kaiping (CN)

(\*\*) Term: **15 Years**

(21) Appl. No.: **29/714,300**

(22) Filed: **Nov. 22, 2019**

(51) **LOC (13) Cl.** ..... **23-01**

(52) **U.S. Cl.**  
USPC ..... **D23/238**

(58) **Field of Classification Search**  
USPC ..... D23/238-244, 252, 254-255, 257;  
D8/307-308  
CPC .... F16K 31/602; F16K 31/605; F16K 31/607;  
E03C 1/0412  
See application file for complete search history.

(56) **References Cited**

**U.S. PATENT DOCUMENTS**

7,753,079	B2 *	7/2010	Nelson	.....	E03C 1/0404 137/801
7,814,927	B2 *	10/2010	Hansen	.....	E03C 1/0403 137/315.12
D703,790	S *	4/2014	Mazz	.....	D23/238
D714,916	S *	10/2014	Flowers	.....	D23/255
D746,413	S *	12/2015	Hanna	.....	D23/255
D787,019	S *	5/2017	Ziemann	.....	D23/238
D825,720	S *	8/2018	Zeng	.....	D23/238
D835,237	S *	12/2018	Ziemann	.....	D23/238
D840,505	S *	2/2019	Zhang	.....	D23/238
D845,439	S *	4/2019	Zhang	.....	D23/238
D847,950	S *	5/2019	Zhang	.....	D23/238
D877,296	S *	3/2020	Tentler	.....	D23/238
D900,280	S *	10/2020	Judge	.....	D23/238

**FOREIGN PATENT DOCUMENTS**

CN 304909330 \* 10/2018

**OTHER PUBLICATIONS**

APPASO Matte Black and Rose Gold Pull Down Kitchen Faucet with Magnetic Docking Sprayer, announced Jun. 29, 2019[online], [site visited Feb. 5, 2021]. Available from internet, URL:<https://www.amazon.com/APPASO-Kitchen-Magnetic-Docking-Sprayer/dp/B07TRTSQM3> (Year: 2019).\*

Moen Brantford Motionsense Wave Touchless One-Handle Pulldown Kitchen Faucet, announced Dec. 1, 2018[online], [site visited Feb. 5, 2021]. Available from internet, URL:<https://www.amazon.com/Moen-Brantford-Motionsense-One-Handle-7185EWC/dp/B07MHJX584> (Year: 2018).\*

\* cited by examiner

*Primary Examiner* — Barbara Fox

*Assistant Examiner* — Jamaal Rasheed

(74) *Attorney, Agent, or Firm* — Rumit Ranjit Kanakia

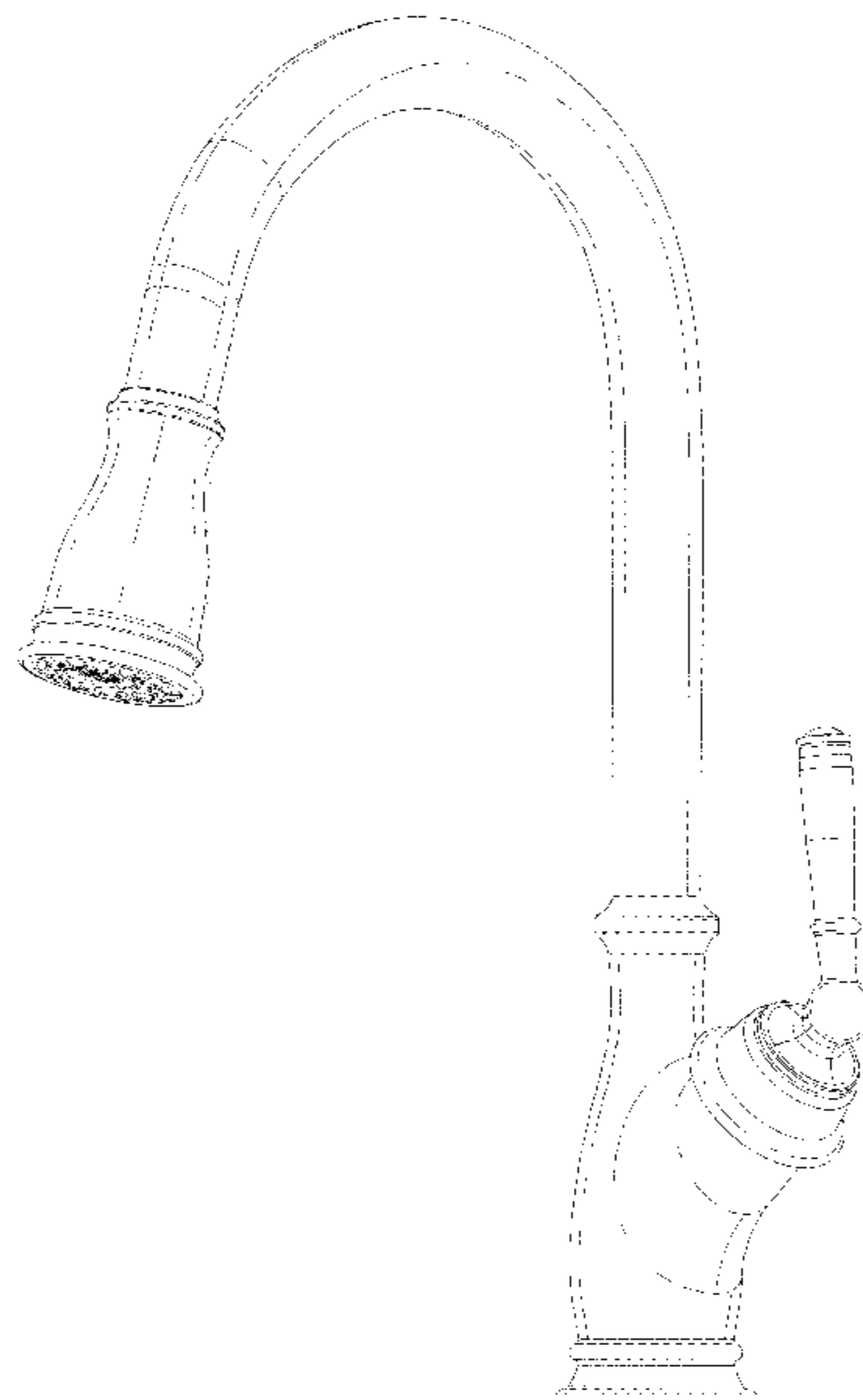
(57) **CLAIM**

I claim the ornamental design for a kitchen faucet, as shown and described.

**DESCRIPTION**

FIG. 1 is a Perspective view of a kitchen faucet showing my new design;  
FIG. 2 is another Perspective view thereof;  
FIG. 3 is a Front view thereof;  
FIG. 4 is a Back view thereof;  
FIG. 5 is a Right-side view thereof;  
FIG. 6 is a Left-side view thereof;  
FIG. 7 is a Top view thereof; and,  
FIG. 8 is a Bottom view thereof.  
The broken lines depict portions of the kitchen faucet that form no part of the claimed design.

**1 Claim, 7 Drawing Sheets**



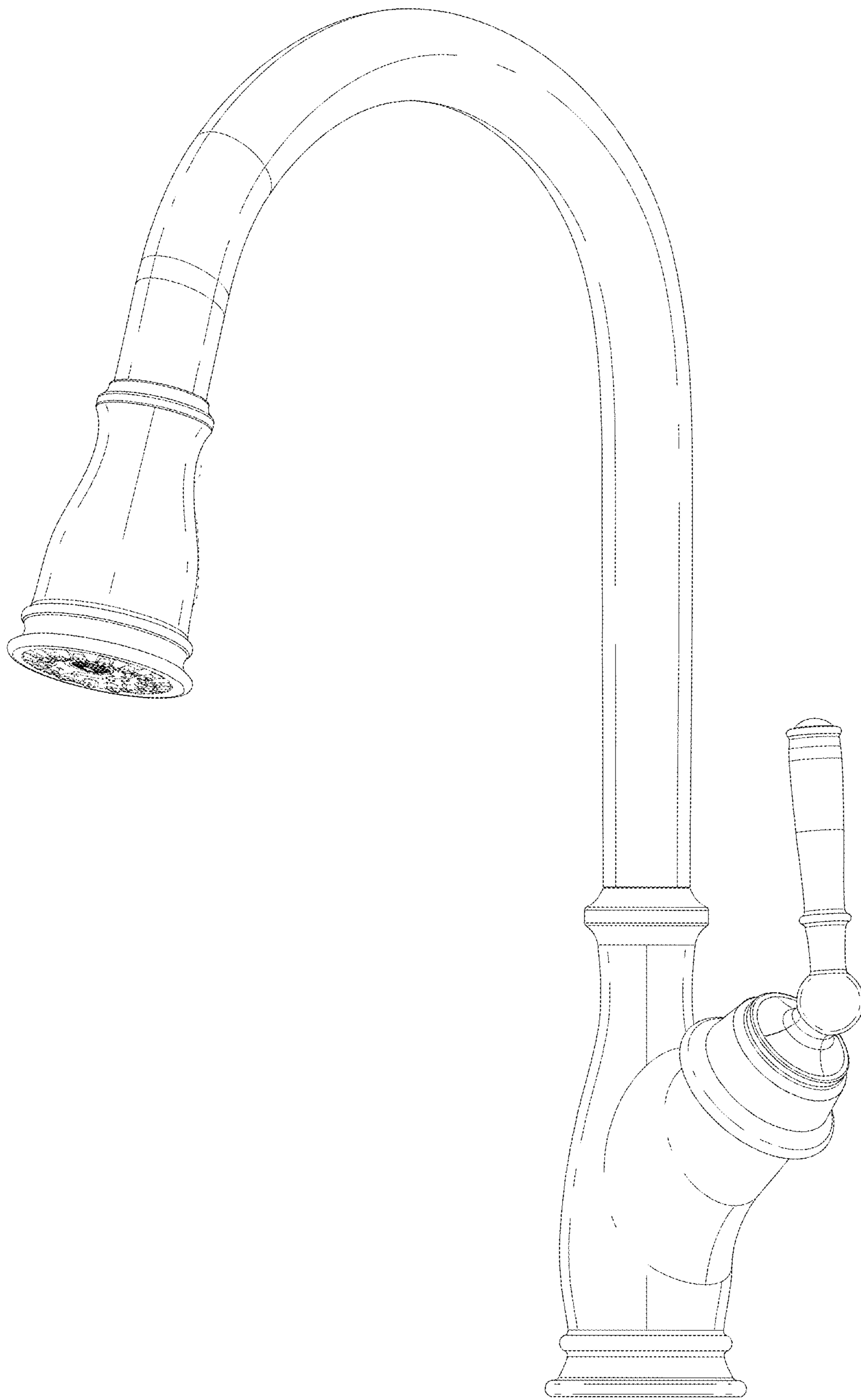


FIG. 1

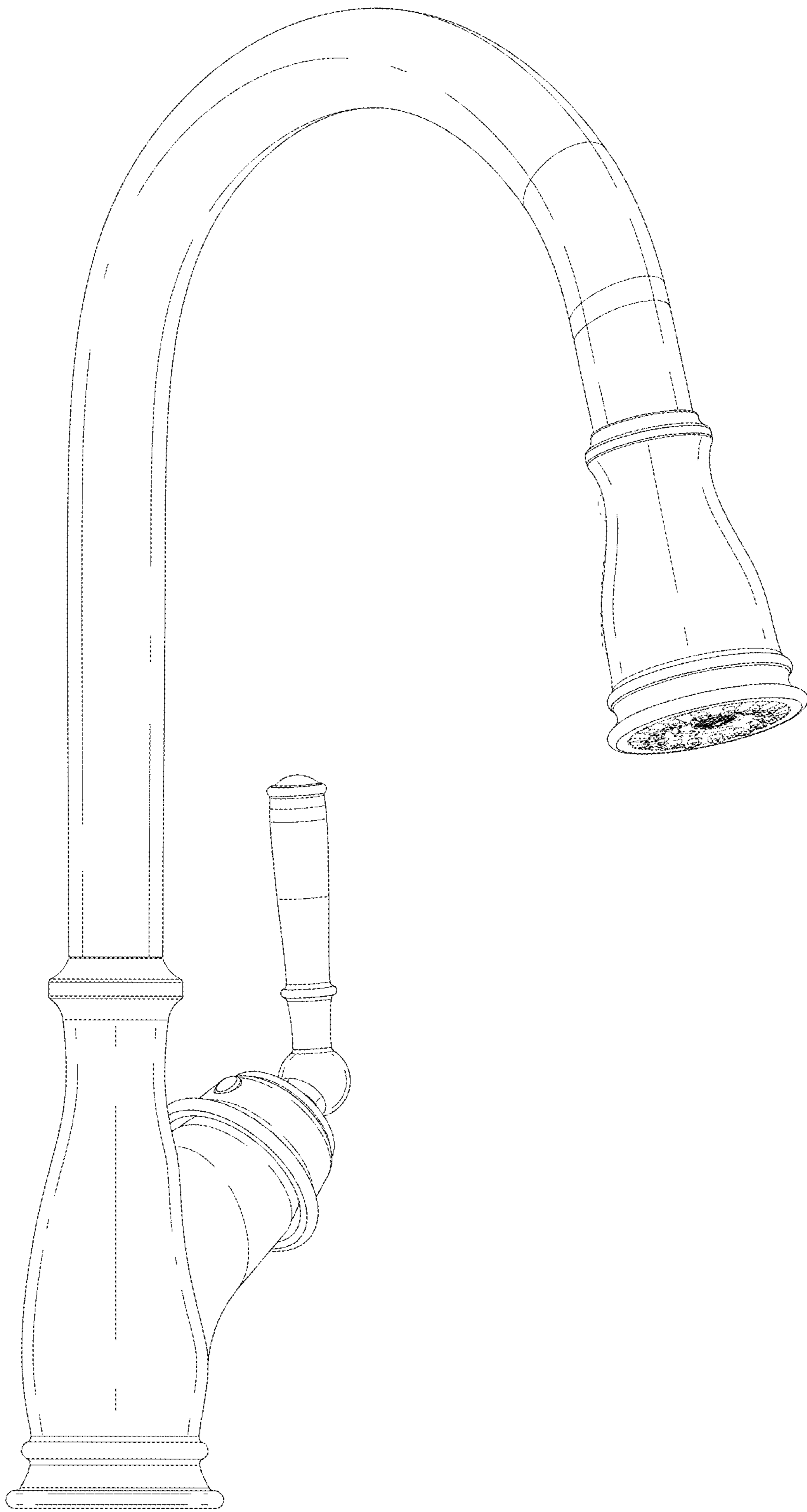


FIG. 2

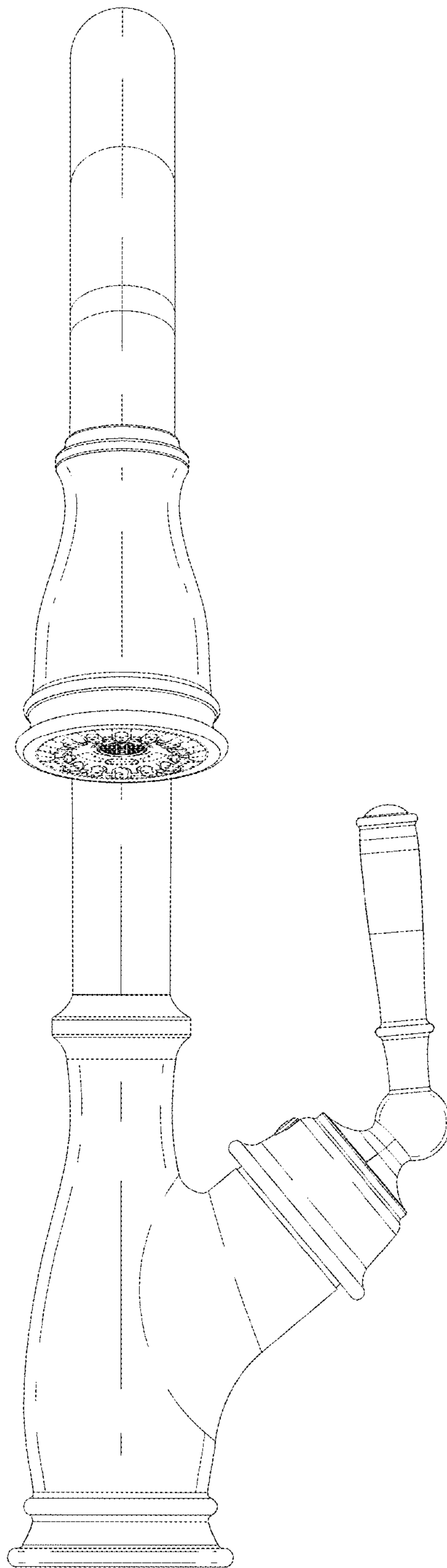


FIG. 3

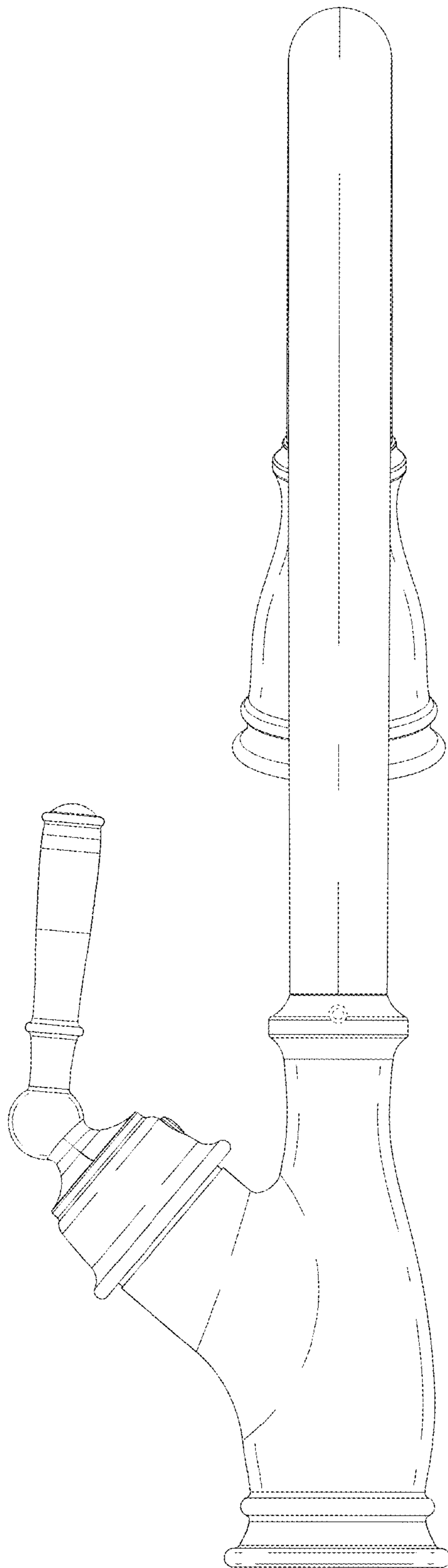


FIG. 4

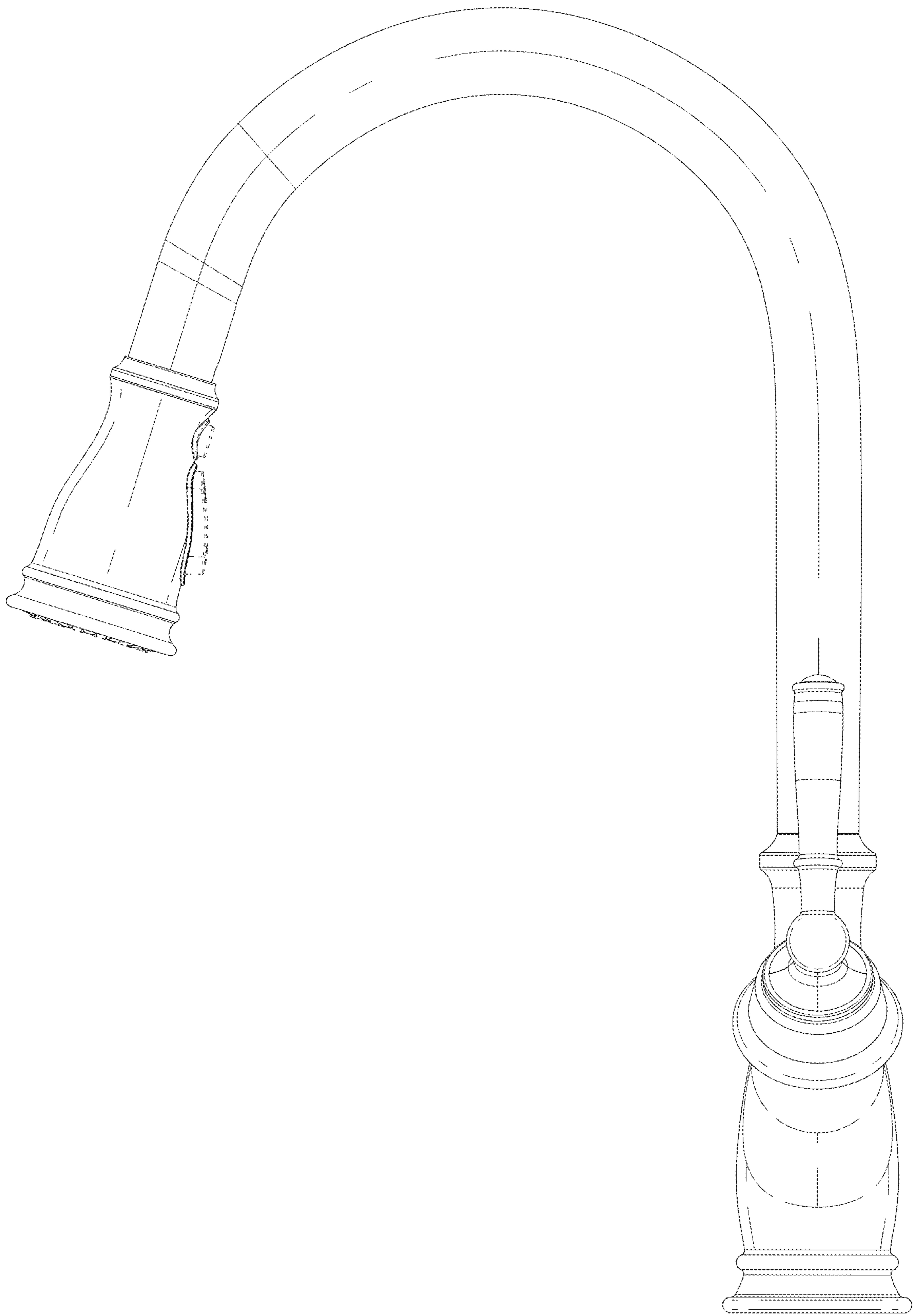


FIG. 5



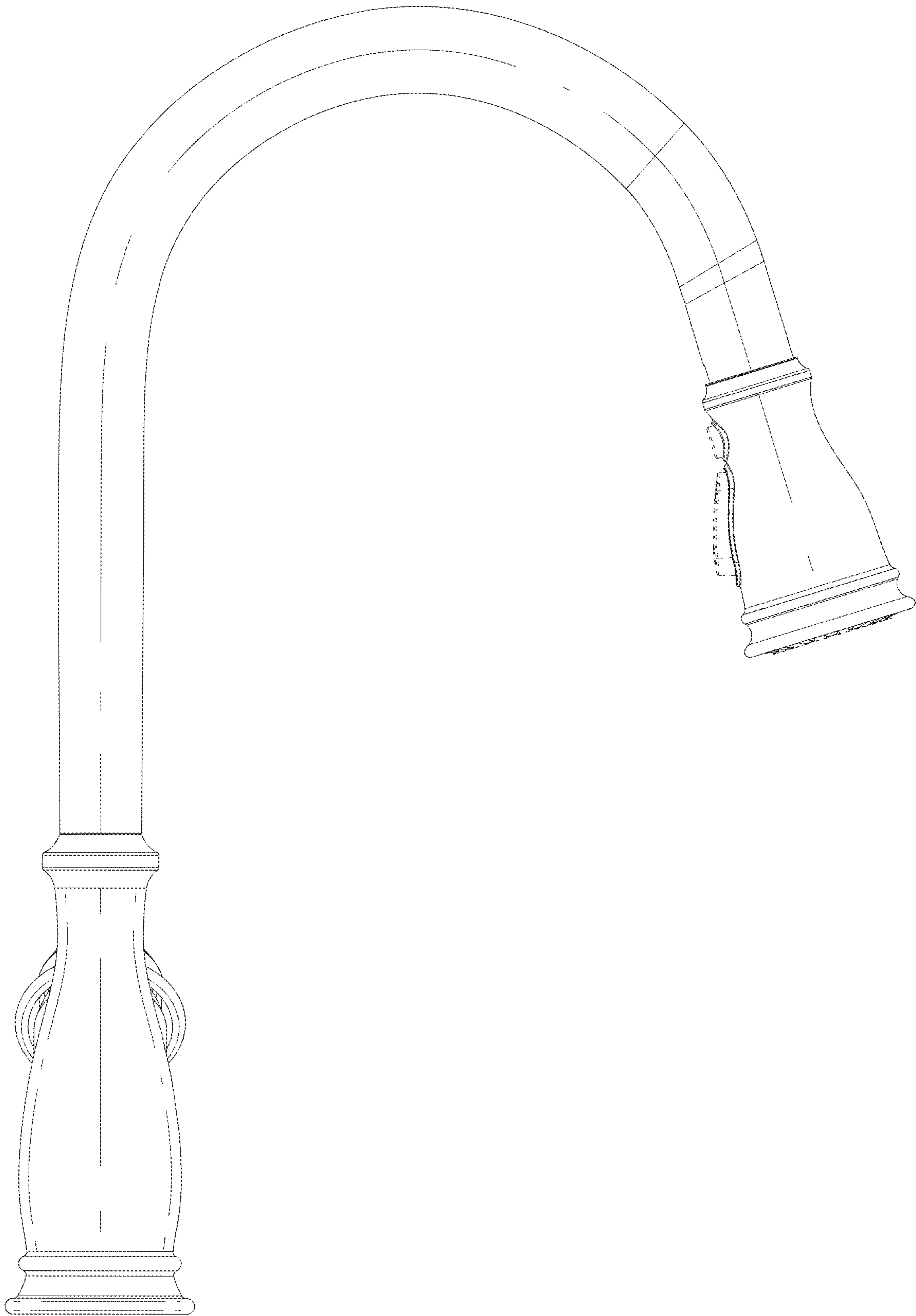


FIG. 6

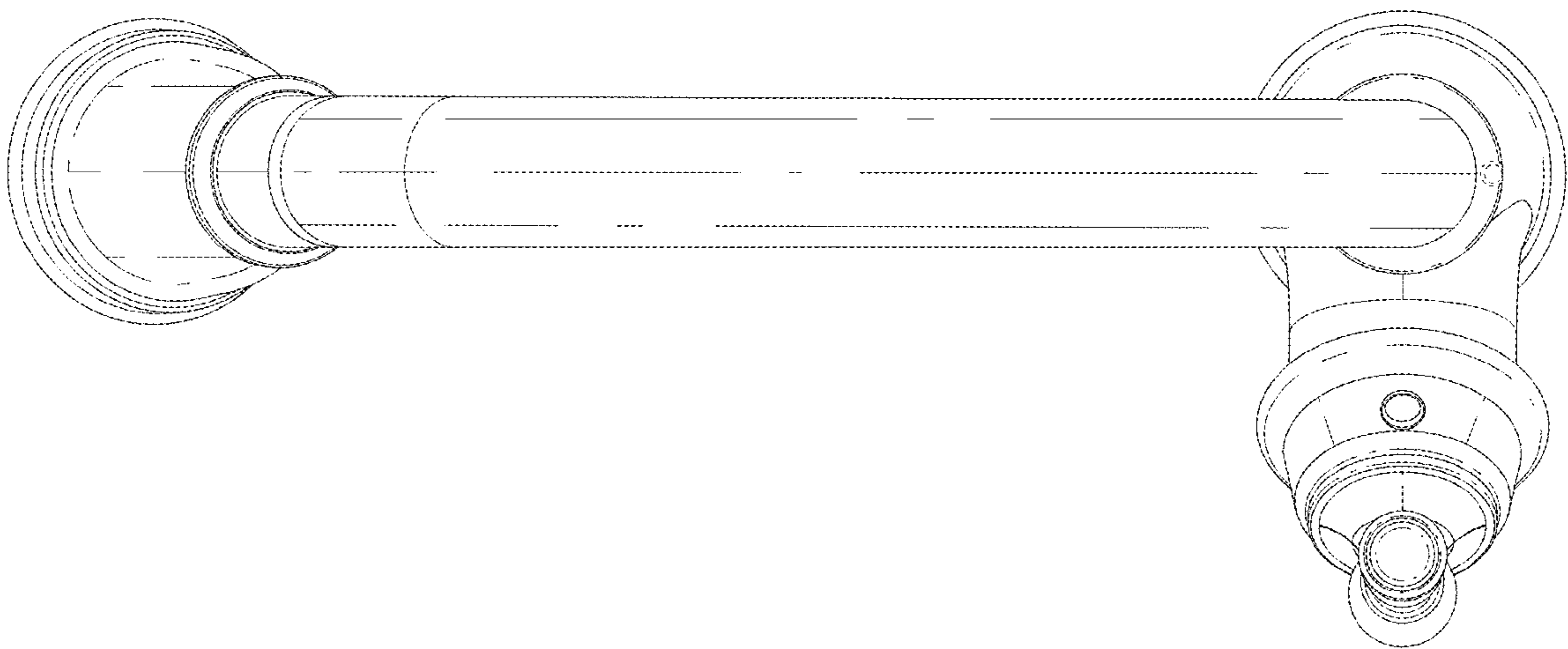


FIG. 7

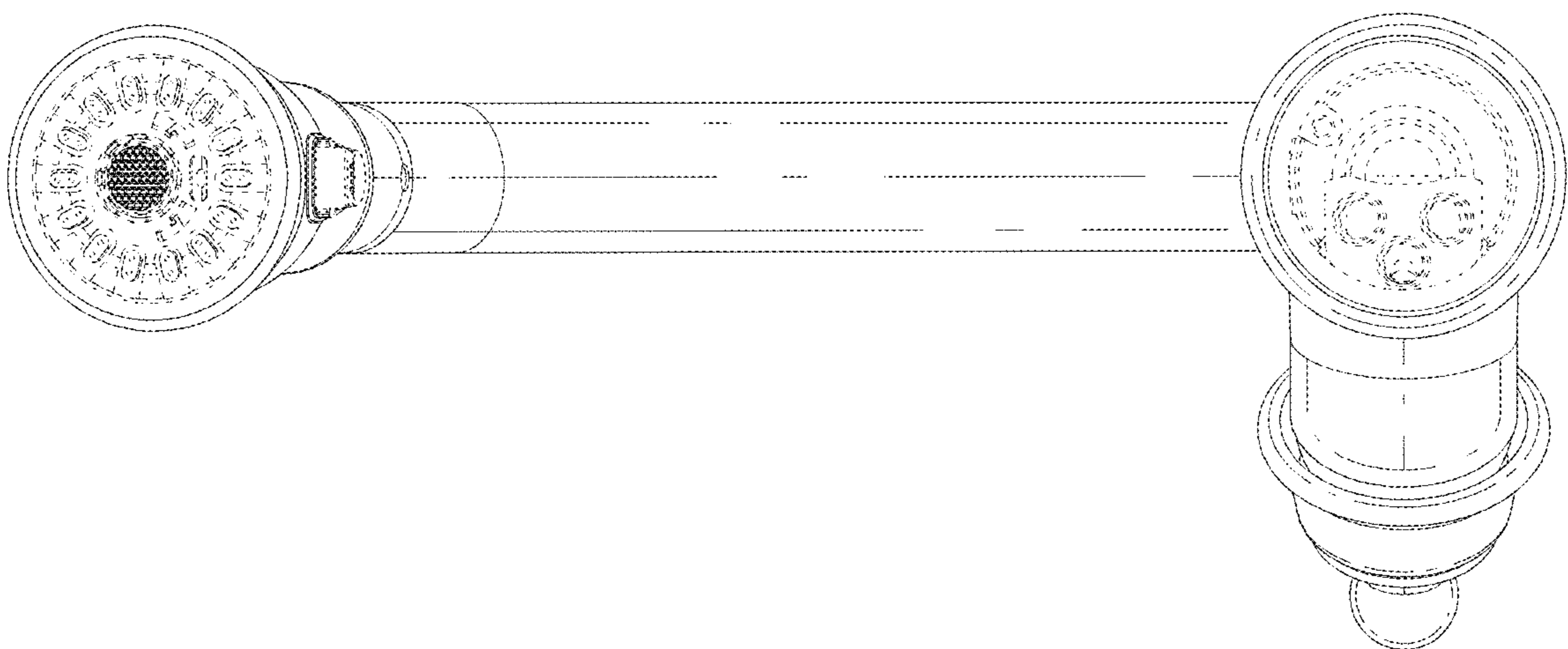


FIG. 8