



US00D923145S

(12) **United States Design Patent** (10) **Patent No.:** **US D923,145 S**
Schott et al. (45) **Date of Patent:** **** Jun. 22, 2021**

(54) **PRESSURE VALVE**
 (71) Applicant: **Goetze KG Armaturen**, Ludwigsburg (DE)
 (72) Inventors: **Steffen Schott**, Mosbach (DE); **David Braun**, Mosbach (DK); **Jurgen Grimm**, Grassau (DE); **Pascal Joos**, Bad Rappenau (DE)
 (73) Assignee: **GOETZE KG ARMATUREN**, Ludwigsburg (DE)

D610,652 S * 2/2010 Ben-Nun D23/233
 D633,986 S * 3/2011 Ito D23/233
 D639,392 S * 6/2011 Yamada D23/233
 D667,930 S * 9/2012 Yamada D23/235
 D700,683 S * 3/2014 Atwell D23/235
 D722,362 S * 2/2015 Kluss D23/235
 D757,218 S * 5/2016 Murphey D23/237
 D812,191 S * 3/2018 Harck D23/233
 D820,956 S * 6/2018 Ito D23/235
 D854,125 S * 7/2019 Childress D23/234

(Continued)

Primary Examiner — Natasha Vujcic
 (74) *Attorney, Agent, or Firm* — John Alunit

(**) Term: **15 Years**

(21) Appl. No.: **35/509,399**

(22) Filed: **Jan. 9, 2020**

(80) **Hague Agreement Data**

Int. Filing Date: **Jan. 9, 2020**
 Int. Reg. No.: **DM/208096**
 Int. Reg. Date: **Jan. 9, 2020**
 Int. Reg. Pub. Date: **May 22, 2020**

(30) **Foreign Application Priority Data**

Aug. 16, 2019 (EM) 006731113

(51) **LOC (13) Cl.** **23-01**

(52) **U.S. Cl.**
 USPC **D23/233**

(58) **Field of Classification Search**
 USPC D23/233-237, 241-249
 CPC .. G05D 23/136; G05D 23/13; G05D 23/1353;
 F16K 31/0693; F16K 39/002; F16K
 11/00; F16K 11/0743; F16K 11/044;
 F16K 17/20; F16K 27/02
 See application file for complete search history.

(56) **References Cited**

U.S. PATENT DOCUMENTS

D497,976 S * 11/2004 Goetz D23/245
 D600,779 S * 9/2009 Shishido D23/233

(57) **CLAIM**

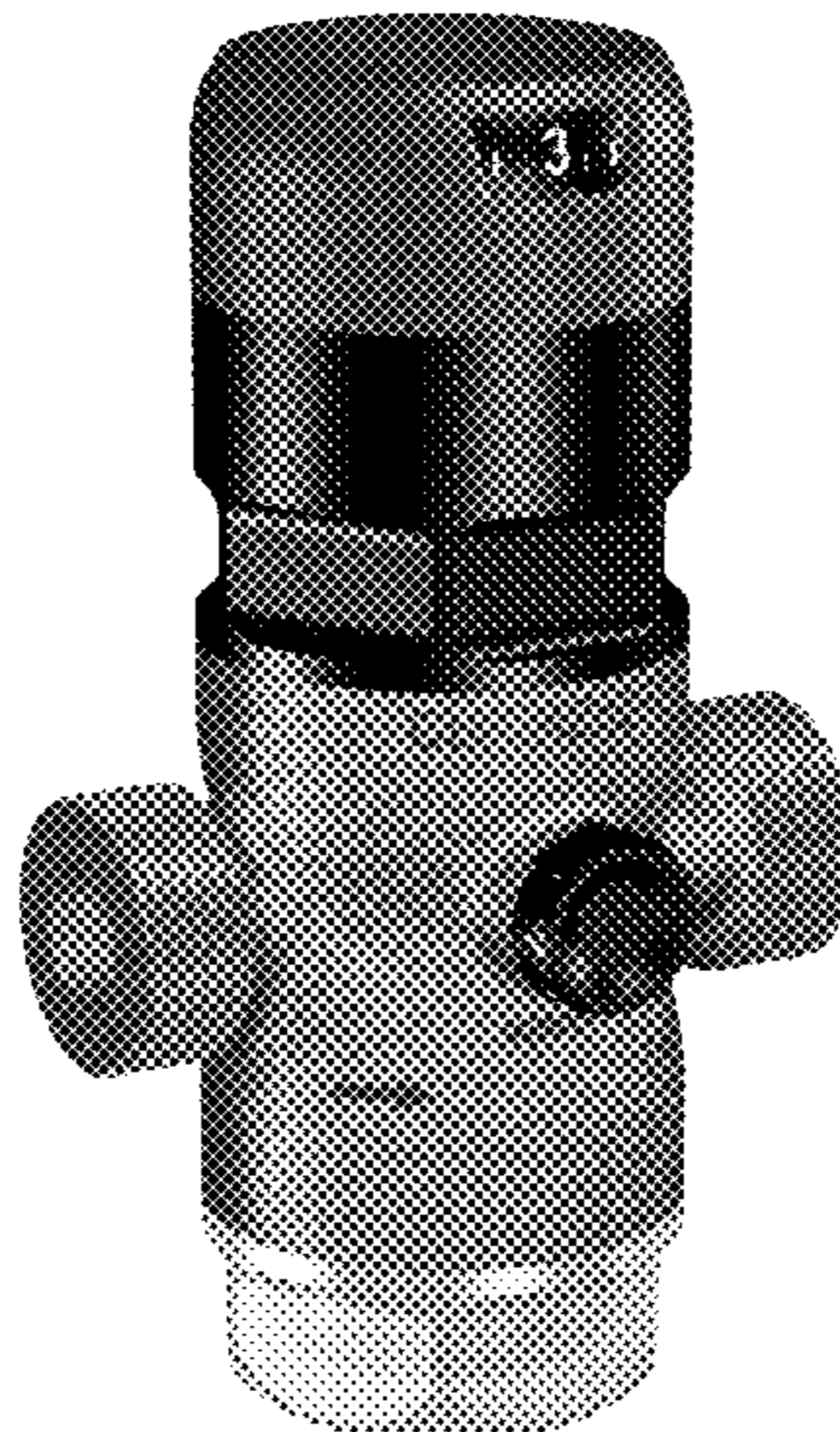
The ornamental design for a pressure valve, as shown and described.

DESCRIPTION

The patent or application file contains at least one drawing executed in color. Copies of this patent or patent application publication with color drawing(s) will be provided by the Office upon request and payment of the necessary fee.

- 1.-2. Pressure valve
- 1.1 is a front perspective view.
- 1.2 is a front view.
- 1.3 is a rear view.
- 1.4 is a left view.
- 1.5 is a right view.
- 1.6 is a top view.
- 1.7 is a left side view.
- 2.1 is a front perspective view.
- 2.2 is a front view.
- 2.3 is a rear view.
- 2.4 is a left view.
- 2.5 is a right view.
- 2.6 is a top view.
- 2.7 is a left side view.

1 Claim, 14 Drawing Sheets
(7 of 14 Drawing Sheet(s) Filed in Color)



(56)

References Cited

U.S. PATENT DOCUMENTS

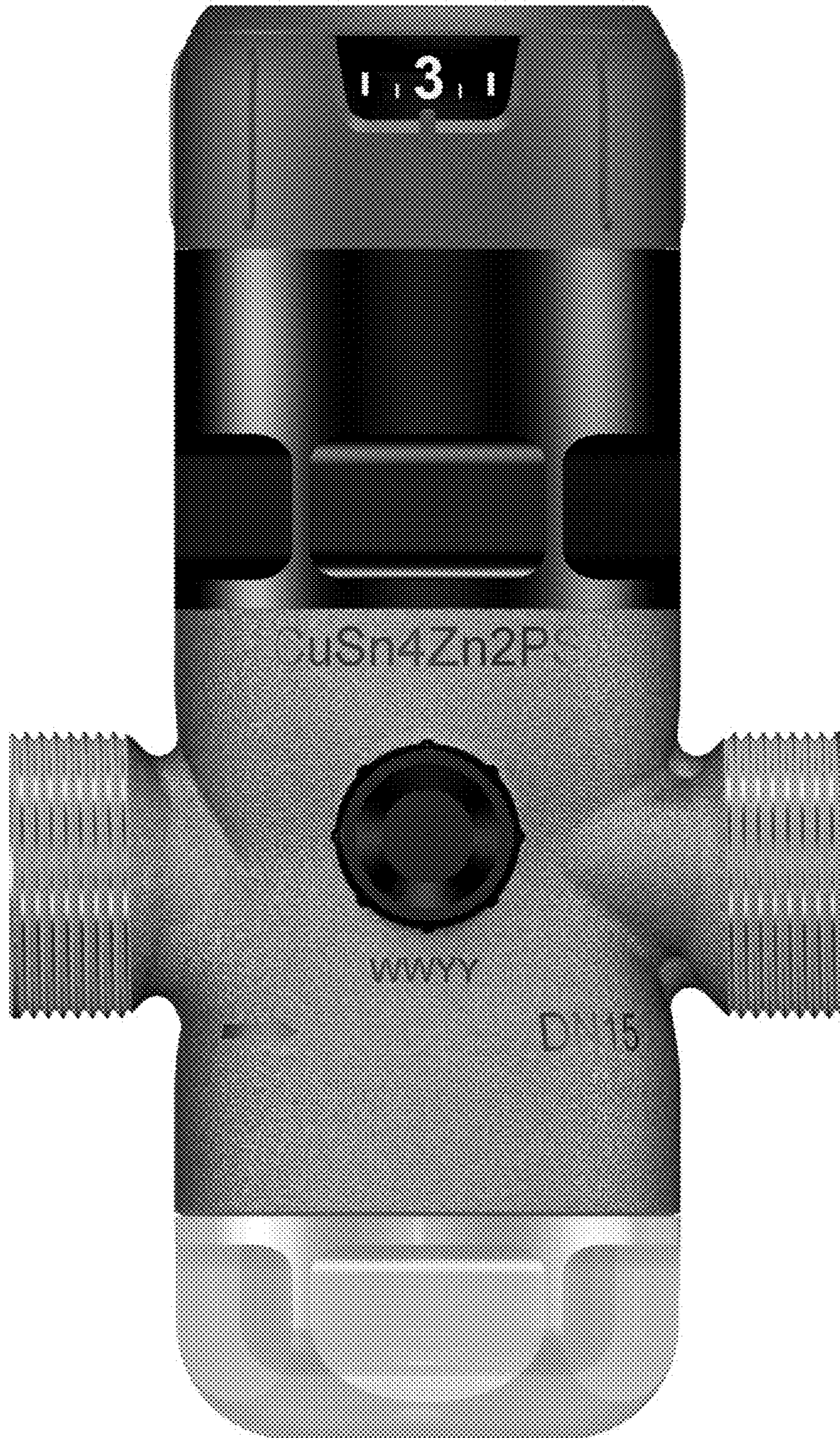
D891,583 S	*	7/2020	Li	D23/233
D901,634 S	*	11/2020	Chen	D23/223
D904,567 S	*	12/2020	Bian	D23/233
D908,191 S	*	1/2021	Li	D23/233

* cited by examiner

1.1



1.2



1.3



1.4



1.5



1.6



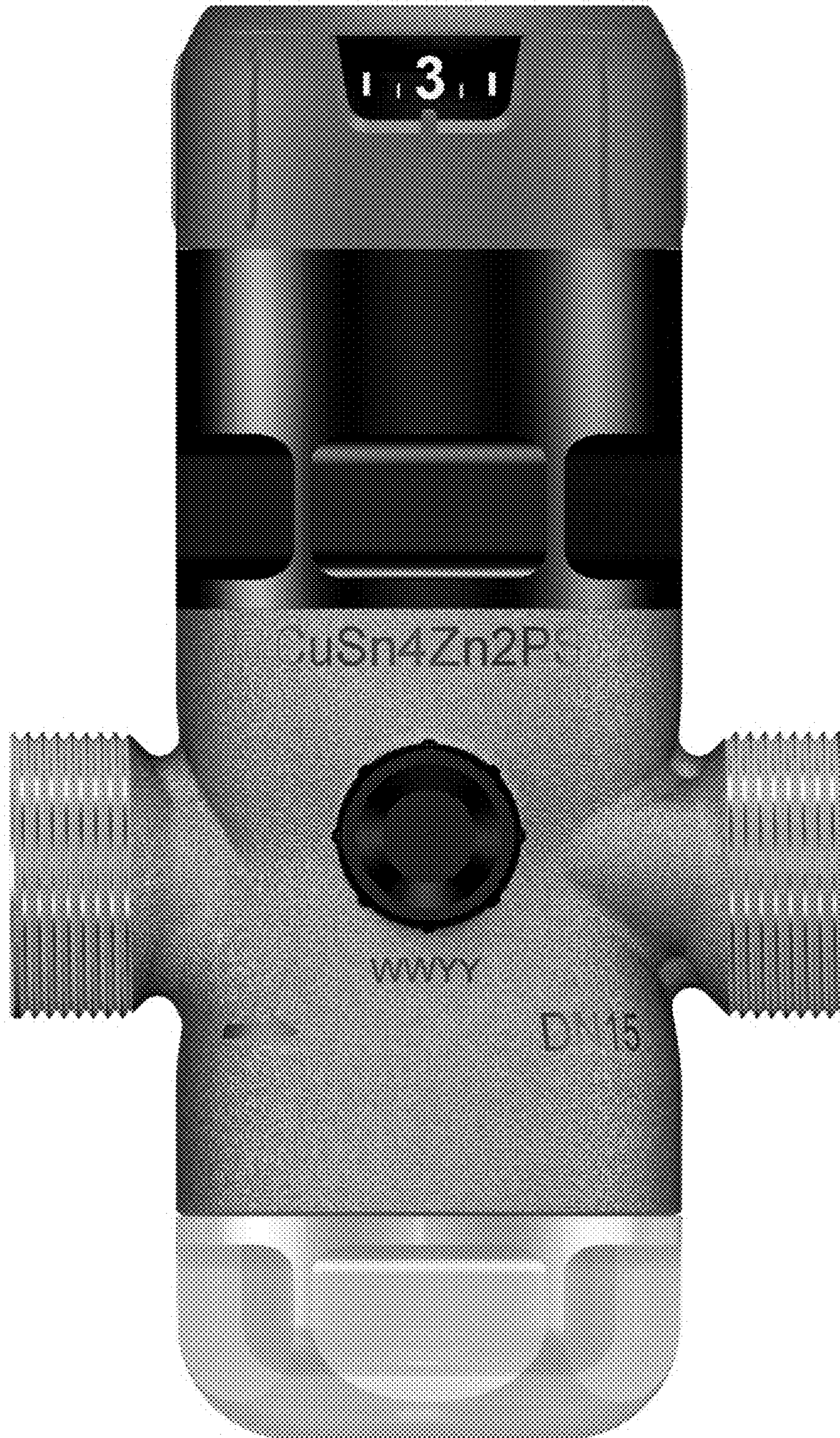
1.7



2.1



2.2



2.3



2.4



2.5



2.6



2.7

