



US00D923143S

(12) **United States Design Patent** (10) **Patent No.:** **US D923,143 S**  
**Lin et al.** (45) **Date of Patent:** **\*\* Jun. 22, 2021**

(54) **SLIDABLE SHOWER HOLDER**  
(71) Applicant: **FUJIAN XIHE SANITARY WARE TECHNOLOGY CO., LTD.**, Fujian (CN)

(72) Inventors: **Xiaofa Lin**, Fujian (CN); **Xiaoshan Lin**, Fujian (CN); **Qiqiao Liu**, Fujian (CN); **Xiaoqing Deng**, Fujian (CN); **Qing Kang**, Fujian (CN)

(73) Assignee: **FUJIAN XIHE SANITARY WARE TECHNOLOGY CO., LTD.**, Fujian (CN)

(\*\*) Term: **15 Years**

(21) Appl. No.: **29/724,868**

(22) Filed: **Feb. 20, 2020**

(30) **Foreign Application Priority Data**

Aug. 20, 2019 (CN) ..... 201930452356.2

(51) **LOC (13) Cl.** ..... **23-01**

(52) **U.S. Cl.**  
USPC ..... **D23/228**

(58) **Field of Classification Search**  
USPC ..... D23/213, 223, 226, 228, 229, 230, 238, D23/239, 240, 241, 249  
CPC ..... B05B 1/16; B05B 1/1618; B05B 1/18; B05B 1/185; E03C 1/0405; E03C 1/06; E03C 1/063; E03C 1/066; E03C 1/084; E03C 2001/0415

See application file for complete search history.

(56) **References Cited**

**U.S. PATENT DOCUMENTS**

5,481,765 A \* 1/1996 Wang ..... A47K 3/28  
4/567  
5,632,049 A \* 5/1997 Chen ..... E03C 1/06  
248/124.2

D412,563 S \* 8/1999 Milrud ..... D23/304  
D443,685 S \* 6/2001 Gottwald ..... D23/304  
D496,448 S \* 9/2004 Haug ..... D23/304  
7,093,309 B2 \* 8/2006 Kollmann ..... E03C 1/06  
4/570  
D542,394 S \* 5/2007 Cropelli ..... D23/304  
D580,025 S \* 11/2008 Kollmann ..... D23/304  
D589,117 S \* 3/2009 Bardsley ..... D23/228  
7,766,291 B2 \* 8/2010 Eilmus ..... E03C 1/066  
248/222.11  
D637,026 S \* 5/2011 Lin ..... D6/374  
(Continued)

**OTHER PUBLICATIONS**

“How to Install—Slide Rail Shower System SRXBH-643E” Aug. 29, 2019, YouTube, site visited Apr. 19, 2021: <https://www.youtube.com/watch?v=nThLskqGd0w> (Year: 2019).\*

(Continued)

*Primary Examiner* — Jack Reickel  
*Assistant Examiner* — Bobby W Jones, II  
(74) *Attorney, Agent, or Firm* — JCIPRNET

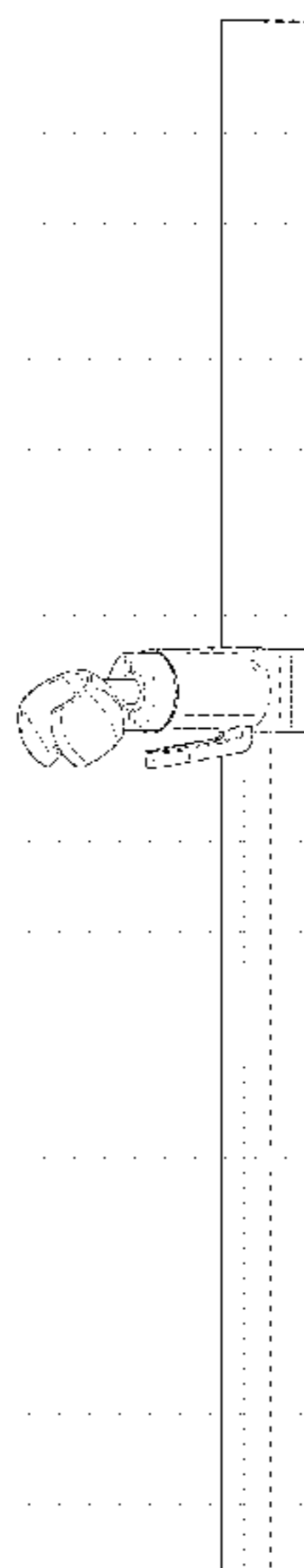
(57) **CLAIM**

The ornamental design for a slidable shower holder, as shown and described.

**DESCRIPTION**

FIG. 1 is a perspective view of a slidable shower holder showing our new design;  
FIG. 2 is a front view thereof;  
FIG. 3 is a rear view thereof;  
FIG. 4 is a left side view thereof;  
FIG. 5 is a right side view thereof;  
FIG. 6 is a top view thereof; and,  
FIG. 7 is a bottom view thereof.  
The broken lines in the drawings represent portions of the slidable shower holder that form no part of the claimed design.

**1 Claim, 4 Drawing Sheets**



(56)

**References Cited**

U.S. PATENT DOCUMENTS

8,919,709 B2 \* 12/2014 Zhou ..... E03C 1/066  
248/122.1  
9,297,151 B2 \* 3/2016 Blessing ..... E03C 1/06  
9,382,699 B2 \* 7/2016 Andersen ..... F16B 2/18  
D790,665 S \* 6/2017 Spangler ..... D23/238  
D841,128 S \* 2/2019 Zhou ..... D23/228  
D902,346 S \* 11/2020 Cocks ..... D23/213  
D904,276 S \* 12/2020 Hostetter ..... D12/223  
2009/0222983 A1 \* 9/2009 Bosio ..... E03C 1/066  
4/596  
2014/0251454 A1 \* 9/2014 Blessing ..... E03C 1/06  
137/360  
2019/0211537 A1 \* 7/2019 Lee ..... E03C 1/021  
2019/0249402 A1 \* 8/2019 Whitfield ..... F16M 13/022

OTHER PUBLICATIONS

“Waterpik VSS-563MT” Aug. 27, 2016, Amazon, site visited Apr. 19, 2021: <https://www.amazon.com/dp/B01L3PLVW6/> (Year: 2016).\*

“Delta Faucet 51751 Glide Rail Hand Shower” Jan. 6, 2012, Amazon, site visited Apr. 19, 2021: <https://www.amazon.ca/dp/B006WKKNMC/> (Year: 2012).\*

\* cited by examiner

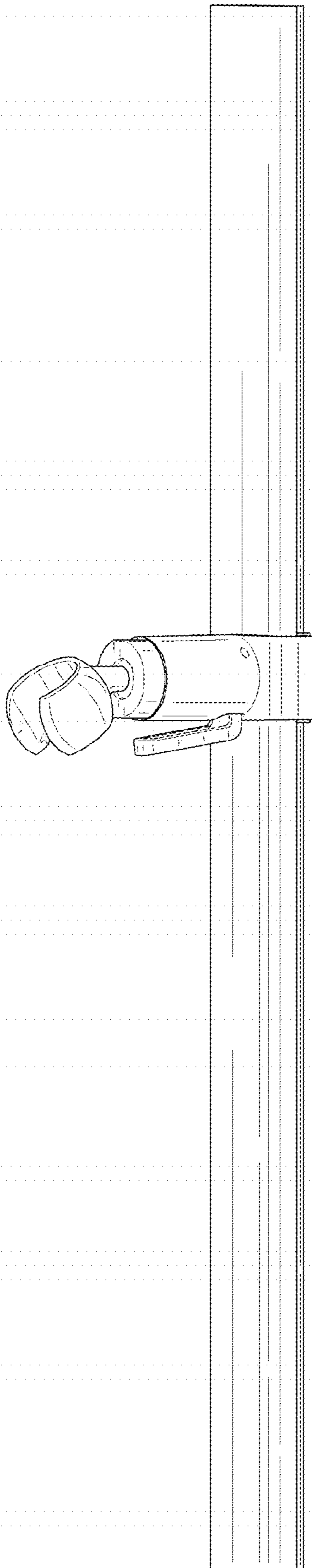


FIG. 1

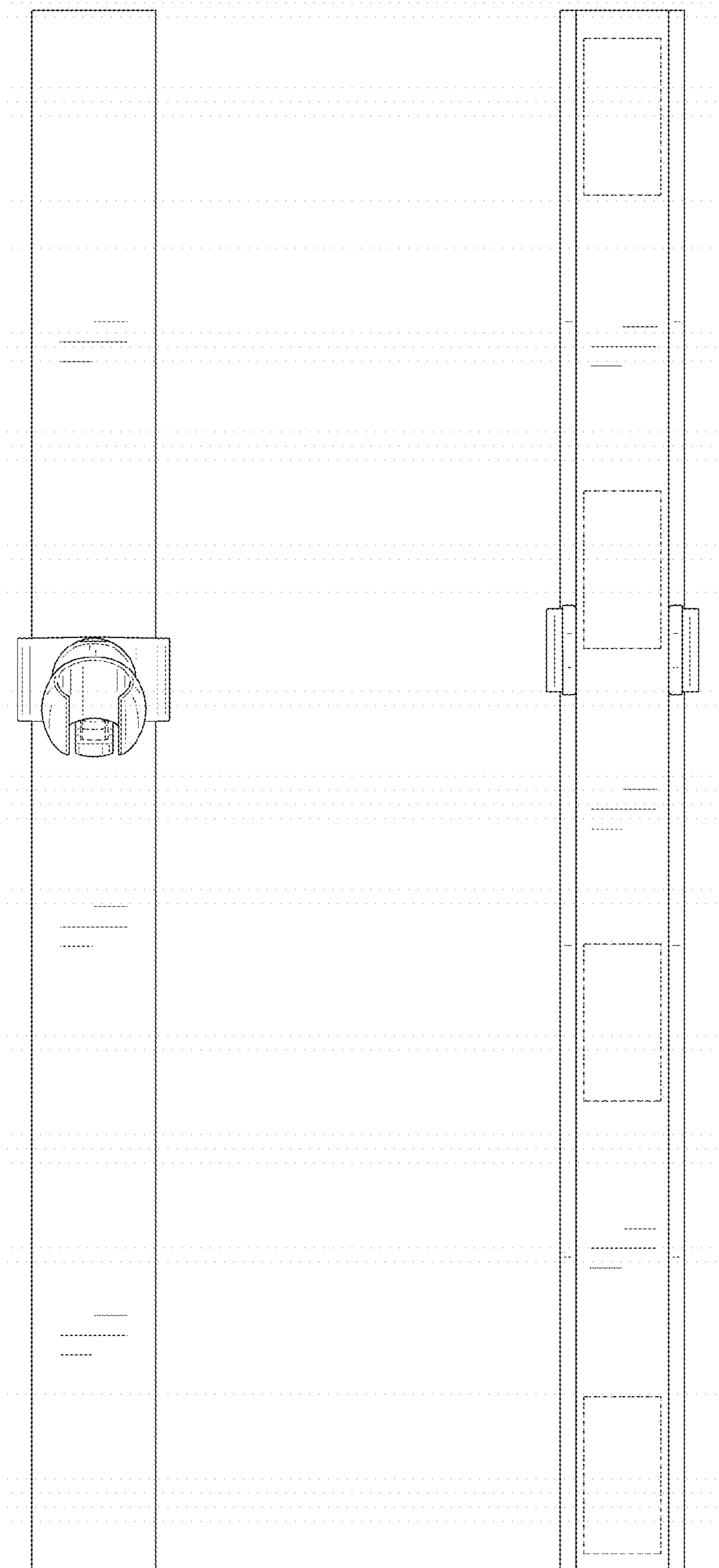


FIG. 2

FIG. 3

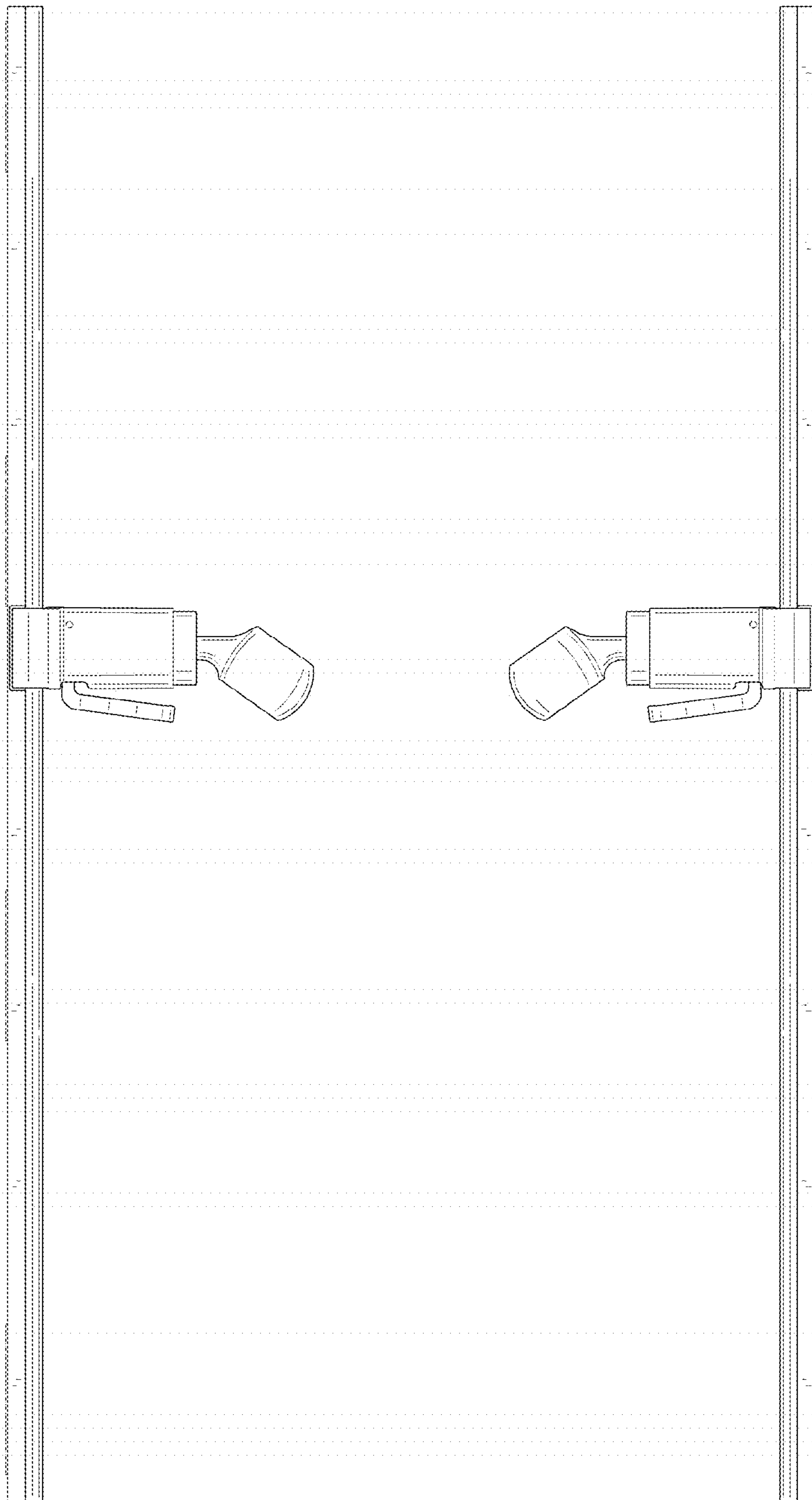


FIG. 4

FIG. 5

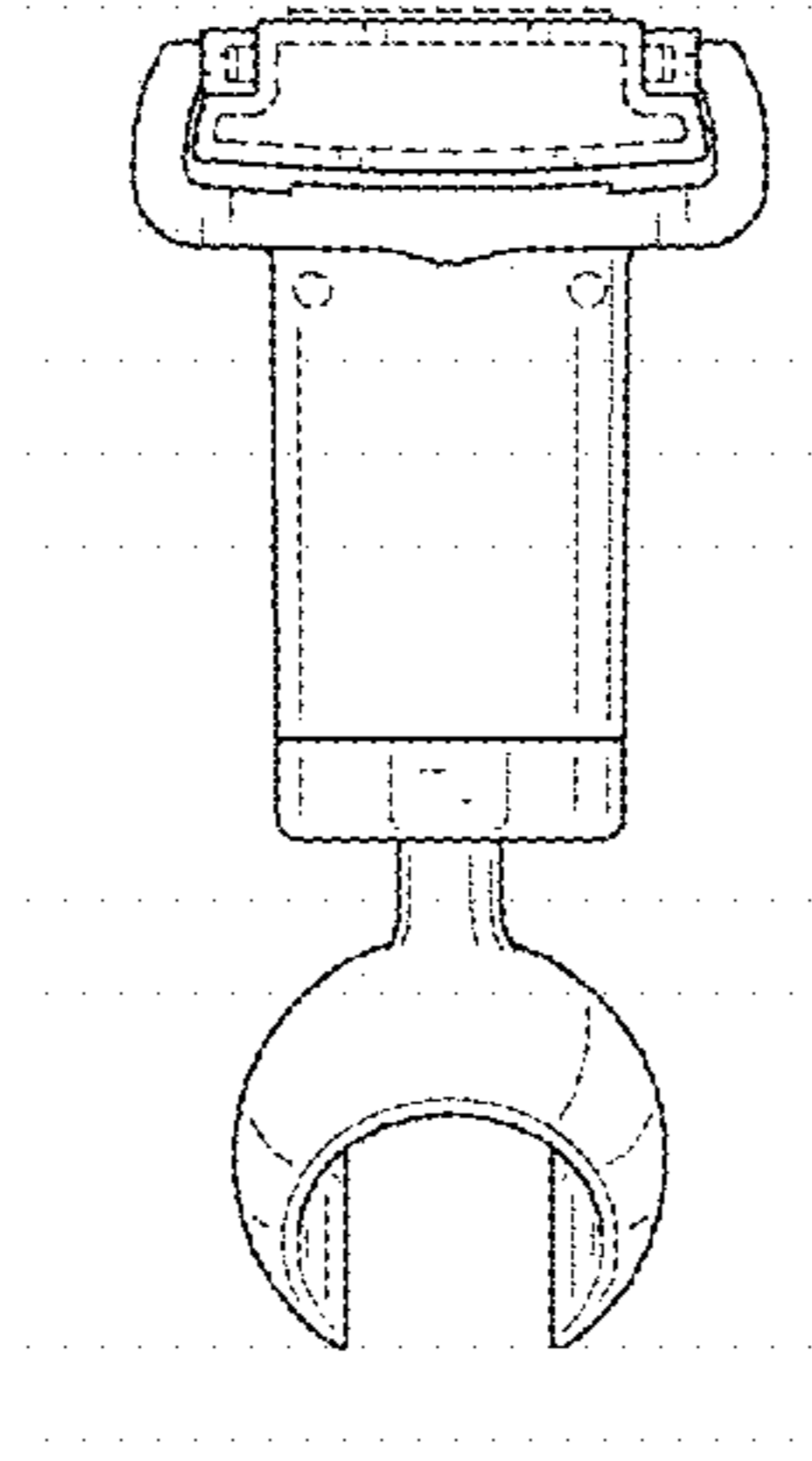


FIG. 6

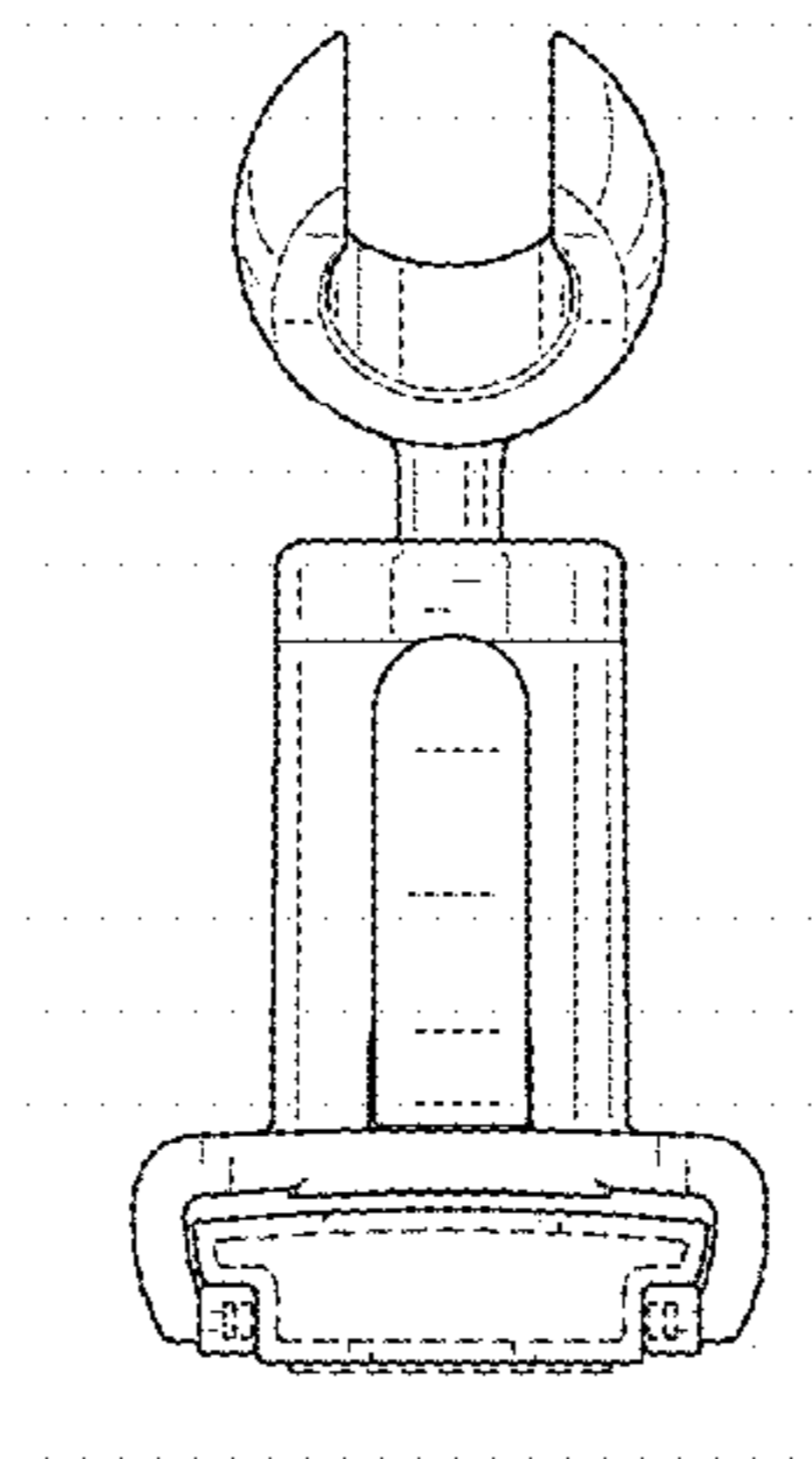


FIG. 7