



US00D923142S

(12) **United States Design Patent**  
**Feng**

(10) **Patent No.:** **US D923,142 S**

(45) **Date of Patent:** **\*\* Jun. 22, 2021**

(54) **SPRAYER**

FOREIGN PATENT DOCUMENTS

(71) Applicant: **Wenjin Feng**, Guangdong Province (CN)

CN 201530494609.4 \* 6/2016

(72) Inventor: **Wenjin Feng**, Guangdong Province (CN)

OTHER PUBLICATIONS

(\*\*) Term: **15 Years**

Spraytech hose sprayer found on Mar. 3, 2021 at <https://www.amazon.com/SprayTec-Garden-Hose-Nozzle-Sprayer/dp/BOOYQ73WBW/> (Year: 2015).\*

(21) Appl. No.: **29/764,948**

\* cited by examiner

(22) Filed: **Jan. 5, 2021**

*Primary Examiner* — Karen S Acker

*Assistant Examiner* — Jonathan Emil Fiencke

(51) **LOC (13) Cl.** ..... **23-01**

(52) **U.S. Cl.**

USPC ..... **D23/226**

(58) **Field of Classification Search**

USPC ..... D23/225, 226, 255

See application file for complete search history.

(57) **CLAIM**

The ornamental design for a sprayer, as shown and described.

**DESCRIPTION**

(56) **References Cited**

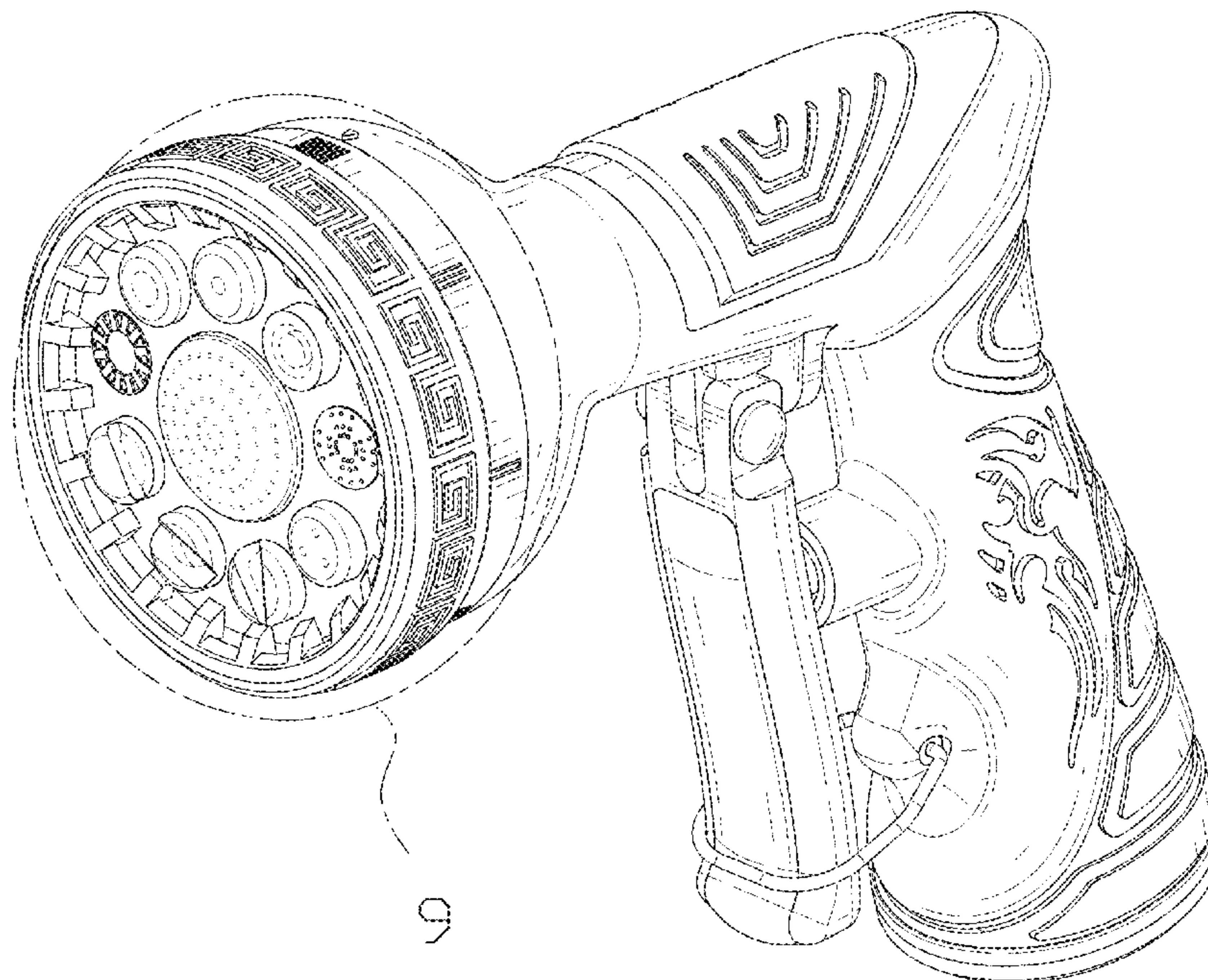
U.S. PATENT DOCUMENTS

D449,671 S *	10/2001	Wang	.....	D23/226
D452,297 S *	12/2001	Chao	.....	D23/226
D464,707 S *	10/2002	Wang	.....	D23/226
D465,550 S *	11/2002	Wang	.....	D23/226
D501,537 S *	2/2005	Zeng	.....	D23/226
D501,538 S *	2/2005	Zeng	.....	D23/226
D774,164 S *	12/2016	Chen	.....	D23/226
D782,007 S *	3/2017	Naslund	.....	D23/226
D782,008 S *	3/2017	Naslund	.....	D23/226
D800,255 S *	10/2017	Chen	.....	D23/226
D802,092 S *	11/2017	Naslund	.....	D23/223
D821,544 S	6/2018	Urry		
2006/0273205 A1 *	12/2006	Wang	.....	B05B 1/3026 239/526
2010/0264238 A1 *	10/2010	Wang	.....	B05B 1/1654 239/525

FIG. 1 is a front and top perspective view of a sprayer, showing my new design;  
FIG. 2 is a rear and bottom perspective view thereof;  
FIG. 3 is a front elevational view thereof;  
FIG. 4 is a rear elevational view thereof;  
FIG. 5 is a left side elevational view thereof;  
FIG. 6 is a right side elevational view thereof;  
FIG. 7 is a top plan view thereof;  
FIG. 8 is a bottom plan view thereof; and,  
FIG. 9 is an enlarged detail view of area 9 circumscribed in FIG. 1.

The evenly spaced broken lines in the figures depict portions of the sprayer that form no part of the claimed design. The dash dot dash lines in FIGS. 1 and 9 depict the boundary lines of the enlarged view and form no part of the claim.

**1 Claim, 9 Drawing Sheets**



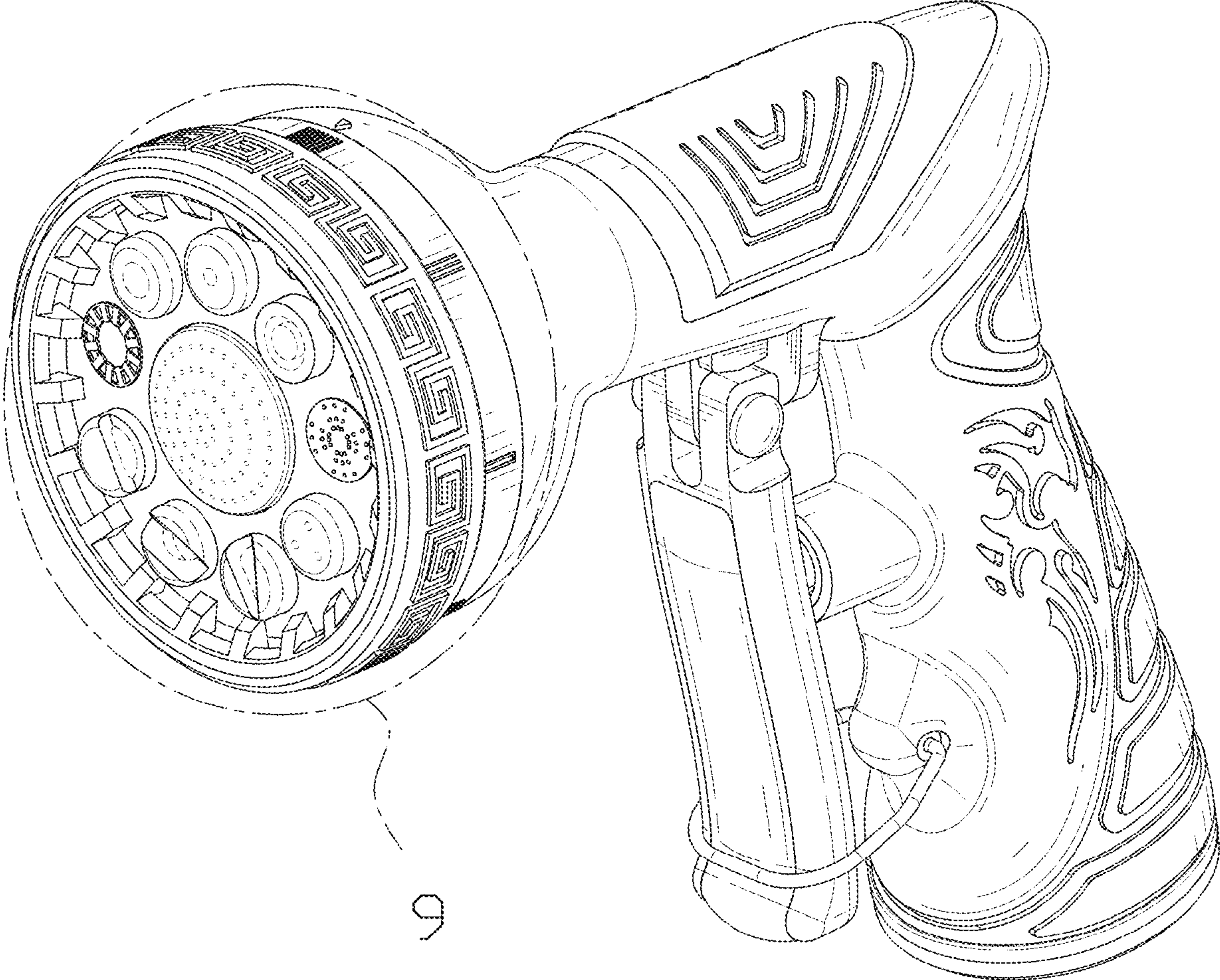


FIG. 1



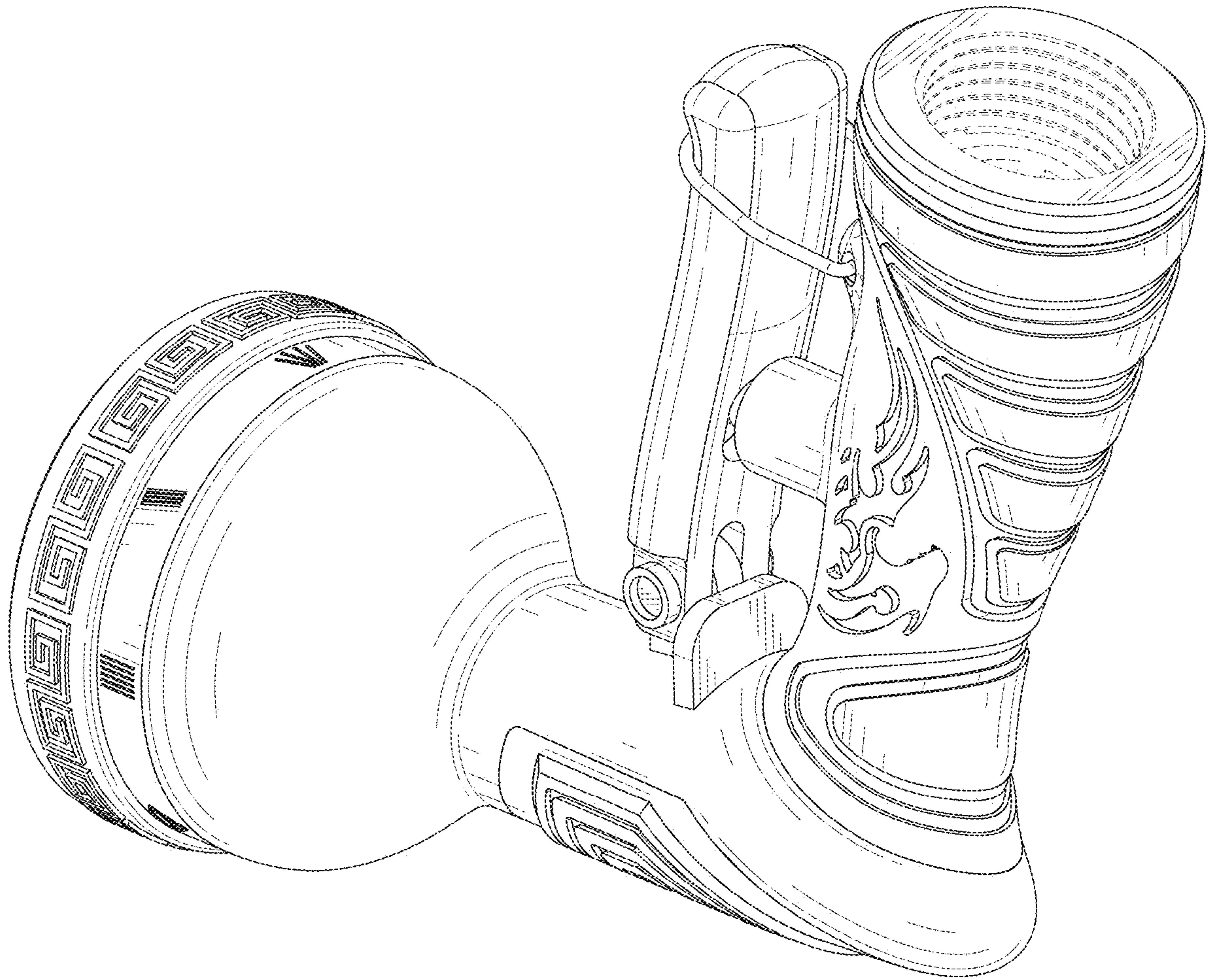


FIG. 2

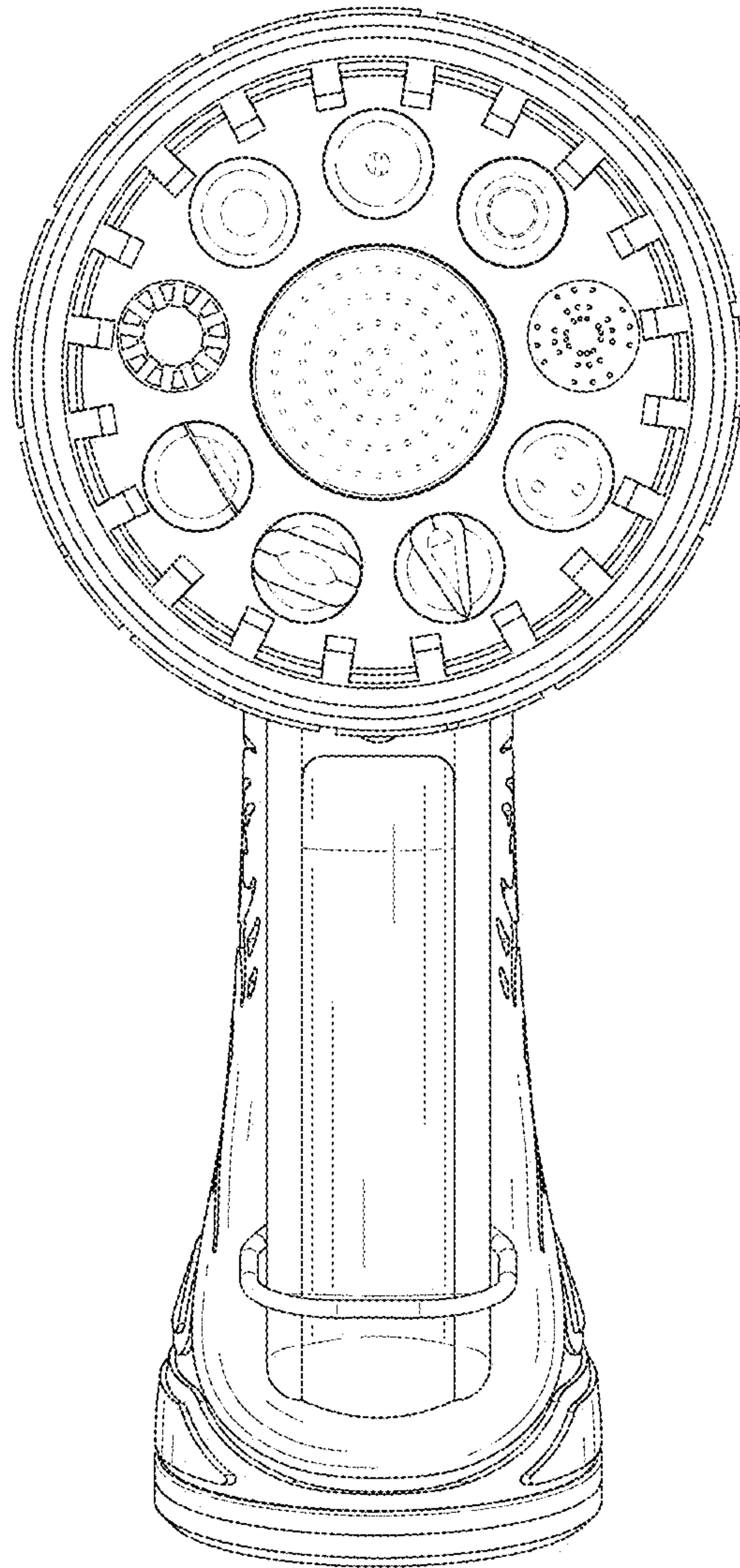


FIG. 3

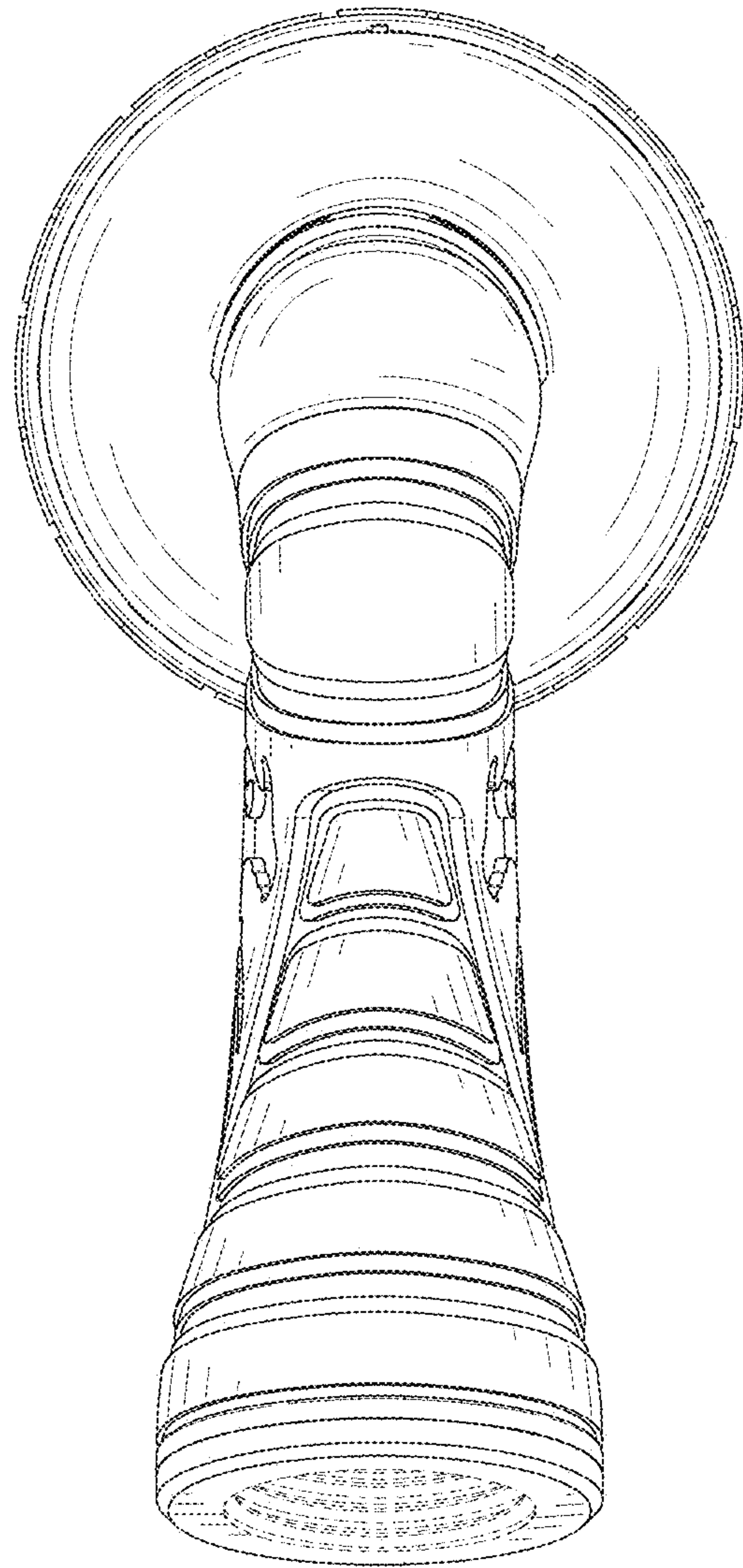


FIG. 4

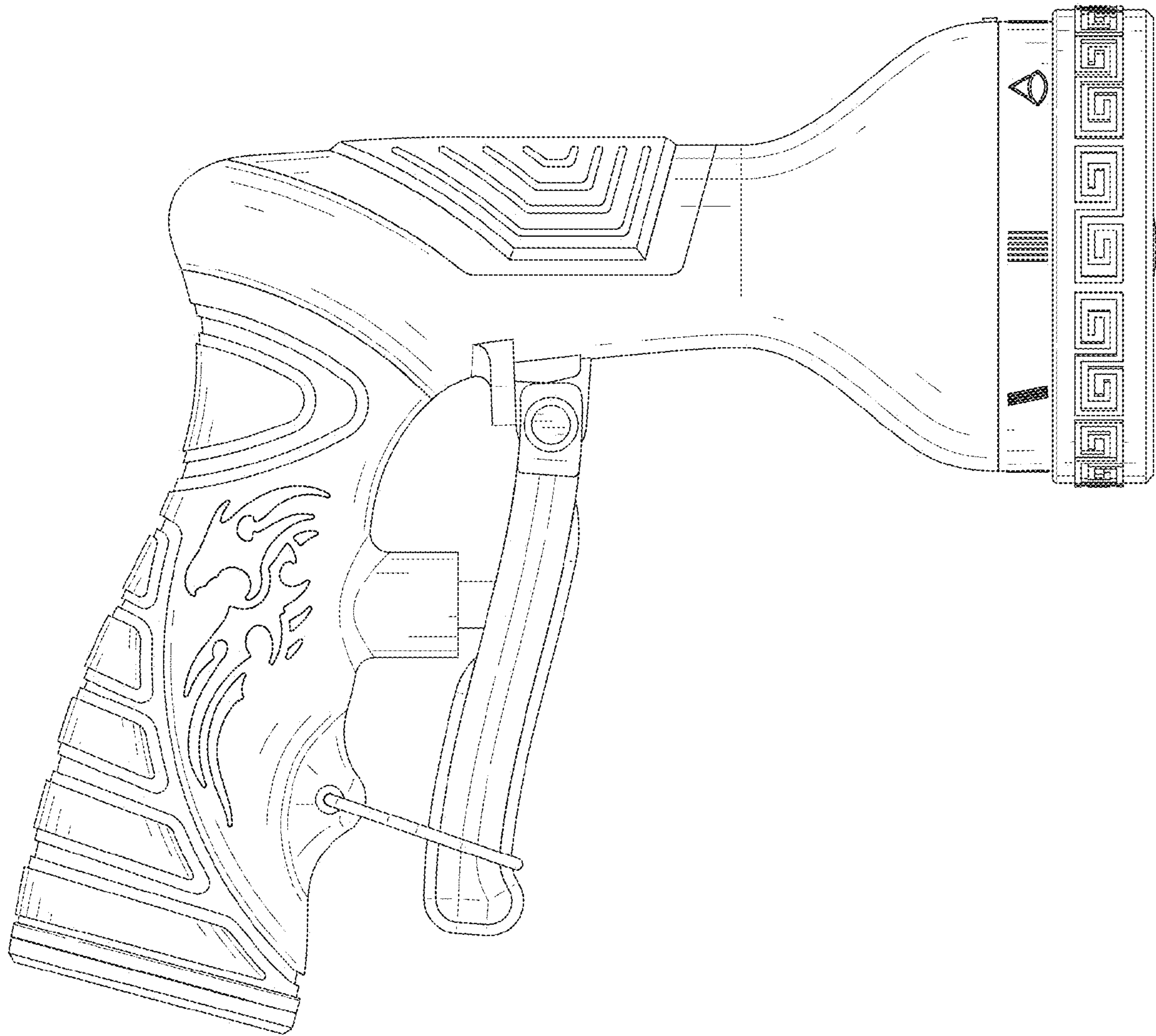


FIG. 5



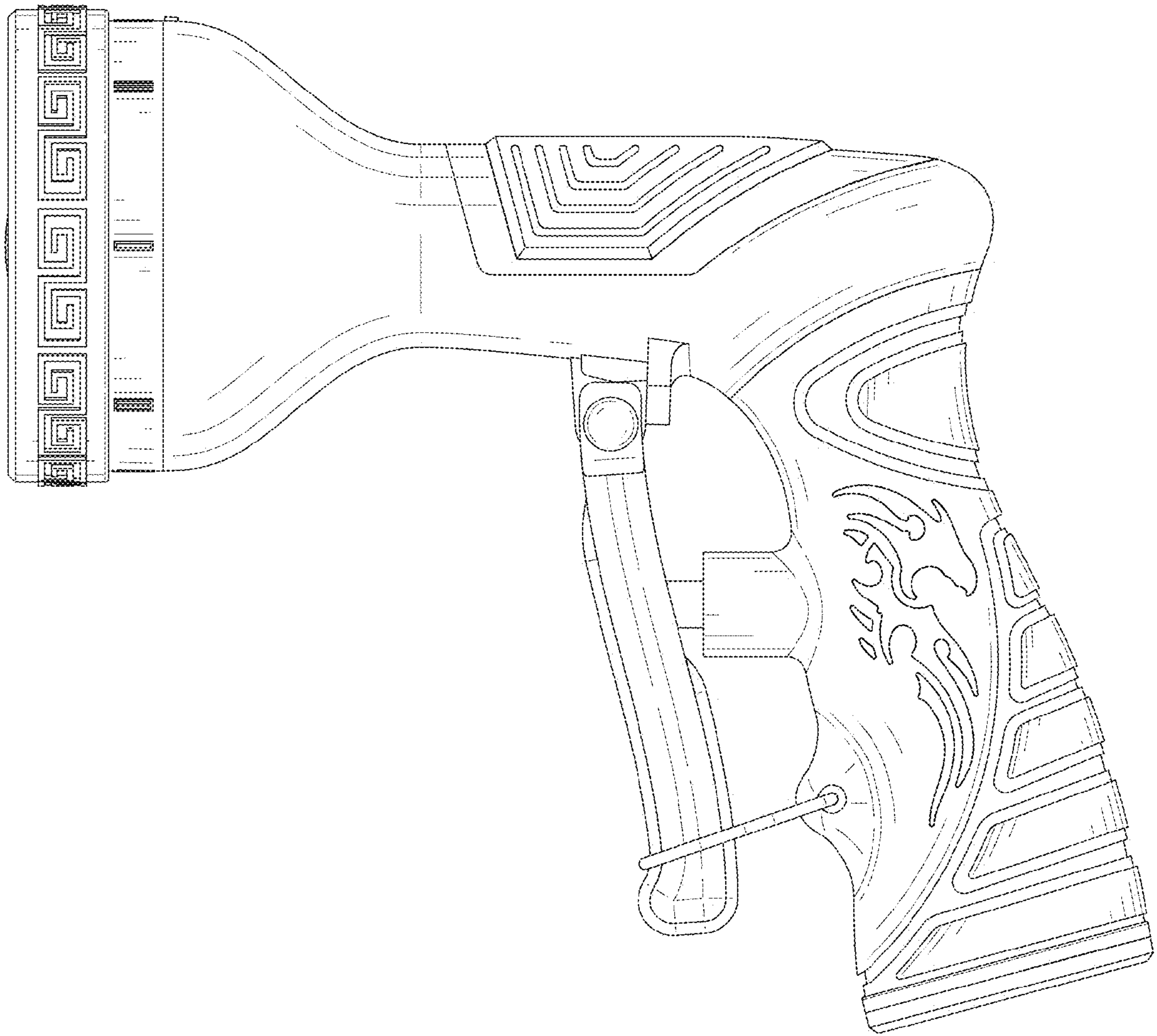


FIG. 6

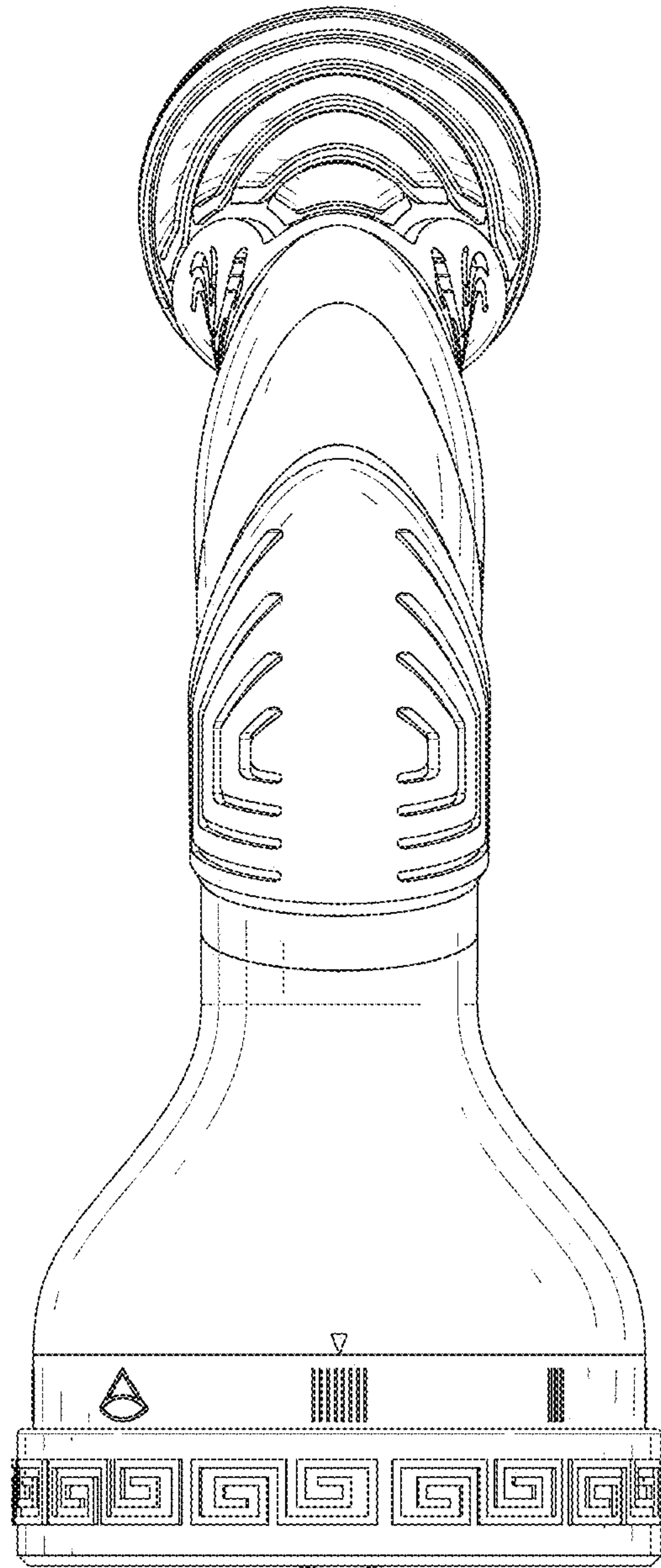


FIG. 7



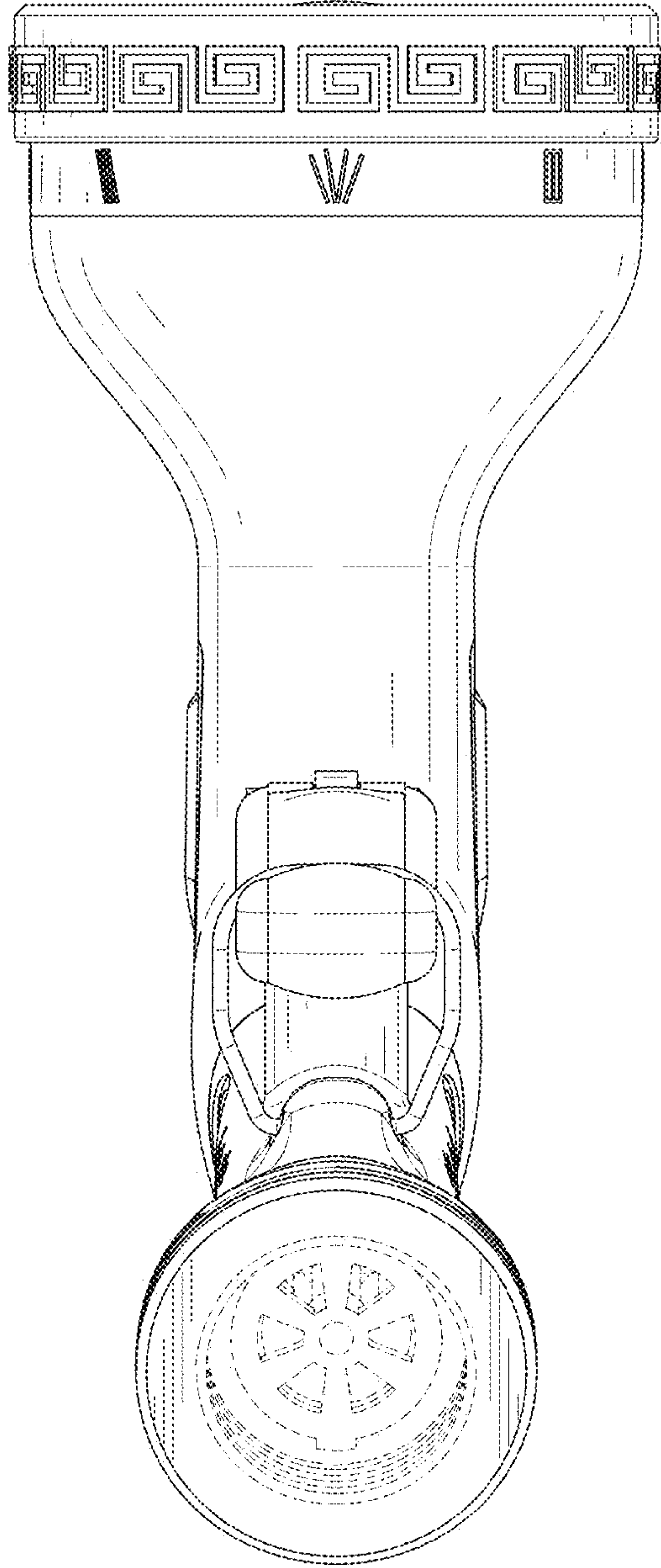


FIG. 8

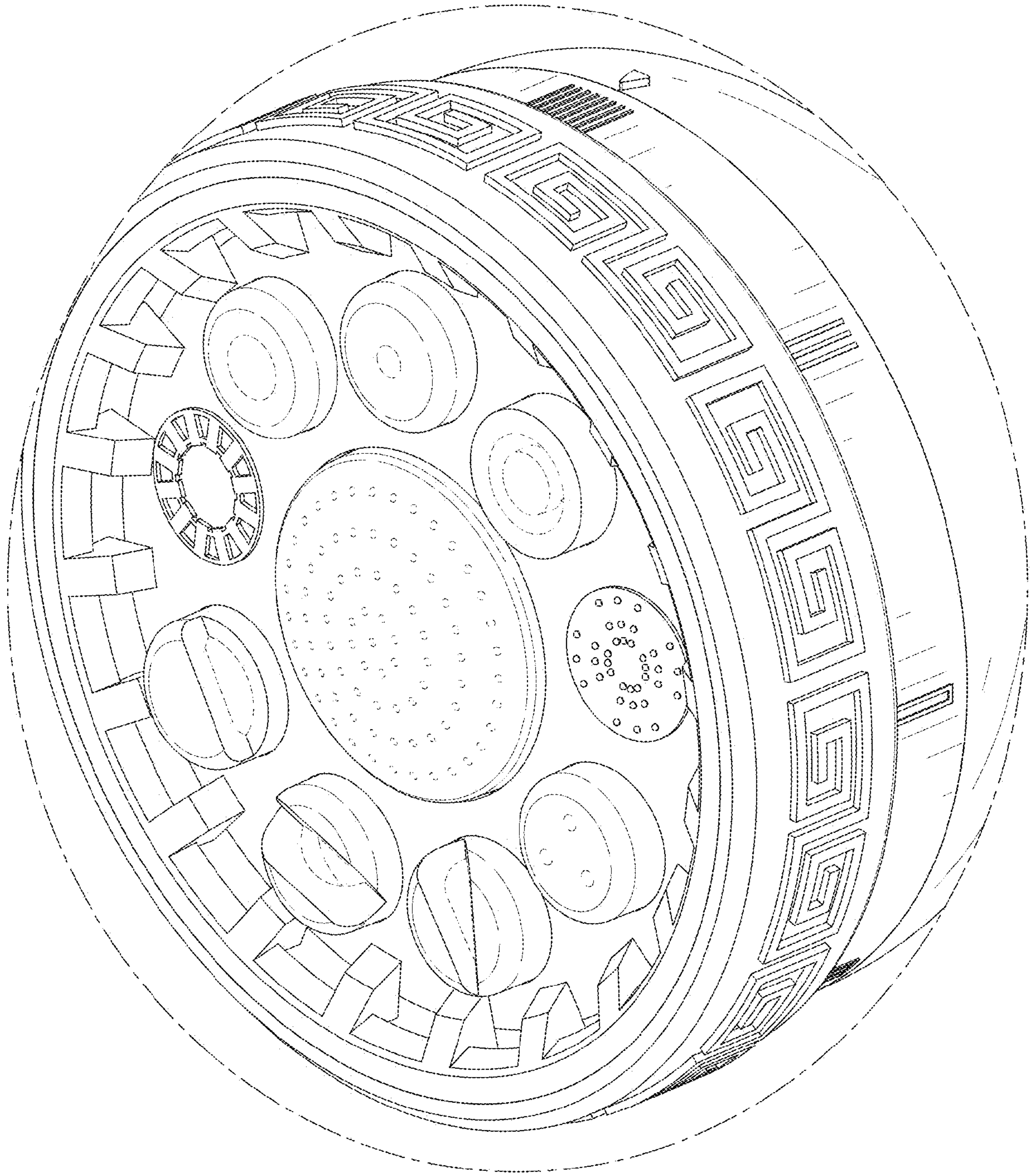


FIG. 9