



US00D923141S

(12) **United States Design Patent** (10) **Patent No.:** **US D923,141 S**
Slamans (45) **Date of Patent:** **** Jun. 22, 2021**

(54) **HANDLE**

(71) Applicant: **OUTDOOR TRADING LLC,**
Sheridan, WY (US)

(72) Inventor: **Andrew Slamans,** Sheridan, WY (US)

(73) Assignee: **OUTDOOR TRADING LLC,**
Sheridan, WY (US)

(**) Term: **15 Years**

(21) Appl. No.: **29/730,927**

(22) Filed: **Apr. 9, 2020**

(51) **LOC (13) Cl.** **23-01**

(52) **U.S. Cl.**
USPC **D23/223; D8/303**

(58) **Field of Classification Search**
USPC D23/213, 214, 215, 223, 224, 226, 229
CPC A61H 9/0021; A61H 33/00; B05B 1/00;
B05B 1/14; B05B 1/185; B05B 1/08;
B05B 1/02; B05B 1/26; B05B 12/002;
B05B 1/18; B05B 9/01

See application file for complete search history.

(56) **References Cited**

U.S. PATENT DOCUMENTS

D354,332 S *	1/1995	Wang	D23/223
D387,849 S *	12/1997	Wang	D23/223
D414,843 S *	10/1999	Kuo	D23/223
D415,250 S *	10/1999	Kuo	D23/223
D421,481 S *	3/2000	Kuo	D23/223
D564,065 S *	3/2008	Yu	D23/223
D622,327 S *	8/2010	Roos	D21/398
D634,087 S *	3/2011	Sgroi	D32/40
D707,334 S *	6/2014	Hernandez	D23/266
D807,147 S *	1/2018	Renault	D8/303

D823,091 S *	7/2018	Burchard	D8/303
D867,100 S *	11/2019	Papafagos	D8/303
D886,943 S *	6/2020	Slamans	D23/213
D900,964 S *	11/2020	Slamans	D23/223
2014/0338245 A1 *	11/2014	Lanasa	F41C 23/16 42/72

OTHER PUBLICATIONS

Solo 4800170-P Sprayer Shut-Off Valve Nov. 27, 2014 Amazon.com Mar. 12, 2021, URL: https://www.amazon.com/Solo-4800170-P-Sprayer-Shut-Off-Valve/dp/B000HHO6QU/ref=psdc_9001143011_t1_B00CMU10NW (Year: 2014).*

Rubies Costume Star Wars Clone Wars Anakin Skywalker Light Saber Jun. 16, 2009 Amazon.com Mar. 26, 2021, URL: <https://www.amazon.com/Rubies-Costume-Anakin-Skywalker-Accessory/dp/B0019LT4BU/> (Year: 2009).*

* cited by examiner

Primary Examiner — Jack Reickel

Assistant Examiner — Keith J Wilson

(74) *Attorney, Agent, or Firm* — DLA Piper LLP (US)

(57) **CLAIM**

The ornamental design for a handle, as shown and described.

DESCRIPTION

FIG. 1 is a perspective view of the handle showing my new design;

FIG. 2 is a front side view of the handle;

FIG. 3 is a back side view of the handle;

FIG. 4 is a left side view of the handle;

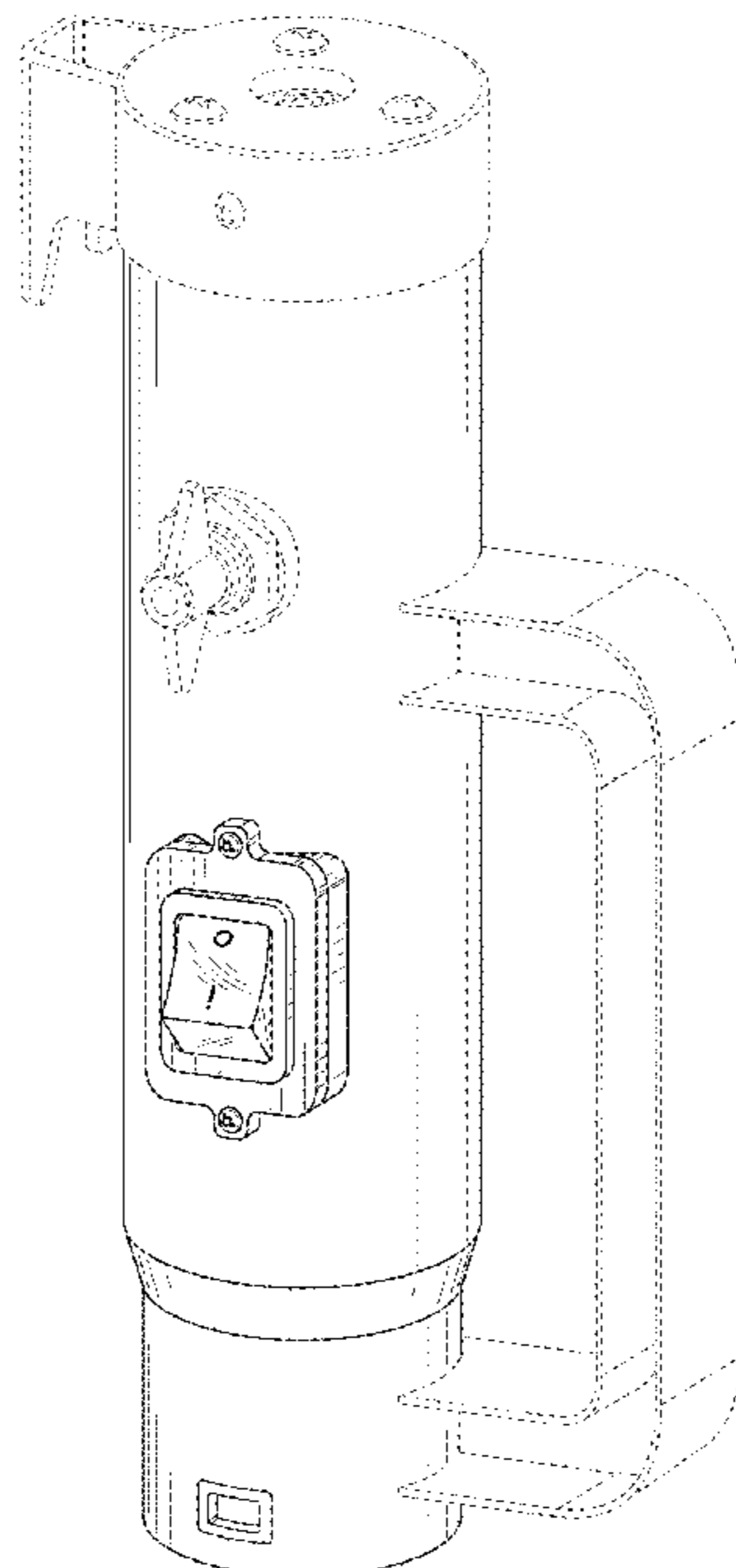
FIG. 5 is a right view of the handle;

FIG. 6 is a top view of the handle; and,

FIG. 7 is a bottom view of the handle.

The broken lines in the drawings depict portions form no part of the claimed design.

1 Claim, 6 Drawing Sheets



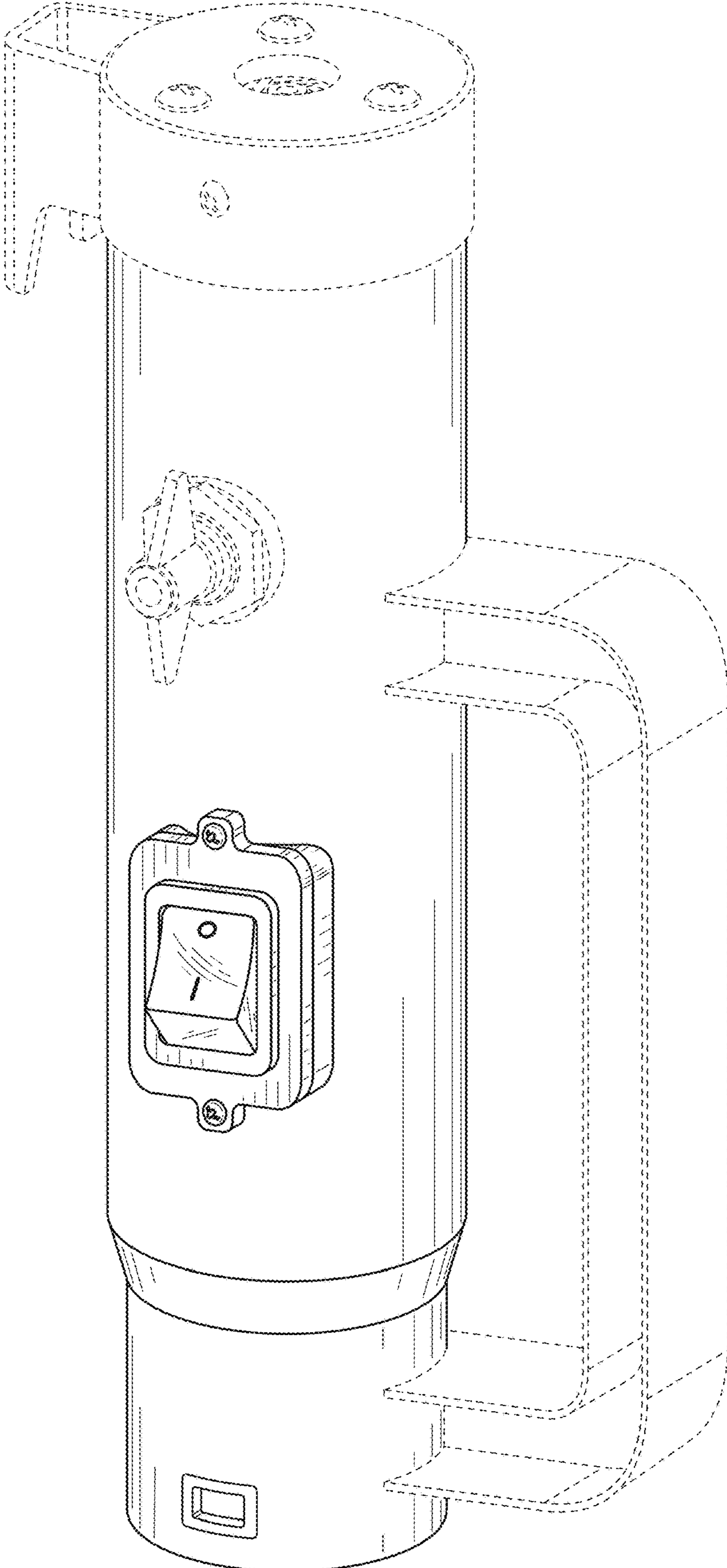


FIG. 1

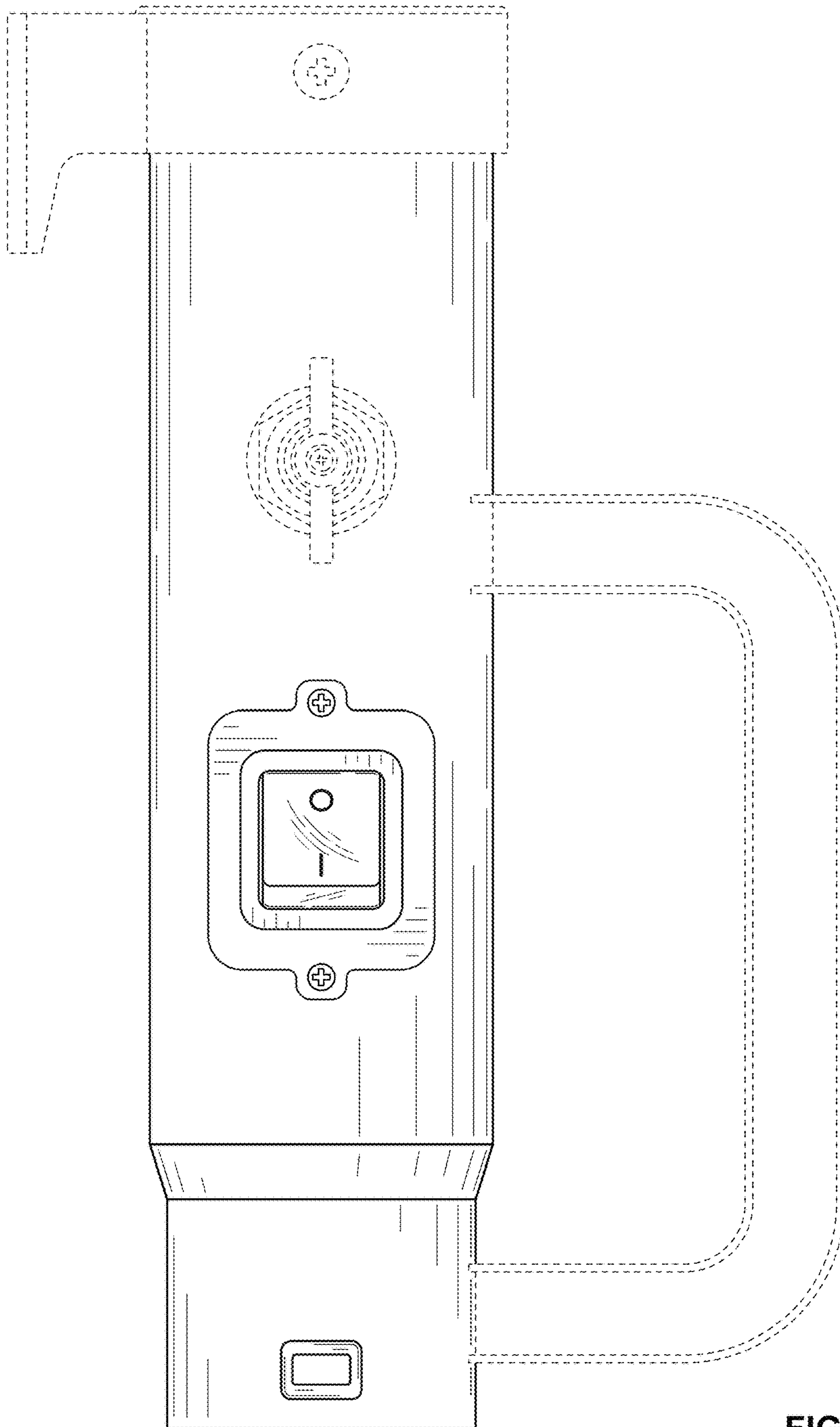


FIG. 2

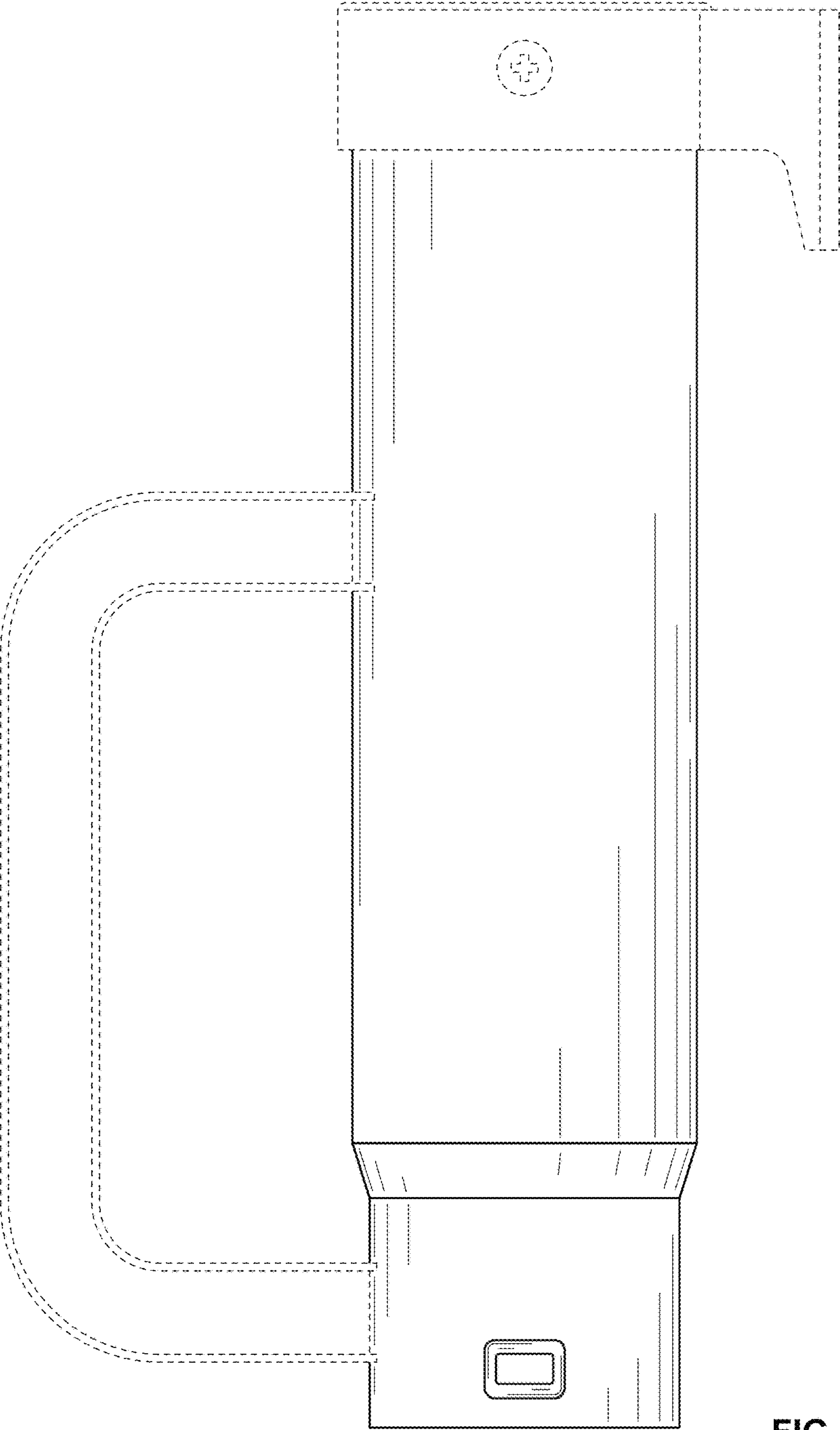


FIG. 3

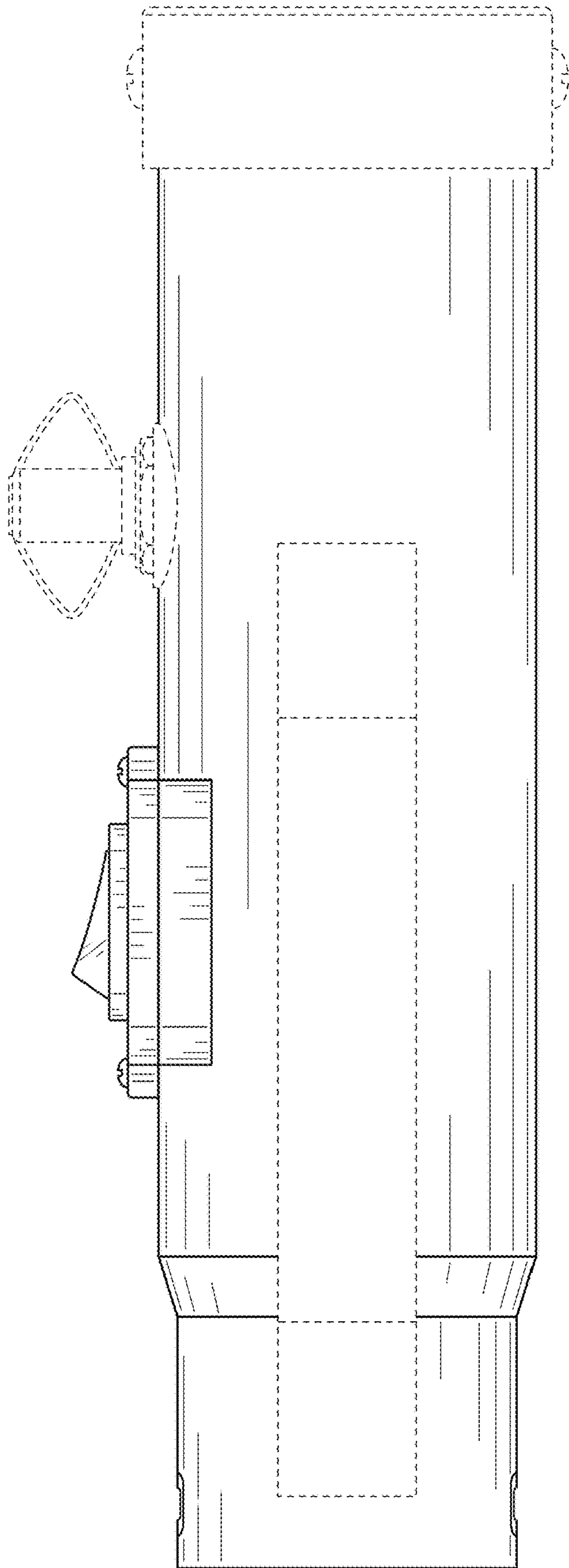


FIG. 4

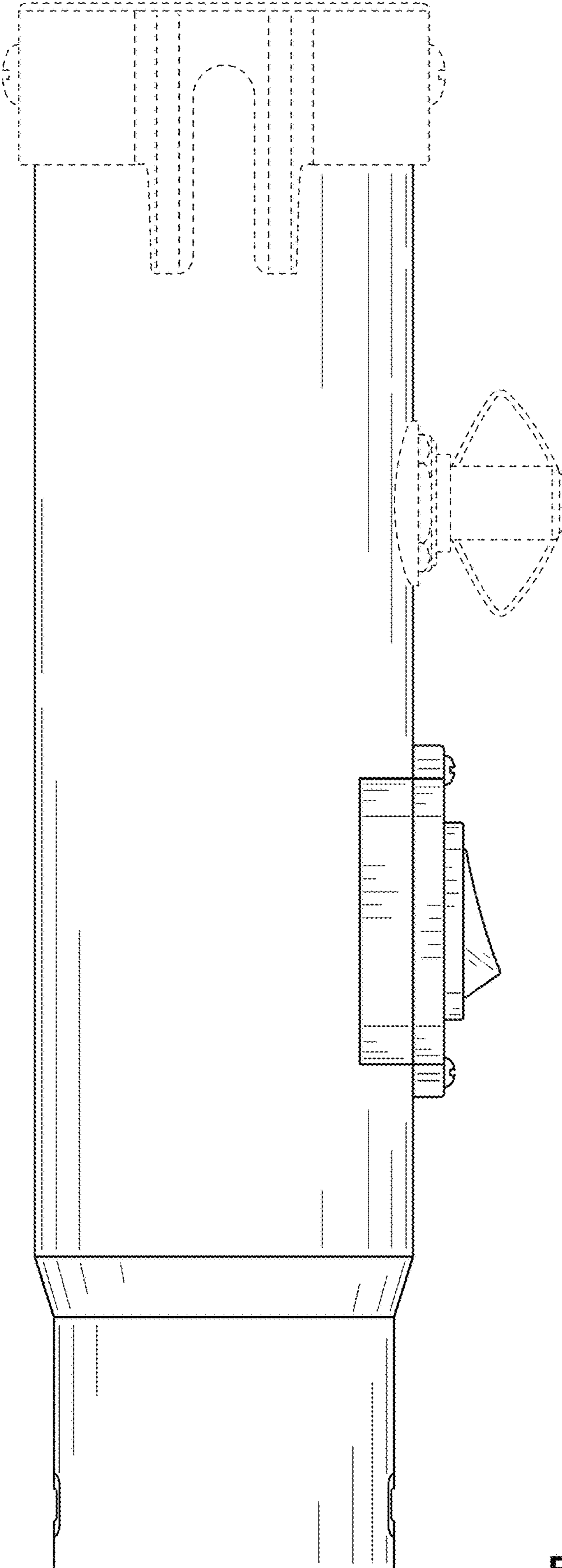


FIG. 5

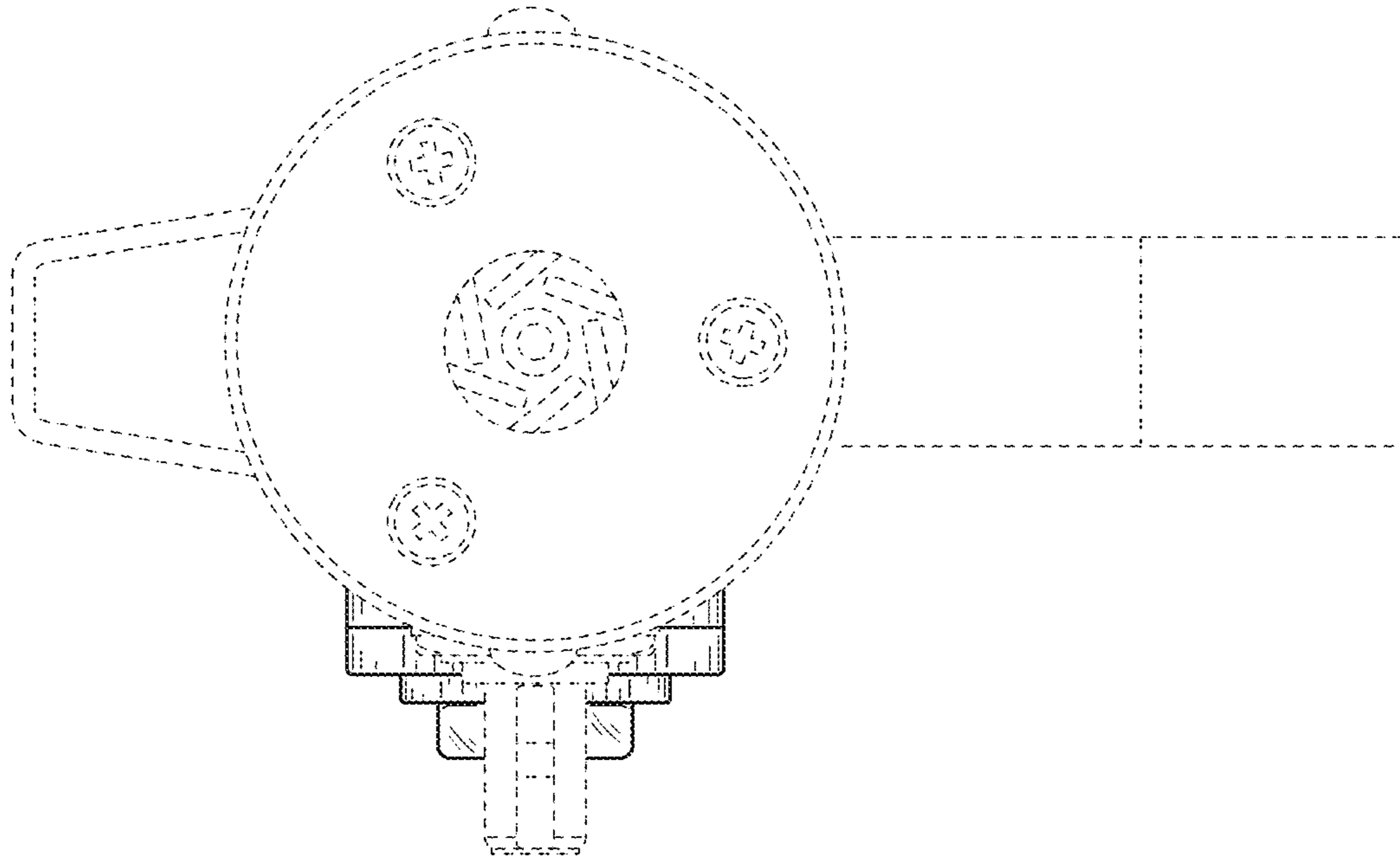


FIG. 6

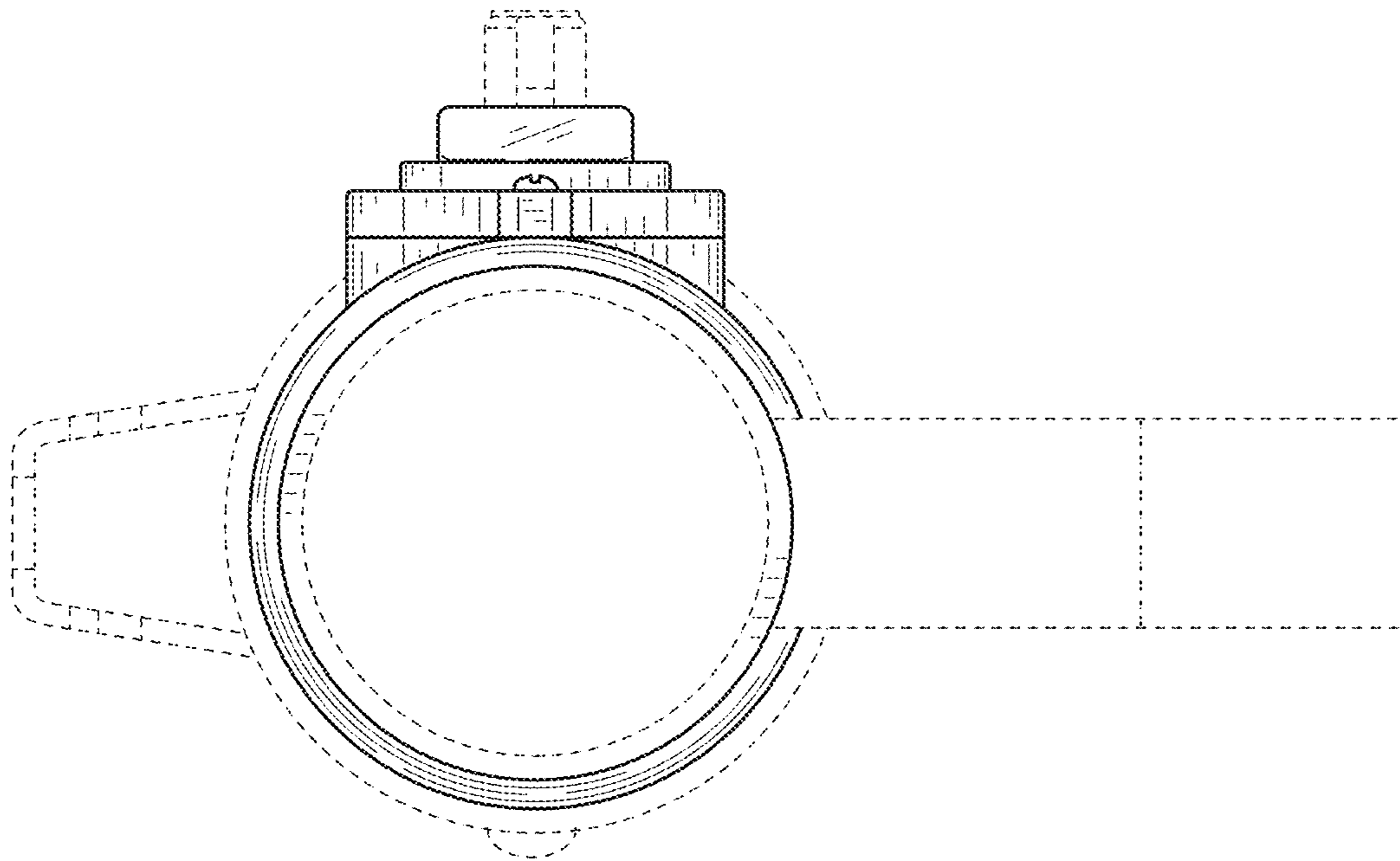


FIG. 7