



US00D923140S

(12) **United States Design Patent** (10) **Patent No.:** **US D923,140 S**  
**Yu** (45) **Date of Patent:** **\*\* Jun. 22, 2021**

(54) **GAS CAN SPOUT**

(71) Applicant: **ENJOIN INDUSTRIAL LTD,**  
Shanghai (CN)

(72) Inventor: **Xiaojun Yu,** Shanghai (CN)

(\*\*) Term: **15 Years**

(21) Appl. No.: **29/711,998**

(22) Filed: **Nov. 5, 2019**

(51) **LOC (13) Cl.** ..... **23-01**

(52) **U.S. Cl.**  
USPC ..... **D23/213**

(58) **Field of Classification Search**  
USPC ..... D23/211, 211.1, 211.2, 213, 223, 224,  
D23/226, 231, 249, 255, 257, 260, 262,  
D23/263, 266; D3/435, 447  
CPC ... B67D 5/37; B67D 7/50; F16L 37/00; F16L  
37/46; F17C 13/12; F17C 2205/0376  
See application file for complete search history.

(56) **References Cited**

**U.S. PATENT DOCUMENTS**

D209,871 S *	1/1968	Grebow .....	D9/447
D298,015 S *	10/1988	Gendron .....	D9/447
D310,172 S *	8/1990	Parker .....	D7/700
D667,530 S *	9/2012	Wyne .....	D23/213
D691,709 S *	10/2013	Franzino .....	D23/266
D698,415 S *	1/2014	Wyne .....	D23/213

D699,320 S *	2/2014	Wyne .....	D23/213
D792,214 S *	7/2017	Kerill .....	B65D 47/06 D9/442
2016/0060005 A1 *	3/2016	Dodia .....	B65D 47/06 222/478

\* cited by examiner

*Primary Examiner* — Keli L Hill

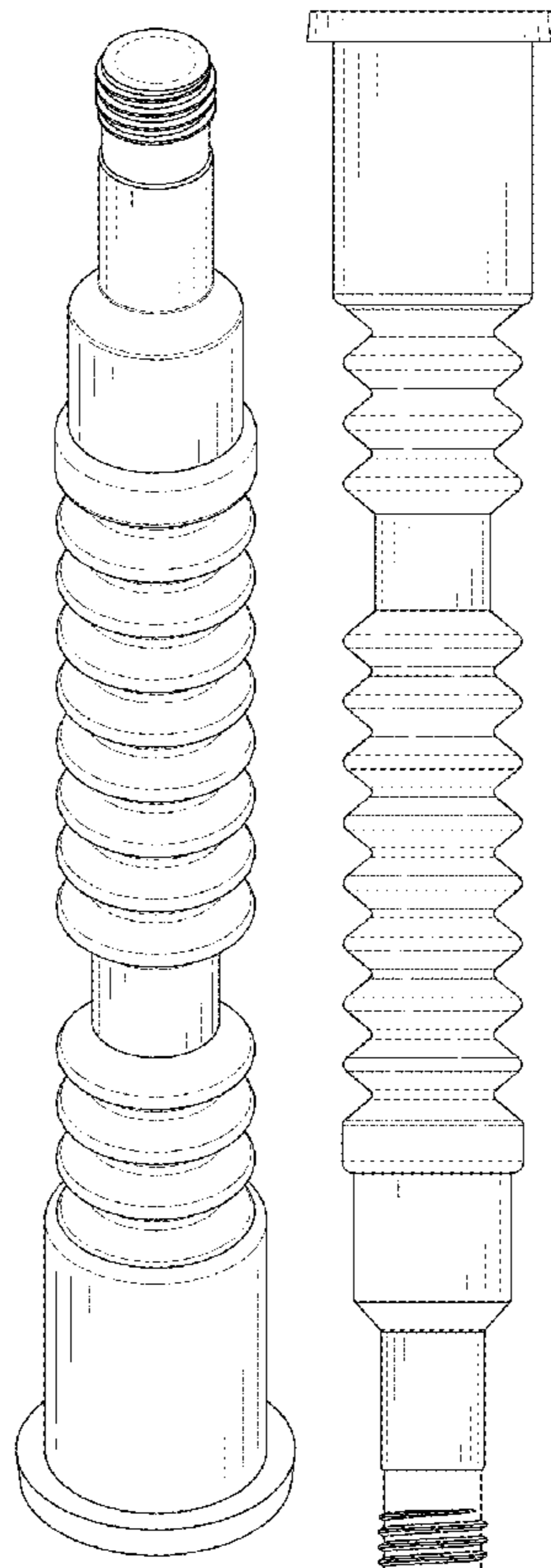
(57) **CLAIM**

The ornamental design for a gas can spout, as shown and described.

**DESCRIPTION**

FIG. 1 is a front and top perspective view of a gas can spout, showing my new design;  
FIG. 2 is a rear and bottom perspective view thereof;  
FIG. 3 is a front elevational view thereof;  
FIG. 4 is a rear elevational view thereof;  
FIG. 5 is a left side elevational view thereof;  
FIG. 6 is a right side elevational view thereof;  
FIG. 7 is a top plan view thereof;  
FIG. 8 is a bottom plan view thereof; and,  
FIG. 9 is an enlarged top view thereof.  
The broken lines in the figures illustrate portions of the gas can spout that form no part of the claimed design.

**1 Claim, 9 Drawing Sheets**



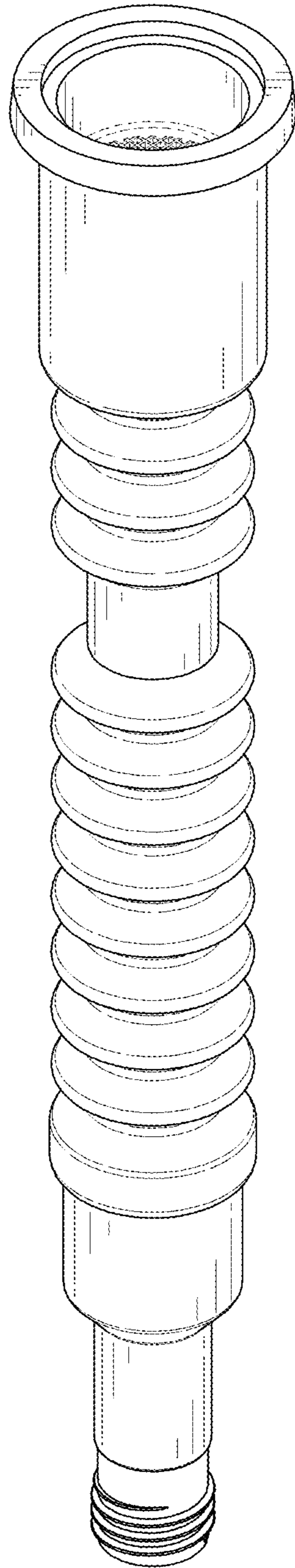


FIG. 1

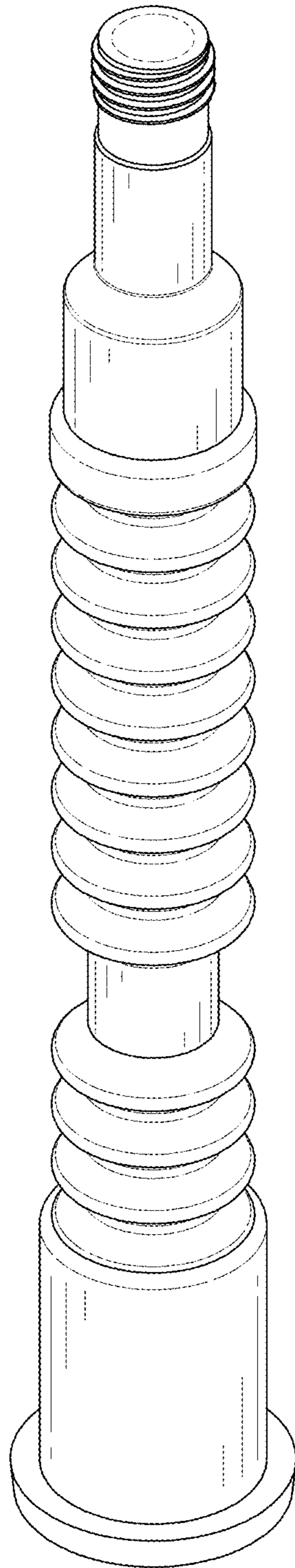


FIG. 2

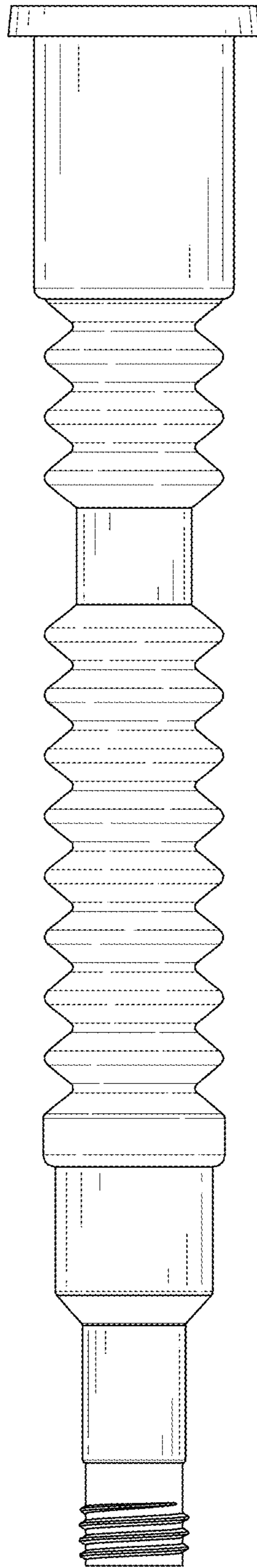


FIG. 3

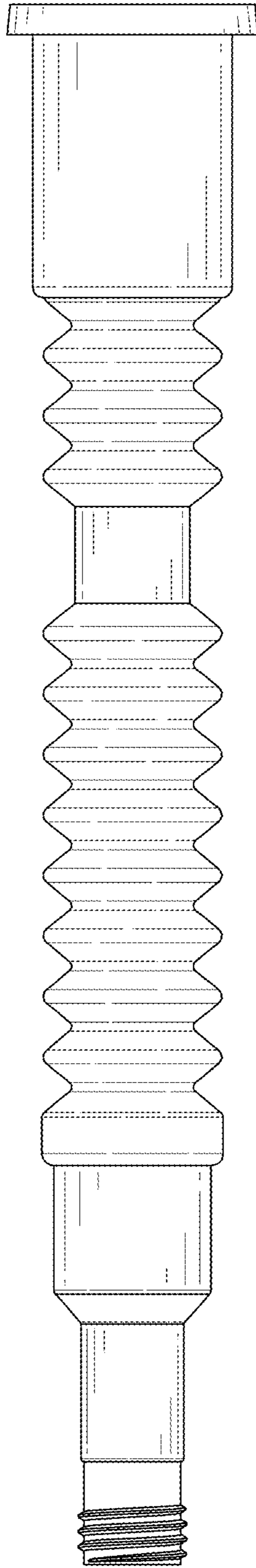


FIG. 4

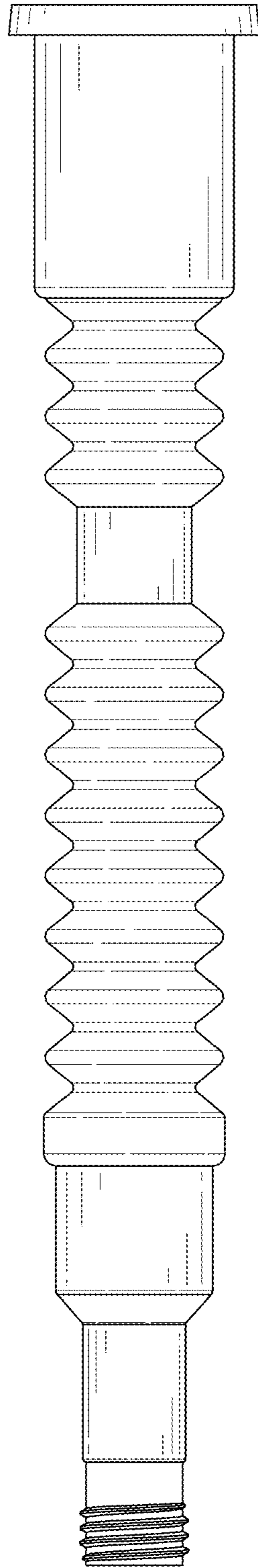


FIG. 5

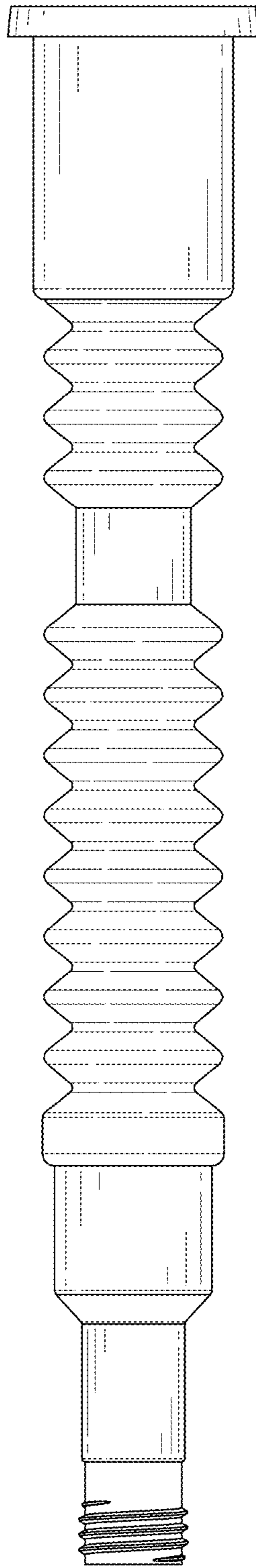


FIG. 6

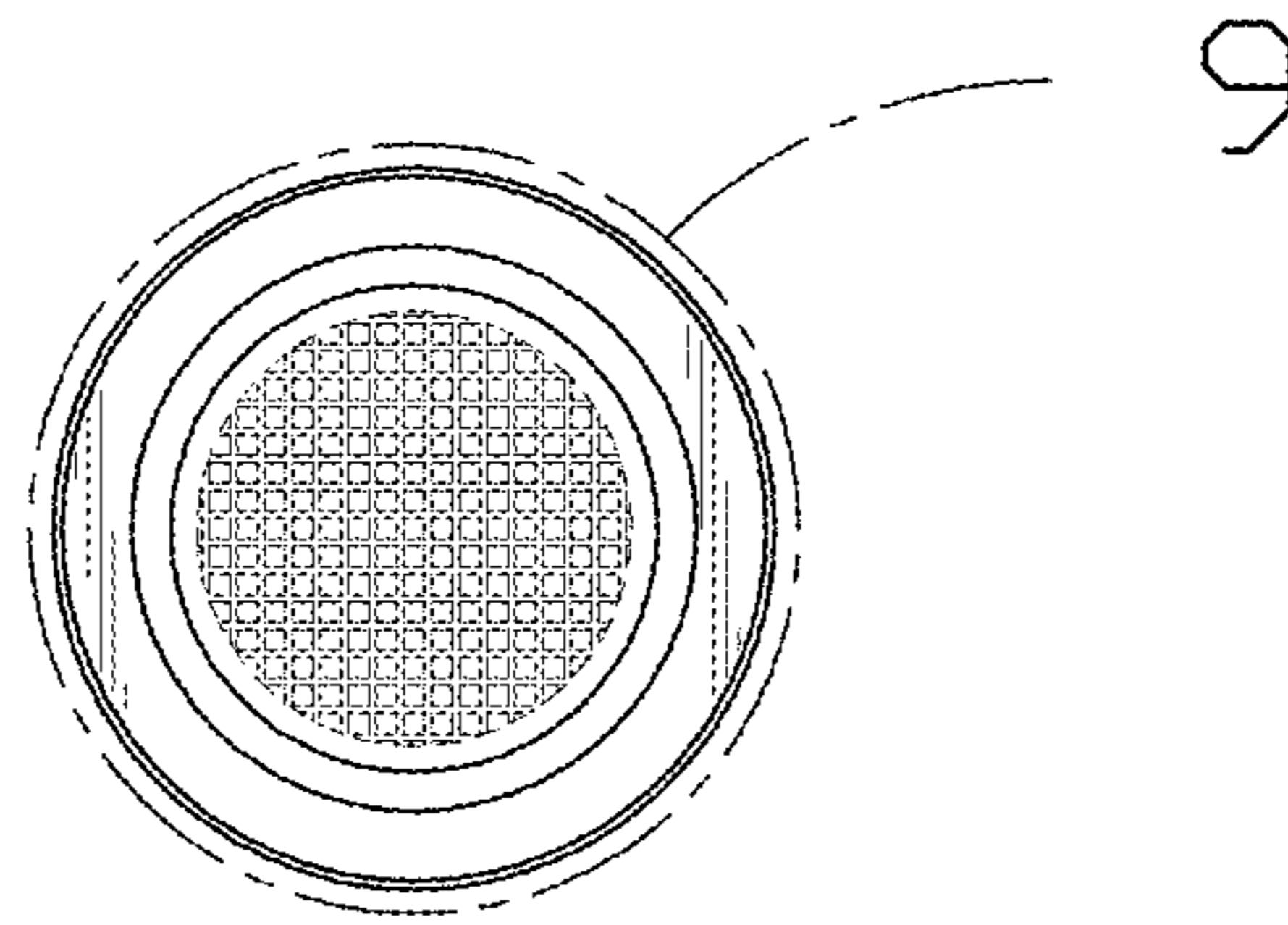


FIG. 7



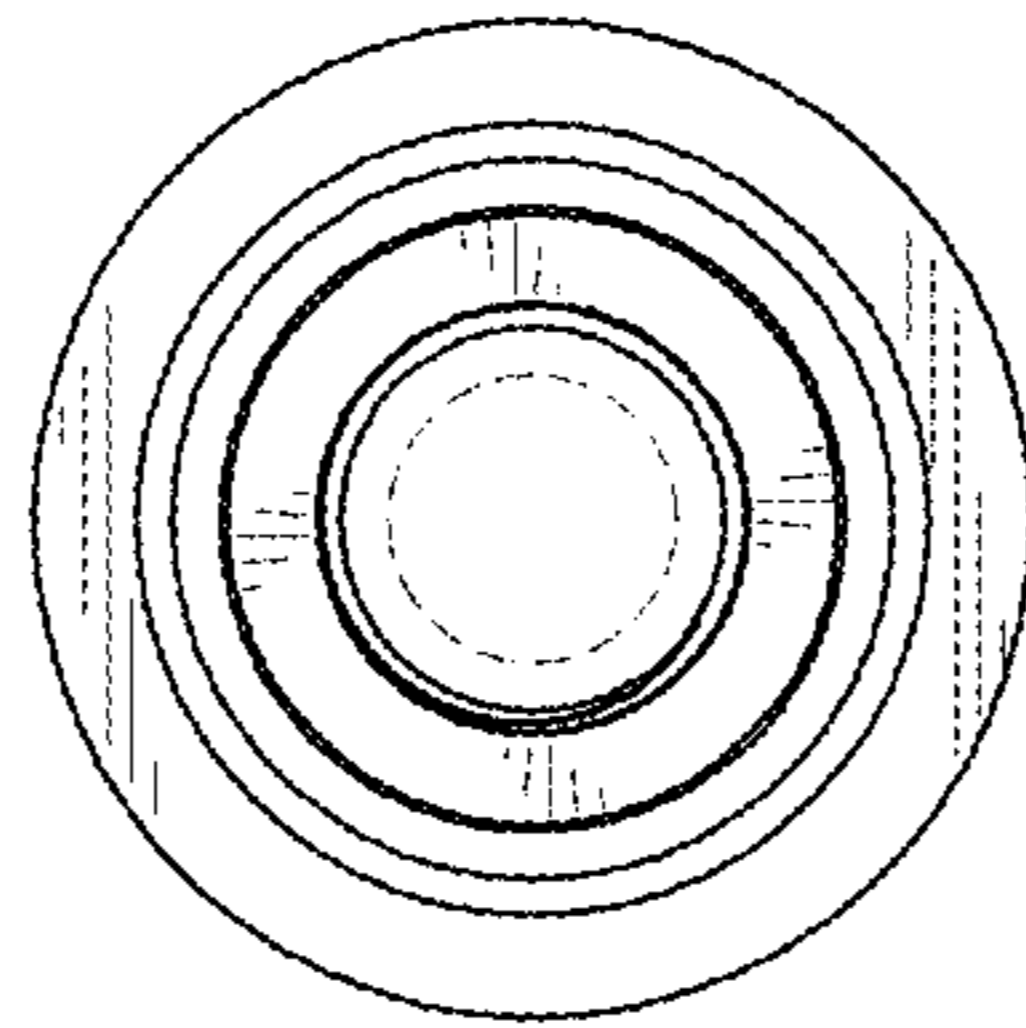


FIG. 8

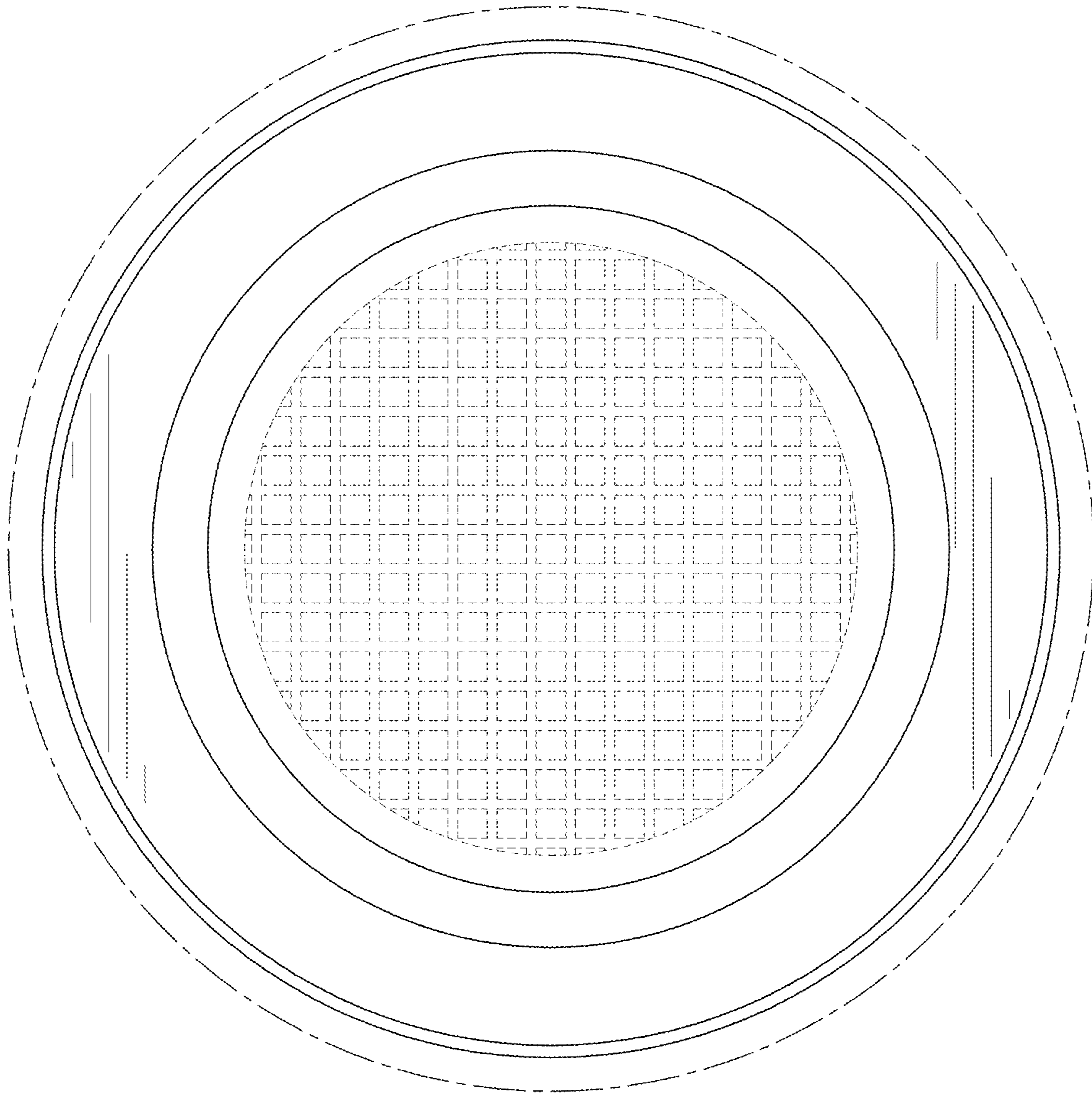


FIG. 9