

US00D923139S

(12) **United States Design Patent** (10) **Patent No.:** **US D923,139 S**
Zach et al. (45) **Date of Patent:** **** Jun. 22, 2021**

(54) **SET OF TOILET RIM-BLOCKS**
(71) Applicant: **S. C. Johnson & Son, Inc.**, Racine, WI (US)

D368,519 S 4/1996 Harrison et al.
D368,822 S * 4/1996 Gibree 5/653
5,729,835 A 3/1998 Williams
D414,259 S * 9/1999 Burrows D24/101
(Continued)

(72) Inventors: **Steven A. Zach**, Waterford, WI (US);
Austin R. Barger, Lafayette, CO (US)

FOREIGN PATENT DOCUMENTS

(73) Assignee: **S. C. Johnson & Son, Inc.**, Racine, WI (US)

AR 328320001 11/1998
AT 3970/19980001 11/1998
(Continued)

(**) Term: **15 Years**

OTHER PUBLICATIONS

(21) Appl. No.: **29/694,112**

Viagra, announced Mar. 27, 2013[online], [site visited Oct. 28, 2020], Available from internet, URL:<<https://www.cnn.com/2013/03/27/health/viagra-anniversary-timeline/index.html>> (Year: 2013).*
(Continued)

(22) Filed: **Jun. 7, 2019**

(51) **LOC (13) Cl.** **23-01**

(52) **U.S. Cl.**
USPC **D23/208**

(58) **Field of Classification Search**
USPC D23/208, 368; D28/7-8, 8.1, 20-22, D28/30-63; D1/100, 101, 127, 129; D24/101; D32/40; D4/127, 129; 15/210, 244; 132/317, 320
See application file for complete search history.

Primary Examiner — Barbara Fox
Assistant Examiner — Jamaal Rasheed

(57) **CLAIM**

The ornamental design for a set of toilet rim-blocks, as shown and described.

DESCRIPTION

(56) **References Cited**

U.S. PATENT DOCUMENTS

1,502,634 A 7/1924 Ingebritson
1,974,955 A 9/1934 Foltis Anestis
3,472,242 A 10/1969 Demner
3,604,020 A 9/1971 Moisa
D241,685 S * 10/1976 Warren et al. D1/101
4,168,551 A 9/1979 Hautmann et al.
4,203,172 A 5/1980 Goncalves
4,395,932 A 8/1983 Mills
4,537,001 A * 8/1985 Uppstrom B44C 3/123
273/157 R
D281,867 S 12/1985 Swesey et al.
D366,524 S 1/1996 Chung

FIG. 1 is a top, front, right perspective view of a set of toilet rim-blocks showing our new design in its exemplary environment;

FIG. 2 is a front view thereof;

FIG. 3 is a rear view thereof;

FIG. 4 is a left side view thereof;

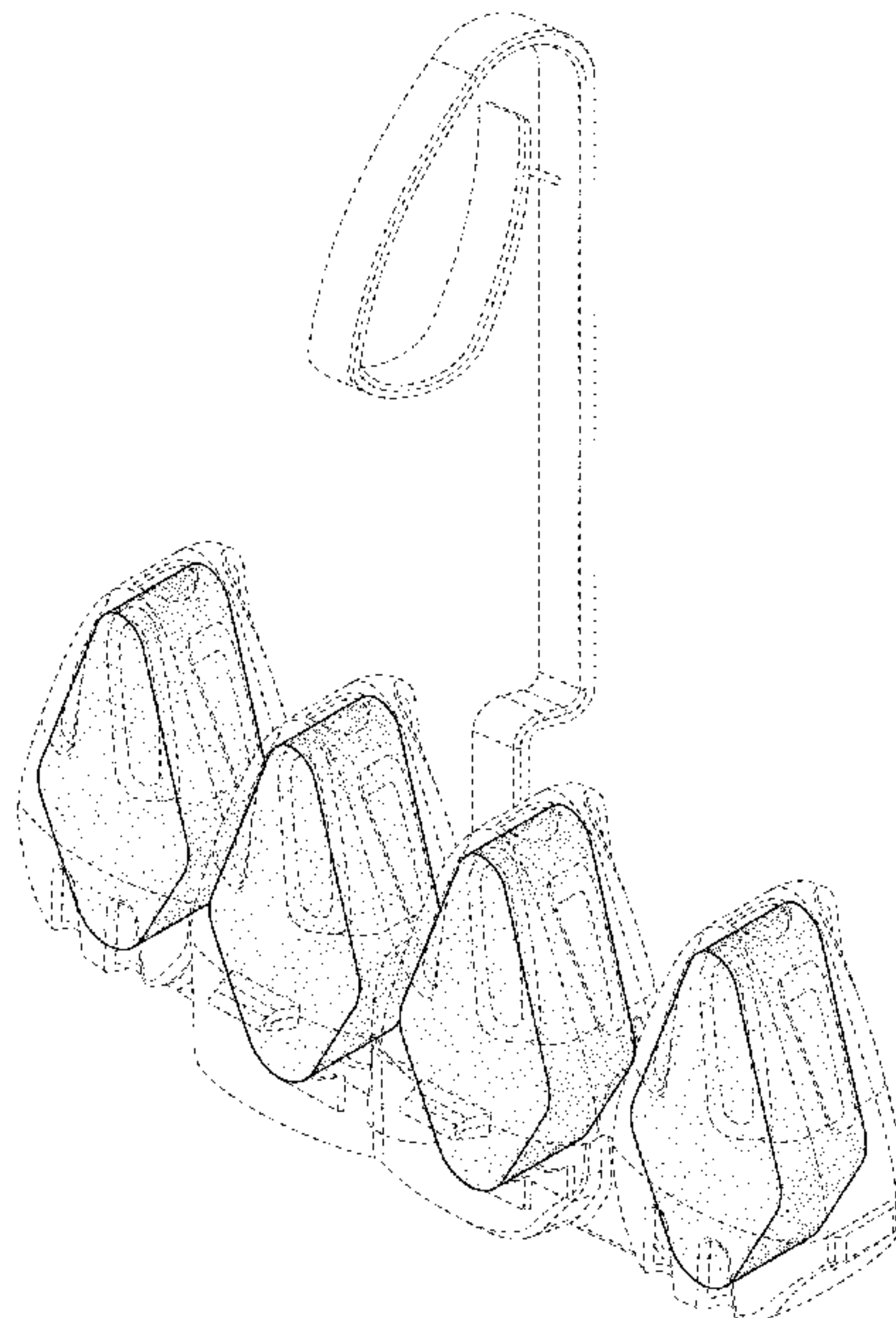
FIG. 5 is a right side view thereof;

FIG. 6 is a top view thereof; and,

FIG. 7 is a bottom view thereof.

The broken lines showing a set of toilet rim-block holder depicts environment which forms no part of the claimed design.

1 Claim, 5 Drawing Sheets



(56)

References Cited

- U.S. PATENT DOCUMENTS
- D414,552 S * 9/1999 Burrows D24/101
D415,272 S * 10/1999 Burrows D24/101
D450,883 S * 11/2001 Buter D1/127
6,311,340 B1 11/2001 Thompson
D456,888 S 5/2002 Buthier
D457,731 S * 5/2002 Isaac D32/40
D461,006 S 7/2002 Buthier
D463,067 S 9/2002 Hahn
D463,547 S 9/2002 Mascuilli
D464,107 S 10/2002 Holmes et al.
6,505,356 B1 1/2003 Leonard et al.
6,519,783 B2 2/2003 Falchieri
6,589,925 B1 * 7/2003 Binstock C11D 17/0078
510/141
- D478,973 S 8/2003 Wagner
D482,412 S 11/2003 Manville
6,647,558 B2 11/2003 Falchieri
6,651,261 B1 11/2003 Leonard et al.
6,675,396 B2 1/2004 Varanasi et al.
D498,841 S * 11/2004 Bell D24/124
6,817,040 B2 11/2004 Klinkhammer et al.
D507,051 S * 7/2005 Bell D24/125
D507,628 S 7/2005 McLellan et al.
6,934,973 B2 8/2005 Lehmann et al.
D509,891 S 9/2005 Rymer
D514,679 S 2/2006 Wheatley
7,028,917 B2 4/2006 Buthier
7,137,570 B2 11/2006 Wheatley et al.
D535,741 S * 1/2007 Stawski D24/101
D536,059 S 1/2007 King et al.
D537,914 S 3/2007 King et al.
D540,454 S 4/2007 Ruiz Ballesteros et al.
D541,902 S 5/2007 Cheung et al.
D552,710 S 10/2007 King
D554,309 S * 10/2007 Wolk D32/40
D555,757 S 11/2007 Cheung et al.
D556,946 S * 12/2007 Seum D24/101
D556,947 S * 12/2007 Seum D24/101
D559,441 S * 1/2008 Schwartz D28/8.1
D564,650 S 3/2008 Hasik et al.
D568,960 S 5/2008 Cheung et al.
D574,922 S 8/2008 Cheung et al.
D580,547 S 11/2008 Lolis et al.
D581,507 S 11/2008 Schwartz et al.
D583,902 S 12/2008 Cheung et al.
D594,953 S 6/2009 King et al.
D596,738 S 7/2009 Chen et al.
D613,368 S 4/2010 Padain et al.
D616,974 S * 6/2010 Hakim D23/367
D623,371 S * 9/2010 Li D32/40
7,788,740 B2 9/2010 De Belder et al.
7,832,025 B2 11/2010 Virica et al.
D640,026 S * 6/2011 Soegaard D32/43
7,971,284 B2 7/2011 Pessel et al.
D642,666 S 8/2011 Brooks
D642,668 S 8/2011 Lablaine
3,051,503 A1 11/2011 Nguyen et al.
D654,532 S 2/2012 Morales
D655,778 S 3/2012 Muhlhausen
D656,575 S 3/2012 Muhlhausen
D656,576 S 3/2012 Muhlhausen
D659,793 S 5/2012 Muhlhausen
8,181,282 B2 5/2012 Butter-Jentsch et al.
D662,174 S 6/2012 Reijnders
8,316,471 B2 11/2012 Pessel et al.
D679,778 S 4/2013 Gerhards
D685,081 S * 6/2013 Ferguson D24/101
D685,545 S * 7/2013 Ono D32/40
D689,167 S 9/2013 Gerhards
D698,004 S 1/2014 Bruining et al.
8,695,124 B2 4/2014 Hsu
D719,711 S * 12/2014 Mozeika, III D32/40
D720,427 S 12/2014 Wang et al.
D720,428 S 12/2014 Wang et al.
D720,830 S 1/2015 Wang et al.
- D722,154 S 2/2015 Muller et al.
D724,778 S * 3/2015 Hulan D27/100
8,987,182 B2 3/2015 Warkotsch et al.
D739,516 S * 9/2015 Hulan D24/101
D742,066 S * 10/2015 Watabe D28/8.1
D748,222 S 1/2016 Gerhards
D758,008 S * 5/2016 Kolby D28/7
9,334,640 B2 5/2016 Burt et al.
D760,991 S * 7/2016 Ajmera D1/128
D762,810 S 8/2016 Venini
D772,374 S 11/2016 Bruining
D772,375 S 11/2016 Bruining
D784,491 S * 4/2017 Hale D23/208
D787,631 S 5/2017 Gerhards
D787,632 S 5/2017 Gerhards et al.
D787,633 S 5/2017 Gerhards et al.
D788,257 S 5/2017 Gerhards et al.
D788,258 S 5/2017 Gerhards et al.
D788,259 S 5/2017 Gerhards et al.
D788,260 S 5/2017 Gerhards et al.
D788,261 S 5/2017 Gerhards et al.
D788,262 S 5/2017 Gerhards et al.
D789,485 S 6/2017 Hale et al.
D789,486 S 6/2017 Gerhards et al.
D789,487 S 6/2017 Gerhards et al.
D790,034 S 6/2017 Gerhards et al.
D790,035 S 6/2017 Gerhards et al.
D790,036 S 6/2017 Gerhards et al.
D790,037 S 6/2017 Gerhards et al.
D790,038 S 6/2017 Gerhards et al.
D790,658 S 6/2017 Gerhards et al.
D791,273 S 7/2017 Gerhards et al.
D791,274 S 7/2017 Gerhards et al.
D791,910 S 7/2017 Gerhards et al.
D795,386 S 8/2017 Warden et al.
D795,387 S 8/2017 Gerhards et al.
D795,388 S 8/2017 Gerhards et al.
D795,389 S 8/2017 Gerhards et al.
9,725,686 B2 8/2017 Hochkugler et al.
D806,208 S 12/2017 Gerhards et al.
D809,710 S * 2/2018 Reda D28/8.1
D811,654 S * 2/2018 Nicoline D28/7
D814,117 S * 3/2018 Groning D28/78
9,926,695 B2 3/2018 Lehmann et al.
D841,120 S * 2/2019 Schepp D23/208
D850,578 S * 6/2019 Schepp D23/208
D851,744 S * 6/2019 Huang D24/101
D857,156 S * 8/2019 Hani D23/208
D886,227 S * 6/2020 Rofkahr, Jr. D22/108
- 2001/0004775 A1 6/2001 Falchieri
2002/0083514 A1 7/2002 Lhoste
2002/0178493 A1 12/2002 Varanasi et al.
2003/0088908 A1 5/2003 Falchieri
2003/0207964 A1 11/2003 Gazzaniga et al.
2004/0068782 A1 4/2004 Butter-Jentsch et al.
2004/0107484 A1 6/2004 Butter-Jentsch et al.
2004/0221378 A1 11/2004 Conway et al.
2005/0014668 A1 1/2005 Bariou et al.
2006/0137081 A1 6/2006 Ferrara et al.
2007/0204387 A1 9/2007 Cornelius et al.
2008/0313795 A1 12/2008 Lu
2010/0192291 A1 8/2010 Burt et al.
2010/0212074 A1 8/2010 Burt et al.
2010/0235976 A1 9/2010 Cooper et al.
2010/0299818 A1 12/2010 Lu
2011/0099698 A1 5/2011 Butter-Jentsch et al.
2011/0138526 A1 6/2011 Hsu
2012/0047640 A1 3/2012 Warkotsch et al.
2012/0266368 A1 10/2012 Butter-Jentsch et al.
2012/0266369 A1 10/2012 Butter-Jentsch et al.
2012/0266370 A1 10/2012 Butter-Jentsch et al.
2013/0104304 A1 5/2013 Wilson et al.
2013/0239313 A1 9/2013 Schiedel et al.
2015/0167282 A1 6/2015 Lehmann et al.
2016/0032576 A1 2/2016 Leffler et al.
2016/0251840 A1 9/2016 Zuechner et al.
2017/0181585 A1 6/2017 Khamis et al.

(56)

References Cited

U.S. PATENT DOCUMENTS

2017/0181934 A1 6/2017 Khamis et al.
 2017/0226723 A1 8/2017 Muehlhausen et al.
 2017/0247869 A1 8/2017 Soller et al.

FOREIGN PATENT DOCUMENTS

AT 3971/19980001 11/1998
 AT 328320001 11/1998
 AU 2014277247 B2 7/2017
 BR 3020140032620001 7/2016
 BR 3020140032630001 7/2016
 BX 20508029 2/1991
 BX 20508030 2/1991
 BX 20508031 2/1991
 CA 56946 A 8/1897
 CH 651611 A5 9/1985
 CN 1995216318 7/1995
 CN 00250078 9/2000
 CN 2006260877 6/2006
 CN 2006260878 6/2006
 CN 300980775 8/2009
 CN 201598700 U 10/2010
 CN 102421885 A 4/2012
 CN 302425484 5/2013
 CN 302425485 5/2013
 CN 302619999 * 5/2013
 CN 303641321 * 10/2015
 CN 303566156 1/2016
 CN 303961998 12/2016
 CN 106957745 A 7/2017
 CN 104583500 B 8/2017
 CN 304416566 12/2017
 CZ 328320001 11/1998
 DE 40105069-0001 11/2001
 DE 102009003088 A1 11/2010
 DE 102011001049 A1 9/2012
 DE 202013102261 U1 8/2014
 EM 0000499030005 10/2003
 EM 001226989-0003 11/2010
 EM 0018219190001 2/2011
 EM 0019735790001 1/2012
 EM 0019735790002 1/2012
 EM 0019735790003 1/2012
 EM 002133314-0001 A1 11/2012
 EM 002251405-0001 6/2013
 EM 001941667-0002 1/2014
 EM 001941667-0001 2/2014
 EM 0013988380001 11/2014
 EM 0013988380002 11/2014
 EM 002597542-0004 2/2015
 EM 002597542-0008 2/2015
 EM 002619361-0006 2/2015
 EM 002619361-0008 2/2015
 EM 0025975420002 2/2015
 EM 0025975420004 2/2015
 EM 0025975420008 2/2015
 EM 0014066720001 10/2015
 EM 0014066720002 10/2015
 EM 0014066720003 10/2015
 EM 0014544900001 2/2017
 EM 0014544900002 2/2017
 EM 0041203840001 8/2017
 EM 0041203840002 8/2017
 EP 0349409 A1 1/1990
 EP 0626026 A1 11/1994
 EP 0878586 A2 11/1998
 EP 0940509 9/1999
 EP 0943038 A1 9/1999
 EP 960984 A2 12/1999
 EP 0890003 B1 12/2001
 EP 1334239 8/2003
 EP 2132383 12/2009
 EP 1789099 2/2010
 EP 2183439 5/2010
 EP 2227604 9/2010

EP 2305901 6/2011
 EP 2305900 8/2013
 EP 2806074 A2 11/2014
 EP 2986786 A1 2/2016
 EP 3004474 A1 4/2016
 EP 3190238 A2 7/2017
 EP 2638137 B1 8/2017
 EP 3214232 A1 9/2017
 EP 2334878 B1 10/2017
 EP 3290602 A1 3/2018
 ES 10151495 5/2002
 ES D0500876-01 5/2005
 ES 2368850 T3 11/2011
 FR 013262-001 8/2001
 FR 013262-002 8/2001
 GB 2074008 A 10/1981
 GB 2097887 A 11/1982
 GB 2100165 A 12/1982
 GB 2356407 A 5/2001
 GB 3018324 7/2005
 GB 3018327 7/2005
 IL 56946 A 12/1981
 IN 2639790001 7/2015
 JP 112323 1/1955
 JP S54-7749 A 1/1979
 JP H7-37988 U 7/1995
 JP 2004132109 A 4/2004
 JP 2008030846 A 2/2008
 JP 2012-526876 A 11/2012
 JP 1499851 6/2014
 JP 1507648 S 8/2014
 JP 1507648 9/2014
 JP 1579221 S 5/2017
 JP 1579221 6/2017
 JP 1589992 11/2017
 JP 1589992 S 11/2017
 JP 1592362 S 12/2017
 KR 300714885.0000 11/2013
 KR 300761036.0000 9/2014
 KR 300767264.0000 10/2014
 KR 101736512 B1 5/2017
 MX 328320001 11/1998
 RU 00084731 U1 3/2013
 RU 2494197 C2 9/2013
 RU 00099576 8/2016
 TR 56210002 1/1999
 TR 0873410002 11/2015
 TR 0873410006 11/2015
 TR 0873410008 11/2015
 WO 9824988 A1 6/1998
 WO 9840465 A1 9/1998
 WO 200050699 8/2000
 WO 0077310 A2 12/2000
 WO 2004010833 A2 2/2004
 WO 2004013419 A1 2/2004
 WO 2006013322 A1 2/2006
 WO 2006107053 A1 10/2006
 WO 08110221 A1 9/2008
 WO 2008120543 A1 10/2008
 WO 09086947 A1 7/2009
 WO 2010018006 2/2010
 WO D073018-001 7/2010
 WO 2010130645 A1 11/2010
 WO D078587-001 1/2012
 WO D078587-002 1/2012
 WO D078587-003 1/2012
 WO D078588-001 1/2012
 WO D078588-002 1/2012
 WO D078588-003 1/2012
 WO D079761-001 1/2012
 WO D077855-001 3/2012
 WO D077855-002 3/2012
 WO 2012062914 5/2012
 WO 2013054124 A1 4/2013
 WO D079650-001 6/2013
 WO D079650-002 6/2013
 WO D079650-003 6/2013
 WO D079650-004 6/2013
 WO D079650-005 6/2013

(56)

References Cited

FOREIGN PATENT DOCUMENTS

WO	D079650-006	6/2013
WO	D079650-007	6/2013
WO	D079650-008	6/2013
WO	2014029510 A1	2/2014
WO	D082756-001	2/2014
WO	2014195045 A1	12/2014
WO	2015048657 A1	4/2015
WO	D086545-001	6/2015
WO	D087100-001	8/2015
WO	D087100-002	8/2015
WO	D087100-003	8/2015
WO	D087100-004	8/2015
WO	D087100-005	8/2015
WO	D087100-006	8/2015
WO	D087100-007	8/2015
WO	D087100-008	8/2015
WO	D087341-002	9/2015
WO	D087341-003	9/2015
WO	D087341-004	9/2015
WO	D087341-005	9/2015
WO	D087341-006	9/2015
WO	D087341-007	9/2015
WO	D087341-008	9/2015
WO	D087533-001	10/2015
WO	D087533-002	10/2015
WO	D087533-004	10/2015
WO	D087533-005	10/2015
WO	D087533-006	10/2015
WO	D087533-007	10/2015
WO	D087533-008	10/2015
WO	2016040341 A1	3/2016
WO	D088274-001	5/2016
WO	17137922 A1	8/2017

OTHER PUBLICATIONS

Duck Toilet Rim Block, announced Sep. 19, 2018[online], [site visited Oct. 28, 2020], Available from internet, URL:<<https://www.amazon.co.uk/Duck-Active-;Clean-Marine-Units/dp/B07L3FHFP7>> (Year: 2018).*

Duck Toilet, announced Dote unavailable[online], [site visited Oct. 28, 2020], Available from internet, URL:<<https://www.duck.co.uk/en-gb/products/active-clean>> (Year: 2020).*

Dec. 7, 2015—(WO) International Search Report PCT/US2015/048976.

Mar. 15, 2017—(AU) Examination Report—App 2015315352.

May 23, 2017—(RU) Office Action—App 2017111624.

Pictures of S.C. Johnson & Son, Inc. Toilet Rim Block Holder, published date unknown, but prior to the filing date of the present application.

Tesco, “Duck 5In1 Rimblock”, <http://www.tesco.com/groceries/Product/Details/?id=278608564>, Oct. 8, 2013, p. 1, published 2013. myshopping.com.au, “2x Glade Perfume Toilet Block Lavender” http://www.myshopping.com.au/ZM-1234107356_2x_glade_perfume_toilet_block_lavender, Oct. 8, 2013, p. 1, published 2013.

FacePaintsDirect.co.uk, Jet Paint Splash Sponge Tear Drop, undated online product page, retrieved Mar. 11, 2018 from <URL:[http:1/www.facepaintsdirect.co.uk/jestpaintsplashespongeteardrop2pack.html](http://www.facepaintsdirect.co.uk/jestpaintsplashespongeteardrop2pack.html)> (Year: 2017).

Feb. 22, 2018—(JP) Office Action—App No. 2017-513142.

Apr. 25, 2018—(RU) Office Action—App No. 2017111624.

Jun. 5, 2018—(AU) Examination Report—App. No. 2018201873.

Jul. 23, 2018—First Chinese Office Action—App 201580055427.4.

Mar. 20, 2019—(CN) Second Office Action—App 201580055427.4.

Jan. 16, 2020—(EP) Examination Report—App. No. 15763802A. Tomil S.R.O. et al: Dosing devices, Scent Diffusers:, EUIPO—eSearch, Jun. 20, 2012, XP055655462, retrieved from the internet: URL:<https://euipo.europa.eu/eSearch/#details/designs/002054668-0002>[retrieved on Jan. 8, 2020].

Sep. 11, 2013—Mintel; Polar Aqua Toilet Cleaner & Freshner XP055655481 retrieved from www.gnpd.com.

Rossmann: “Rossmann leták—strana 15/16”, Aug. 16, 2014, XP055655487, retrieved from the internet: URL:<http://web.archive.org/web/20140816070430/http://www.aktualniletaky.cz/al/5574-rossmann-drogerie-akcni-letak/rossmann-letak-5574-strana-15.html>.

Tomil S.R.O.: “ZahÁjen Prodej Dr. Devil WC Crystal”, Nov. 1, 2012, XP055655496, retrieved from the internet: URL:<https://www.facebook.com/tomil.cz/posts/737941926296381>.

PLMA’S World of Private Label “Everyone comes to PLMA”, Jan. 28, 2014; pp. 1-4—XP055655502.

Sep. 11, 2019—(CN) Third Office Action—App 201580055427.4.

* cited by examiner

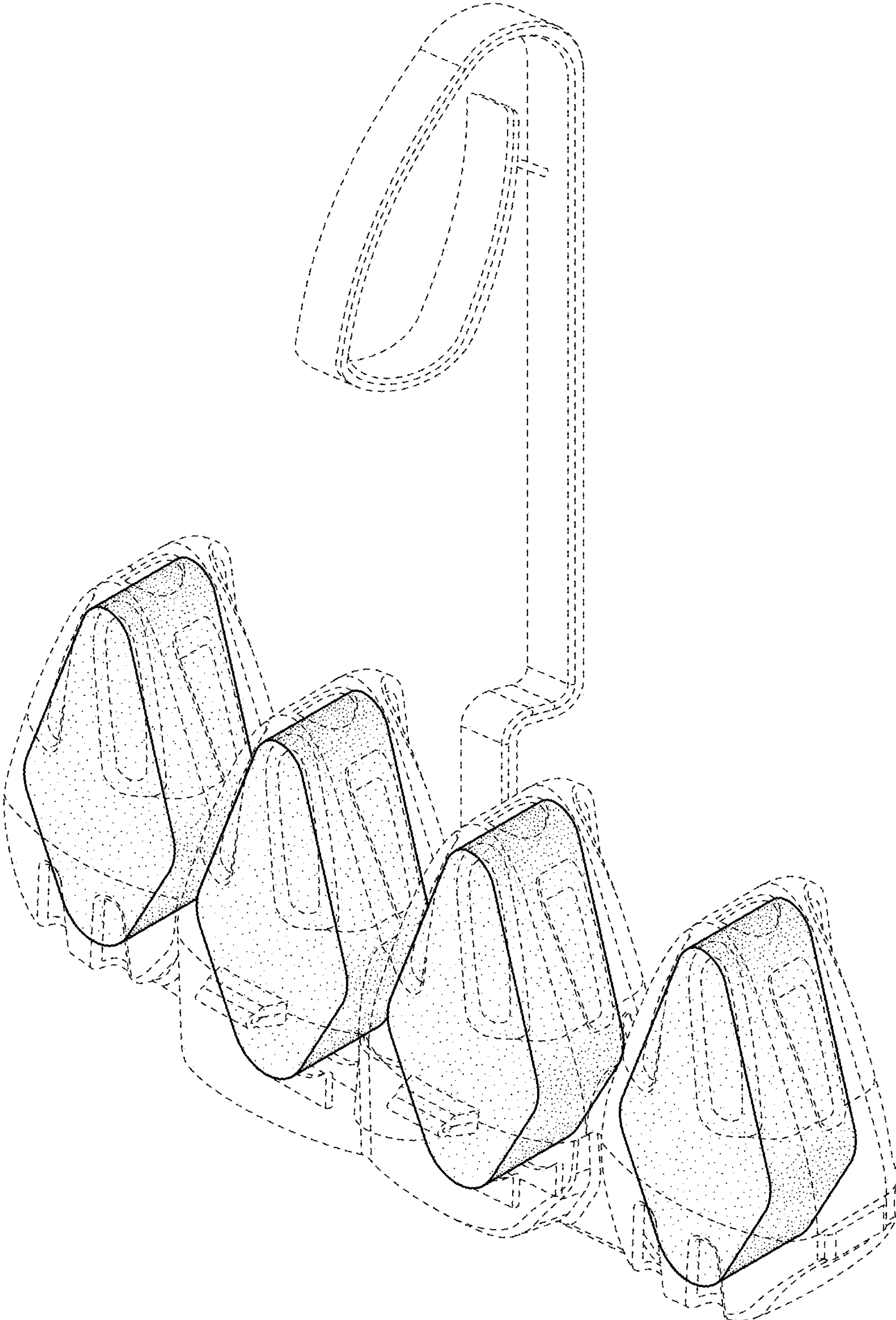


FIG. 1

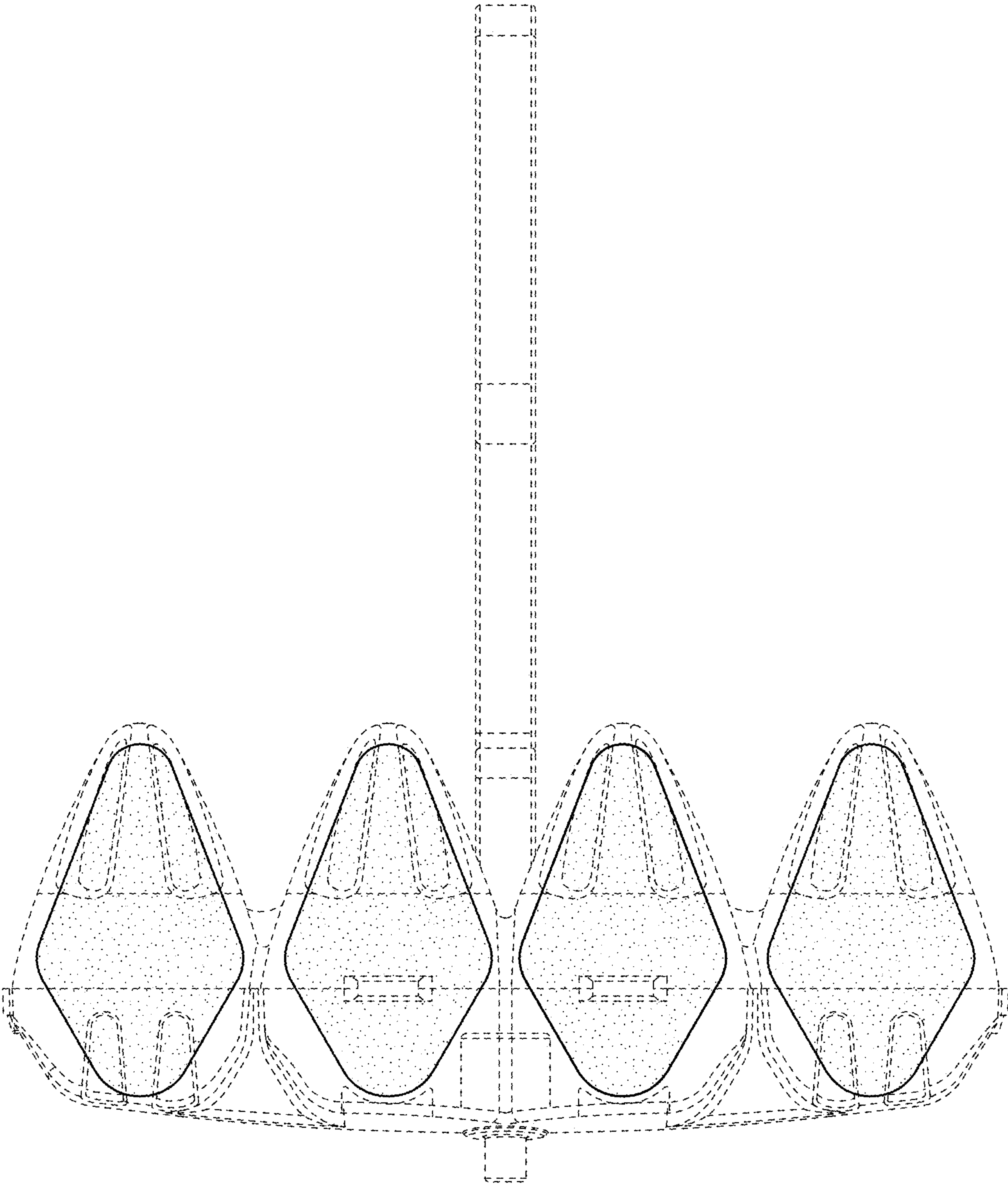


FIG. 2

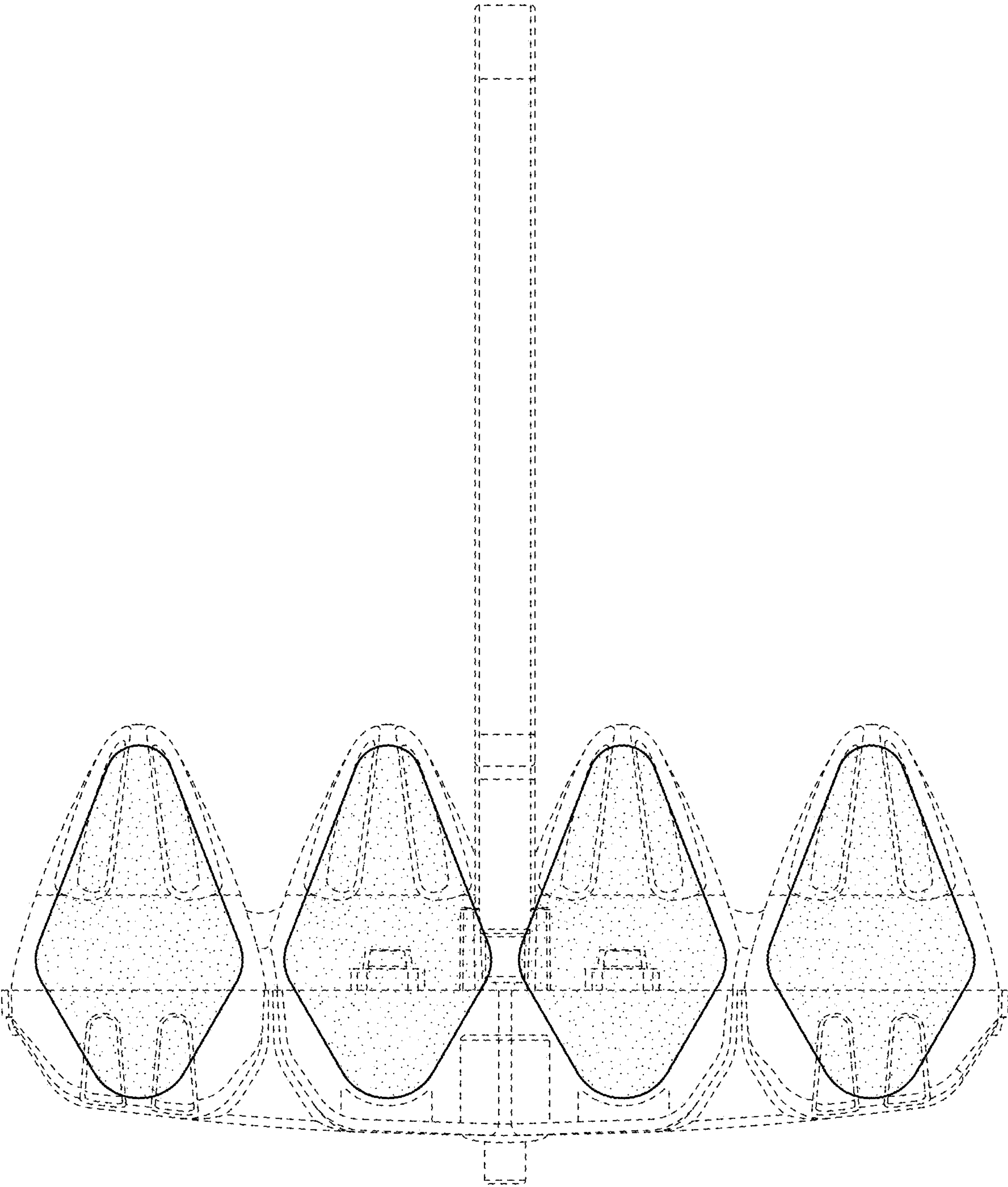


FIG. 3

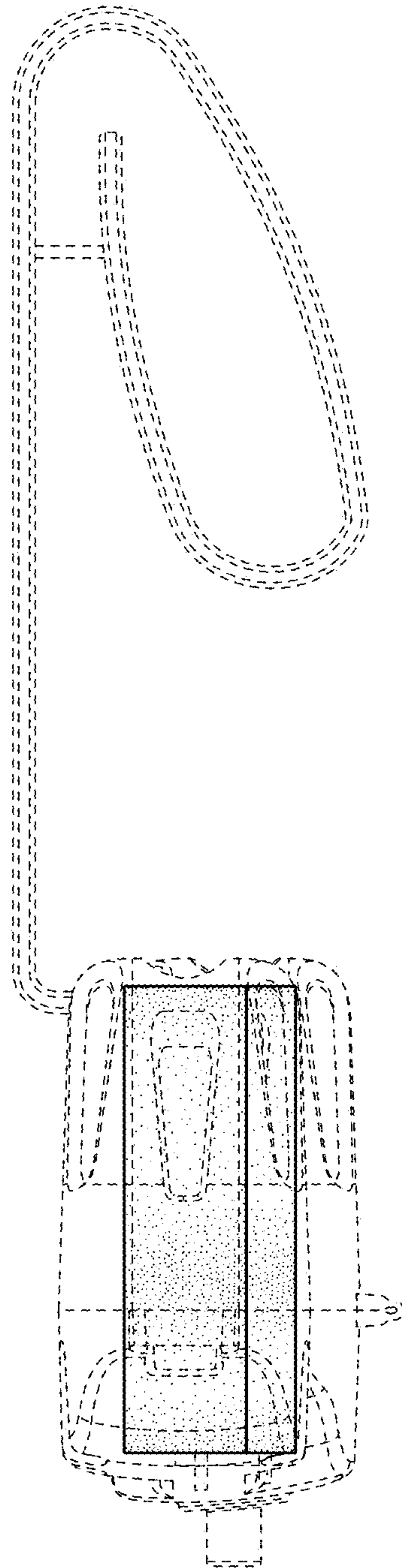


FIG. 4

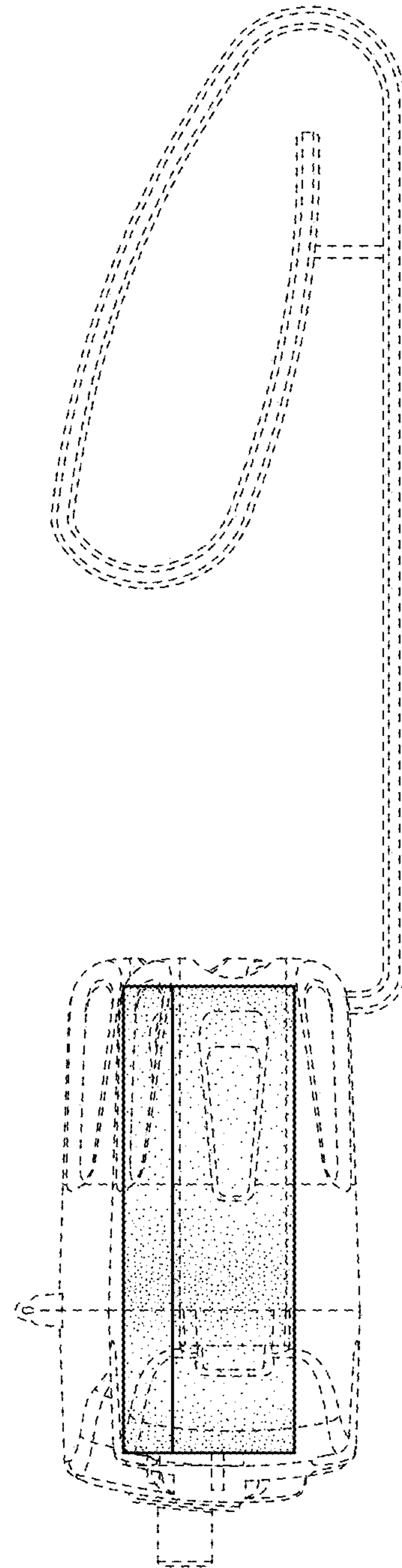


FIG. 5

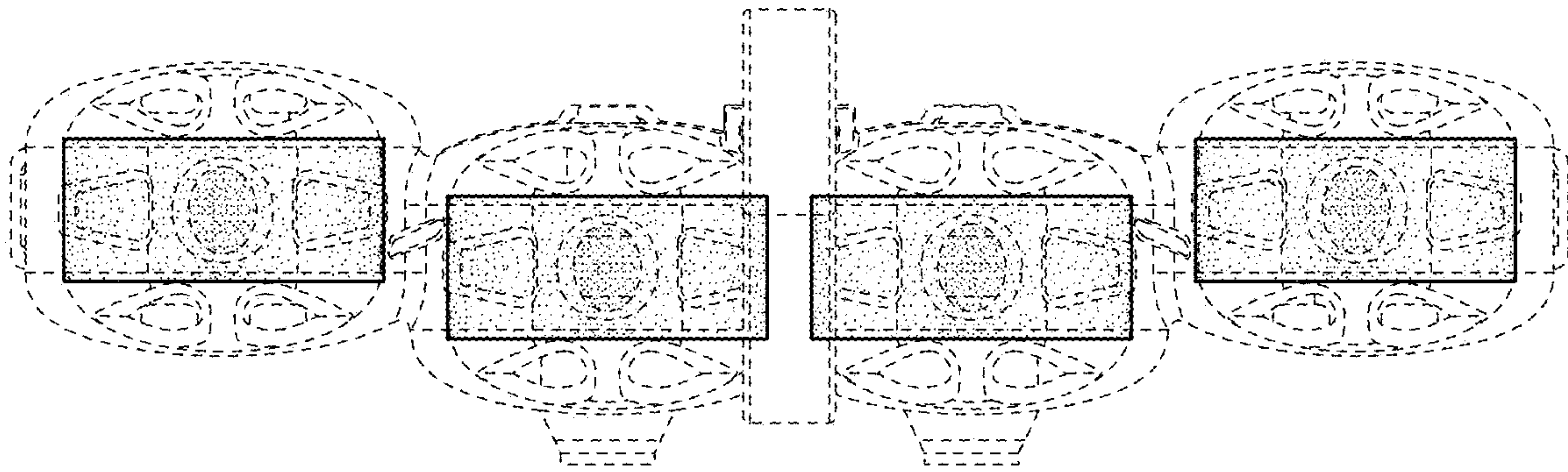


FIG. 6

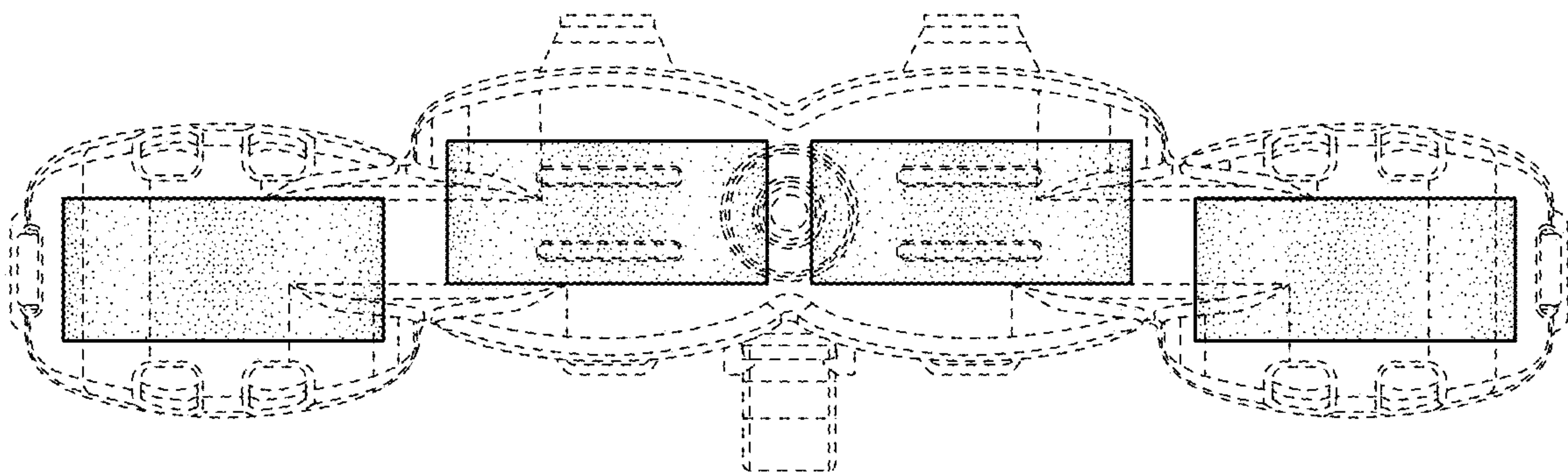


FIG. 7