



US00D923138S

(12) **United States Design Patent** (10) **Patent No.:** **US D923,138 S**  
**Ligonesche et al.** (45) **Date of Patent:** **\*\* Jun. 22, 2021**

(54) **GAS BOTTLE CAP**  
(71) Applicant: **L’Air Liquide, Societe Anonyme pour l’Etude et l’Exploitation des Procèdes Georges Claude**, Paris (FR)  
(72) Inventors: **Renaud Ligonesche**, Herblay (FR); **Patrick Sébastien Bouvier**, Eydoche (FR); **Tanguy Morgan**, Pantin (FR); **Olivier Ondo Ndong**, Palaisea (FR); **Antoine Frenal**, Ezanville (FR)

D334,967 S \* 4/1993 Kitsuda ..... D23/206  
D439,956 S \* 4/2001 Nilsson ..... D23/206  
6,311,722 B1 \* 11/2001 Gounot ..... F17C 13/06  
137/377  
D576,702 S \* 9/2008 Aguiar ..... D23/206  
D645,537 S \* 9/2011 Squires ..... D23/206  
8,528,586 B2 \* 9/2013 Gannet ..... F17C 13/04  
137/382  
D692,979 S \* 11/2013 Quick ..... D23/206  
(Continued)

(73) Assignee: **L’Air Liquide, Société Anonyme pour l’Etude et l’Exploitation des Procédés Georges Claude**, Paris (FR)

EP 3531006 B1 \* 11/2020 ..... F17C 13/06  
FR 003077616 A1 \* 2/2018 ..... F17C 13/06

(\*\*) Term: **15 Years**

**OTHER PUBLICATIONS**

(21) Appl. No.: **29/768,960**

“[Luxfer Collar]” [Jan. 20, 2020], [Amazon.com], site visited Feb. 24, 2021]: [URL] [https://www.amazon.com/Cylinder-Luxfer-Style-Carry-Handle/dp/B0842J9PV9/ref=sr\\_1\\_22?dchild=1&keywords=Cylinder+Valve+Guard&qid=1614207949&sr=8-22](https://www.amazon.com/Cylinder-Luxfer-Style-Carry-Handle/dp/B0842J9PV9/ref=sr_1_22?dchild=1&keywords=Cylinder+Valve+Guard&qid=1614207949&sr=8-22) (Year: 2020).\*

(22) Filed: **Feb. 2, 2021**

**Related U.S. Application Data**

(62) Division of application No. 29/630,745, filed on Dec. 22, 2017.

*Primary Examiner* — Jack Reickel

*Assistant Examiner* — Keith J Wilson

(74) *Attorney, Agent, or Firm* — Allen E. White

(30) **Foreign Application Priority Data**

Jun. 22, 2017 (EM) ..... 004061463

(57) **CLAIM**

(51) **LOC (13) Cl.** ..... **23-01**

The ornamental design for a gas bottle cap, as shown and described.

(52) **U.S. Cl.**  
USPC ..... **D23/206**

(58) **Field of Classification Search**  
USPC ..... D23/202–206, 207, 233  
CPC ..... F16K 35/10; F17C 13/06  
See application file for complete search history.

**DESCRIPTION**

FIG. 1 is a first side view of a first gas bottle cap.  
FIG. 2 is a second side view of a first gas bottle cap.  
FIG. 3 is a third side view of a first gas bottle cap.  
FIG. 4 is a top isometric view of a first gas bottle cap.  
FIG. 5 is a top view of a first gas bottle cap.  
FIG. 6 is a bottom isometric view of a first gas bottle cap;  
and,  
FIG. 7 is a bottom view of a gas bottle cap.

(56) **References Cited**

**U.S. PATENT DOCUMENTS**

4,332,331 A \* 6/1982 Fawley ..... F17C 13/002  
137/382  
5,004,117 A \* 4/1991 Kitsuda ..... F17C 13/002  
137/382

**1 Claim, 7 Drawing Sheets**

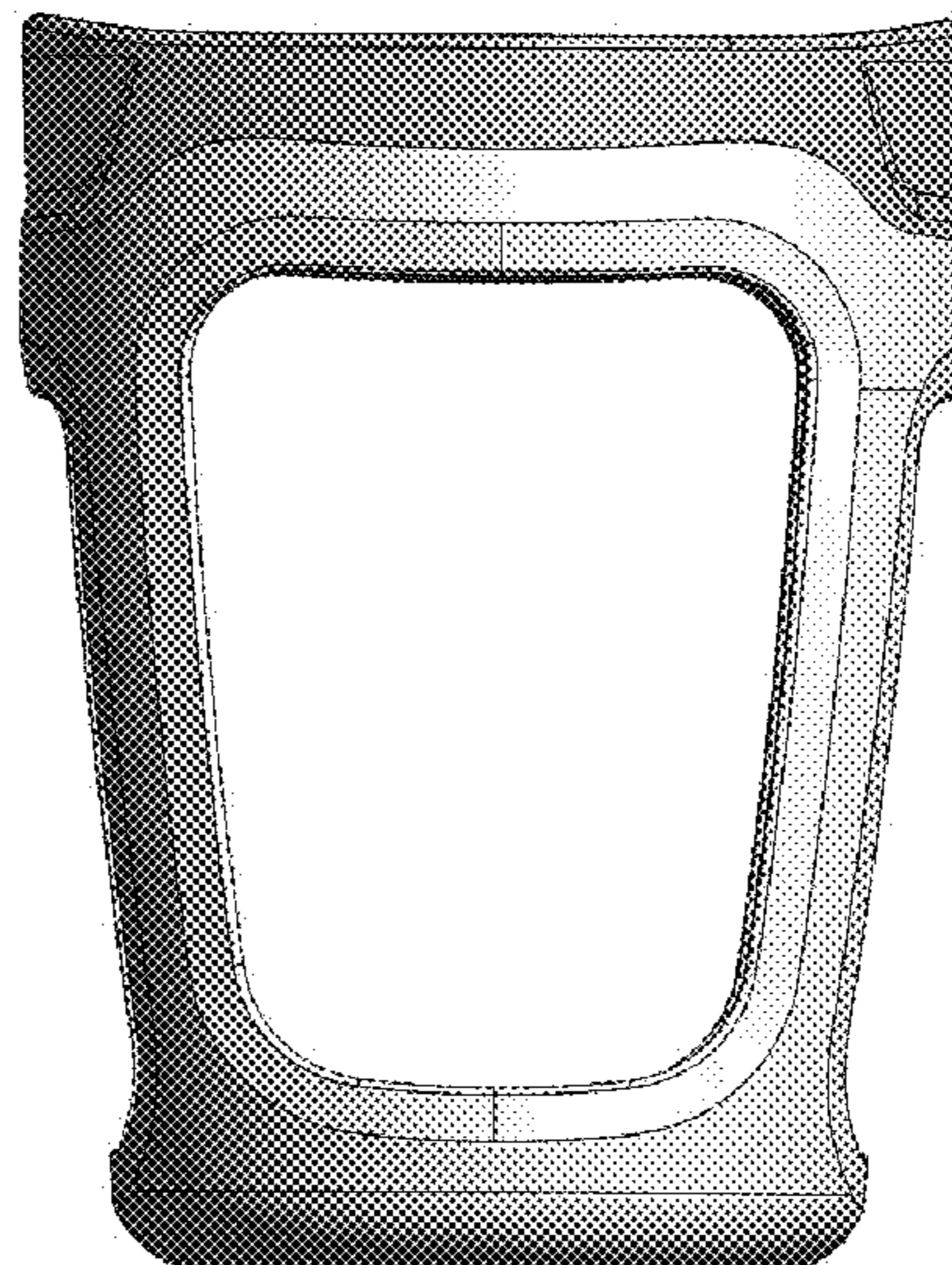






FIG. 1

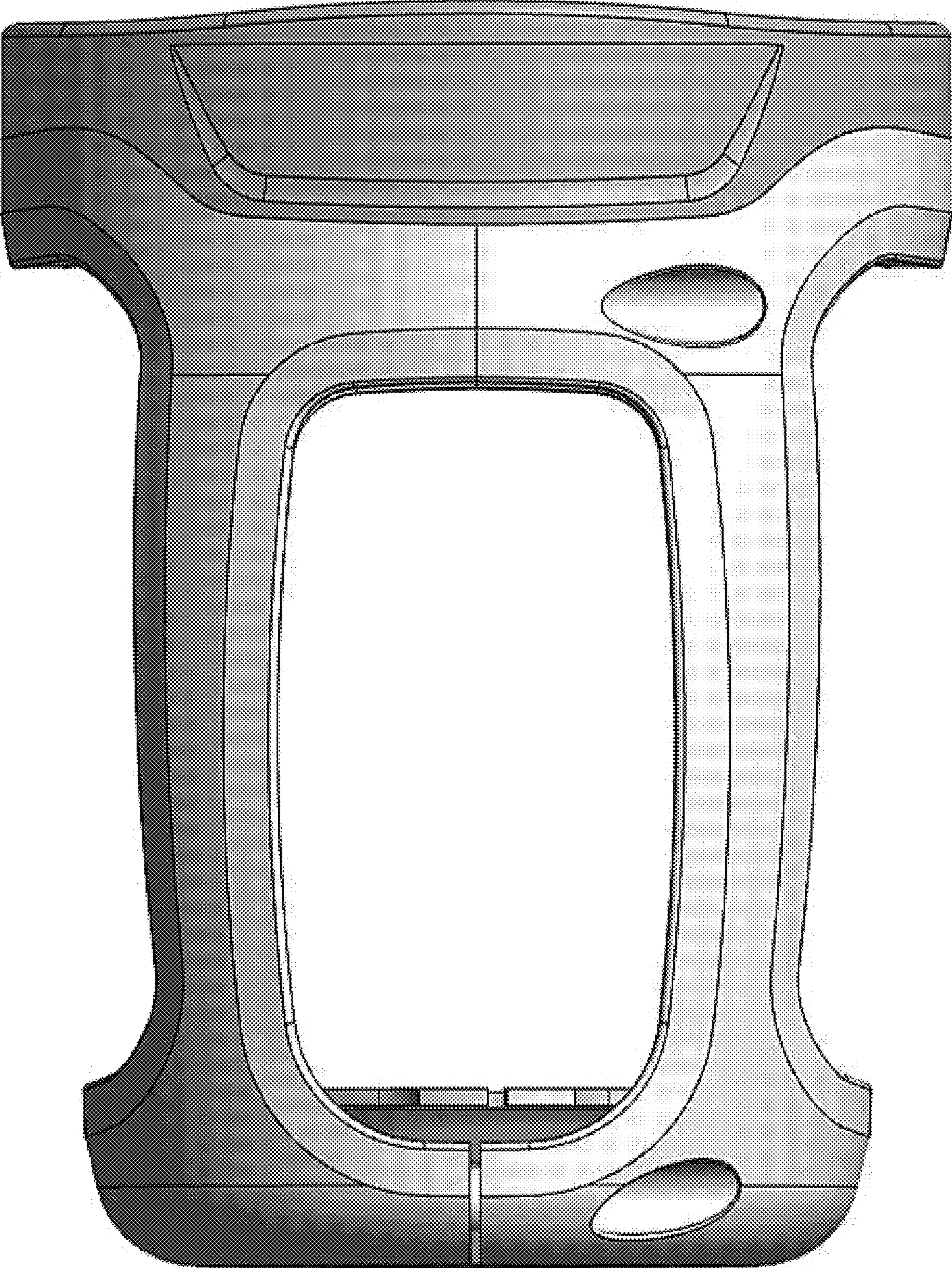


FIG. 2

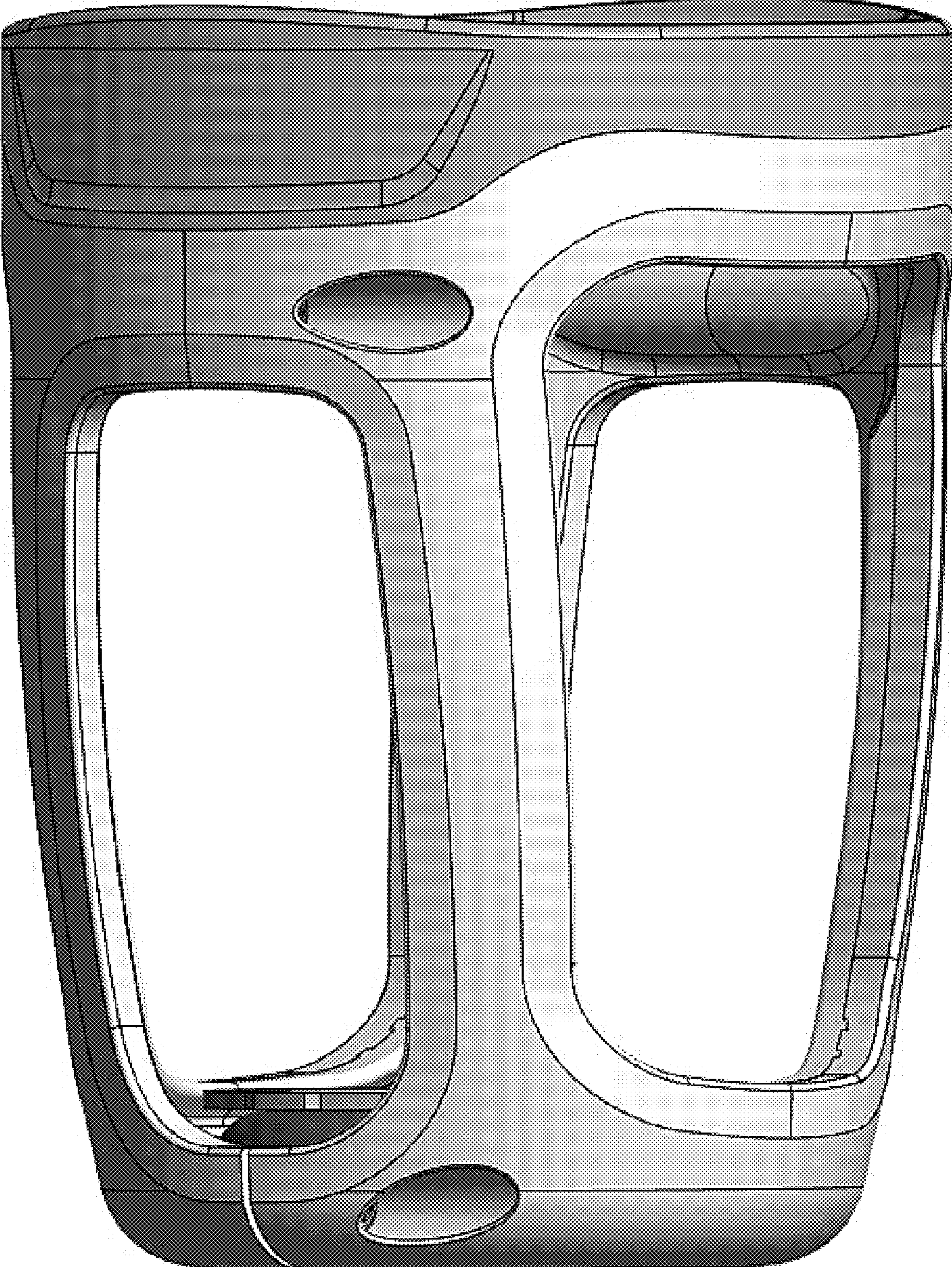


FIG. 3

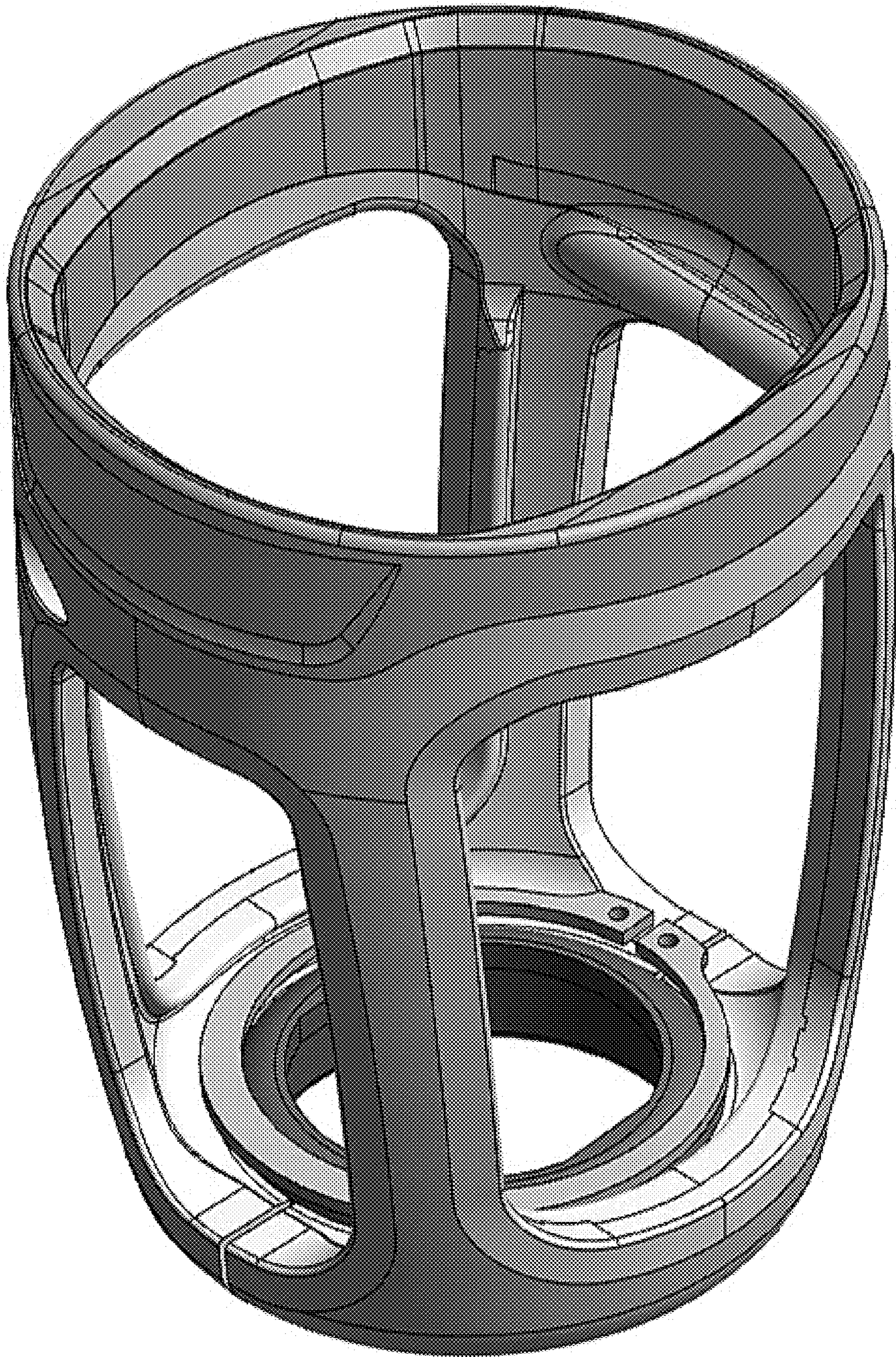


FIG. 4

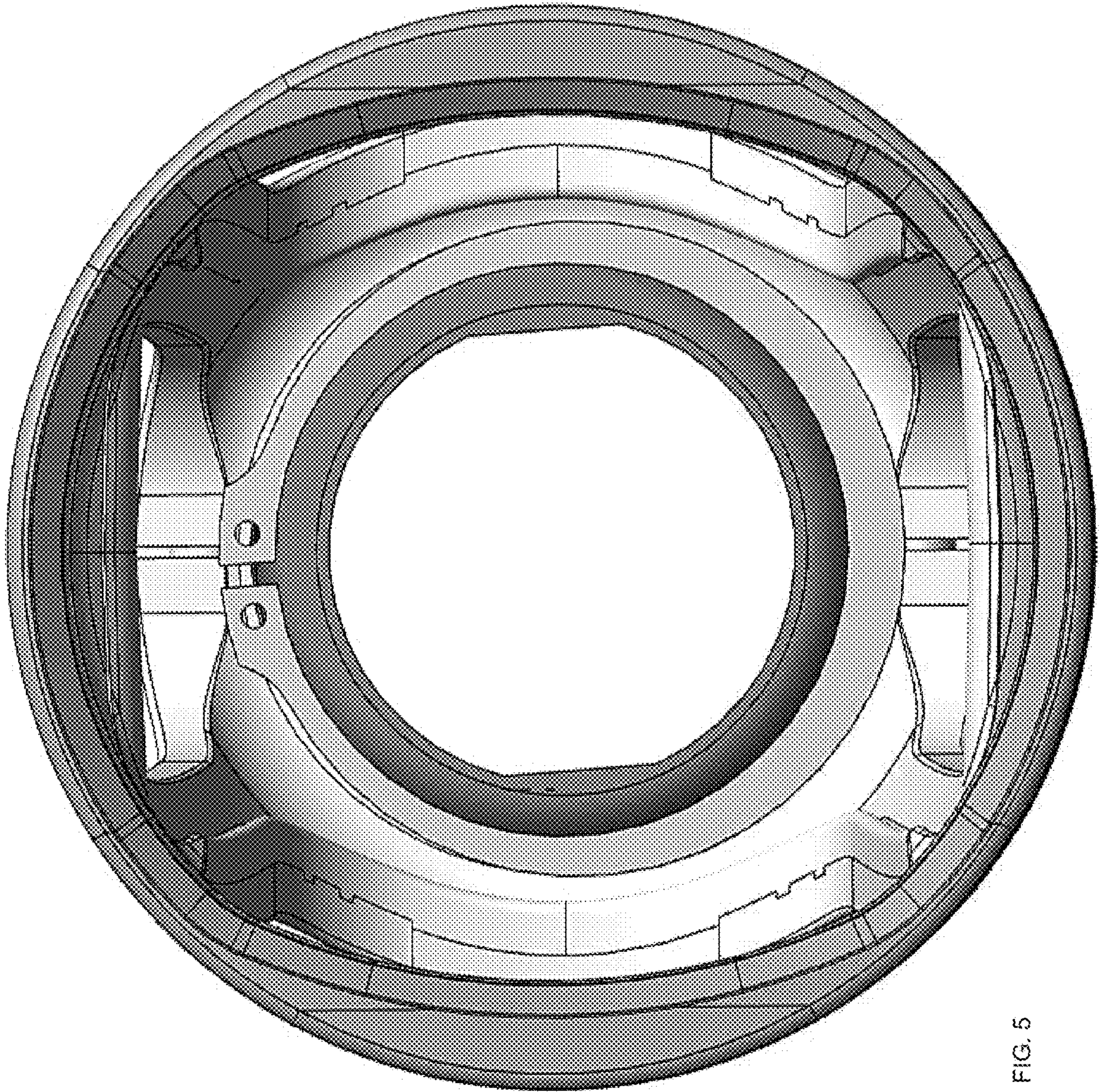


FIG. 5

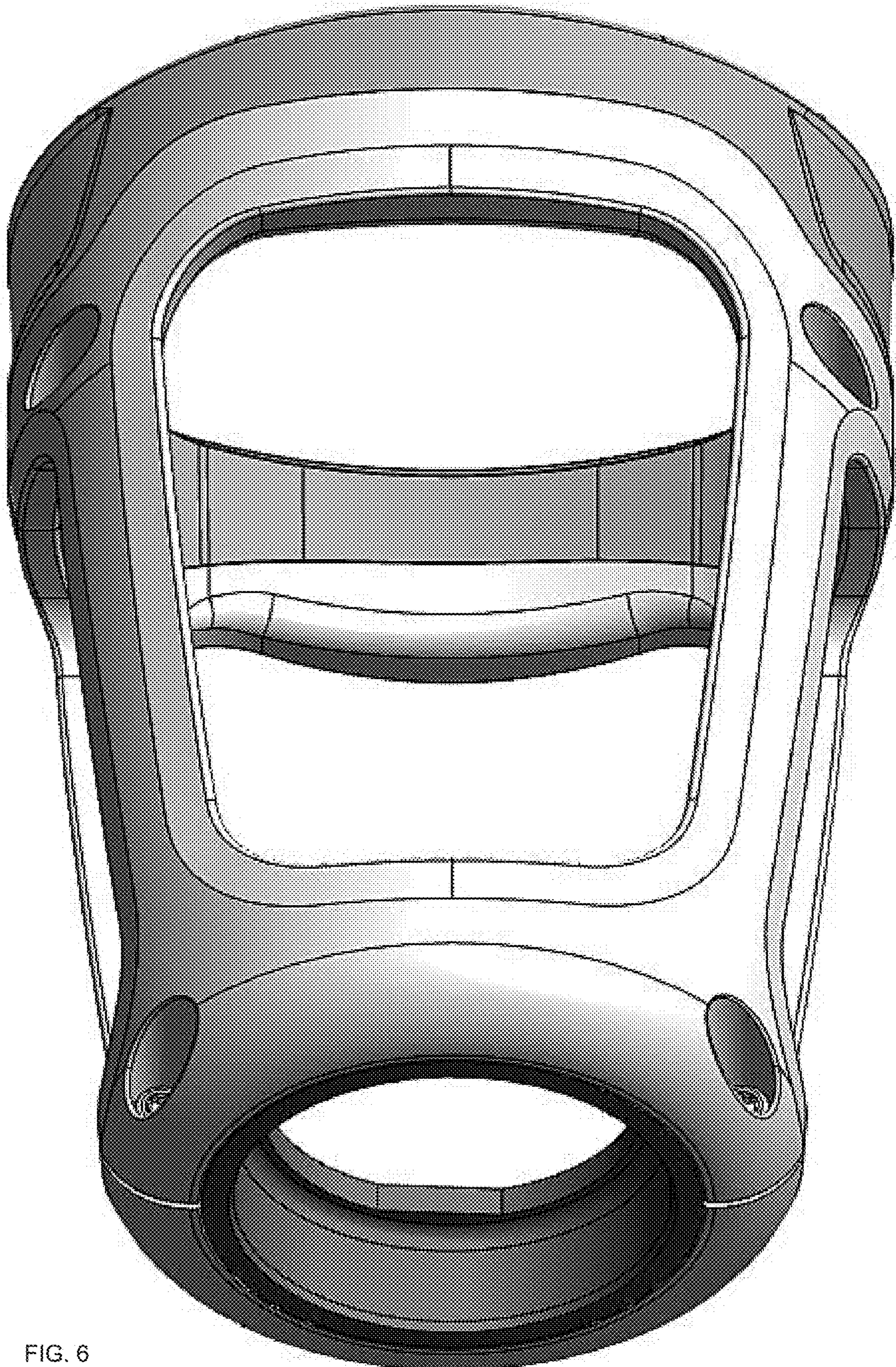


FIG. 6



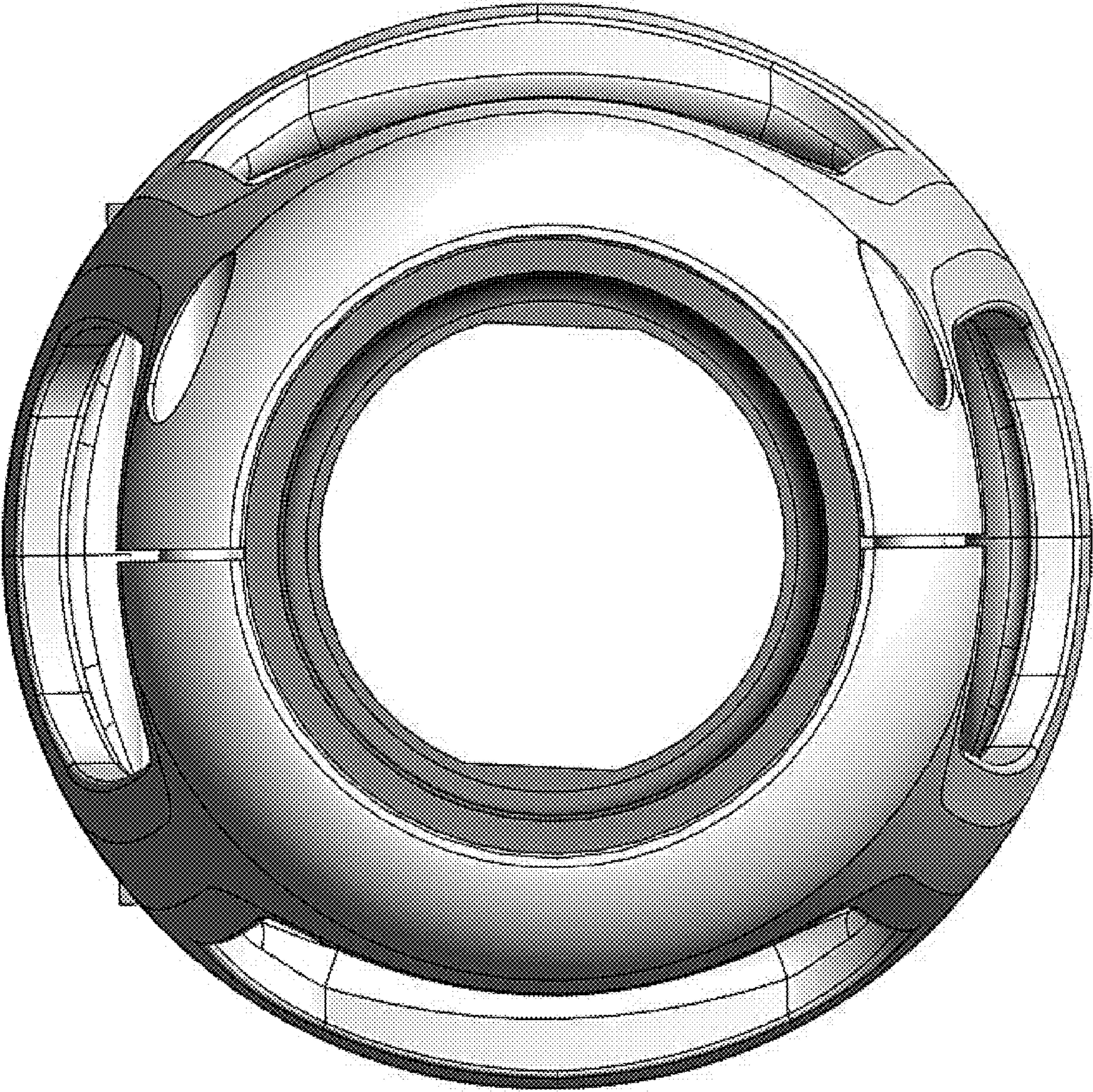


FIG. 7