



US00D923137S

(12) **United States Design Patent** (10) **Patent No.:** **US D923,137 S**
Ligonesche et al. (45) **Date of Patent:** **** Jun. 22, 2021**

(54) **GAS BOTTLE CAP**
(71) Applicant: **L’Air Liquide, Societe Anonyme pour l’Etude et l’Exploitation des Procèdes Georges Claude, Paris (FR)**
(72) Inventors: **Renaud Ligonesche, Herblay (FR); Patrick Sébastien Bouvier, Eydoche (FR); Tanguy Morgan, Pantin (FR); Olivier Ondo Ndong, Palaisea (FR); Antoine Frenal, Ezanville (FR)**
(73) Assignee: **L’Air Liquide, Société Anonyme pour l’Etude et l’Exploitation des Procèdes Georges Claude, Paris (FR)**

D786,398 S * 5/2017 Ligonesche D23/206
D829,859 S * 10/2018 Eroglu D23/206
D862,642 S * 10/2019 Frenal D23/233
D900,959 S * 11/2020 Graves C02F 3/288
D23/202
D904,568 S * 12/2020 Melcher D23/233
10,851,927 B2 * 12/2020 Stachowiak F16K 35/02
2015/0083237 A1 * 3/2015 Ligonesche F17C 13/002
137/382

(**) Term: **15 Years**

(21) Appl. No.: **29/630,745**

(22) Filed: **Dec. 22, 2017**

(51) **LOC (13) Cl.** **23-01**

(52) **U.S. Cl.**
USPC **D23/206**

(58) **Field of Classification Search**
USPC D23/206, 207, 233
CPC F16K 35/10; F17C 13/06
See application file for complete search history.

(56) **References Cited**

U.S. PATENT DOCUMENTS

D641,064 S * 7/2011 Cogswell, Jr. D23/206
D645,537 S * 9/2011 Squires D23/206
8,534,312 B2 * 9/2013 Burgess F17C 13/06
137/382
D692,979 S * 11/2013 Quick D23/206
D692,980 S * 11/2013 Quick D23/206
D709,163 S * 7/2014 Deruntz D23/206
D768,266 S * 10/2016 Pareek D23/233
D786,394 S * 5/2017 Frenal D23/206
D786,395 S * 5/2017 Frenal D23/206
D786,396 S * 5/2017 Frenal D23/206
D786,397 S * 5/2017 Frenal D23/206

FOREIGN PATENT DOCUMENTS

EP 3531006 B1 * 11/2020 F17C 13/06

OTHER PUBLICATIONS

<https://www.amazon.com/Acetylene-Cylinder-Regulator-Protector-Safety/dp/B00I4Z5HAQ> (Year: 2014).*
“[Cylinder Collar]” [Jan. 15, 2019], [Amazon.com], site visited Feb. 23, 2021]: [URL] https://www.amazon.com/Cylinder-Collar-6-22-Diameter-Steel/dp/B07CKSYBKF/ref=sr_1_168?dchild=1&keywords=gas+cylinder+collar&qid=1614110674&sr=8-168 (Year: 2019).*

* cited by examiner

Primary Examiner — Jack Reickel

Assistant Examiner — Keith J Wilson

(74) *Attorney, Agent, or Firm* — Allen E. White

(57) **CLAIM**

The ornamental design for a gas bottle cap, as shown and described.

DESCRIPTION

FIG. 1 is a first side view of a gas bottle cap;
FIG. 2 is a second side view of a gas bottle cap;
FIG. 3 is a third side view of a gas bottle cap;
FIG. 4 is a top isometric view of a gas bottle cap;
FIG. 5 is a top view of a gas bottle cap;
FIG. 6 is a bottom isometric view of a gas bottle cap; and,
FIG. 7 is a bottom view of a gas bottle cap.

1 Claim, 7 Drawing Sheets

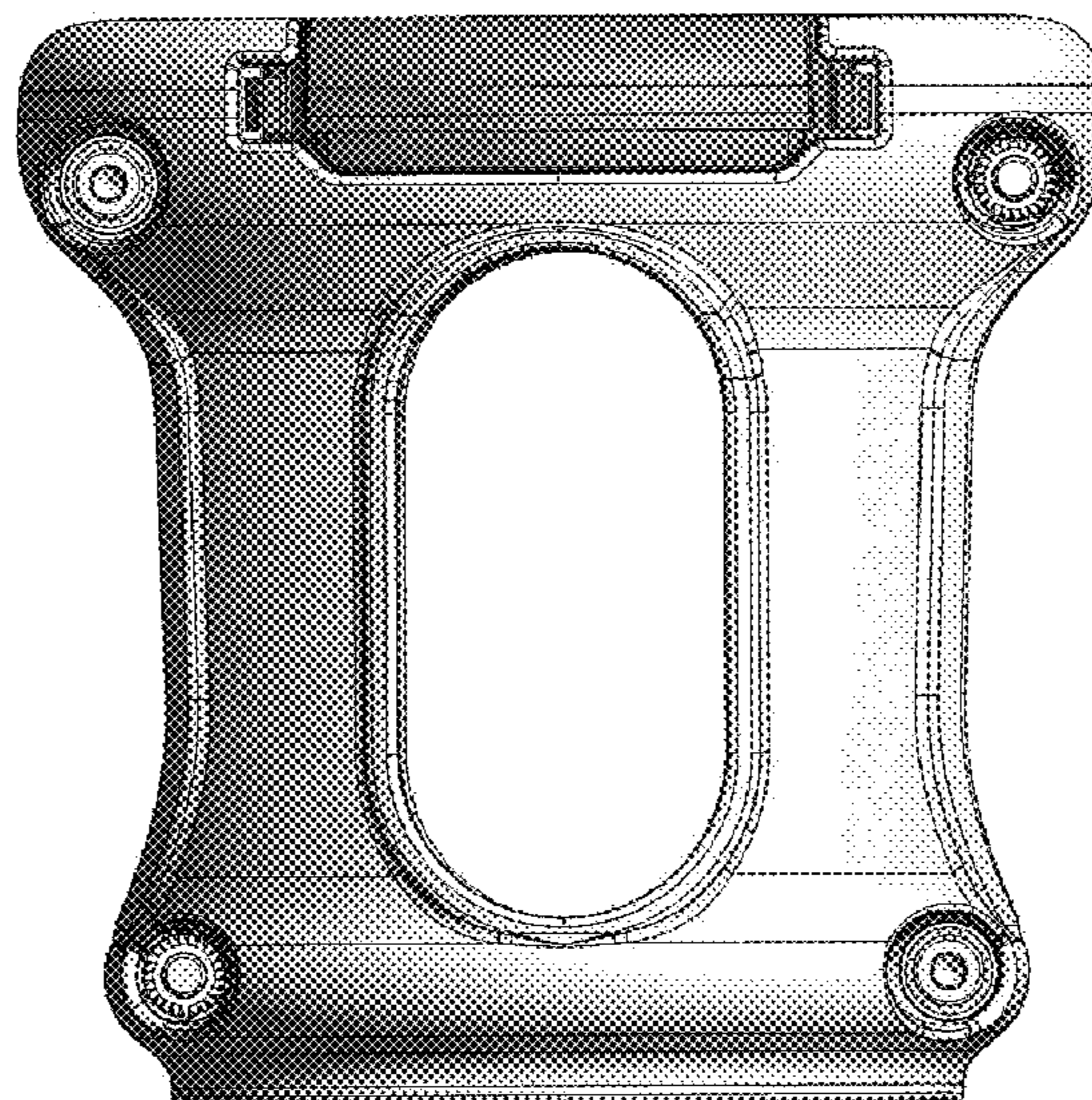




FIG. 1

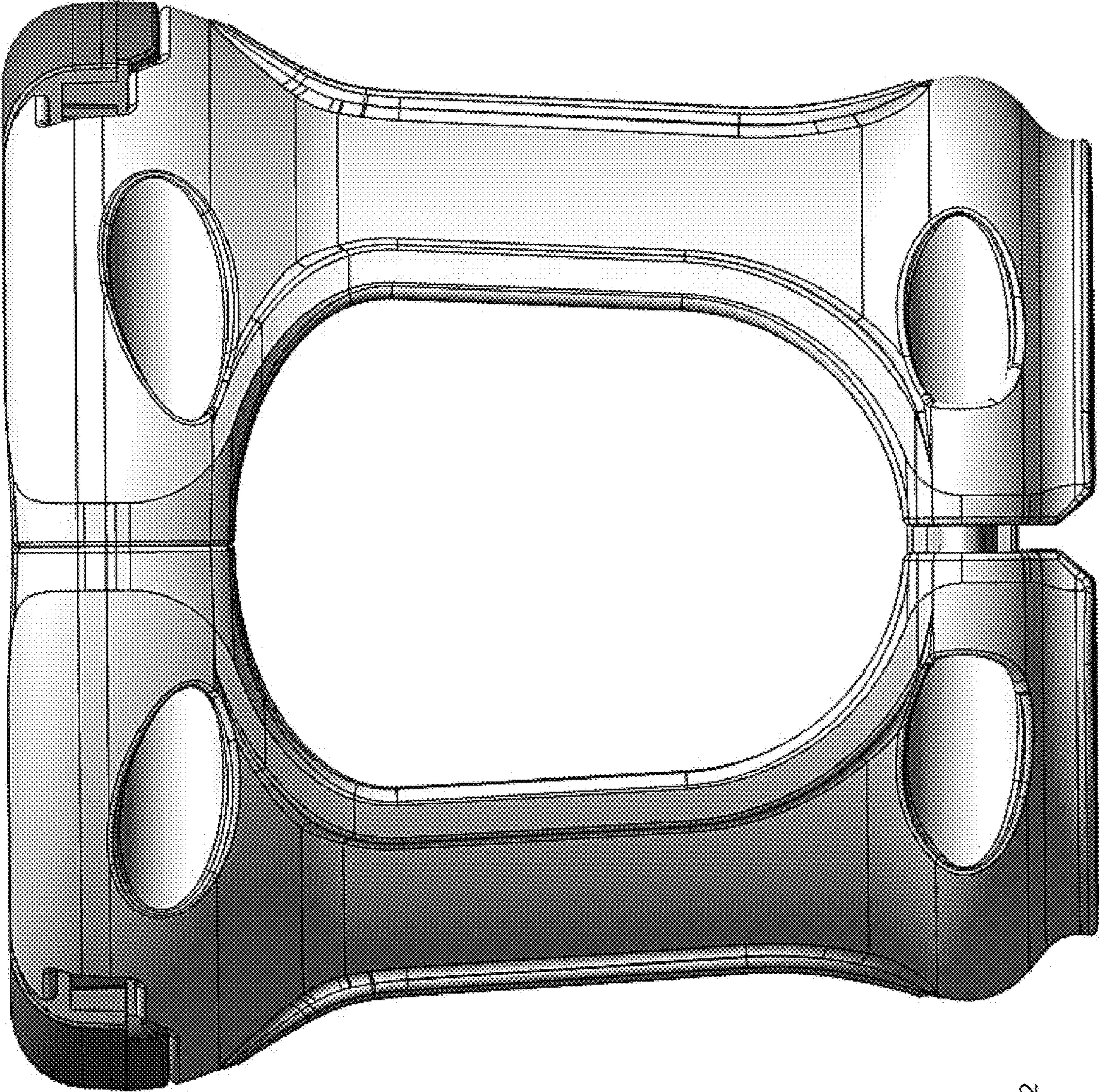


FIG. 2

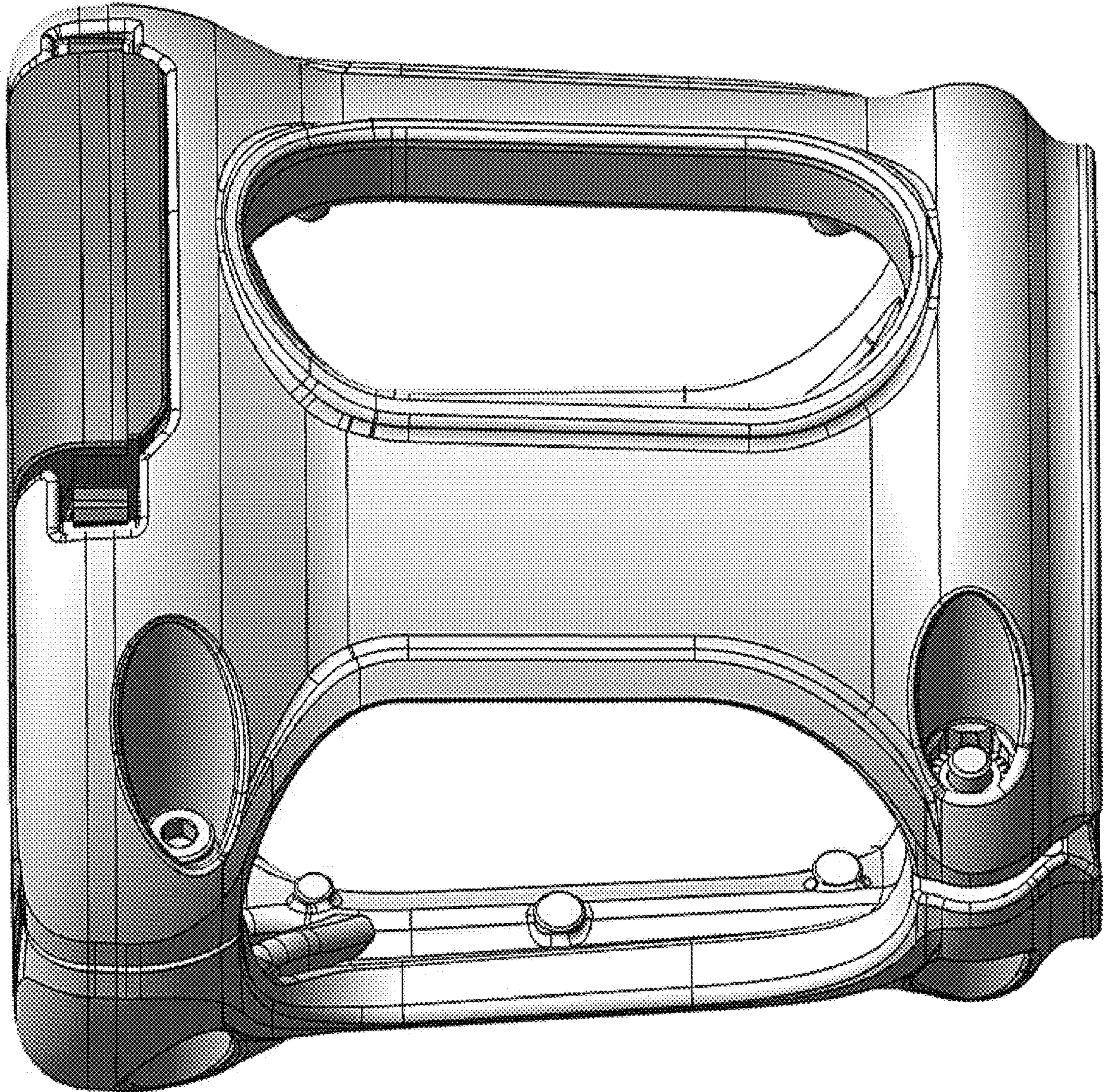


FIG. 3

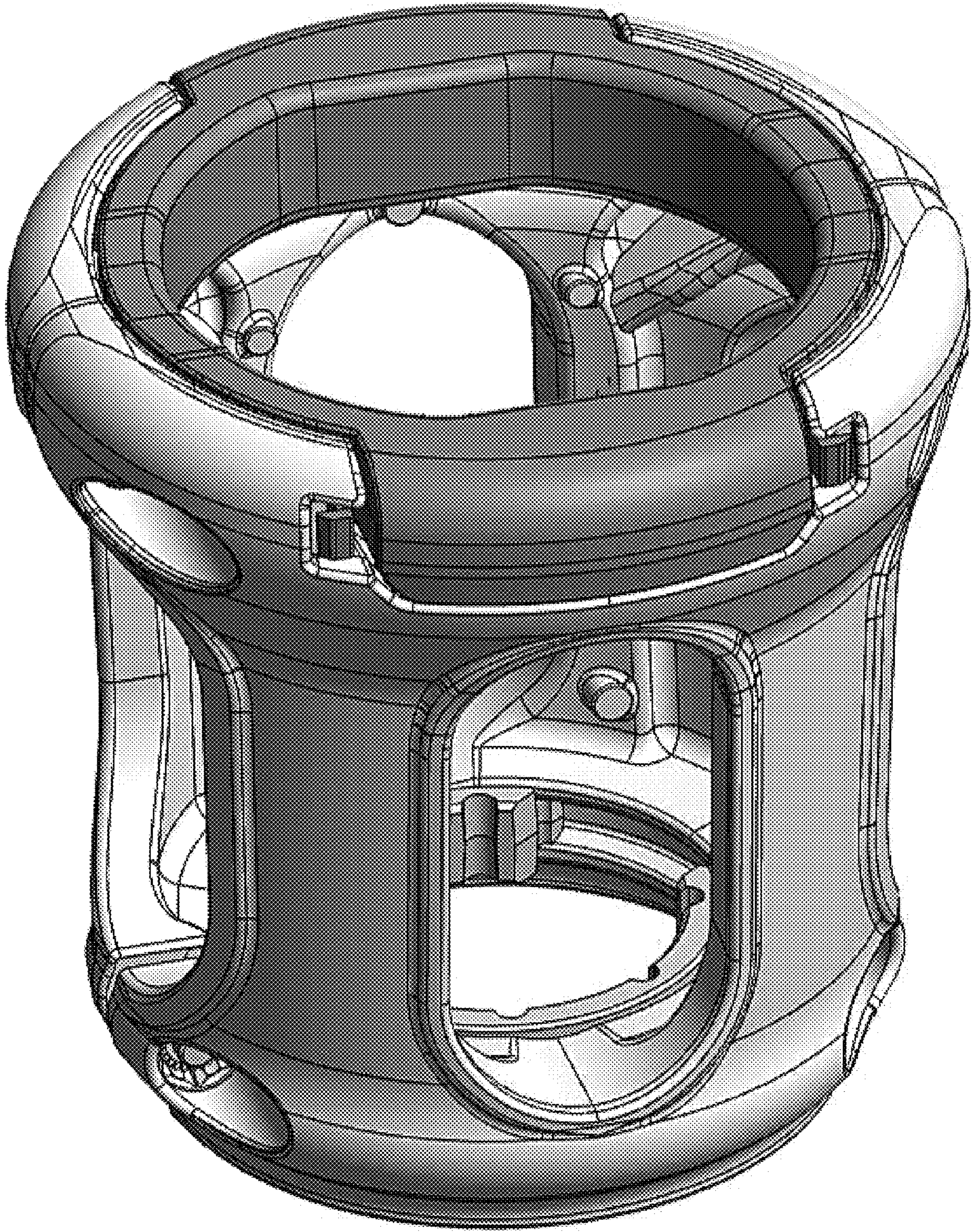


FIG. 4

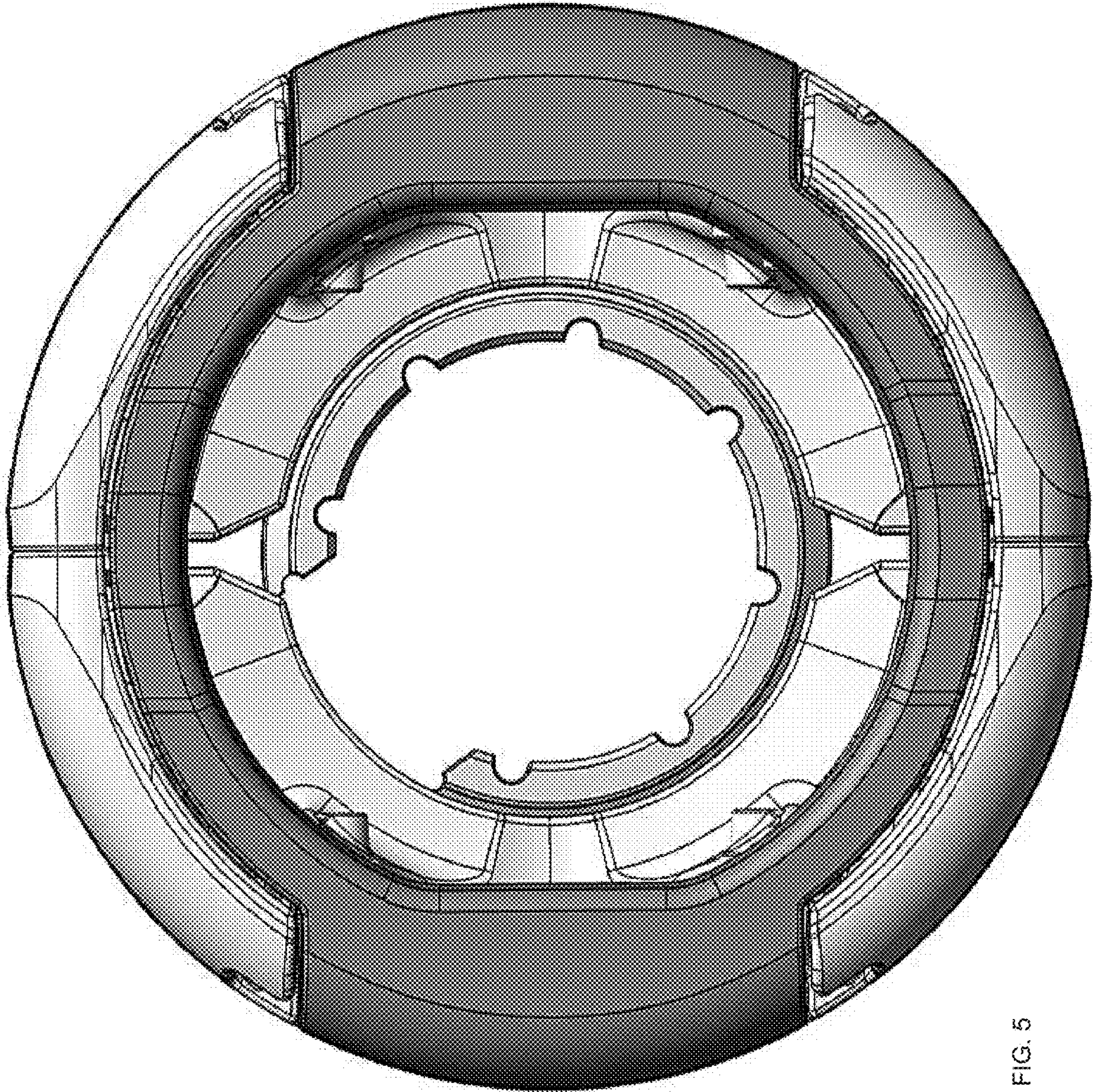


FIG. 5

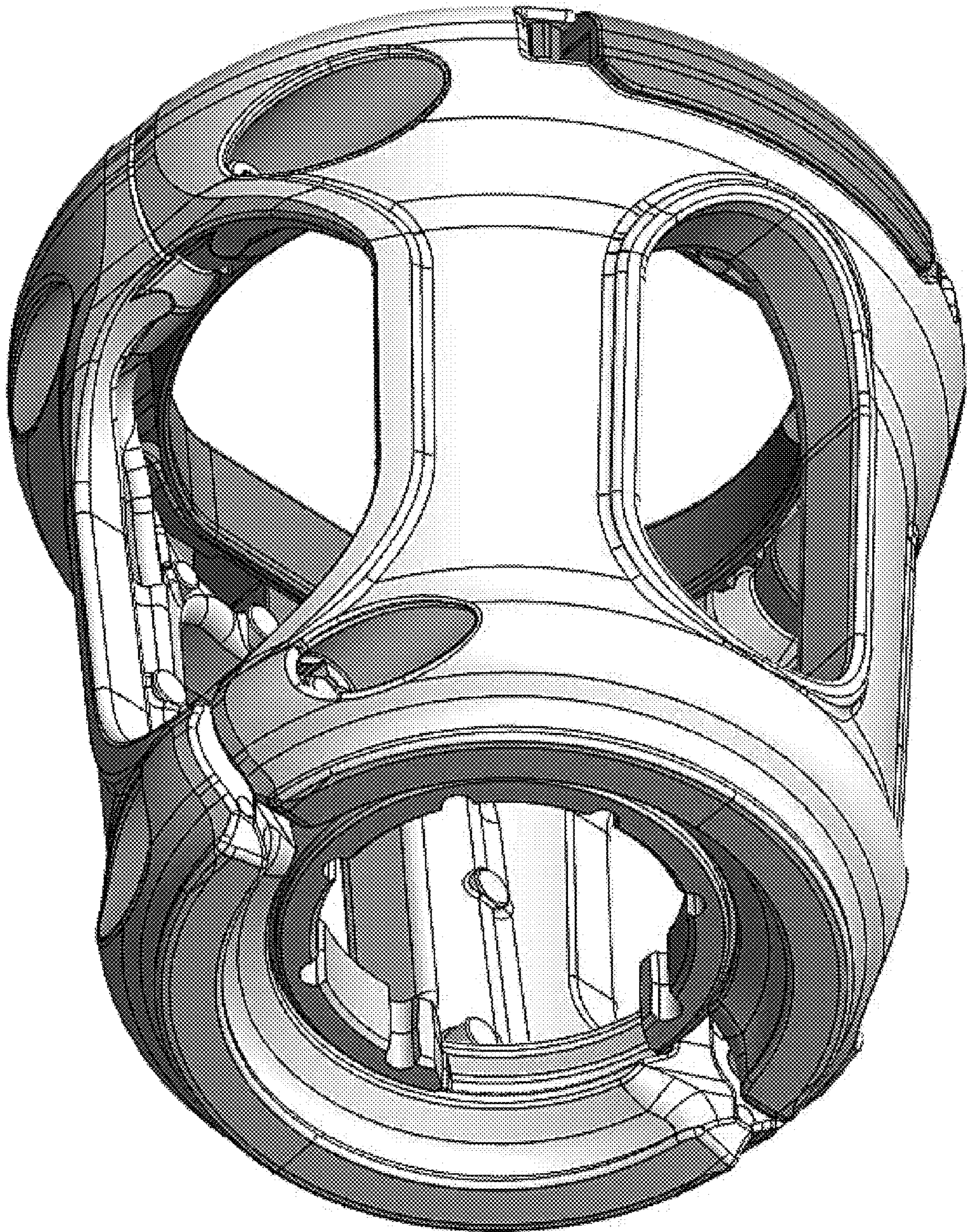


FIG. 6

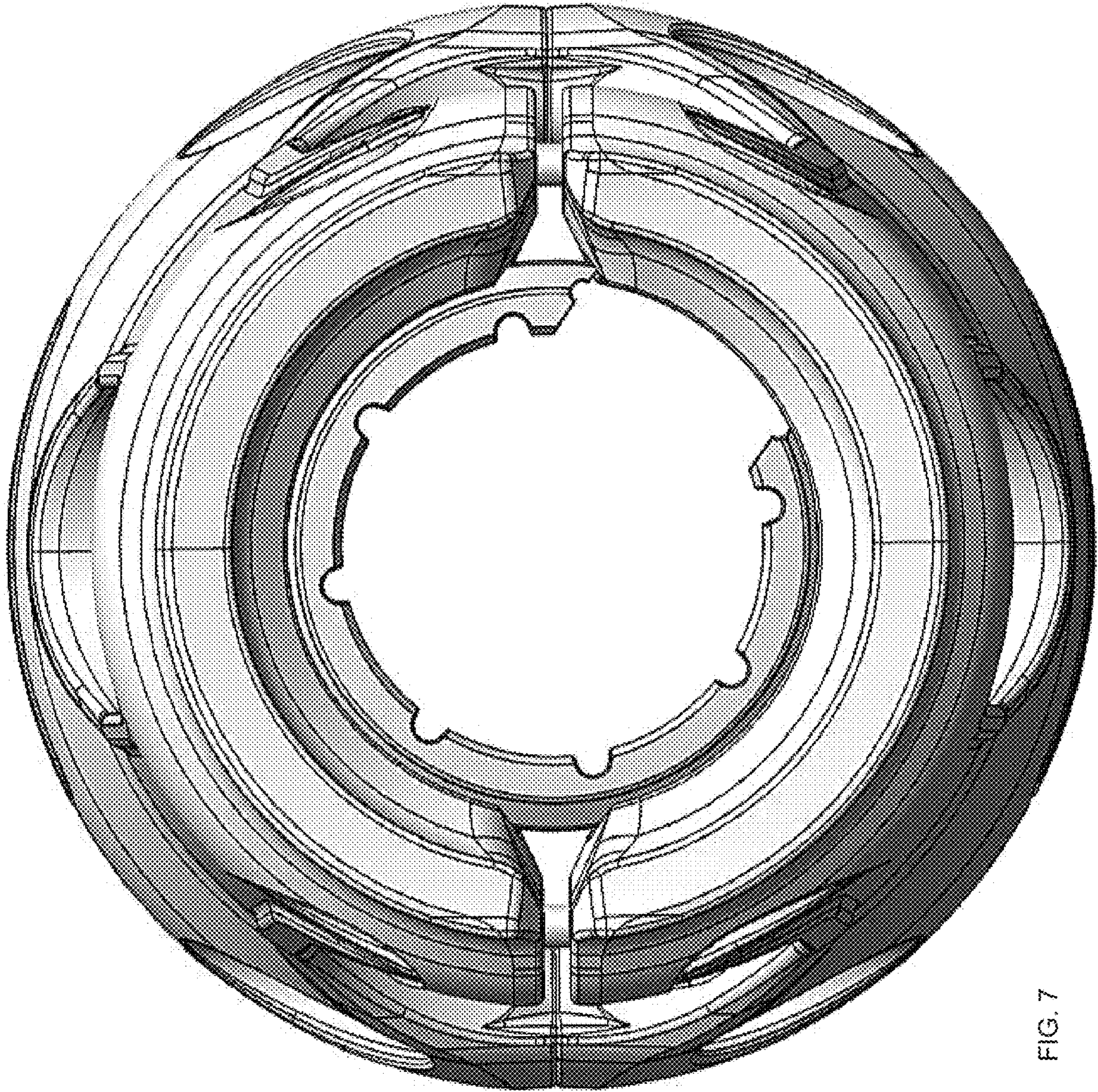


FIG. 7