



US00D923135S

(12) **United States Design Patent**
Morgan

(10) **Patent No.:** **US D923,135 S**
(45) **Date of Patent:** **** Jun. 22, 2021**

(54) **ANTI-SNAG FISHING JIG**
(71) Applicant: **Mystery Tackle Box, Inc.**, Chicago, IL (US)
(72) Inventor: **Jacob Morgan**, Chicago, IL (US)
(73) Assignee: **Mystery Tackle Box, Inc.**, Chicago, IL (US)

(**) Term: **15 Years**

(21) Appl. No.: **29/726,045**

(22) Filed: **Feb. 28, 2020**

(51) **LOC (13) Cl.** **22-05**

(52) **U.S. Cl.**
USPC **D22/144**

(58) **Field of Classification Search**
USPC D22/144, 126; 43/42.04, 42.05, 42.4, 43/42.19, 42.25, 42.26, 42.29, 42.31, 43/42.39, 44.8, 44.96
CPC A01K 85/00; A01K 85/01; A01K 85/02; A01K 85/005; A01K 85/16
See application file for complete search history.

(56) **References Cited**

U.S. PATENT DOCUMENTS

1,773,561 A * 8/1930 Wethall A01K 85/16
43/42.04
2,625,767 A * 1/1953 Pokras A01K 85/00
43/42.05
4,450,645 A * 5/1984 Ancona A01K 85/00
43/42.25
5,134,800 A * 8/1992 Sheehan A01K 85/00
43/42.25
5,524,378 A * 6/1996 Hood A01K 85/01
43/42.31
D405,863 S * 2/1999 Laney D22/126
D413,647 S * 9/1999 Laney D22/126
D585,957 S * 2/2009 White D22/144

D586,423 S * 2/2009 Evans D22/144
8,869,446 B2 * 10/2014 Parks A01K 85/02
43/42.4
D893,670 S * 8/2020 Hill D22/144
2006/0201050 A1 * 9/2006 Troutman A01K 85/12
43/42.19
2007/0137094 A1 * 6/2007 Patrick A01K 85/005
43/42.25
2013/0205642 A1 * 8/2013 Parks A01K 85/02
43/42.4

* cited by examiner

Primary Examiner — Catherine R Oliver-Garcia
(74) *Attorney, Agent, or Firm* — K&L Gates LLP

(57) **CLAIM**

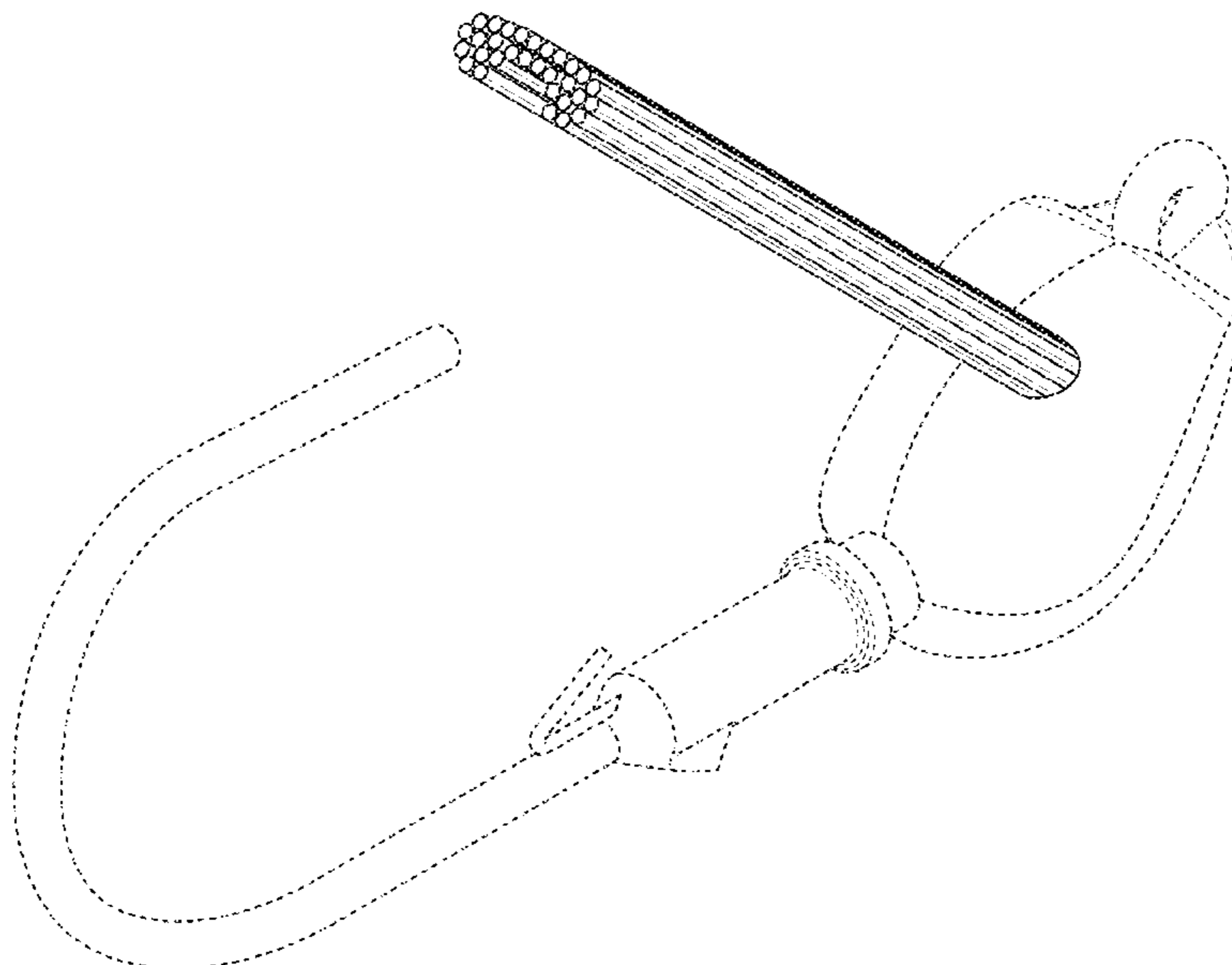
The ornamental design for an anti-snag fishing jig, as shown and described herein.

DESCRIPTION

FIG. 1 illustrates a perspective view of an anti-snag fishing jig, according to an embodiment of the invention.
FIG. 2 illustrates a bottom view of the anti-snag fishing jig shown in FIG. 1.
FIG. 3 illustrates a top view of the anti-snag fishing jig shown in FIG. 1.
FIG. 4 illustrates a left side view of the anti-snag fishing jig shown in FIG. 1.
FIG. 5 illustrates a right side view of the anti-snag fishing jig shown in FIG. 1.
FIG. 6 illustrates a rear view of the anti-snag fishing jig shown in FIG. 1; and,
FIG. 7 illustrates a front view of the anti-snag fishing jig shown in FIG. 1.

The ornamental design that is claimed is shown in solid lines in the drawings. Any broken lines in the drawings are for illustrative purposes only and form no part of the claimed design.

1 Claim, 5 Drawing Sheets



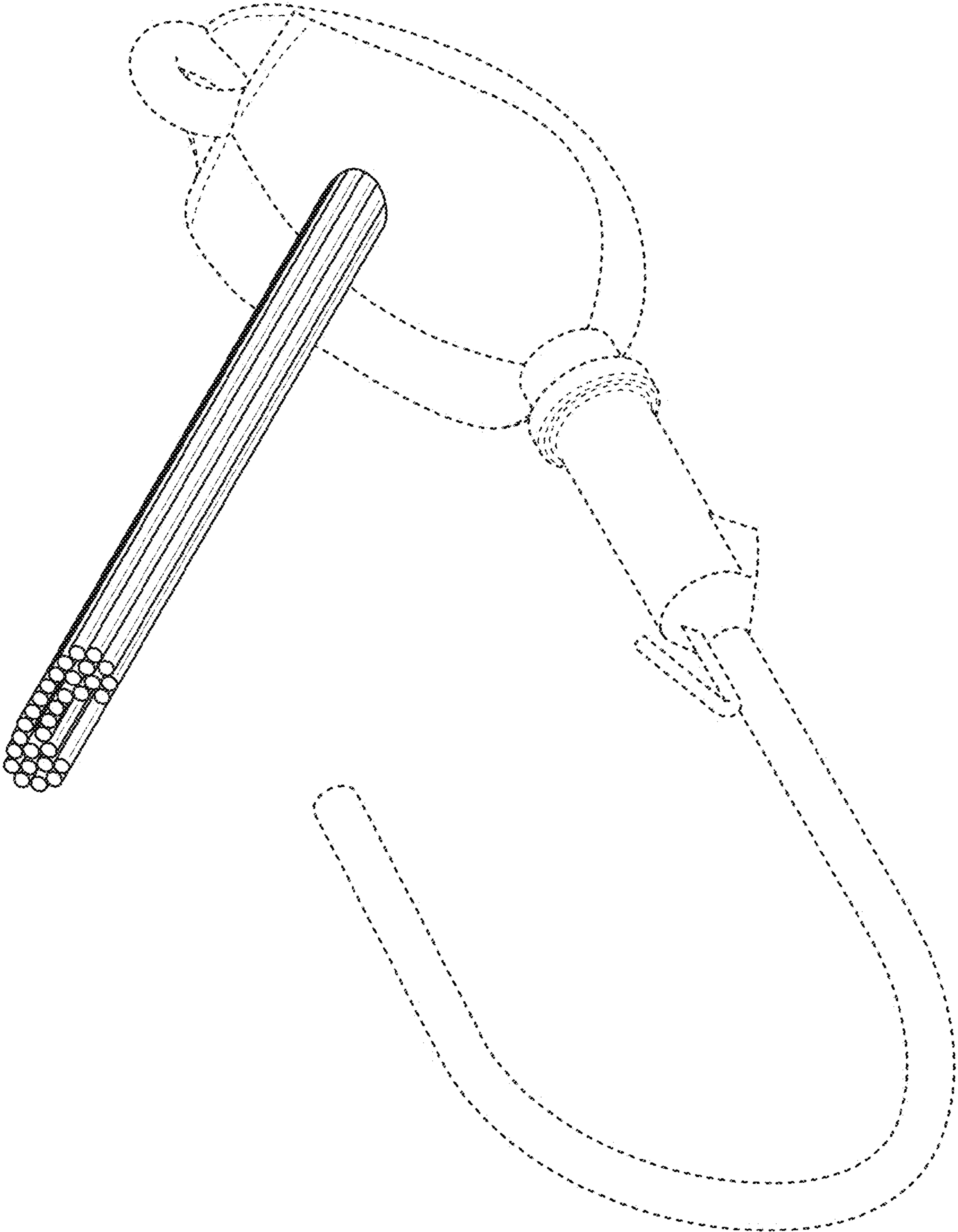


FIG. 1

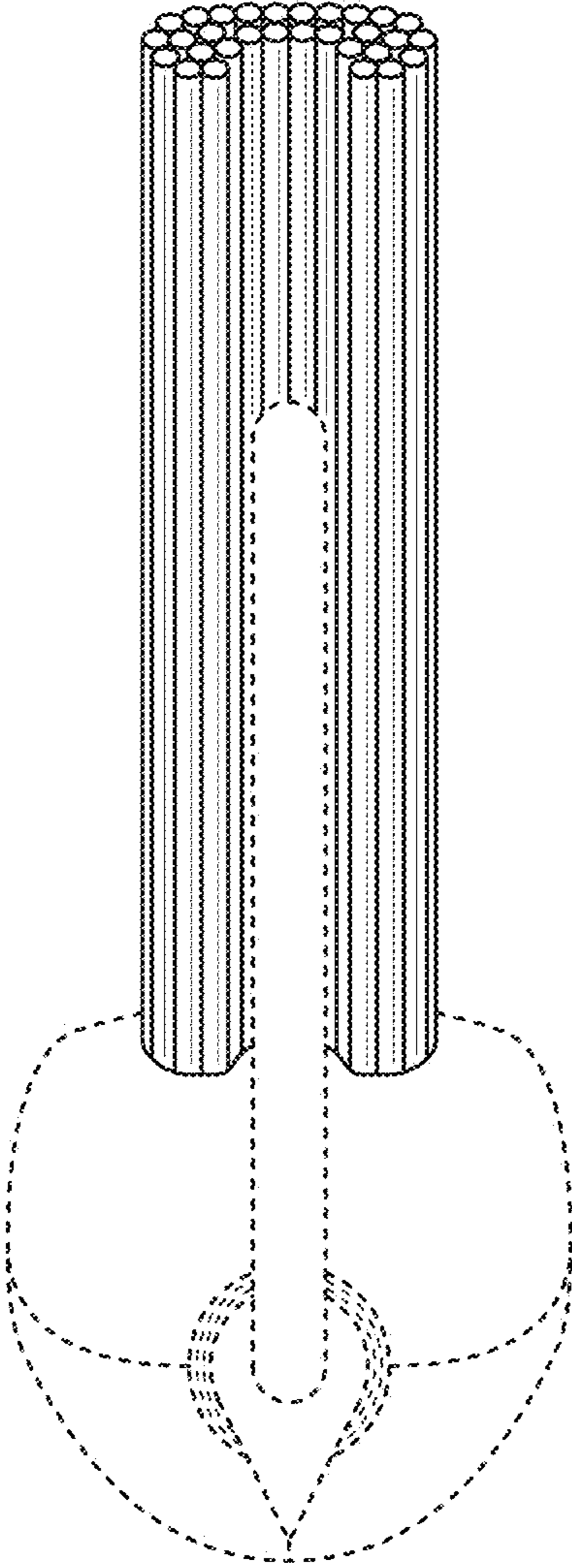


FIG. 2

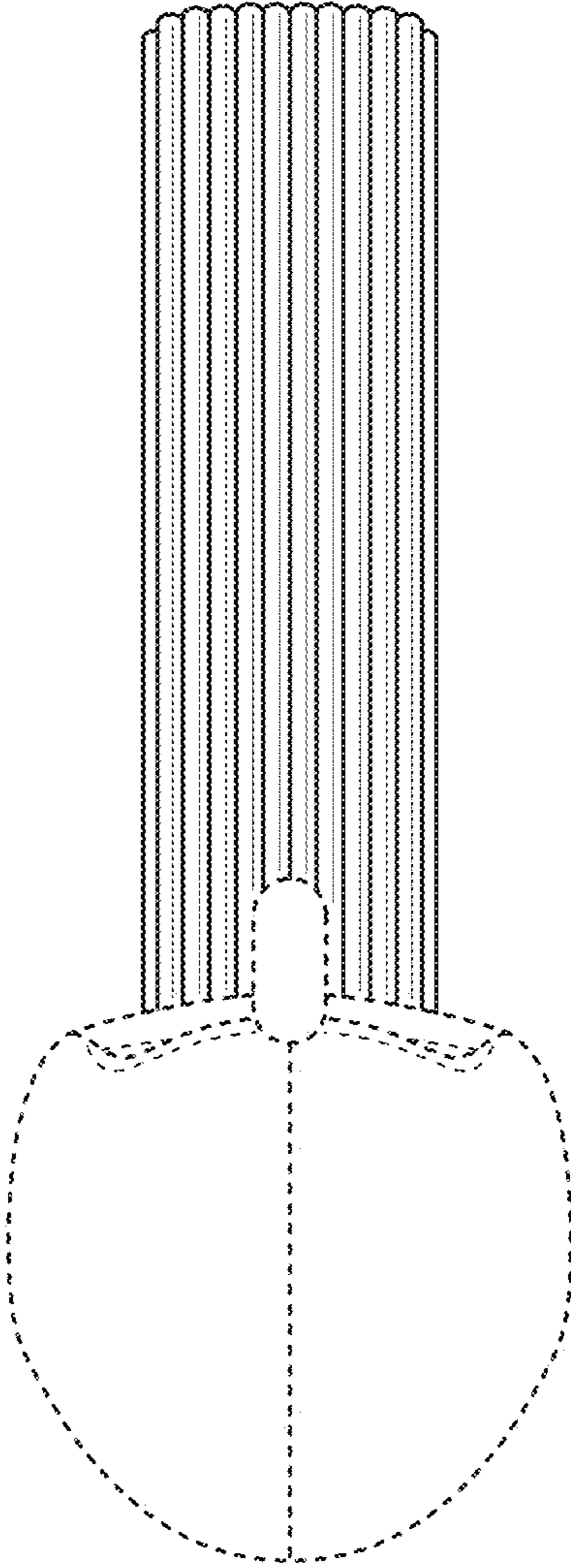


FIG. 3

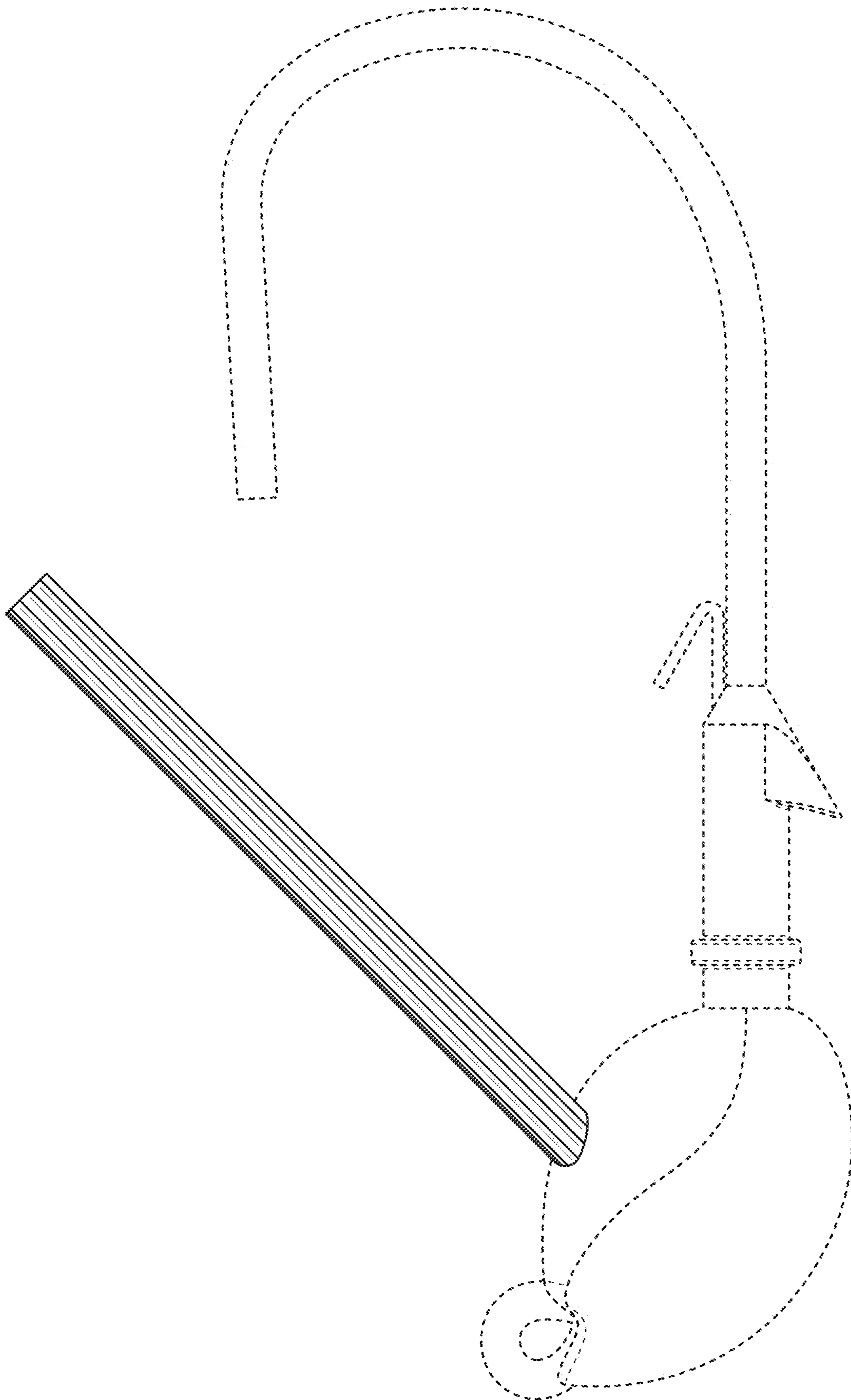


FIG. 4

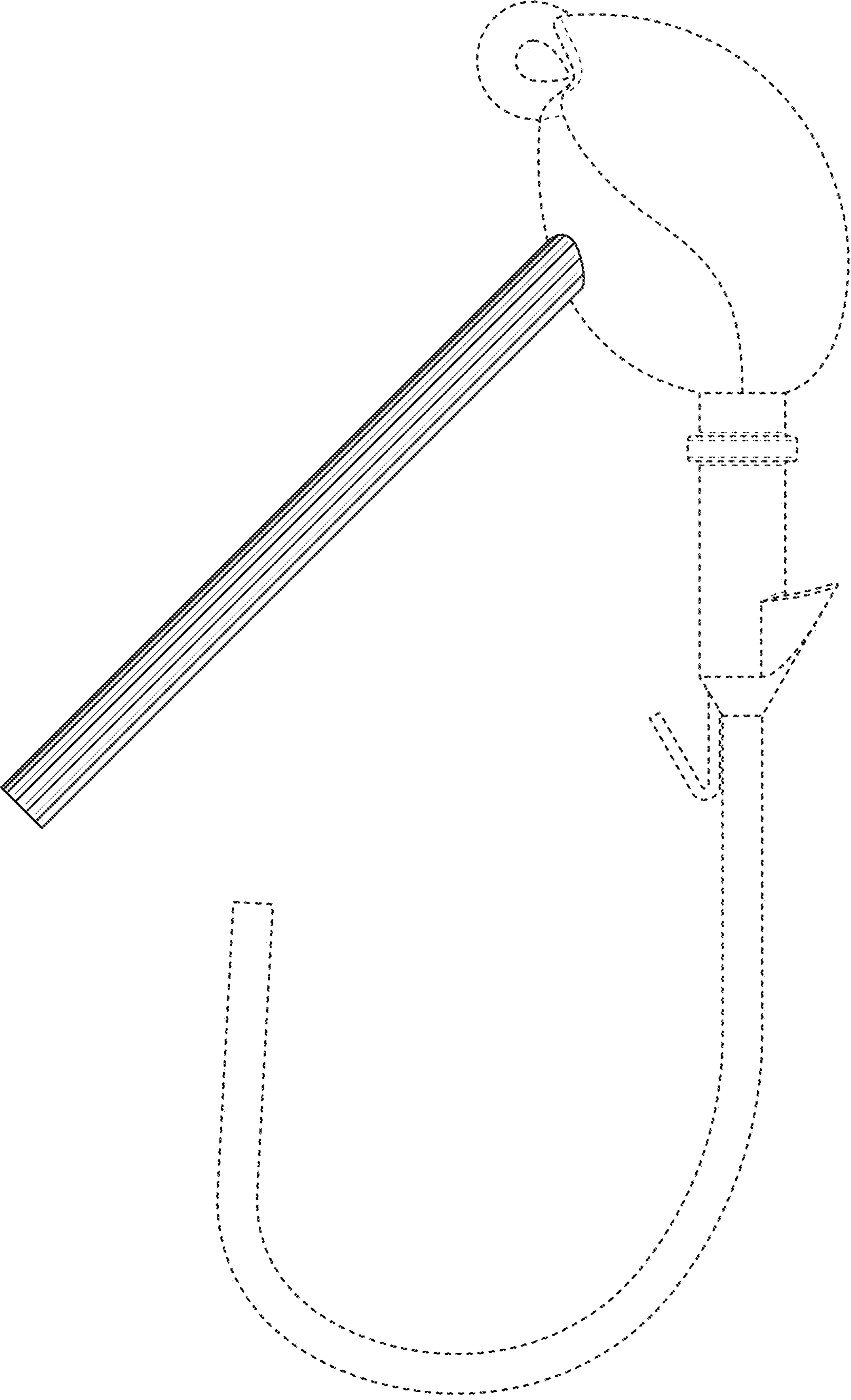


FIG. 5

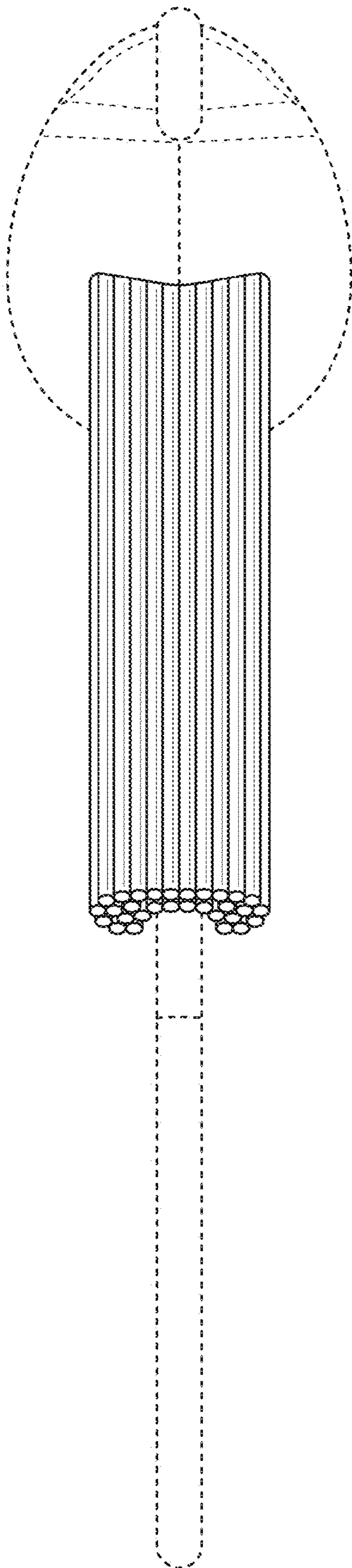


FIG. 6

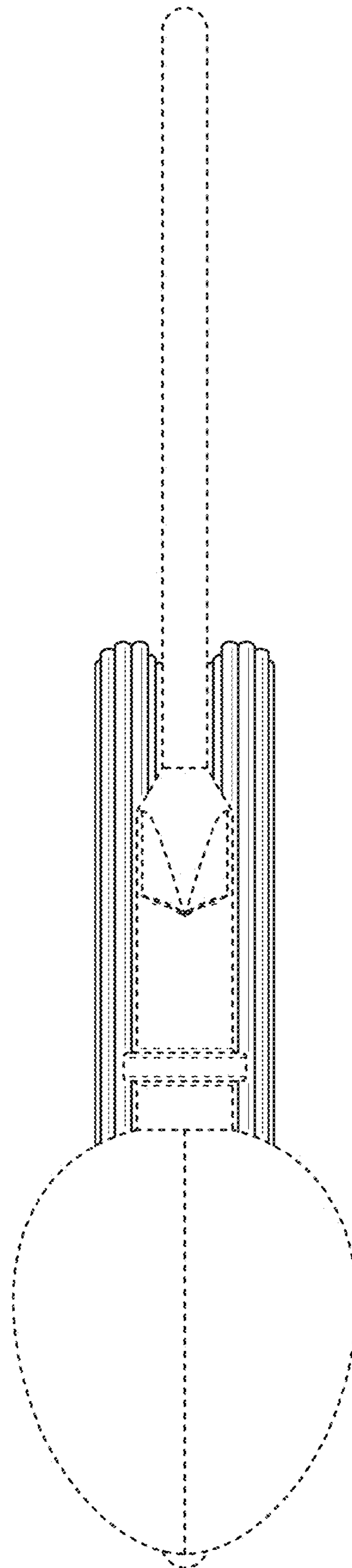


FIG. 7