



US00D923134S

(12) **United States Design Patent**
Wu

(10) **Patent No.:** **US D923,134 S**

(45) **Date of Patent:** **** Jun. 22, 2021**

(54) **SHOOTING SHELF**

(71) Applicant: **Rong Wu**, Shantou (CN)

(72) Inventor: **Rong Wu**, Shantou (CN)

(**) Term: **15 Years**

(21) Appl. No.: **29/770,025**

(22) Filed: **Feb. 9, 2021**

(51) **LOC (13) Cl.** **22-04**

(52) **U.S. Cl.**
USPC **D22/113**

(58) **Field of Classification Search**
USPC D22/113; D21/302, 790
CPC F41J 1/10; F41J 5/14; F41J 1/00; F41J
3/0004

See application file for complete search history.

(56) **References Cited**

U.S. PATENT DOCUMENTS

3,355,174 A *	11/1967	Hutson	F41J 1/10 273/408
6,491,303 B1 *	12/2002	Huston	F41J 1/10 273/407
D721,137 S	1/2015	Sindaco		
9,255,773 B1 *	2/2016	Hall	F41J 1/10
D807,964 S	1/2018	Coran		
D872,181 S *	1/2020	Engler	D21/302
D872,182 S *	1/2020	Engler	D21/302

D873,348 S	1/2020	Wolters		
D910,799 S *	2/2021	Staats	D22/113
2008/0211190 A1 *	9/2008	Smith	F41J 1/10 273/407
2011/0127723 A1 *	6/2011	Haynes	F41J 1/10 273/407
2016/0091285 A1 *	3/2016	Mason	F41J 5/06 273/372
2020/0116459 A1 *	4/2020	Schlangen	F41J 3/0004

* cited by examiner

Primary Examiner — Michael A. Pratt

(74) *Attorney, Agent, or Firm* — True Shepherd LLC;
Andrew C. Cheng

(57) **CLAIM**

The ornamental design for shooting shelf, as shown and described.

DESCRIPTION

FIG. 1 is a perspective view of a shooting shelf showing my new design;

FIG. 2 is a front view thereof;

FIG. 3 is a rear view thereof;

Fig. 4 is a left side view thereof;

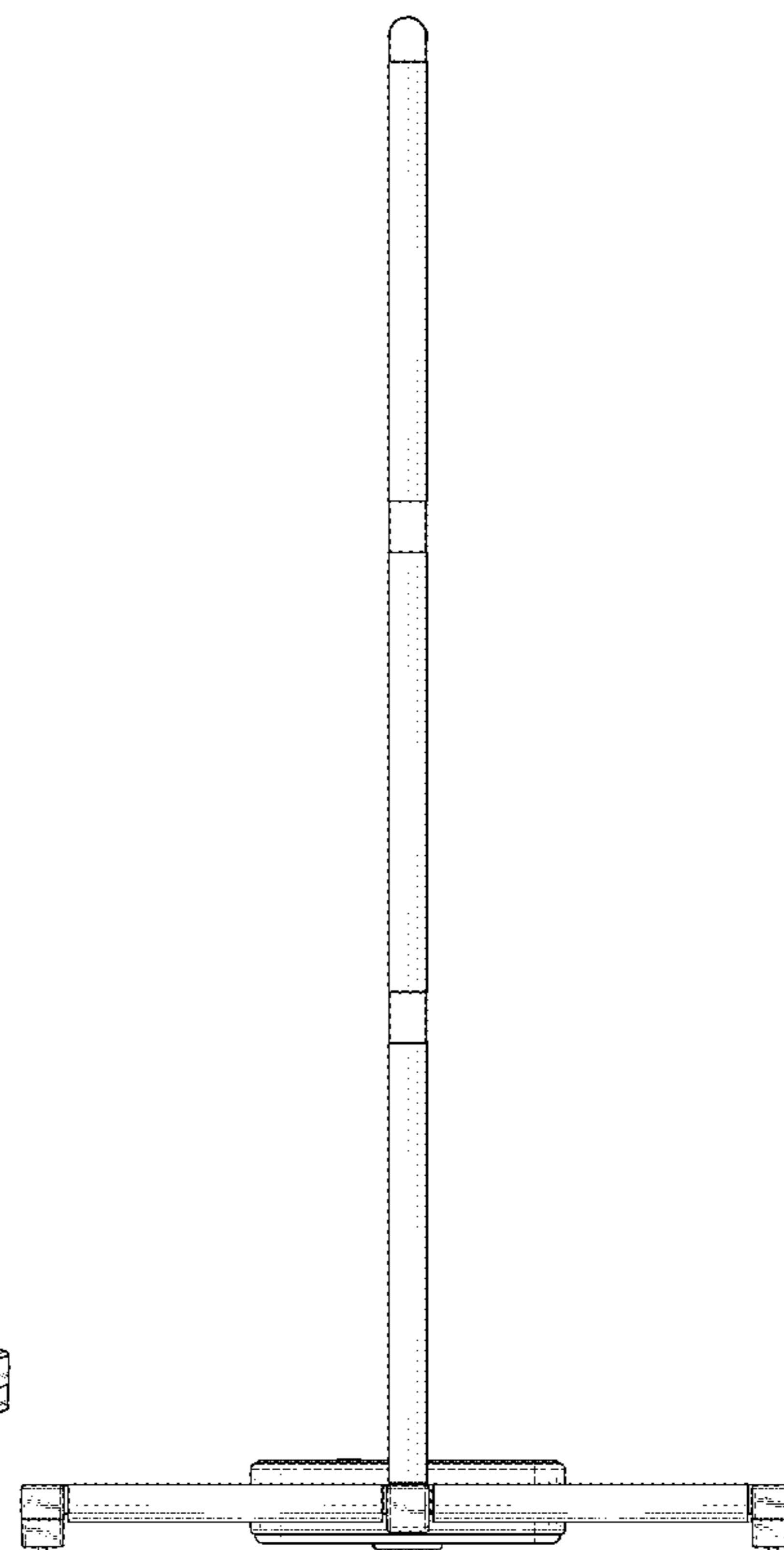
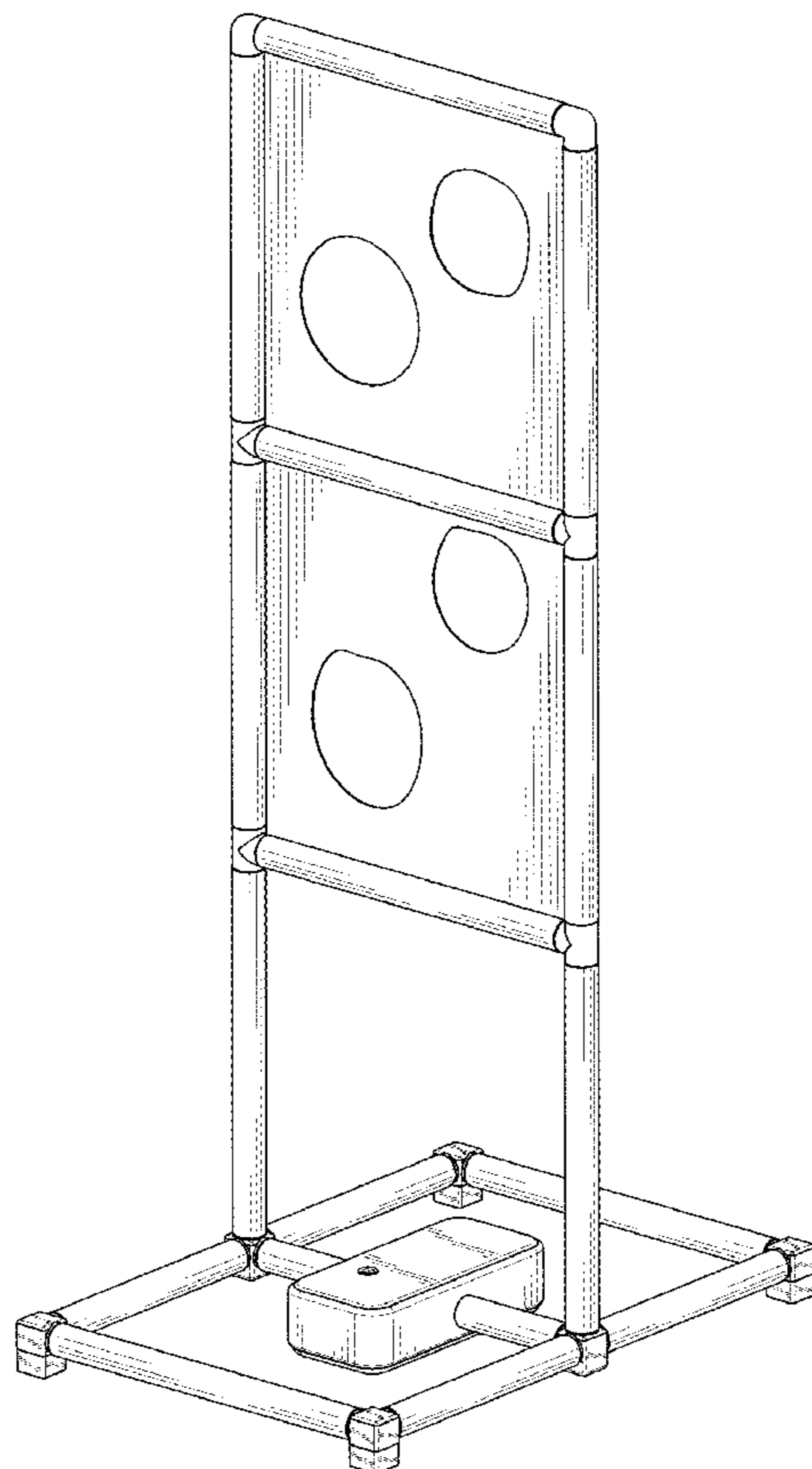
FIG. 5 is a right side view thereof;

FIG. 6 is a top plan view thereof; and,

FIG. 7 is a bottom plan view thereof.

The broken lines depict portions of the shooting shelf and form no part of the claimed design.

1 Claim, 7 Drawing Sheets



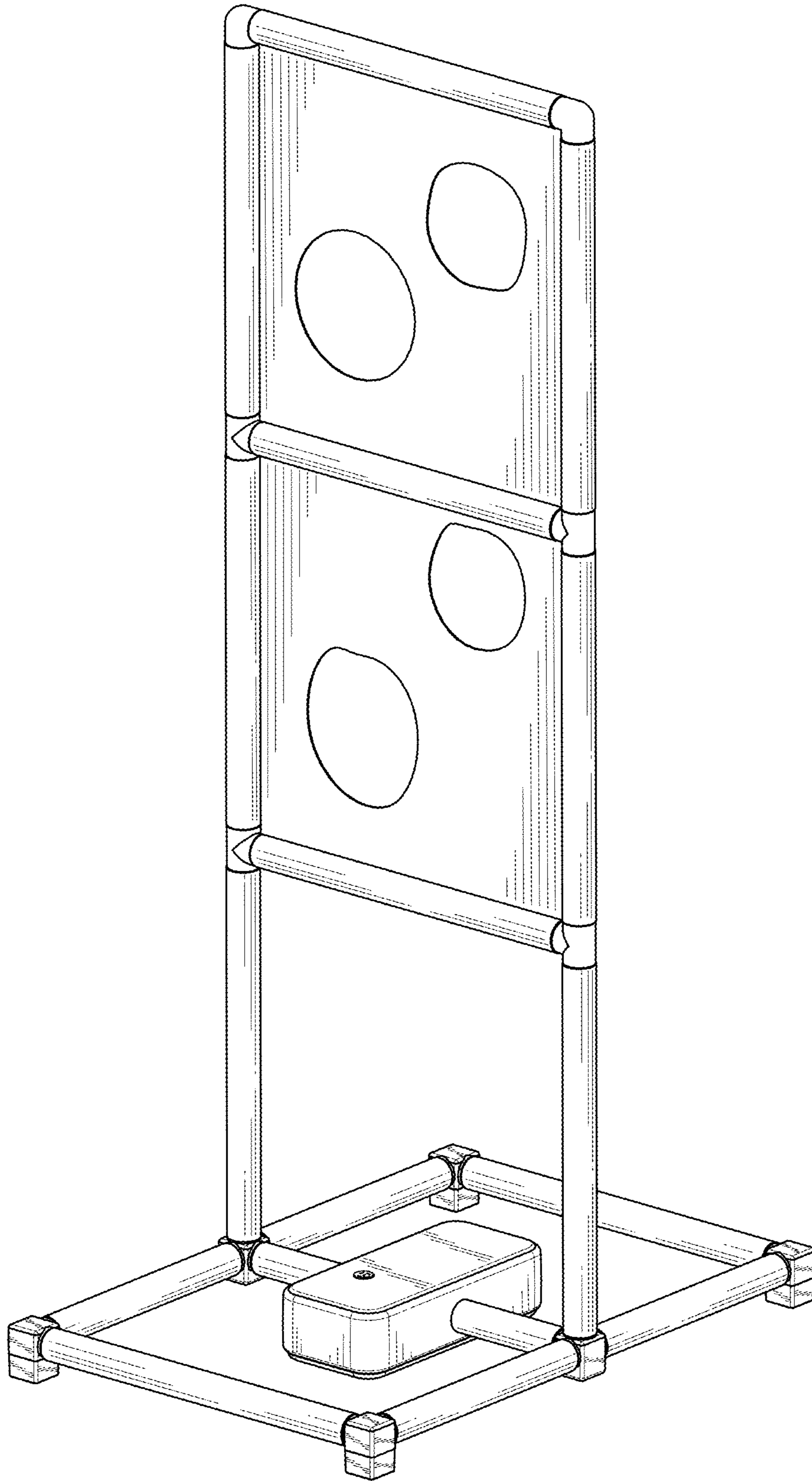


FIG. 1

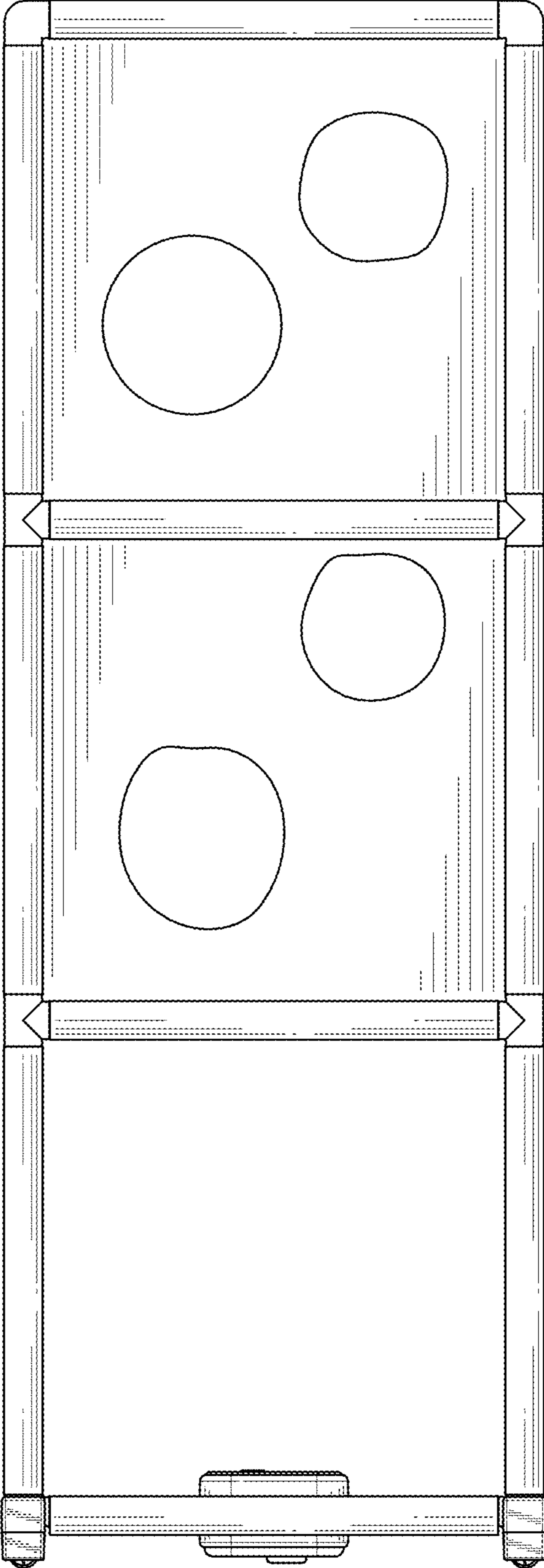


FIG. 2

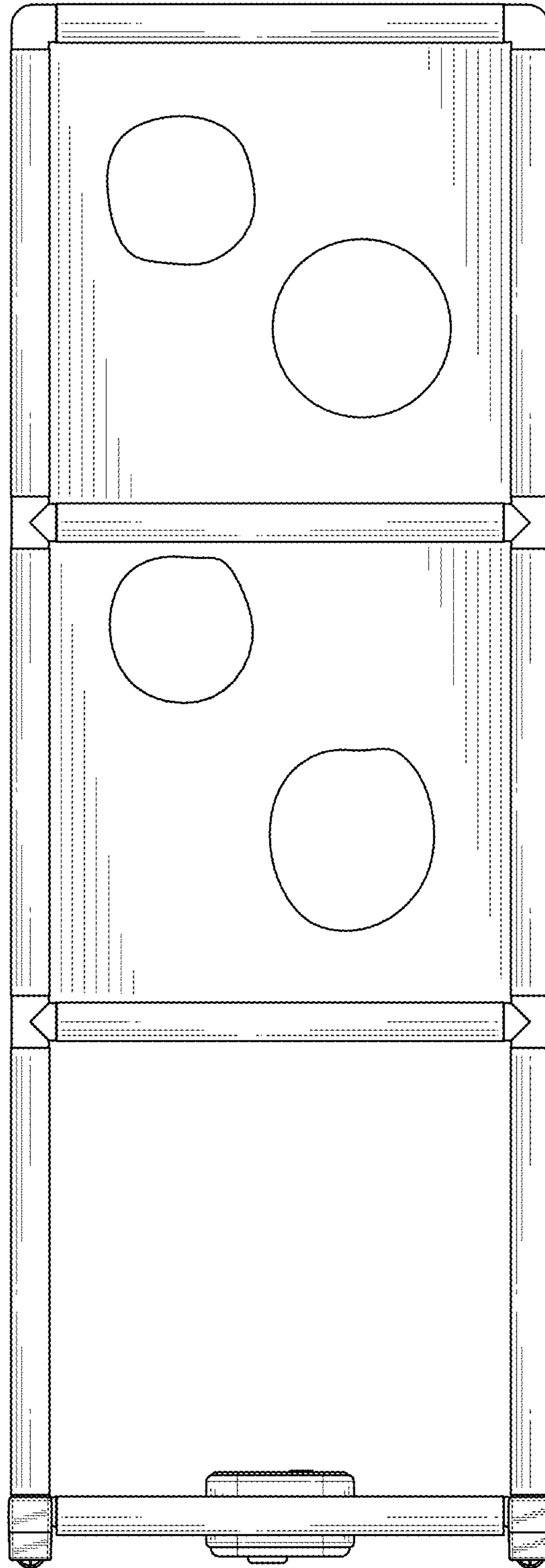


FIG. 3

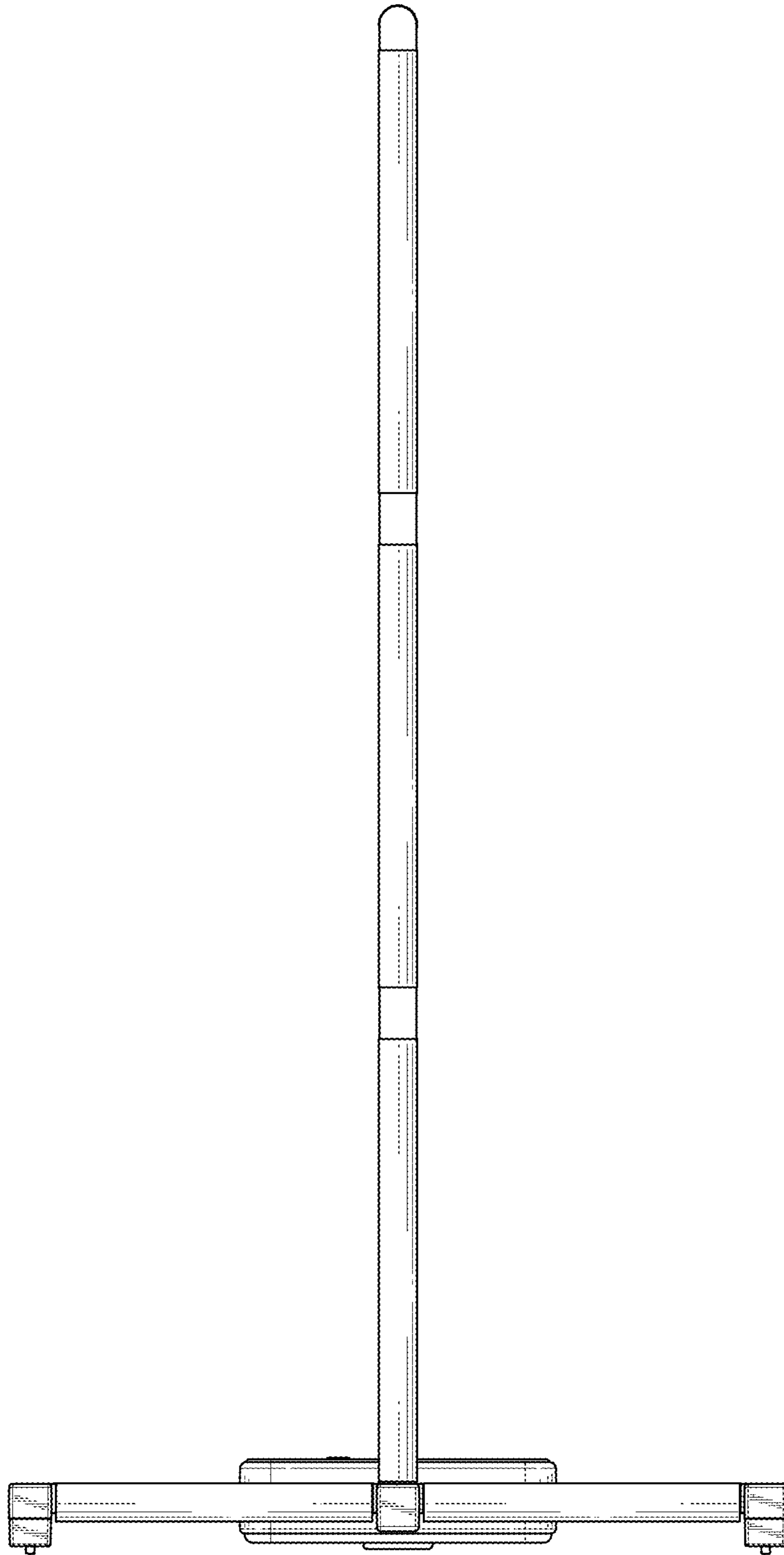


FIG. 4

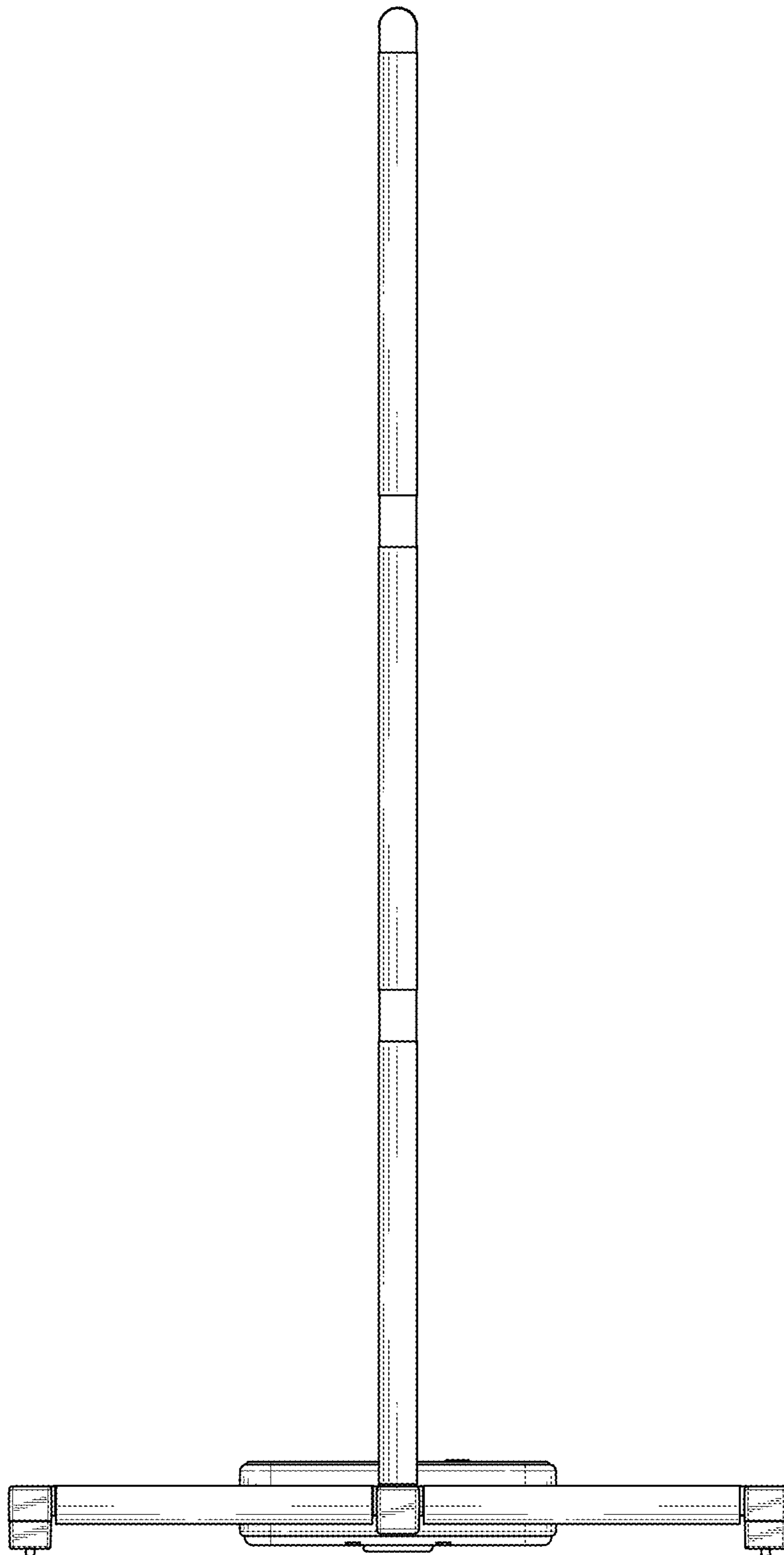


FIG. 5

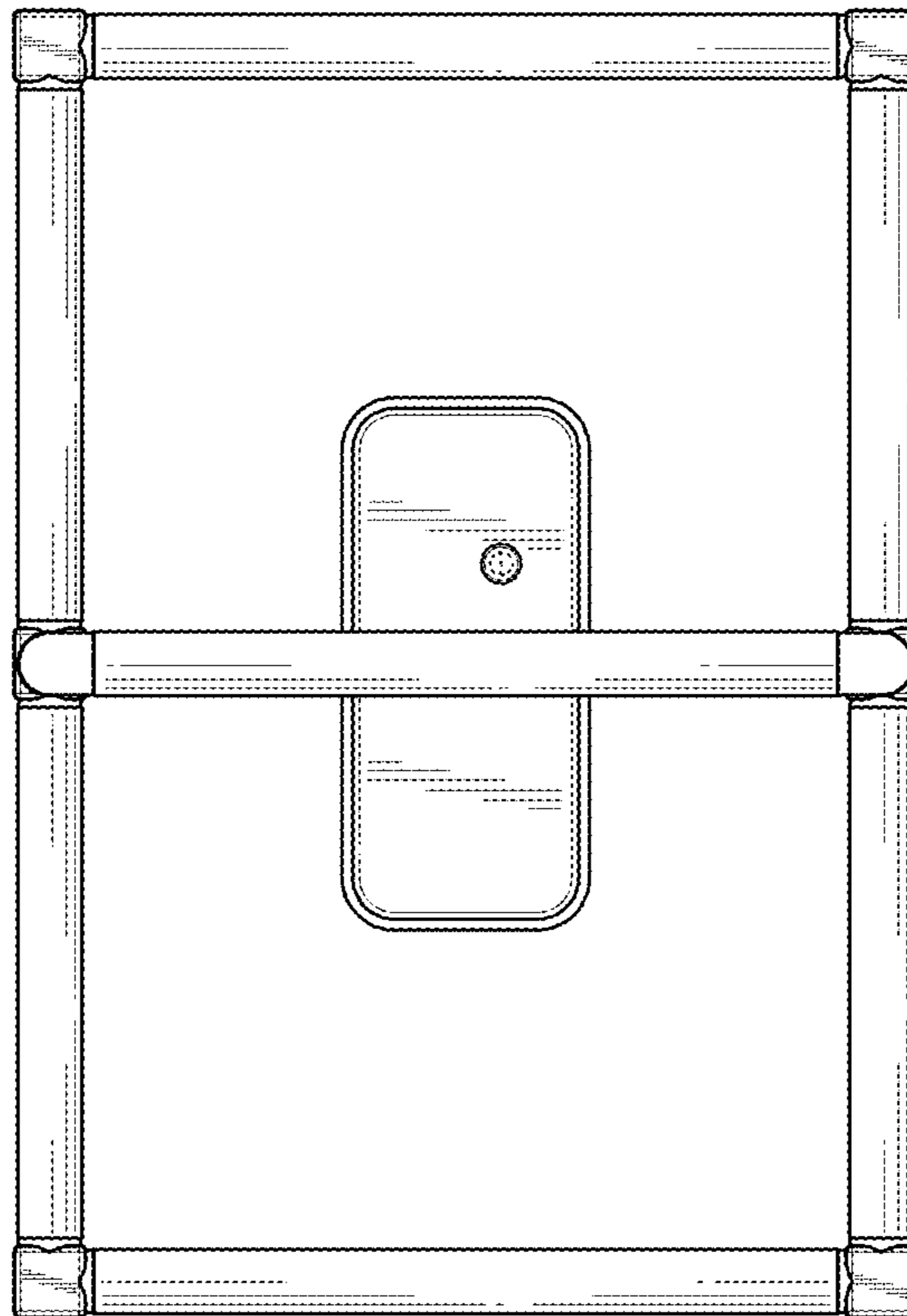


FIG. 6

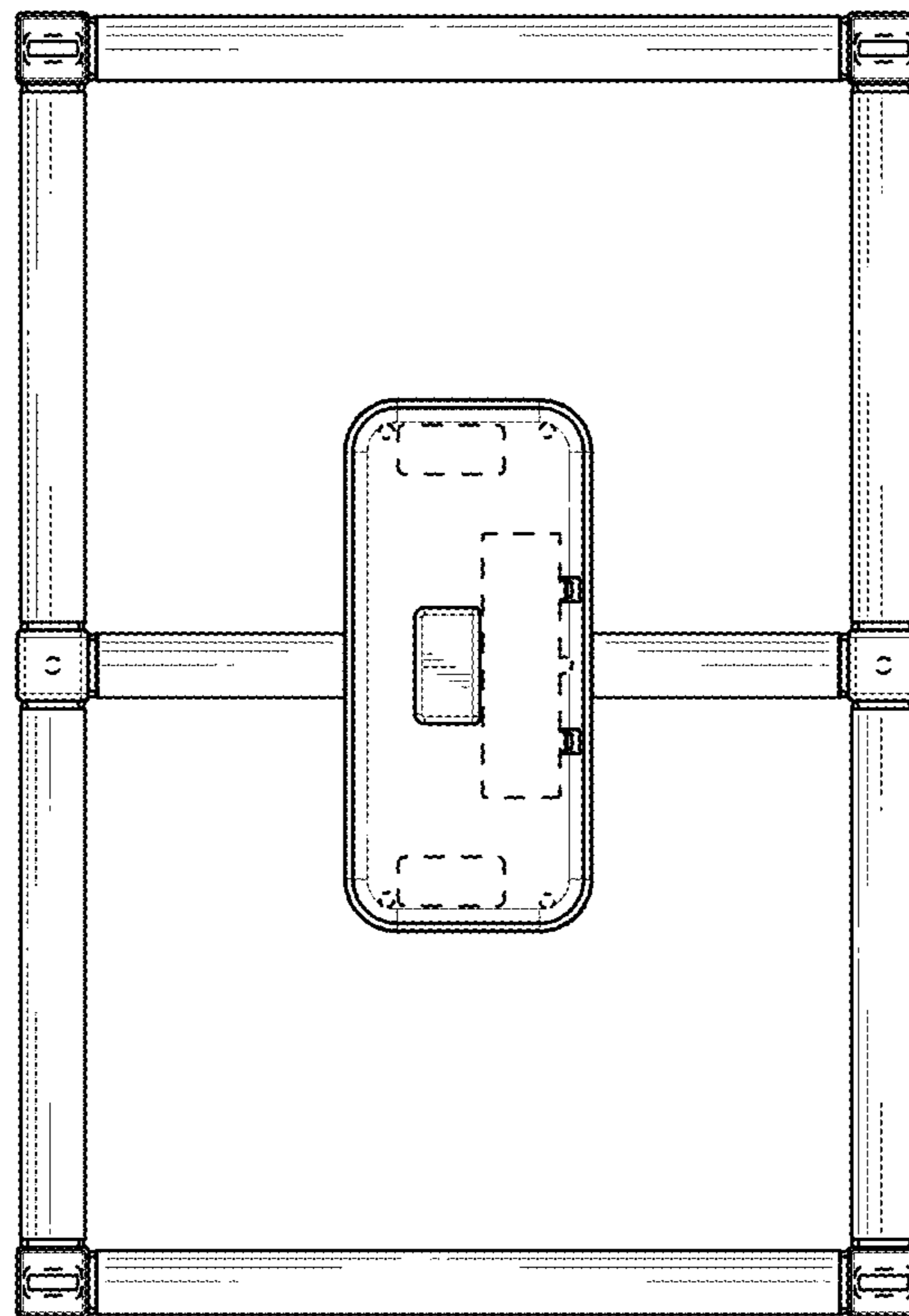


FIG. 7