



US00D923132S

(12) **United States Design Patent**
Wang

(10) **Patent No.:** **US D923,132 S**

(45) **Date of Patent:** **** Jun. 22, 2021**

(54) **MAGNETIC MOUNT FOR PISTOL**

(71) Applicant: **Yixia Wang**, Guangdong (CN)

(72) Inventor: **Yixia Wang**, Guangdong (CN)

(**) Term: **15 Years**

(21) Appl. No.: **29/767,402**

(22) Filed: **Jan. 22, 2021**

(51) **LOC (13) Cl.** **22-01**

(52) **U.S. Cl.**
USPC **D22/110; D22/109**

(58) **Field of Classification Search**
USPC D22/110; D6/368, 552; D8/349, 353,
D8/373, 380; D14/258
CPC A47B 81/005; A47B 95/00; A47C 7/004;
B65D 85/00; B65D 85/48; B65D 81/056;
B65D 2581/053; B65D 81/05; E04F
13/06; E04F 19/0436; E04F 19/0495;
E04H 15/32; F16B 45/00
See application file for complete search history.

(56) **References Cited**

U.S. PATENT DOCUMENTS

| | | | | | |
|-----------|------|---------|-----------|-------|------------------------|
| 8,602,216 | B1 * | 12/2013 | Lin | | B65D 75/322 206/464 |
| D777,841 | S * | 1/2017 | Kott | | D20/43 |
| D806,818 | S * | 1/2018 | Major | | |
| D811,511 | S * | 2/2018 | Jenkinson | | D22/108 |
| D811,512 | S * | 2/2018 | Jenkinson | | D22/108 |

| | | | | | |
|--------------|------|---------|----------|-------|-------------------------|
| 10,024,615 | B1 * | 7/2018 | Oh | | E05B 47/0001 |
| D849,179 | S * | 5/2019 | Staes | | D22/109 |
| D882,718 | S * | 4/2020 | Wu | | D22/110 |
| 2015/0377578 | A1 * | 12/2015 | Tucker | | F41A 23/18 248/309.4 |
| 2017/0318697 | A1 * | 11/2017 | Lebovitz | | F16B 11/006 |
| 2018/0142989 | A1 * | 5/2018 | Tedder | | F41C 33/041 |
| 2018/0191930 | A1 * | 7/2018 | Jeong | | H05K 1/144 |
| 2020/0049444 | A1 * | 2/2020 | Cerda | | F41A 23/18 |
| 2020/0070030 | A1 * | 3/2020 | Timm | | G01S 19/19 |

* cited by examiner

Primary Examiner — Michael A. Pratt

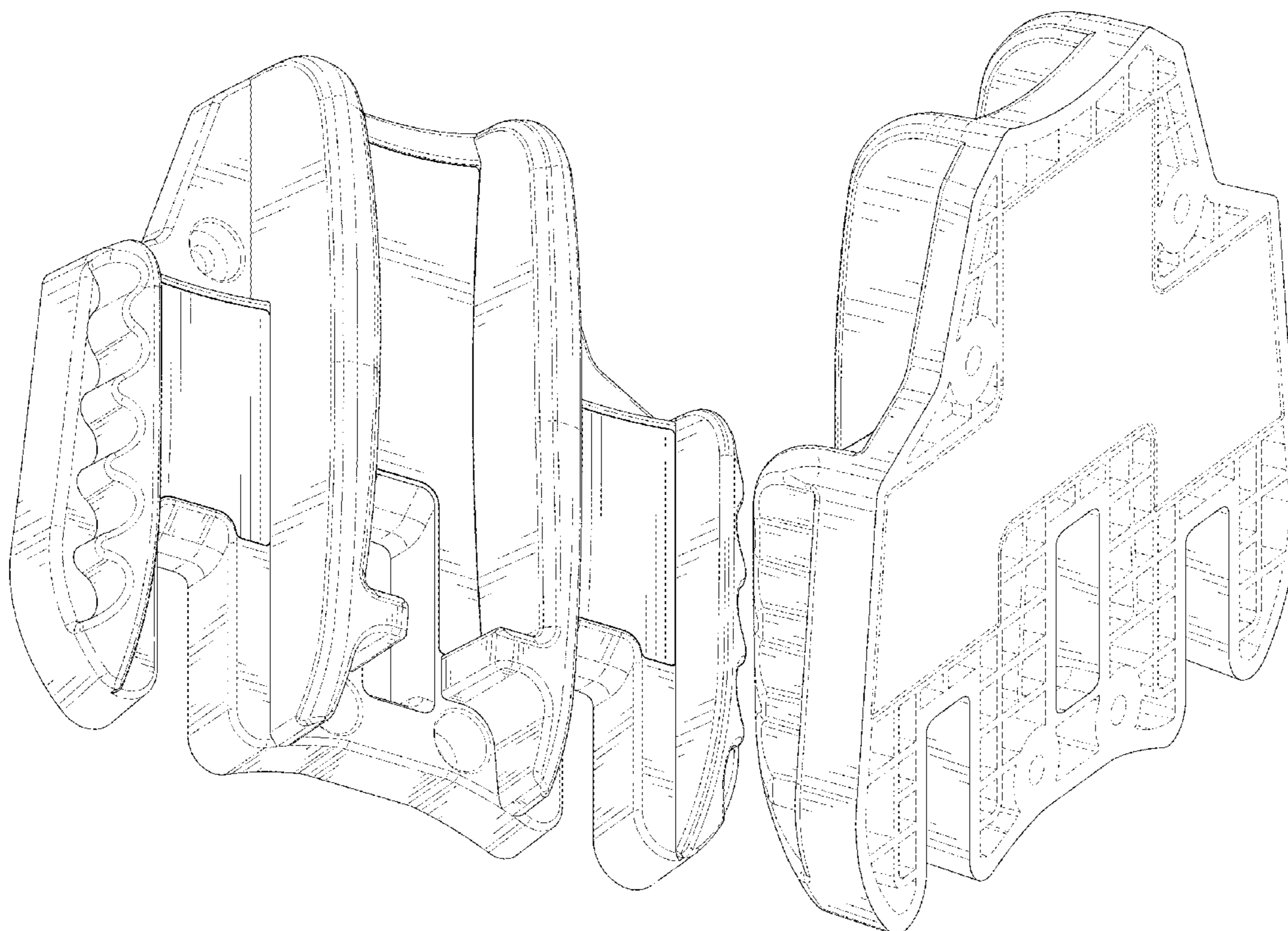
(57) **CLAIM**

The ornamental design for a magnetic mount for pistol, as shown and described.

DESCRIPTION

FIG. 1 is a front and top perspective view of a magnetic mount for pistol, showing my new design;
 FIG. 2 is a rear and bottom perspective view thereof;
 FIG. 3 is a front elevation view thereof;
 FIG. 4 is a rear elevation view thereof;
 FIG. 5 is a left side elevation view thereof;
 FIG. 6 is a right side elevation view thereof;
 FIG. 7 is a top plan view thereof;
 FIG. 8 is a bottom plan view thereof; and,
 FIG. 9 is an exploded view thereof.
 The broken lines in the figures illustrate portions of the magnetic mount for pistol that form no part of the claimed design.

1 Claim, 9 Drawing Sheets



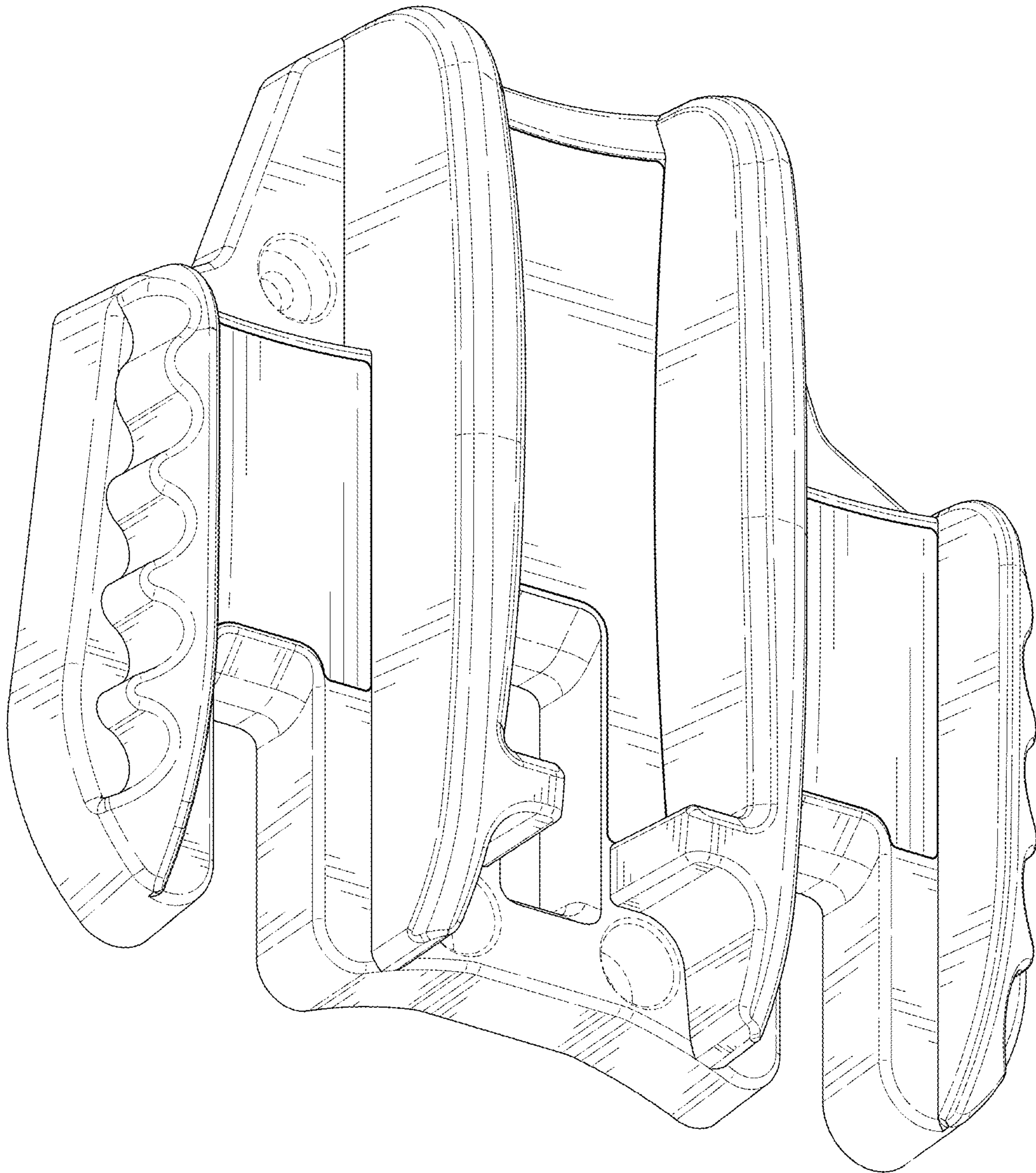


FIG. 1

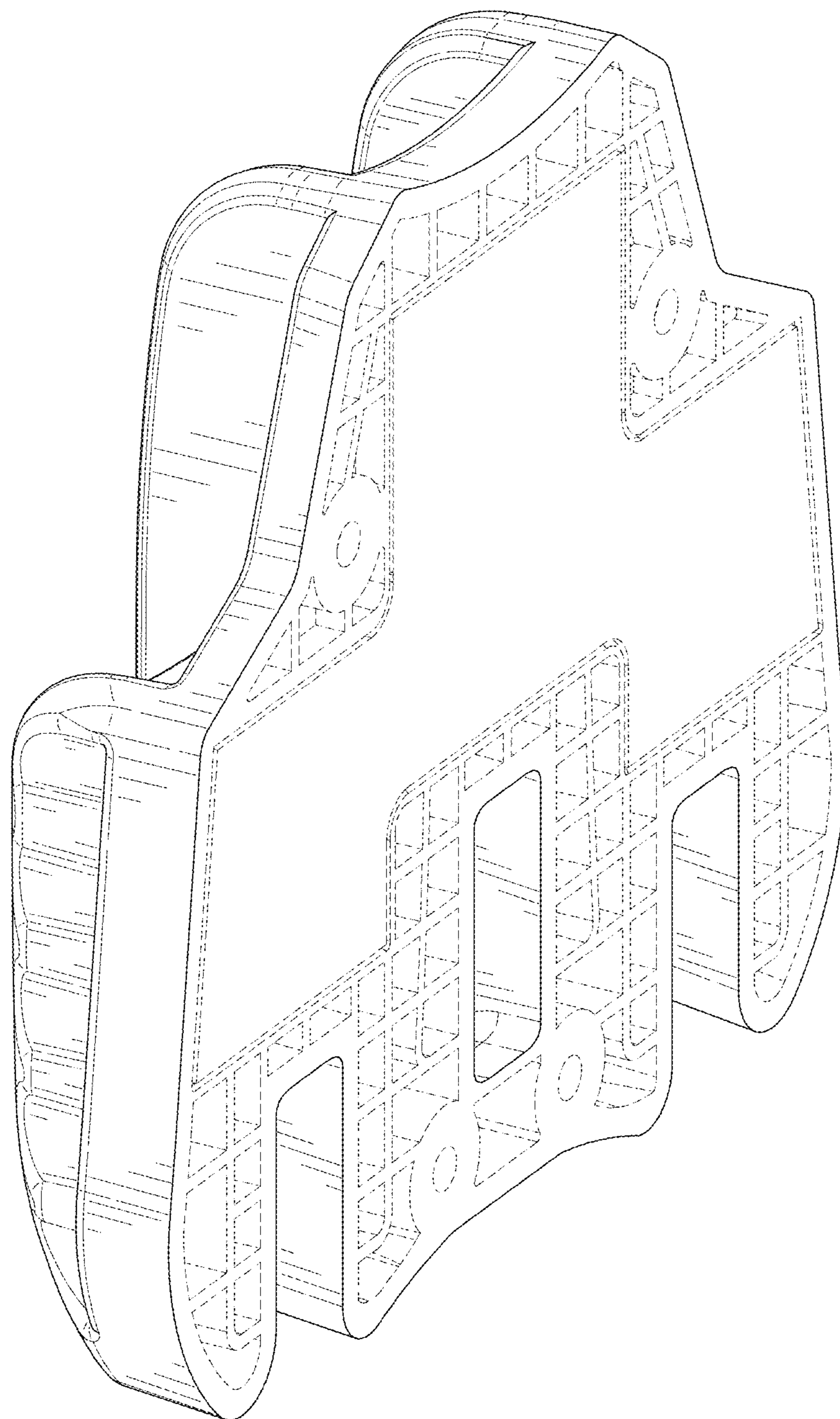


FIG. 2

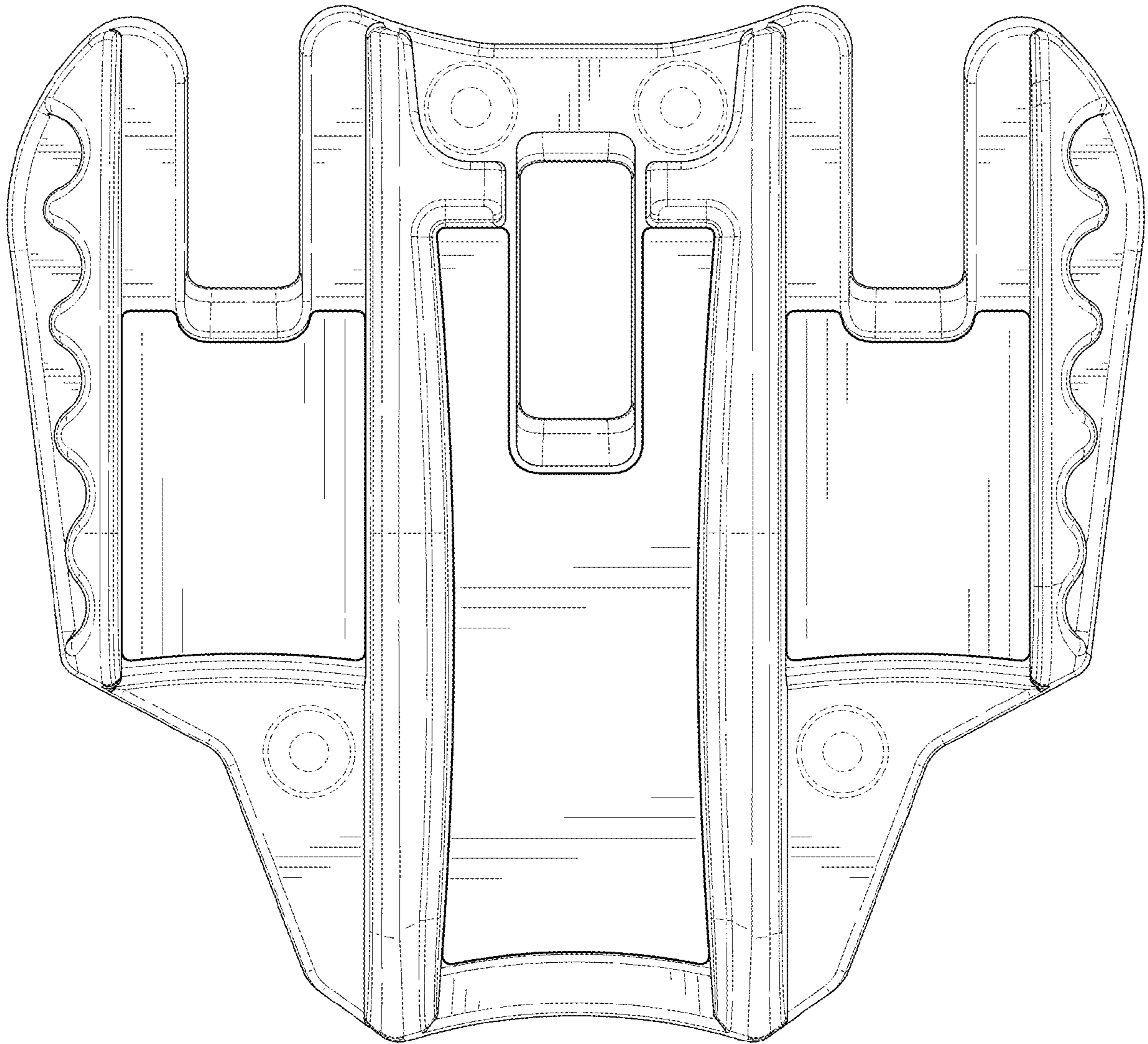


FIG. 3

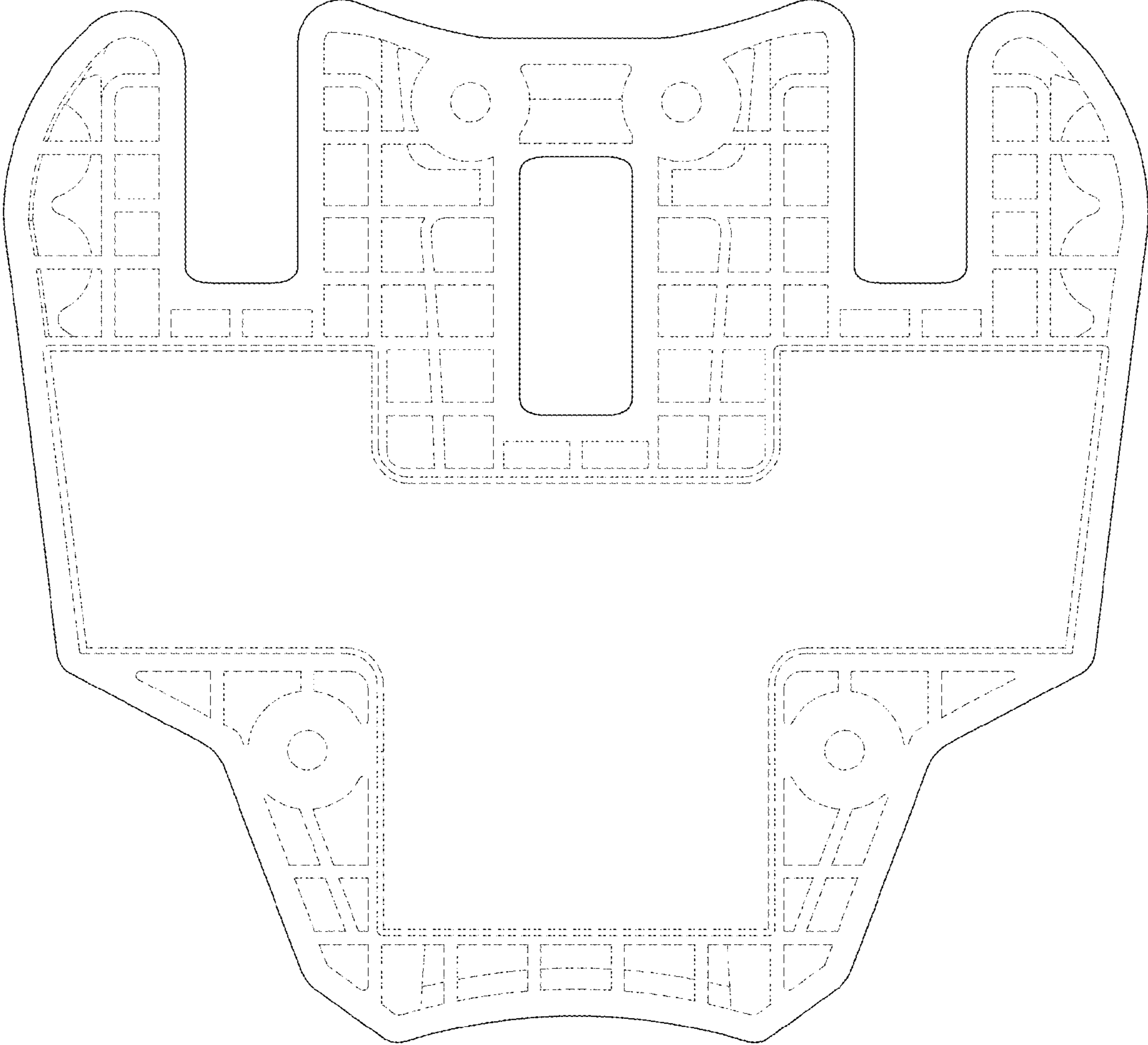


FIG. 4

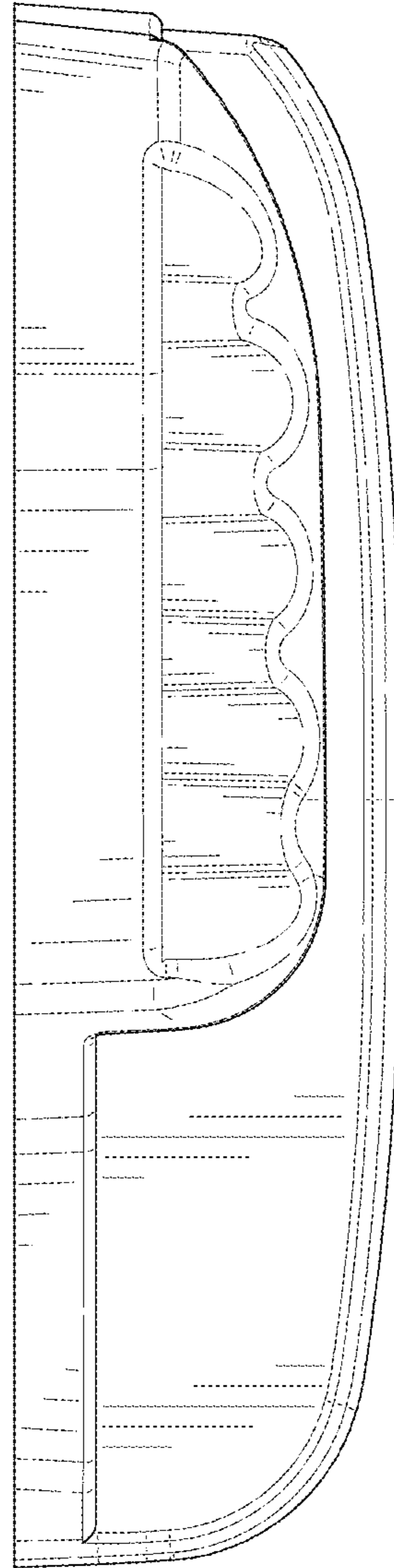


FIG. 5

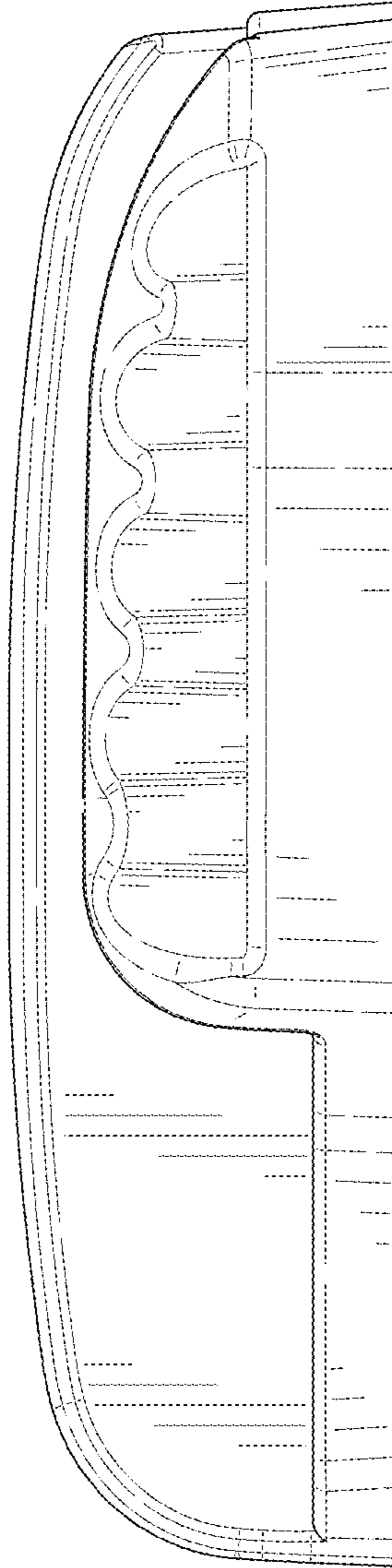


FIG. 6

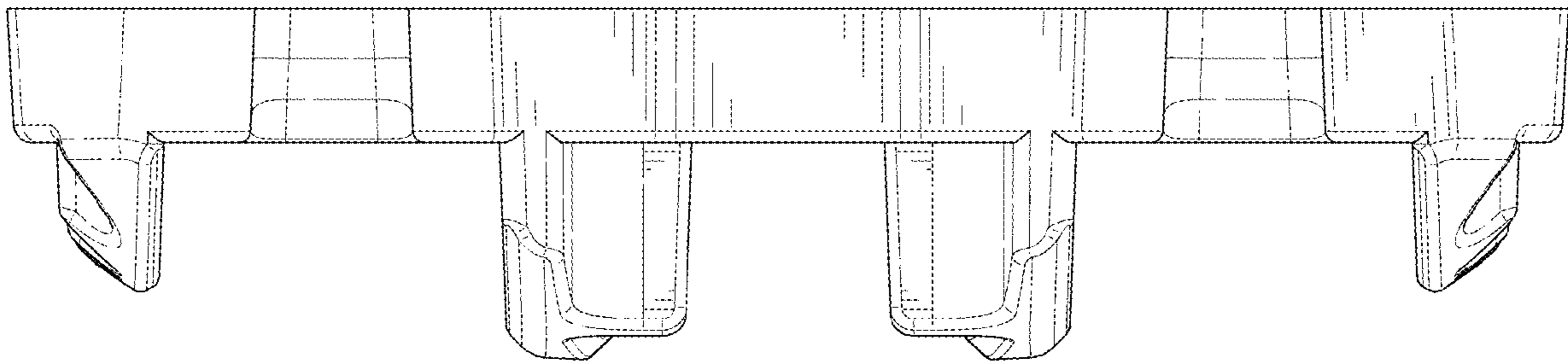


FIG. 7

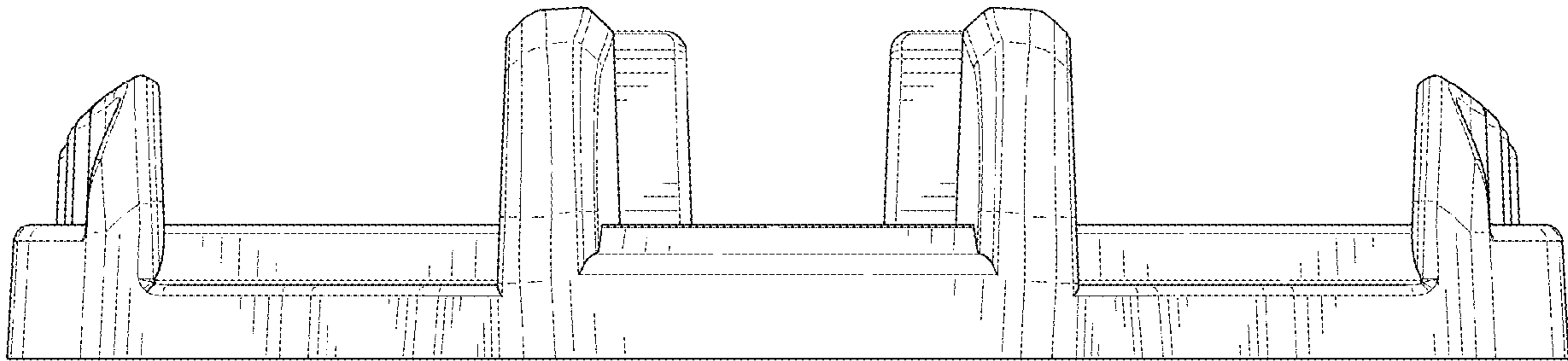


FIG. 8

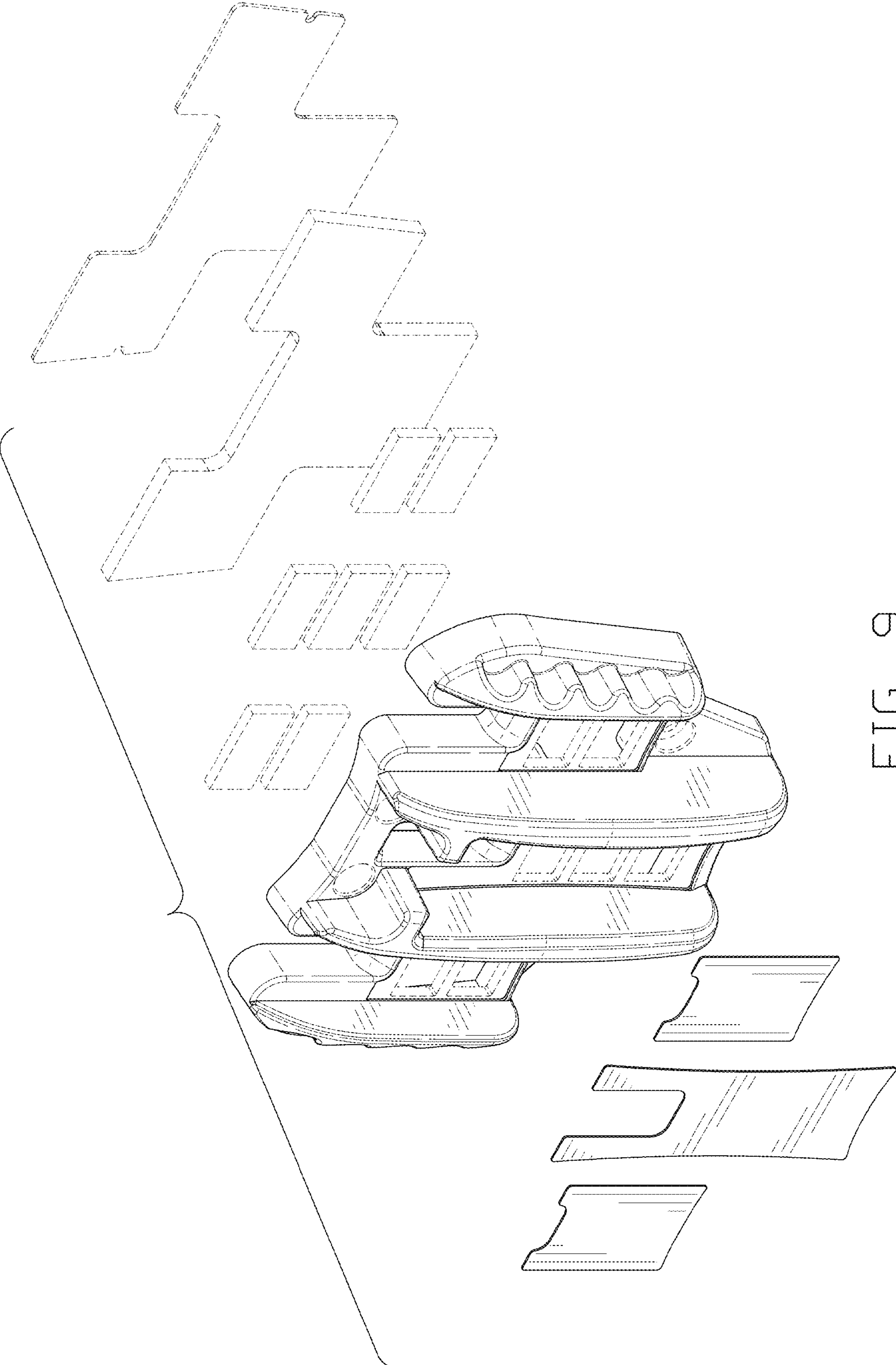


FIG. 9