



US00D923131S

(12) **United States Design Patent**
Wang

(10) **Patent No.:** **US D923,131 S**
(45) **Date of Patent:** **** Jun. 22, 2021**

(54) **WALL-MOUNT MAGAZINE RACK**

Primary Examiner — Michael A. Pratt

(71) Applicant: **Yixia Wang**, Guangdong (CN)

(57) **CLAIM**

(72) Inventor: **Yixia Wang**, Guangdong (CN)

The ornamental design for a wall-mount magazine rack, as shown and described.

(**) Term: **15 Years**

DESCRIPTION

(21) Appl. No.: **29/767,403**

(22) Filed: **Jan. 22, 2021**

(51) **LOC (13) Cl.** **22-01**

(52) **U.S. Cl.**
USPC **D22/108**

(58) **Field of Classification Search**
USPC D8/349, 354, 373, 380; D22/108–110,
D22/114, 199; D6/368, 552
See application file for complete search history.

FIG. 1 is a front and top perspective view of first embodiment of a wall-mount magazine rack, showing my new design;
FIG. 2 is a rear and bottom perspective view thereof;
FIG. 3 is a front elevation view thereof;
FIG. 4 is a rear elevation view thereof;
FIG. 5 is a left side elevation view thereof;
FIG. 6 is a right side elevation view thereof;
FIG. 7 is a top plan view thereof;
FIG. 8 is a bottom plan view thereof;
FIG. 9 is a front and top perspective view of second embodiment of the wall-mount magazine rack;
FIG. 10 is a rear and bottom perspective view thereof;
FIG. 11 is a front elevation view thereof;
FIG. 12 is a rear elevation view thereof;
FIG. 13 is a left side elevation view thereof;
FIG. 14 is a right side elevation view thereof;
FIG. 15 is a top plan view thereof; and,
FIG. 16 is a bottom plan view thereof.

(56) **References Cited**

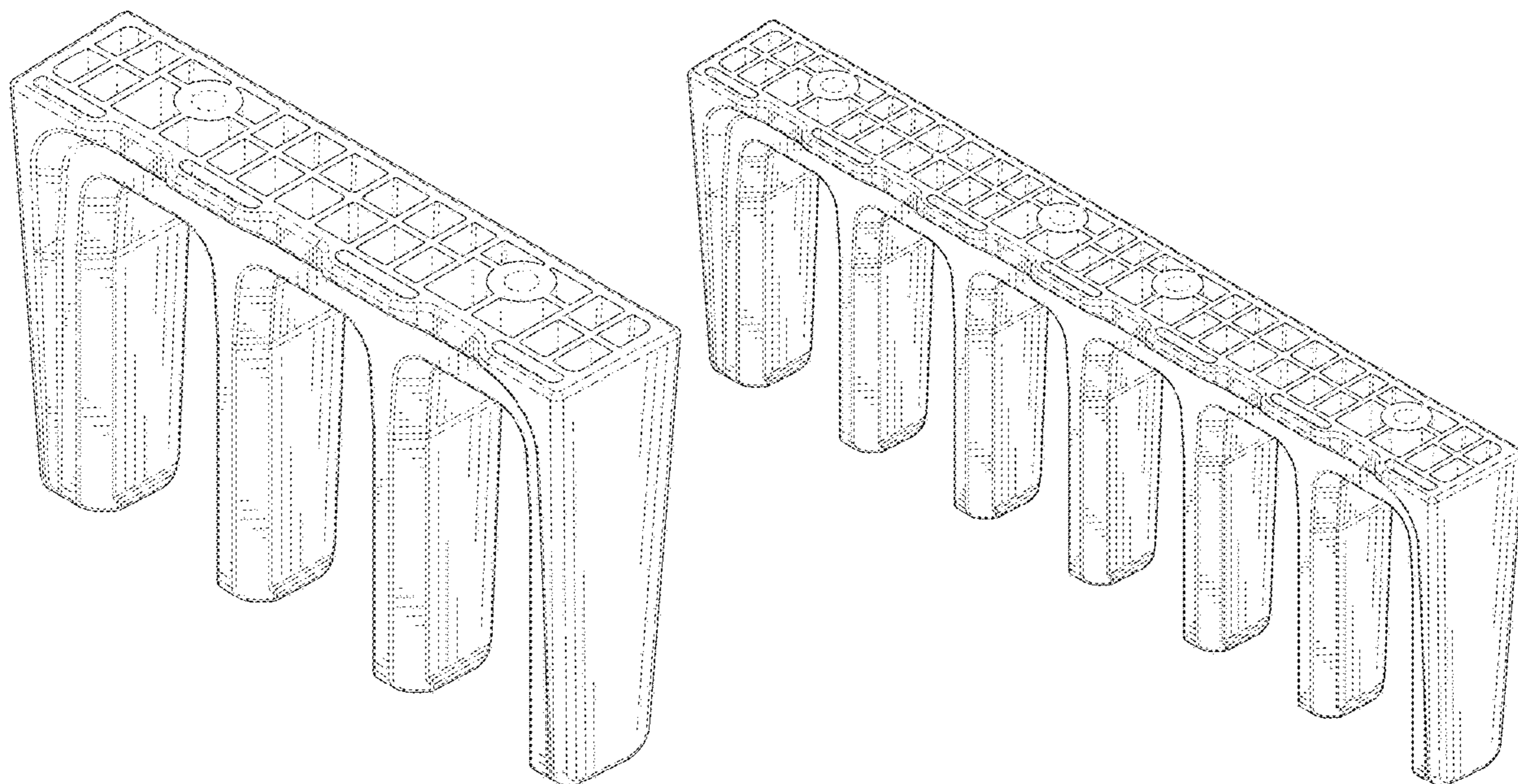
U.S. PATENT DOCUMENTS

D272,785 S *	2/1984	Rumbaugh	D6/552
D297,110 S *	8/1988	Zagorski	141/392
D321,126 S *	10/1991	Westphal	D8/380
D404,952 S *	2/1999	Bauer	D6/552
D697,999 S	1/2014	Firment		
D720,206 S *	12/2014	Brennan	D8/380
D756,684 S *	5/2016	Carr	D6/552
D794,433 S *	8/2017	McCoy	D8/380
D897,822 S *	10/2020	Kotze	D8/354

The broken lines in the figures illustrate portions of the wall-mount magazine rack that form no part of the claimed design.

* cited by examiner

1 Claim, 16 Drawing Sheets



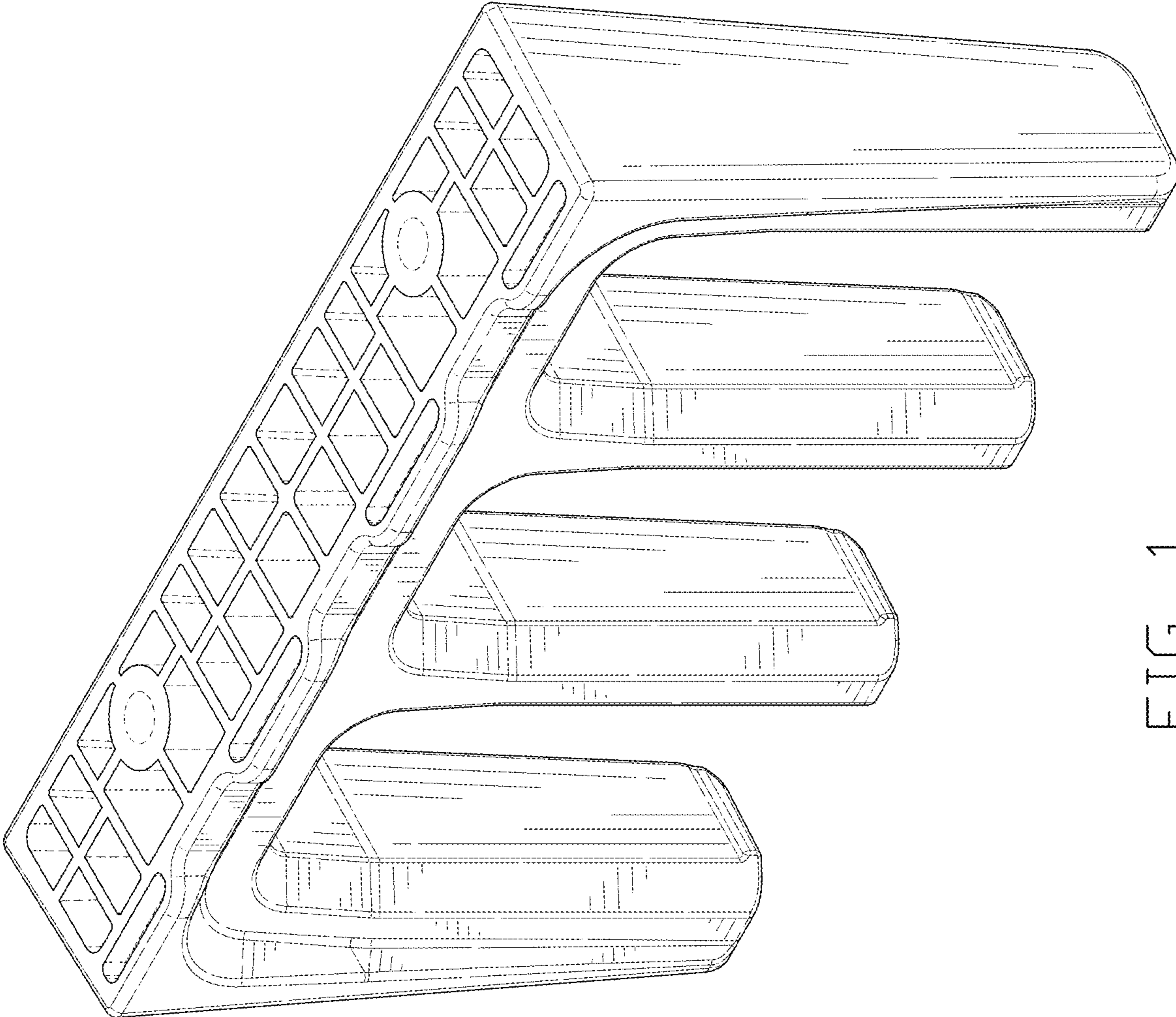


FIG. 1

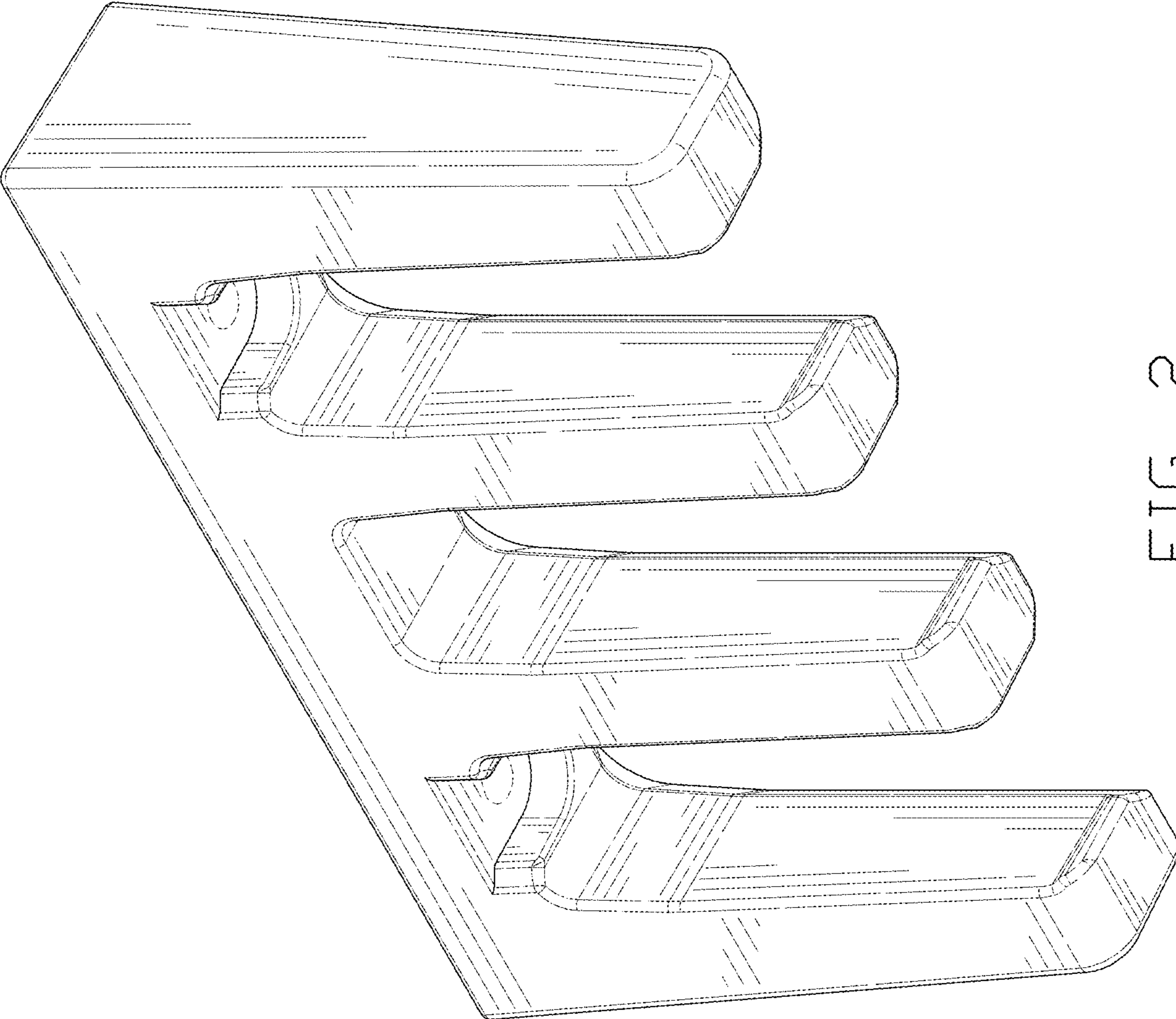


FIG. 2

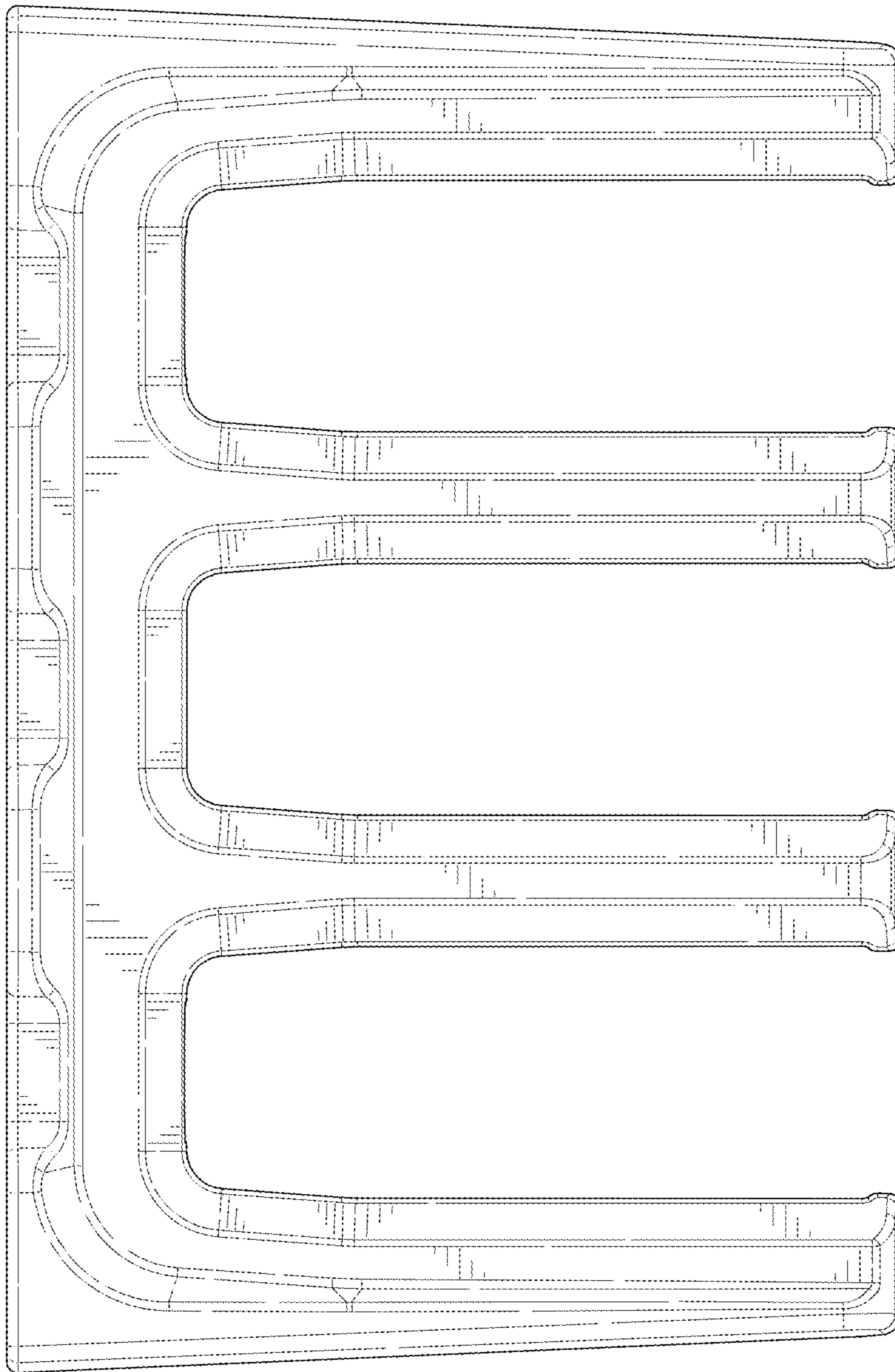


FIG. 3

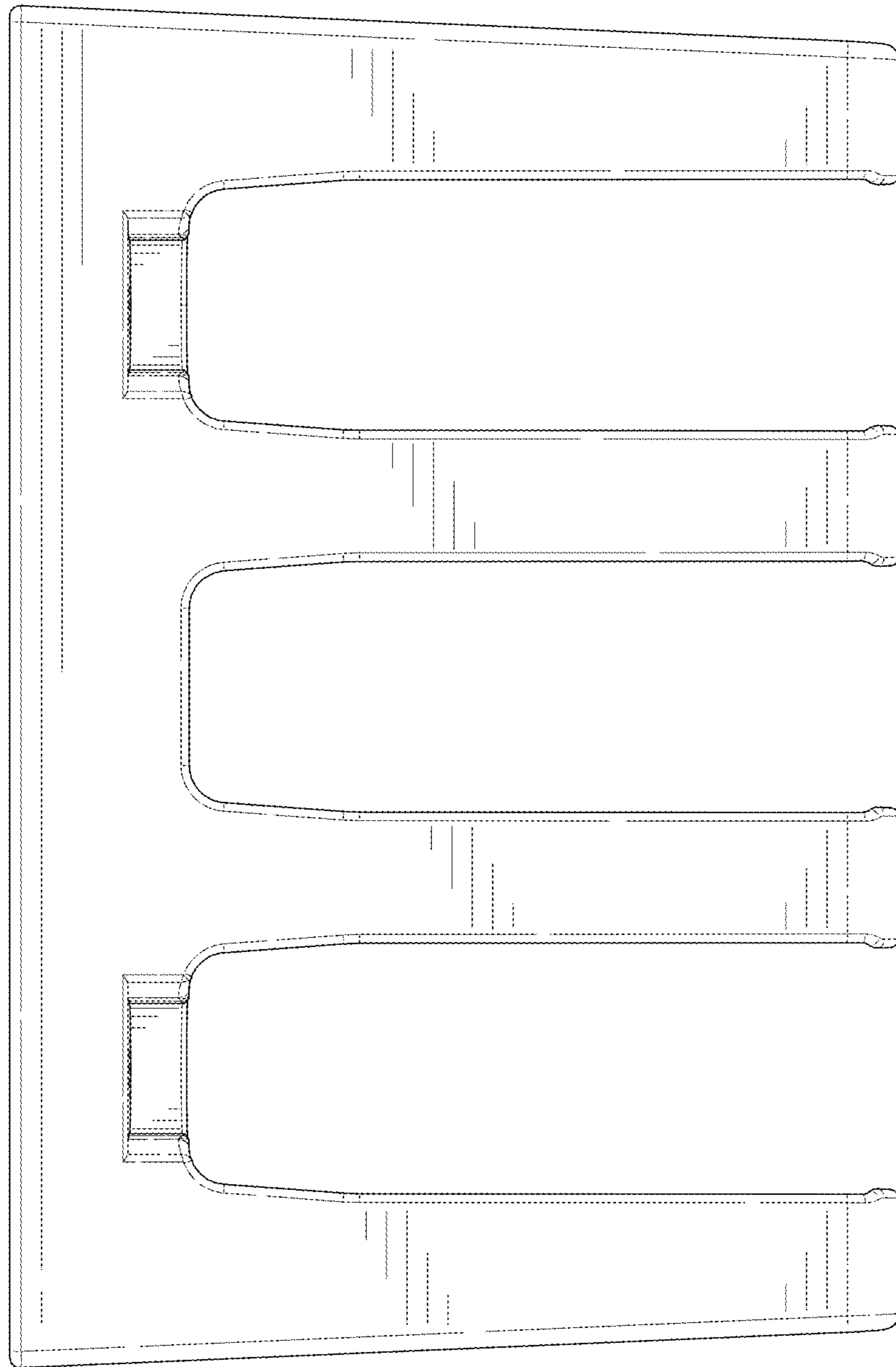


FIG. 4

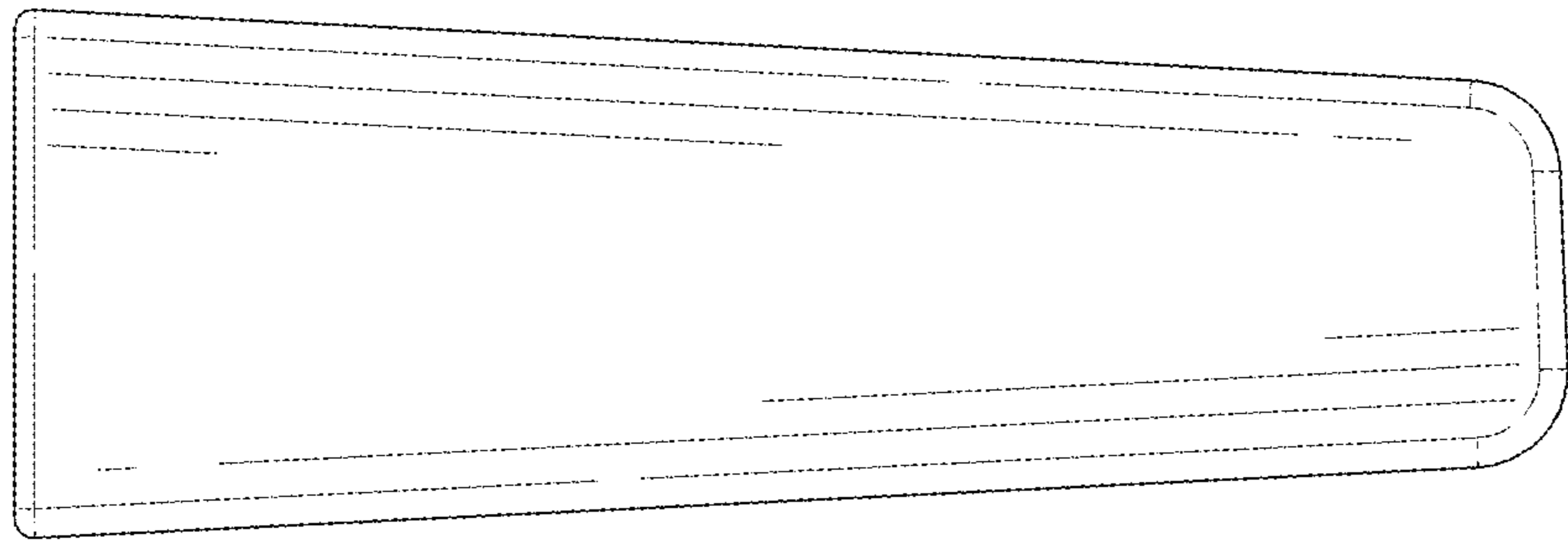


FIG. 5

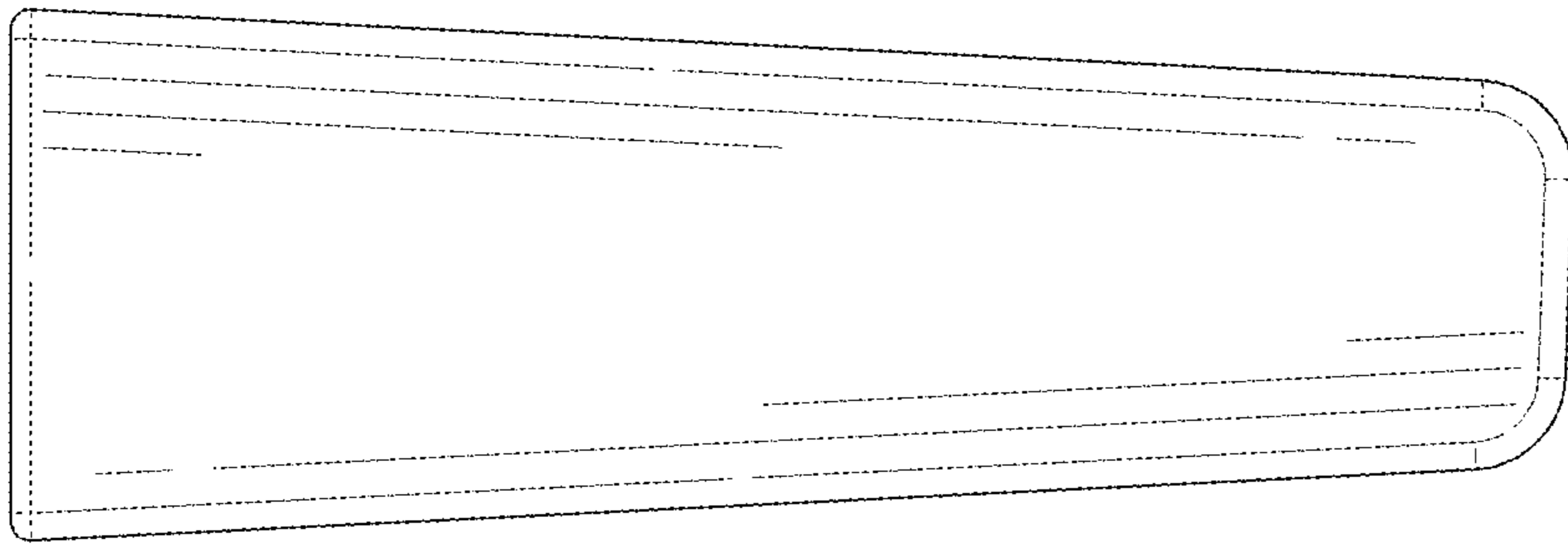


FIG. 6

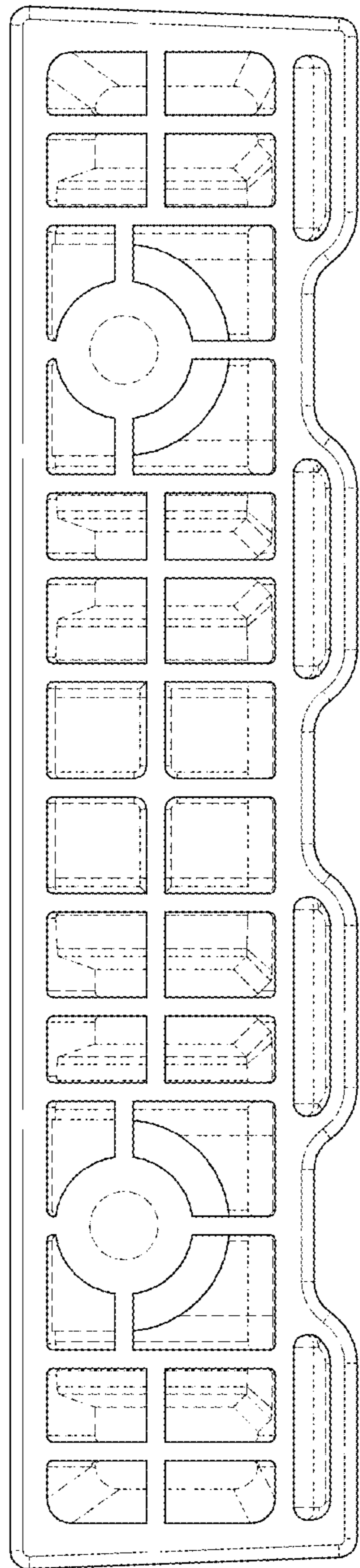


FIG. 7

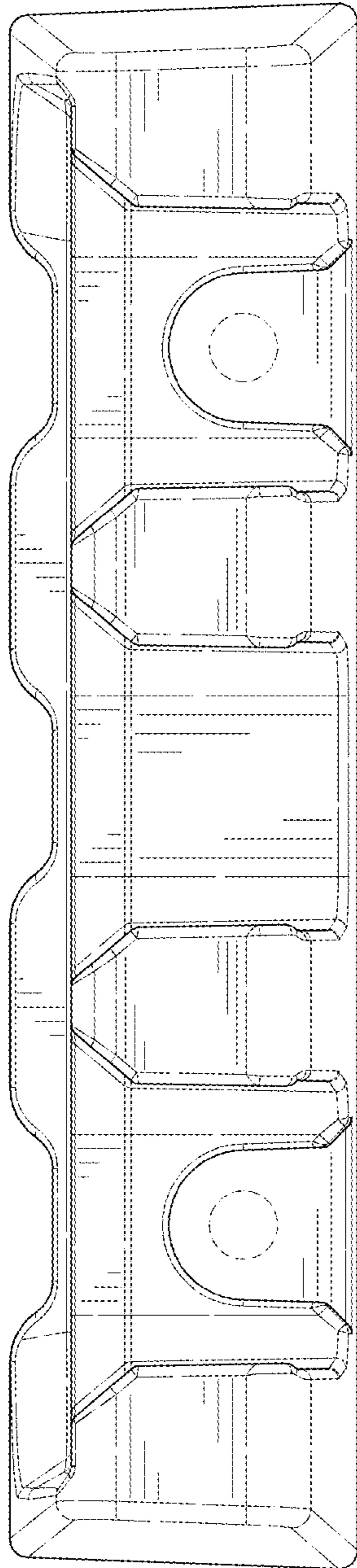


FIG. 8

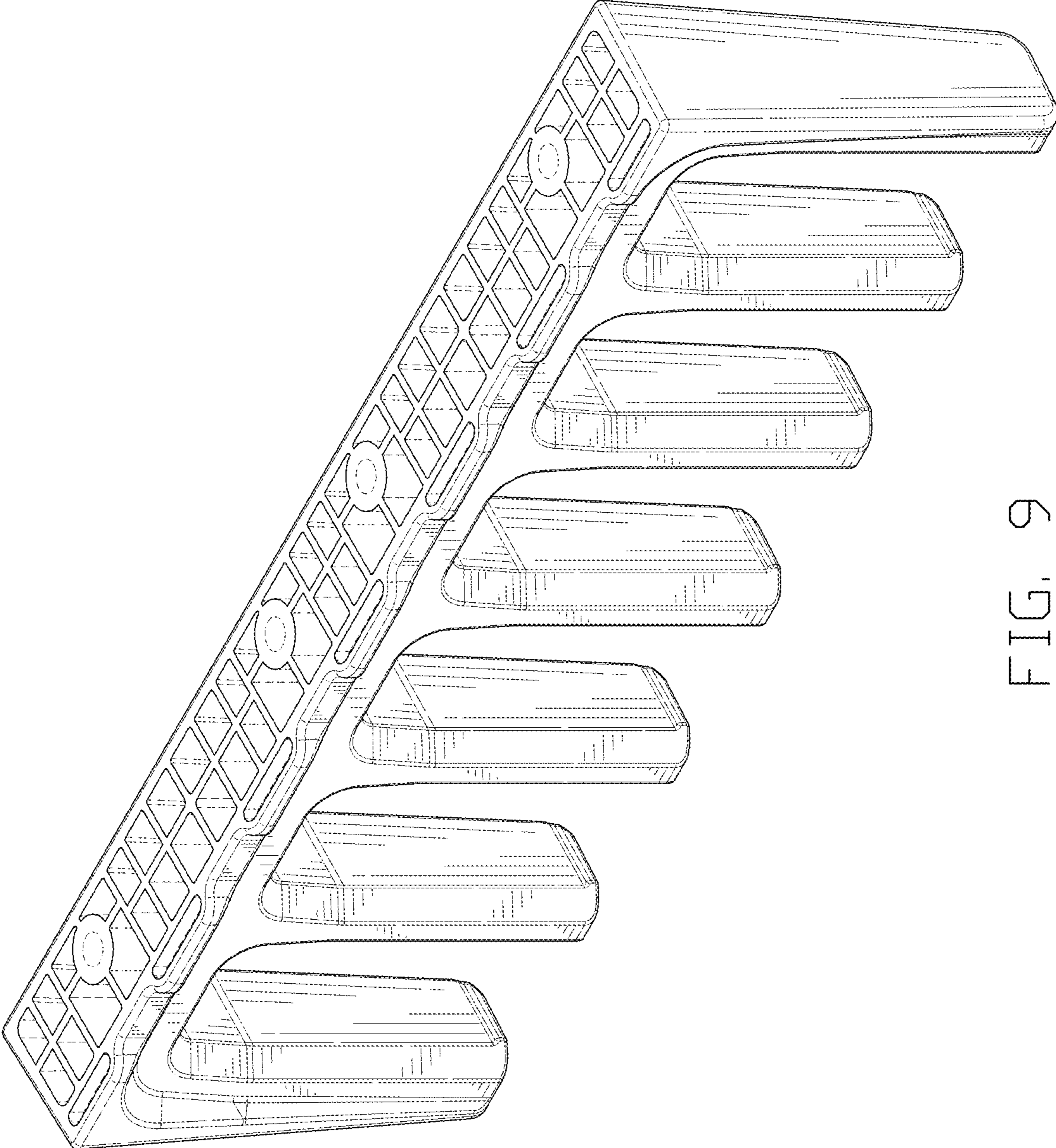


FIG. 9

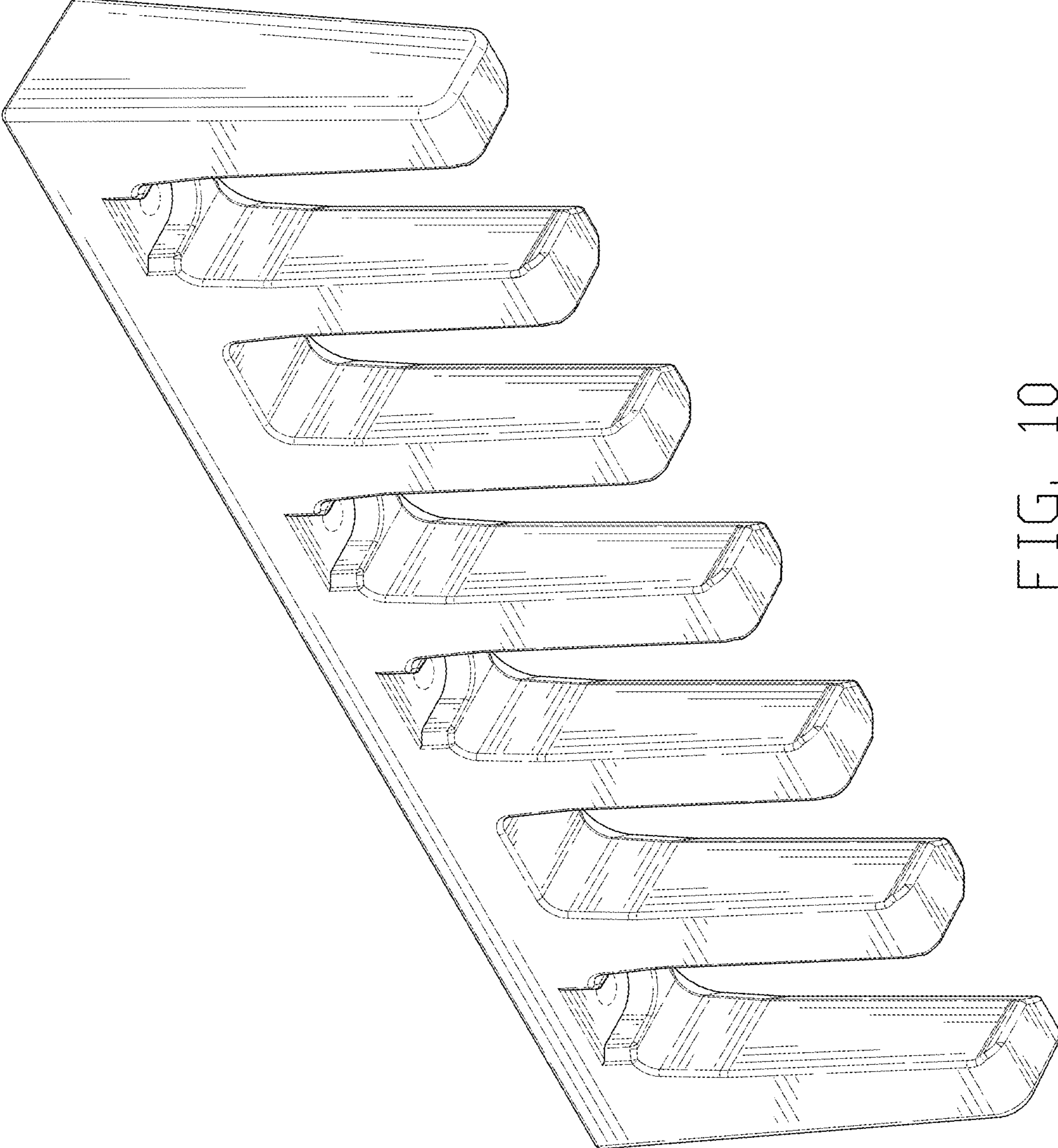


FIG. 10

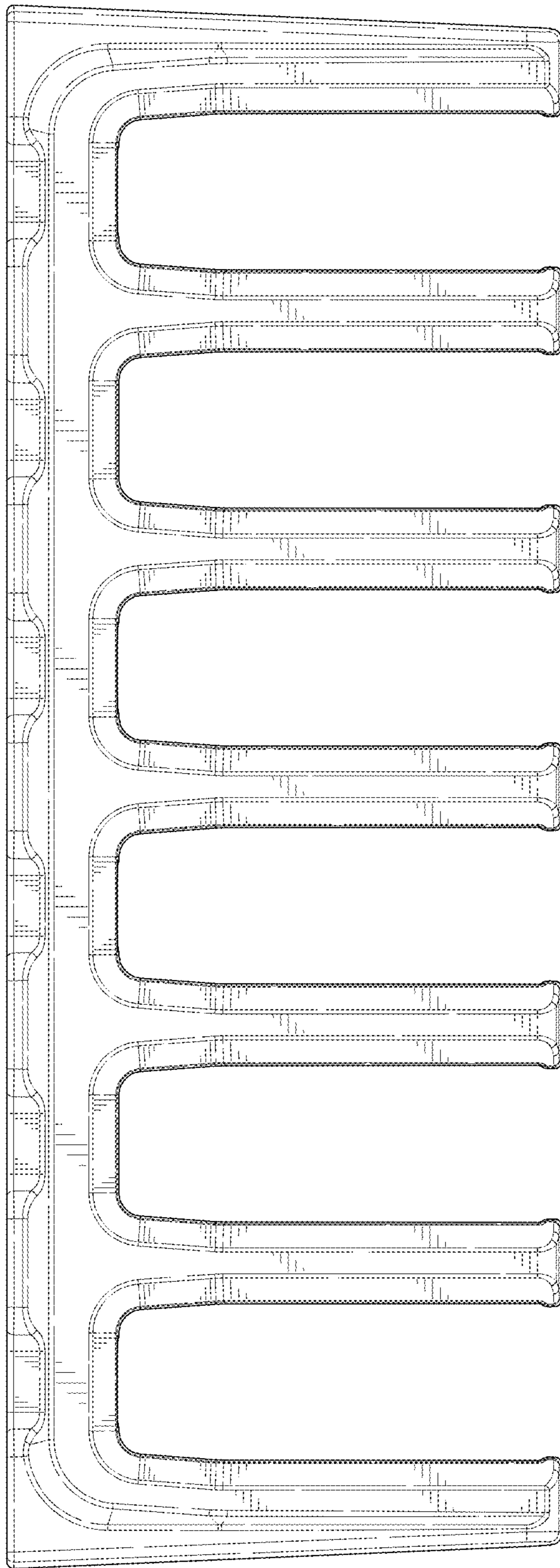


FIG. 11

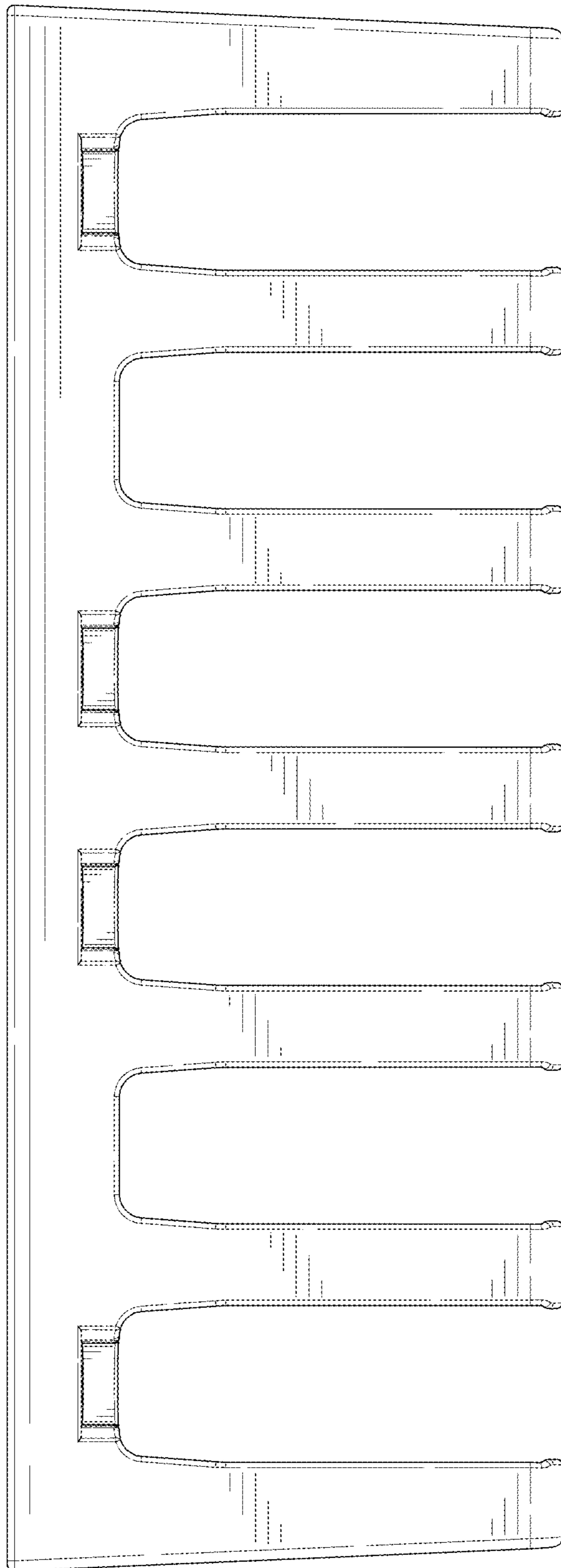


FIG. 12

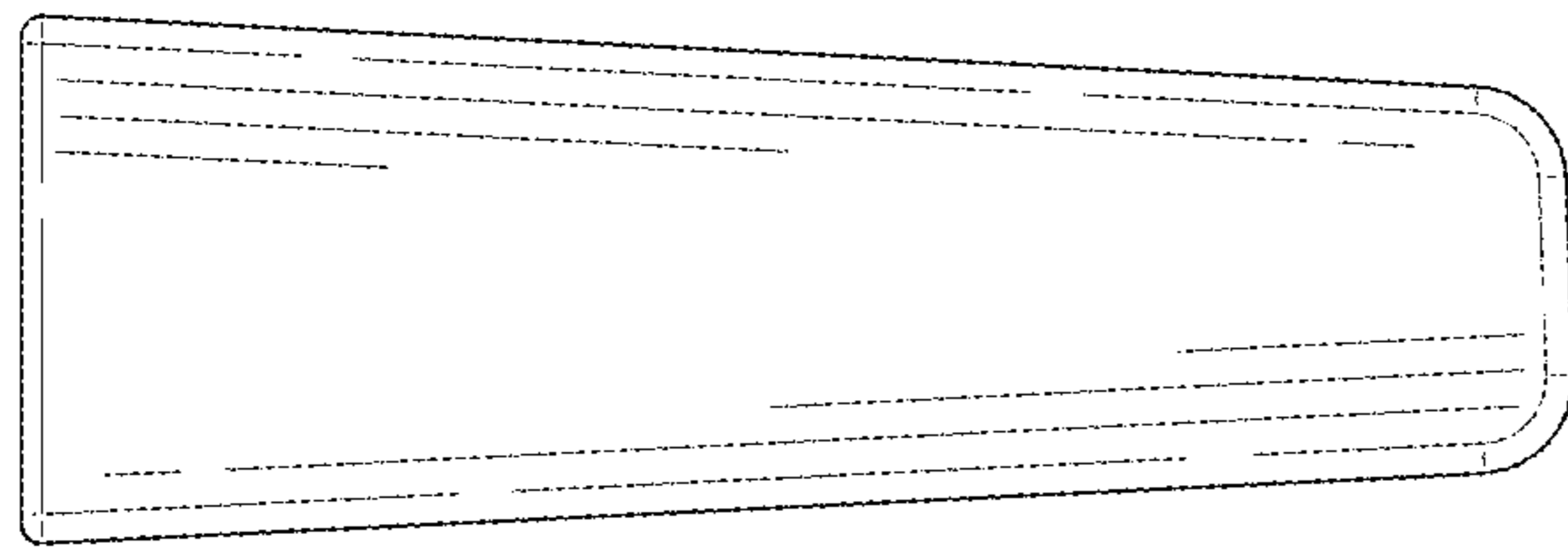


FIG. 13

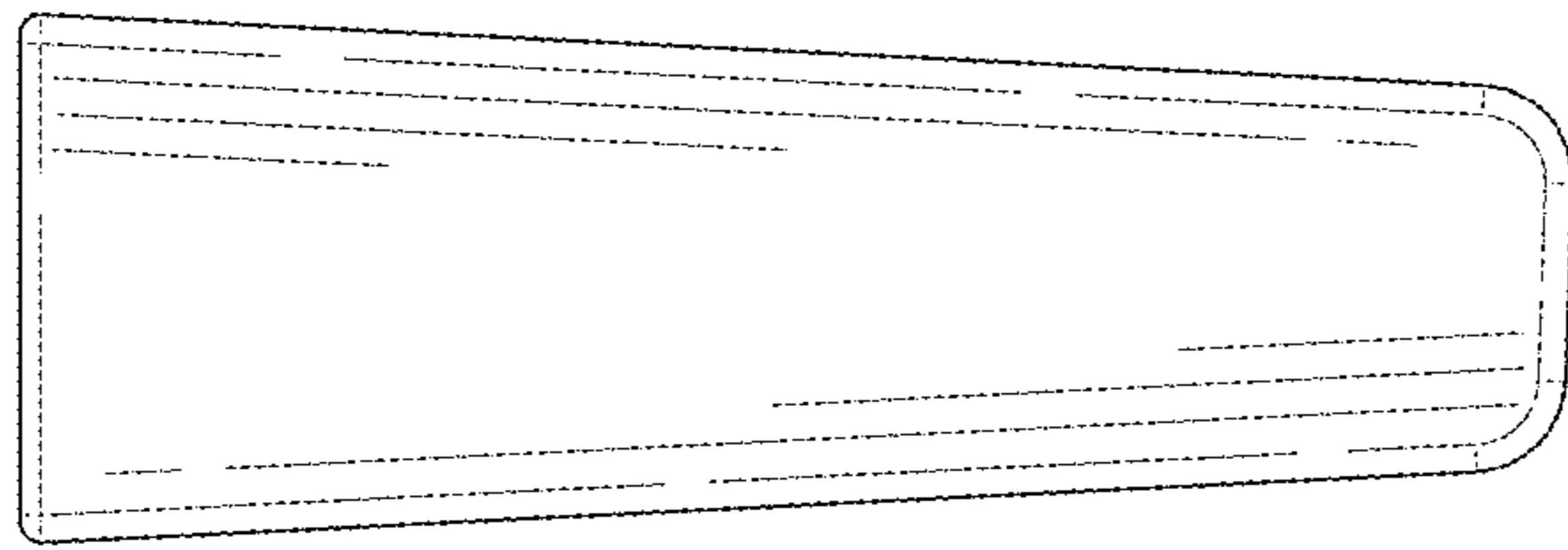


FIG. 14

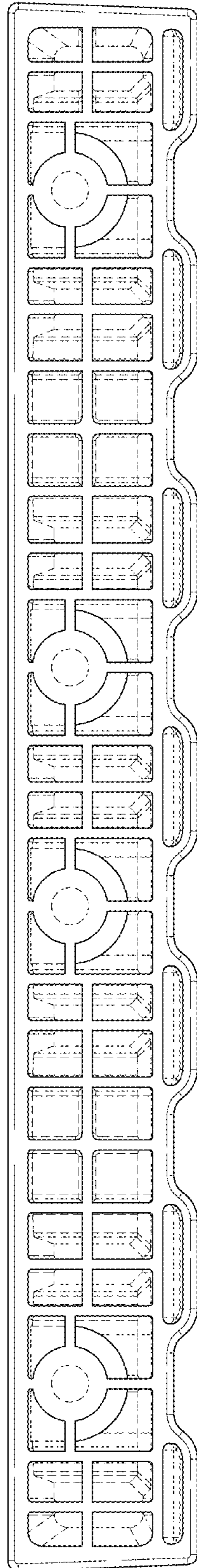


FIG. 15

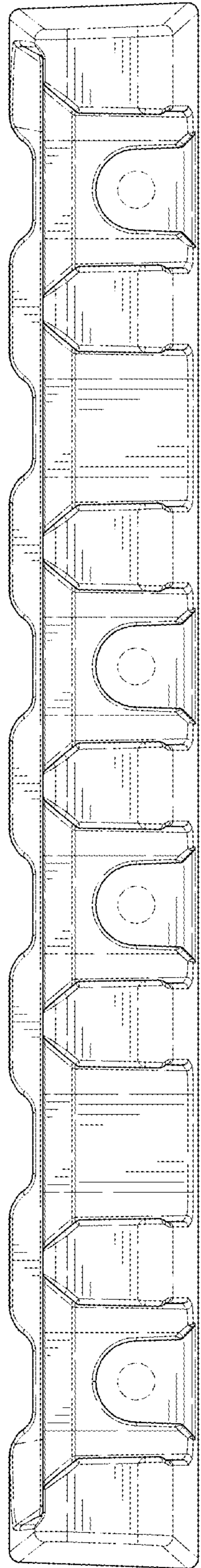


FIG. 16