



US00D923129S

(12) **United States Design Patent**
Williams

(10) **Patent No.:** **US D923,129 S**
(45) **Date of Patent:** **** Jun. 22, 2021**

(54) **FREE FLOATING HANDGUARD ANCHORING SYSTEM**

FOREIGN PATENT DOCUMENTS

(71) Applicant: **Springfield, Inc.**, Geneseo, IL (US)

CA 2612519 12/2006
CA 2616472 2/2007

(Continued)

(72) Inventor: **Charles David Williams**, Geneseo, IL (US)

OTHER PUBLICATIONS

(73) Assignee: **Springfield, Inc.**

US 8,561,336 B2, 10/2013, Gomez (withdrawn)

(**) Term: **15 Years**

(Continued)

(21) Appl. No.: **29/606,940**

Primary Examiner — Michael A. Pratt

(22) Filed: **Jun. 8, 2017**

(74) *Attorney, Agent, or Firm* — Woodard, Emhardt, Henry, Reeves & Wagner, LLP

(51) **LOC (13) Cl.** **22-01**

(52) **U.S. Cl.**
USPC **D22/108**

(57) **CLAIM**

The ornamental design for a free floating handguard anchoring system, as shown and described.

(58) **Field of Classification Search**
USPC D22/108; D21/572–576
CPC F41C 23/16; F41C 27/00
See application file for complete search history.

DESCRIPTION

FIG. 1 is a rear perspective view of a first embodiment of a free floating handguard anchoring system; FIG. 2 is a front perspective view thereof; FIG. 3 is a top view thereof; FIG. 4 is a bottom view thereof; FIG. 5 is a left side view thereof; FIG. 6 is a right side view thereof; FIG. 7 is a rear end view thereof; FIG. 8 is a front end view thereof; FIG. 9 is a rear perspective of a second embodiment of a free floating handguard anchoring system; FIG. 10 is a front perspective view thereof; FIG. 11 is a top view thereof; FIG. 12 is a bottom view thereof; FIG. 13 is a left side view thereof; FIG. 14 is a right side view thereof; FIG. 15 is a rear end view thereof; and, FIG. 16 is a front end view thereof.

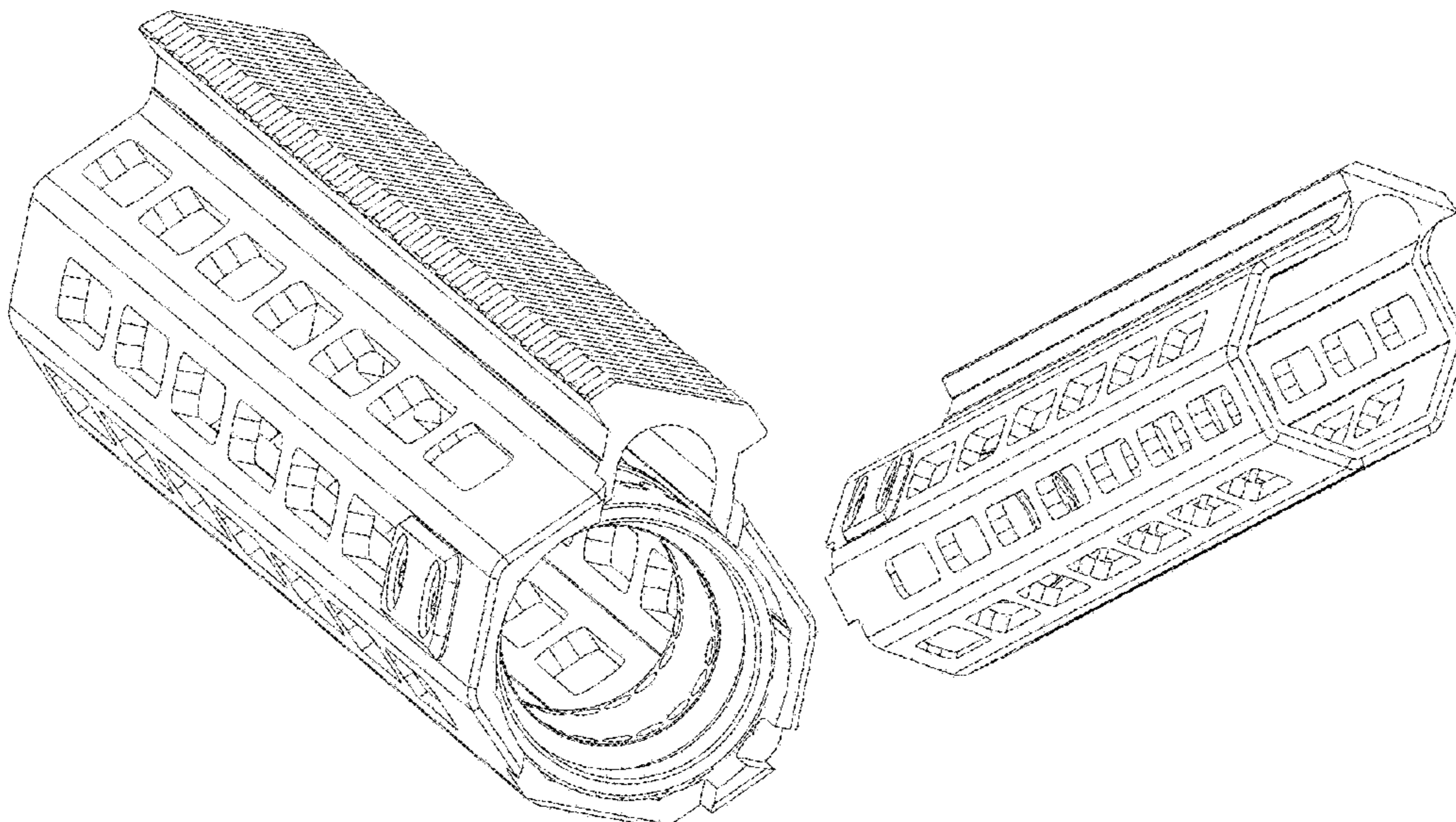
(56) **References Cited**

U.S. PATENT DOCUMENTS

282,194 A	7/1883	Howe
496,231 A	4/1893	Richard et al.
541,560 A	6/1895	Lyman
802,279 A	10/1905	Frommer
861,939 A	7/1907	Benet
1,065,341 A	6/1913	Browning
1,125,937 A	1/1915	Benet
1,143,170 A	6/1915	Browning
1,150,756 A	8/1915	Gocke
1,266,087 A	5/1918	Williams
1,474,209 A	11/1923	Reynolds
1,517,328 A	12/1924	Weiss
2,364,487 A	12/1944	Swartz
2,779,119 A	1/1957	Fawcett
2,902,933 A	9/1959	Moldofsky
2,951,424 A	9/1960	Stoner
3,075,314 A	3/1963	Bakker

(Continued)

1 Claim, 6 Drawing Sheets



(56)

References Cited

U.S. PATENT DOCUMENTS

3,198,076	A	8/1965	Stoner	8,046,949	B1	11/2011	Daniel
3,543,429	A	12/1970	Bendele	8,051,595	B2	11/2011	Hochstrate
3,721,031	A	3/1973	Fletcher	8,069,604	B2	12/2011	LaRue
3,793,922	A	2/1974	Frielich	8,087,194	B1	1/2012	Vuksanovich
4,090,305	A	5/1978	Cassidy	8,141,285	B2	3/2012	Brown
4,304,061	A	12/1981	Brouthers	8,141,287	B2	3/2012	Dubois
4,742,636	A	5/1988	Swan	8,141,289	B2	3/2012	Gomez
4,765,224	A	8/1988	Morris	8,201,353	B1	6/2012	Swan
D30,016	S	3/1989	Baldus	8,205,373	B1	6/2012	Ubl
4,841,657	A	6/1989	Mossberg	8,230,633	B1	7/2012	Sisk
4,845,871	A	7/1989	Swan	8,230,634	B1	7/2012	Davies
5,142,806	A	9/1992	Swan	8,234,809	B2	8/2012	Daniel
5,198,600	A	3/1993	E'Nama	8,240,074	B2	8/2012	Vuksanovich
5,225,615	A	7/1993	Talbot	8,276,303	B2	10/2012	Kapusta
5,276,988	A	1/1994	Swan	8,276,304	B2	10/2012	Samson
5,343,650	A	9/1994	Swan	8,307,751	B2	11/2012	Adolphsen
5,412,895	A	5/1995	Krieger	8,316,574	B1	11/2012	Swan
5,553,329	A	7/1996	Swan	8,336,243	B2	12/2012	Langevin
RE35,381	E	11/1996	Rose	8,347,540	B2	1/2013	Sirois
5,590,585	A	1/1997	Mooney	8,359,779	B2	1/2013	Daniel
5,595,602	A	1/1997	Harlan	8,397,416	B2	3/2013	Laney
5,661,255	A	8/1997	Webb	8,429,845	B1	4/2013	Swan
5,729,927	A	3/1998	Shaver	8,448,367	B2	5/2013	Samson
5,740,626	A	4/1998	Schuetz	8,453,364	B2	6/2013	Kucynko
5,826,363	A	10/1998	Olson	8,464,457	B2	6/2013	Troy
6,044,748	A	4/2000	Westrom	8,468,929	B2	6/2013	Larson
6,293,040	B1	9/2001	Luth	8,528,246	B2	9/2013	Telles
6,295,751	B1	10/2001	Piwonski	8,561,335	B2	10/2013	Brown
6,321,477	B1	11/2001	Watson, Jr.	8,578,642	B2	11/2013	Troy
6,345,464	B1	2/2002	Kim	8,595,970	B2	12/2013	Picciotta
6,418,655	B1	7/2002	Kay	8,601,734	B1	12/2013	Hopkins
6,490,822	B1	12/2002	Swan	8,607,490	B1	12/2013	Zinsner
6,499,245	B1	12/2002	Swan	8,806,792	B2	1/2014	Yan
6,508,027	B1	1/2003	Kim	8,640,372	B2	2/2014	Hochstrate
6,606,812	B1	8/2003	Gwinn, Jr.	8,667,882	B1	3/2014	Larson
6,618,976	B1	9/2003	Swan	8,667,883	B1	3/2014	Larson
6,634,128	B1	10/2003	Vastag	8,689,477	B2	4/2014	Gomez
6,671,990	B1	1/2004	Booth	8,689,478	B2	4/2014	Patel
6,694,660	B1	2/2004	Davies	8,707,850	B1	4/2014	Davies
6,769,209	B2	8/2004	Mendoza-Orozco	8,713,838	B2	5/2014	Ubl
6,848,351	B1	2/2005	Davies	8,726,557	B2	5/2014	Stone
6,854,206	B2	2/2005	Oz	8,726,558	B1	5/2014	Nason
6,860,053	B2	3/2005	Christiansen	8,726,559	B1	5/2014	Mueller
6,895,708	B2	5/2005	Kim	8,739,448	B2	6/2014	Kimmel
6,959,509	B2	11/2005	Vais	8,739,449	B2	6/2014	Patel
7,059,076	B2	6/2006	Stoner	8,769,853	B1	7/2014	LaRue
RE39,465	E	1/2007	Swan	8,776,420	B2	7/2014	Langevin
7,204,052	B2	4/2007	Swan	8,782,943	B2	7/2014	Jarboe
7,216,451	B1	5/2007	Troy	8,783,160	B2	7/2014	Hochstrate
RE40,216	E	4/2008	Swan	8,806,793	B2	8/2014	Daniel
7,356,962	B2	4/2008	Swan	8,819,980	B2	9/2014	Geissele
7,363,741	B2	4/2008	DeSomma	8,839,545	B1	9/2014	Gangl
7,458,179	B2	12/2008	Swan	8,844,186	B2	9/2014	LeClair
7,464,496	B1	12/2008	Davies	RE45,185	E	10/2014	Davies
7,493,721	B2	2/2009	Swan	8,863,426	B1	10/2014	Zinsner
7,523,580	B1	4/2009	Tankersley	8,904,691	B1	12/2014	Kincel
7,584,567	B1	9/2009	DeSomma	8,919,025	B2	12/2014	Kucynko
7,640,689	B2	1/2010	Fluhr	8,931,196	B1	1/2015	LaRue
7,676,975	B2	3/2010	Phillips	8,985,007	B2	3/2015	Larson
7,707,762	B1	5/2010	Swan	8,991,092	B2	3/2015	Shipman
7,716,865	B2	5/2010	Daniel	9,003,686	B2	4/2015	Brown
7,757,422	B1	7/2010	Swan	9,010,009	B2	4/2015	Buxton
7,757,423	B1	7/2010	Swan	9,032,659	B1	5/2015	Duneman
7,775,150	B2	8/2010	Hochstrate	9,140,506	B2	9/2015	Gomez
7,770,317	B1	9/2010	Tankersley	9,140,520	B2	9/2015	Lopes
7,793,452	B1	9/2010	Samson	9,157,697	B2	10/2015	LeClair
7,827,722	B1	11/2010	Davies	9,200,867	B1	12/2015	Swan
7,905,041	B1	3/2011	Davies	9,212,865	B2	12/2015	Dubreuil
D637,684	S	5/2011	Kimmel	9,228,799	B2	1/2016	Kucynko
7,941,959	B1	5/2011	Swan	9,234,717	B2	1/2016	Jarboe
7,963,203	B1	6/2011	Davies	9,279,632	B2	3/2016	Hochstrate
8,028,456	B2	10/2011	Peterson	9,279,638	B2	3/2016	Adair
8,028,460	B2	10/2011	Williams	9,279,639	B2	3/2016	Hines
8,037,633	B1	10/2011	Troy	9,297,609	B2	3/2016	Burt
8,037,806	B2	10/2011	Davies	9,303,949	B1	4/2016	Oglesby
				9,322,609	B2	4/2016	Davies
				9,335,117	B2	5/2016	Miller
				9,389,043	B1	7/2016	Zhang
				9,453,694	B1	9/2016	Storch

(56)

References Cited

U.S. PATENT DOCUMENTS

9,464,864 B2 10/2016 Merlino et al.
 9,464,865 B2 10/2016 Shea et al.
 9,476,672 B2 10/2016 Wells et al.
 9,557,137 B2 1/2017 Dzwill
 9,964,380 B1 * 5/2018 Oglesby F41C 27/00
 10,345,074 B1 * 7/2019 Zamlinskiy F41C 23/16
 10,532,447 B2 * 1/2020 Hamby F41A 21/48
 2002/0116857 A1 8/2002 Wonisch
 2006/0162217 A1 7/2006 Longueira
 2006/0260169 A1 11/2006 Samson
 2007/0017139 A1 1/2007 LaRue
 2007/0033851 A1 2/2007 Hochstrate
 2007/0199435 A1 8/2007 Hochstrate
 2007/0261285 A1 11/2007 Troy
 2008/0092422 A1 4/2008 Daniel
 2009/0013579 A1 1/2009 Fluhr
 2009/0044439 A1 2/2009 Phillips
 2010/0095575 A1 4/2010 Swan
 2010/0126054 A1 5/2010 Daniel
 2010/0175293 A1 7/2010 Hines
 2010/0212201 A1 8/2010 Kincel
 2010/0269392 A1 10/2010 Swan
 2010/0282066 A1 11/2010 Tankersley
 2010/0287809 A1 11/2010 Williams
 2010/0300277 A1 12/2010 Hochstrate
 2010/0319231 A1 12/2010 Stone
 2011/0000119 A1 1/2011 Desomma
 2011/0016762 A1 1/2011 Davies
 2011/0061281 A1 3/2011 Kapusta
 2011/0099869 A1 5/2011 Bentley
 2011/0119981 A1 5/2011 LaRue
 2011/0126443 A1 6/2011 Sirois
 2011/0167701 A1 7/2011 Williams
 2011/0192066 A1 8/2011 Kimmel
 2011/0214327 A1 9/2011 DeSomma
 2011/0239513 A1 10/2011 Sandman
 2011/0247254 A1 10/2011 Barnes
 2011/0252625 A1 10/2011 Daniel
 2011/0303082 A1 12/2011 Hochstrate
 2012/0005936 A1 1/2012 Daniel
 2012/0036756 A1 2/2012 Brown
 2012/0042557 A1 2/2012 Gomez
 2012/0073177 A1 3/2012 Laney
 2012/0096755 A1 4/2012 Griffin
 2012/0117845 A1 5/2012 DeSomma
 2012/0124880 A1 5/2012 LeClair
 2012/0131834 A1 5/2012 Barrett
 2012/0131835 A1 5/2012 Barrett
 2012/0132068 A1 5/2012 Kucynko
 2012/0137563 A1 6/2012 Ubl
 2012/0186123 A1 7/2012 Troy
 2012/0190358 A1 7/2012 Samson
 2012/0216439 A1 8/2012 Barrett
 2012/0285317 A1 11/2012 Davies
 2012/0317859 A1 12/2012 Brown
 2012/0324775 A1 12/2012 Troy
 2013/0019513 A1 1/2013 Telles
 2013/0047832 A1 2/2013 Hochstrate
 2013/0055613 A1 3/2013 Gomez
 2013/0097910 A1 4/2013 Daniel
 2013/0180151 A1 7/2013 Moore
 2013/0205637 A1 8/2013 Patel
 2013/0263732 A1 10/2013 Kucynko
 2014/0000142 A1 1/2014 Patel
 2014/0026459 A1 1/2014 Yan
 2014/0033588 A1 2/2014 Laney
 2014/0033590 A1 2/2014 Gomez
 2014/0068987 A1 3/2014 Burt
 2014/0075817 A1 3/2014 Gomez
 2014/0076146 A1 * 3/2014 Gomez F41C 23/16
 89/191.01
 2014/0076147 A1 3/2014 LaRue
 2014/0076148 A1 3/2014 LaRue
 2014/0076152 A1 3/2014 Hochstrate
 2014/0115938 A1 5/2014 Jarboe

2014/0130390 A1 5/2014 Giessele
 2014/0144059 A1 5/2014 Giessele
 2014/0345179 A1 11/2014 Adair
 2014/0373419 A1 12/2014 LeClair
 2015/0007477 A1 1/2015 Langevin
 2015/0007478 A1 1/2015 Barrett
 2015/0007712 A1 1/2015 Larson
 2015/0135572 A1 5/2015 Davies
 2015/0135576 A1 5/2015 Wells
 2015/0143730 A1 5/2015 Laney
 2015/0168092 A1 6/2015 Stone
 2015/0168095 A1 6/2015 Dubreuil
 2015/0168096 A1 6/2015 Miller
 2015/0241166 A1 8/2015 Hines
 2015/0247695 A1 9/2015 Jarboe
 2015/0247699 A1 9/2015 Davies
 2015/0247700 A1 9/2015 Merlino
 2015/0316347 A1 11/2015 Shea
 2015/0369555 A1 12/2015 Daniel
 2016/0010946 A1 1/2016 Gibbens
 2016/0033225 A1 2/2016 Selvetti
 2016/0054096 A1 2/2016 Dzwill
 2016/0084596 A1 3/2016 Gomez
 2016/0091276 A1 3/2016 Miller
 2016/0131447 A1 5/2016 Hochstrate
 2016/0153744 A1 6/2016 Teetzel
 2016/0169617 A1 6/2016 Daley, Jr.
 2016/0178316 A1 6/2016 Miller
 2016/0195360 A1 7/2016 Davies
 2016/0209166 A1 7/2016 Larson, Jr.
 2016/0282069 A1 9/2016 Storch
 2016/0282083 A1 9/2016 Storch
 2016/0290761 A1 10/2016 Cook, Jr.
 2018/0180370 A1 * 6/2018 Zheng F41A 5/20
 2018/0306551 A1 * 10/2018 Reid F41A 3/66
 2018/0356181 A1 * 12/2018 Williams F41G 11/003
 2020/0240737 A1 * 7/2020 Wheeler F41A 21/38

FOREIGN PATENT DOCUMENTS

CA 2625261 5/2007
 CA 2765149 12/2010
 CA 2889273 5/2014
 CA 2877197 7/2015
 CZ 303588 B6 12/2012
 DE 102010023466 12/2011
 DE 102013008241 11/2014
 DE 102013208770 11/2014
 EP 1998134 12/2008
 EP 2141441 1/2010
 EP 2191224 6/2010
 EP 1949014 12/2011
 EP 2634522 9/2013
 EP 2446214 1/2014
 EP 2894431 7/2015
 EP 2896927 7/2015
 GB 891448 3/1962
 KR 20080034451 4/2008
 KR 20080034454 4/2008
 KR 20080036988 4/2008
 KR 20080067345 7/2008
 KR 20130076902 7/2013
 KR 1358970 1/2014
 KR 20140056391 5/2014
 KR 1564570 10/2015
 WO WO 2005/047801 5/2005
 WO WO 2006/103062 10/2006
 WO WO 2006/138106 12/2006
 WO WO 2008/060310 5/2008
 WO WO 2008/103193 8/2008
 WO WO 2009/082520 7/2009
 WO WO 2009/131721 10/2009
 WO WO 2010/0151552 12/2010
 WO WO 2013/010515 1/2013
 WO WO 2014/031593 2/2014
 WO WO 2014/066759 5/2014
 WO WO 2016/028908 2/2016
 WO WO 2016/089863 6/2016

(56)

References Cited

FOREIGN PATENT DOCUMENTS

OTHER PUBLICATIONS

Abstract, Bibliographic Data for CZ303588.
Abstract, Bibliographic Data for KR20080034451.
Abstract, Bibliographic Data for KR20080034454.
Abstract, Bibliographic Data for KR20080036988.
Abstract, Bibliographic Data for KR20080067345.
Abstract, Bibliographic Data for US 2010/319231 corresponding to EP2446214.
Abstract, Bibliographic Data for WO 2009/082520 corresponding to EP2191224.
Abstract, Bibliographic Data for WO2006/103062.
Abstract, Bibliographic Data for WO2006/138106 corresponding to KR20130076902.
Abstract, Bibliographic Data for WO2006/138106 corresponding to KR20130076902.
Abstract, Bibliographic Data for WO2006/138106 corresponding to KR20140056391.

Aero Precision, MrE1 Handguard Barrel Nut and AR15 Bar Barrel Nut, <https://aeroprecisionusa.com/catalogsearch/result/?q=M5E1+Handguard+Barrel+Nut>.
Daniel Defense Bolt-Up Plate, <https://danieldefense.com/catalogsearch/result/?q=bolt-up+plate>.
English Translation of Abstract for DE102005054917.
English Translation of Abstract for DE102010023466.
English Translation of Abstract for DE102013008241.
English Translation of Abstract for DE102013208770.
Noveske NSR Barrel Nut, Noveske Rifleworks, L.L.C., <https://www.noveske.com/search?type=products&q=NSR>.
Parallax Tactical, FFSSR Rail System, <https://parallaxtactical.com/search?q=FFSSR>.
Seekins Precision Rail Mountain System in which a rail is attached using screws, <http://www.seekinsprecision.com/parts-and-accessories/handguards.html>.
Wilson Combat, Tactical Rail Interface (T.R.I.M.), <http://shopwilsoncombat.com/TRIM-Tactical-Rail-Interface-Modular-126/productinfo/TR-TRIM-12/>.

* cited by examiner

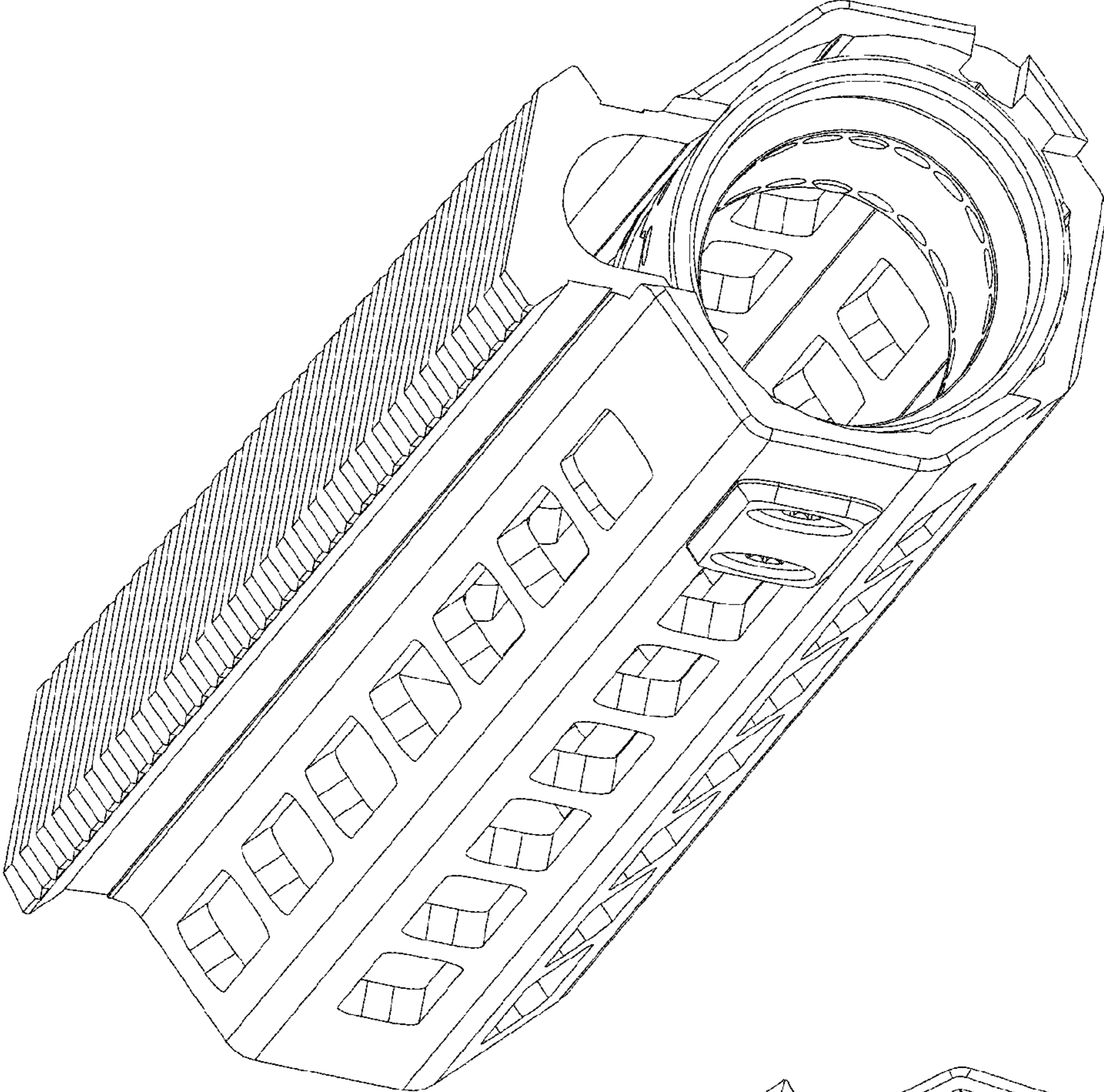


Fig. 1

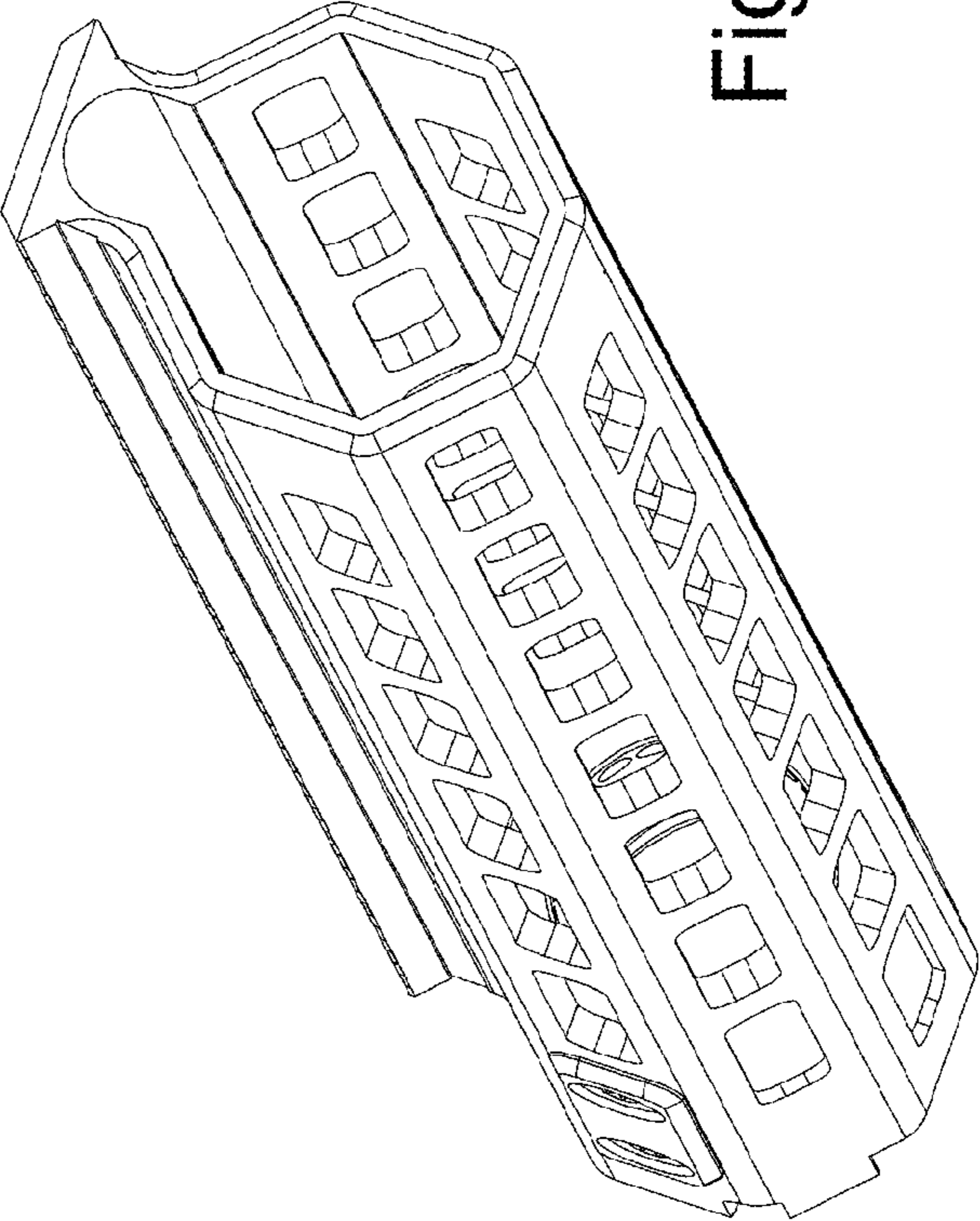


Fig. 2

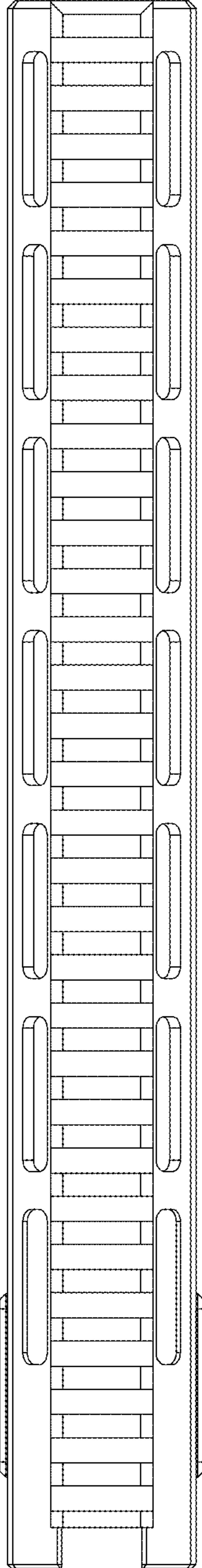


Fig. 3

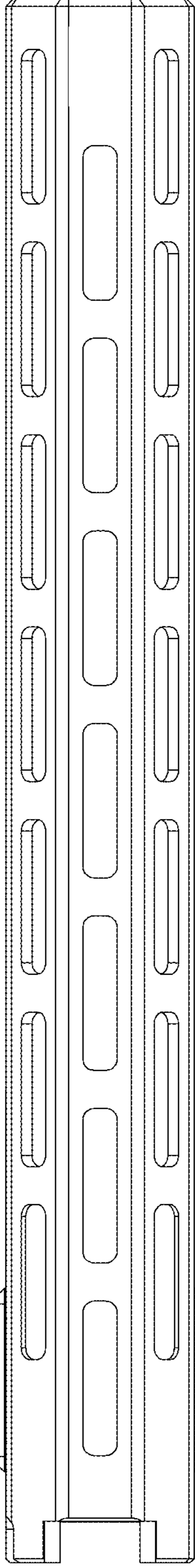


Fig. 4

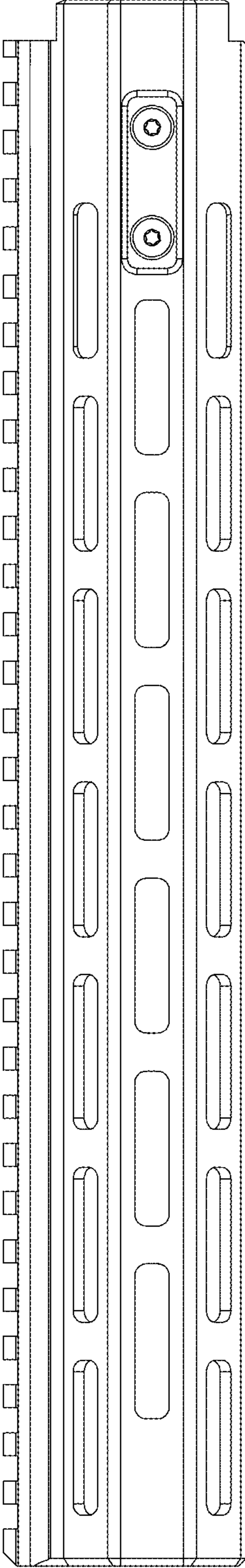


Fig. 5

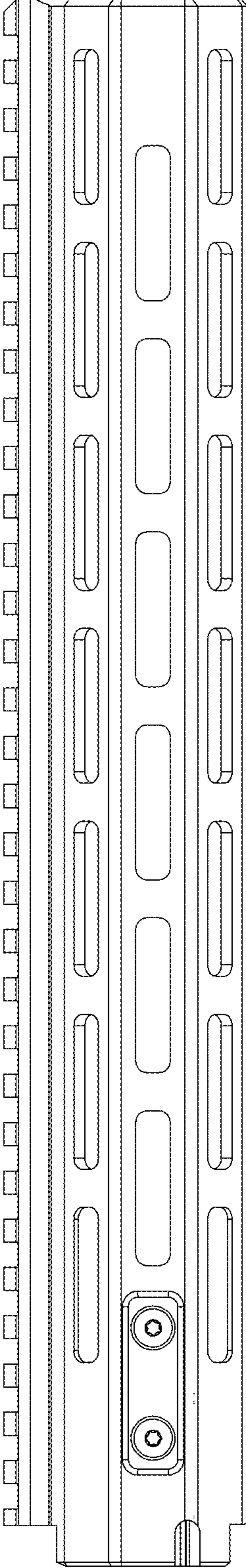


Fig. 6

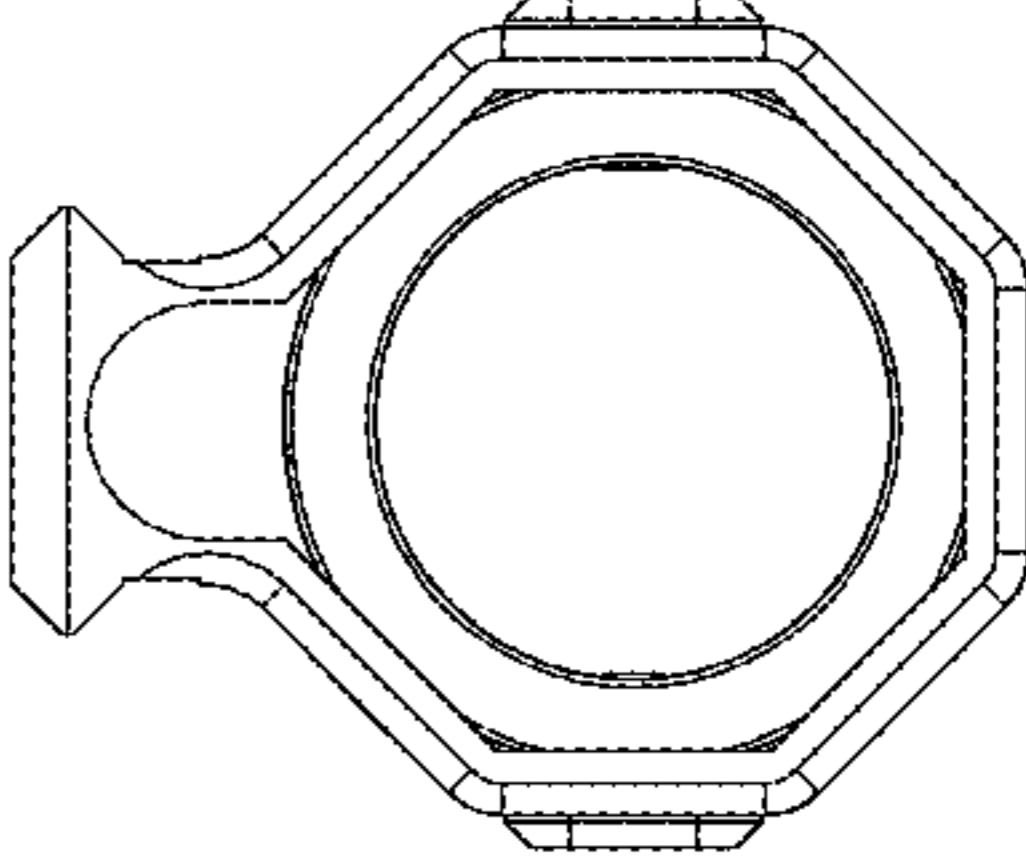


Fig. 8

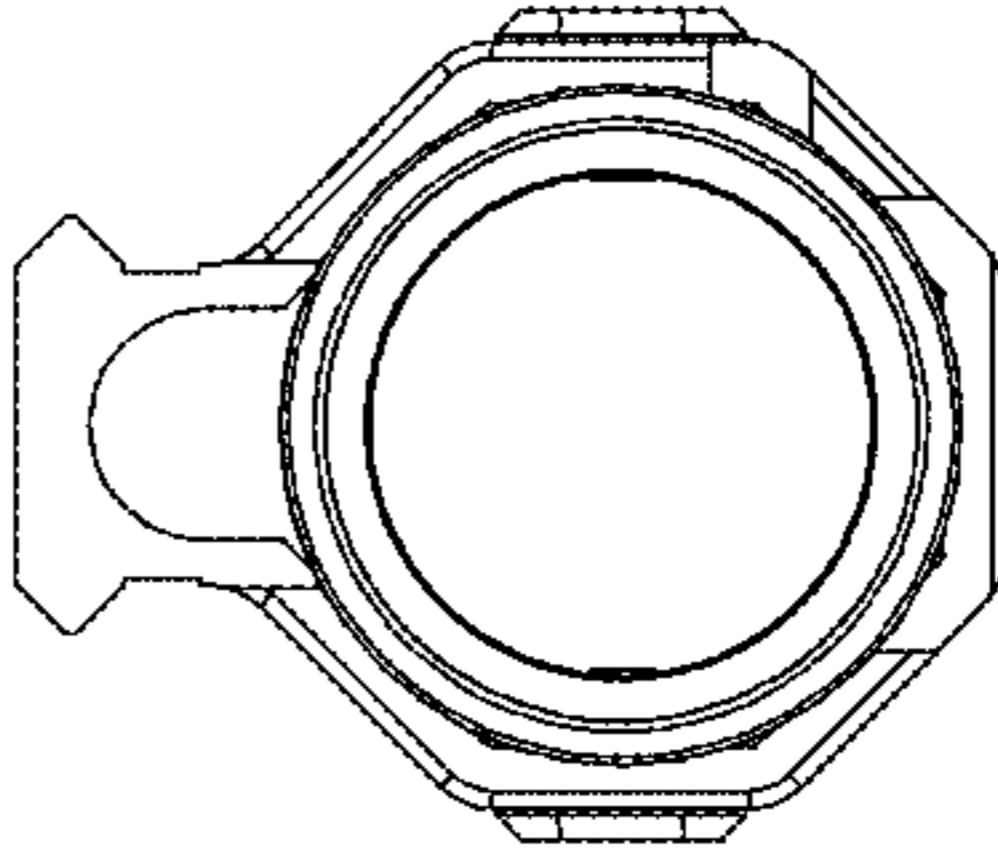


Fig. 7

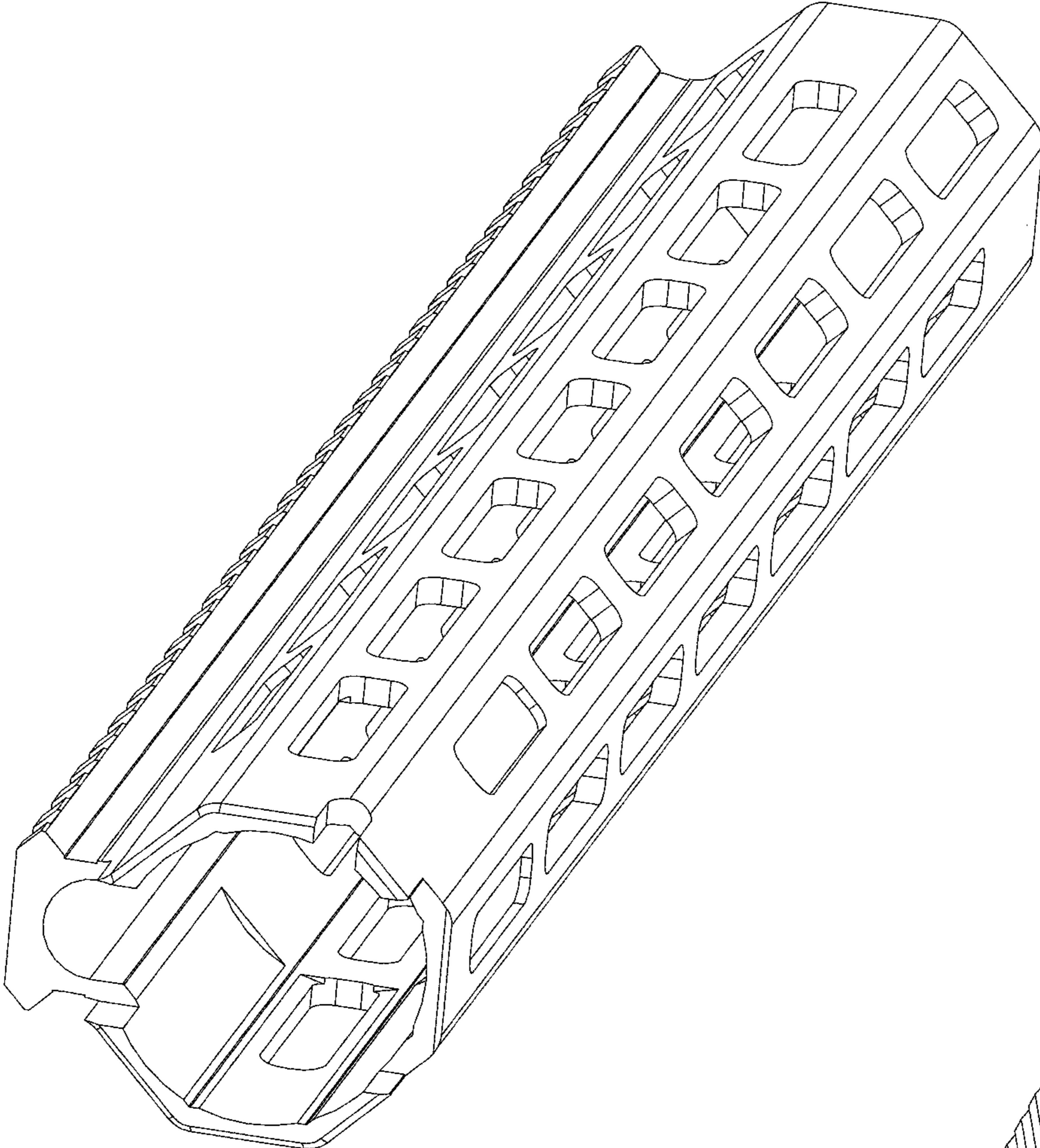


Fig. 9

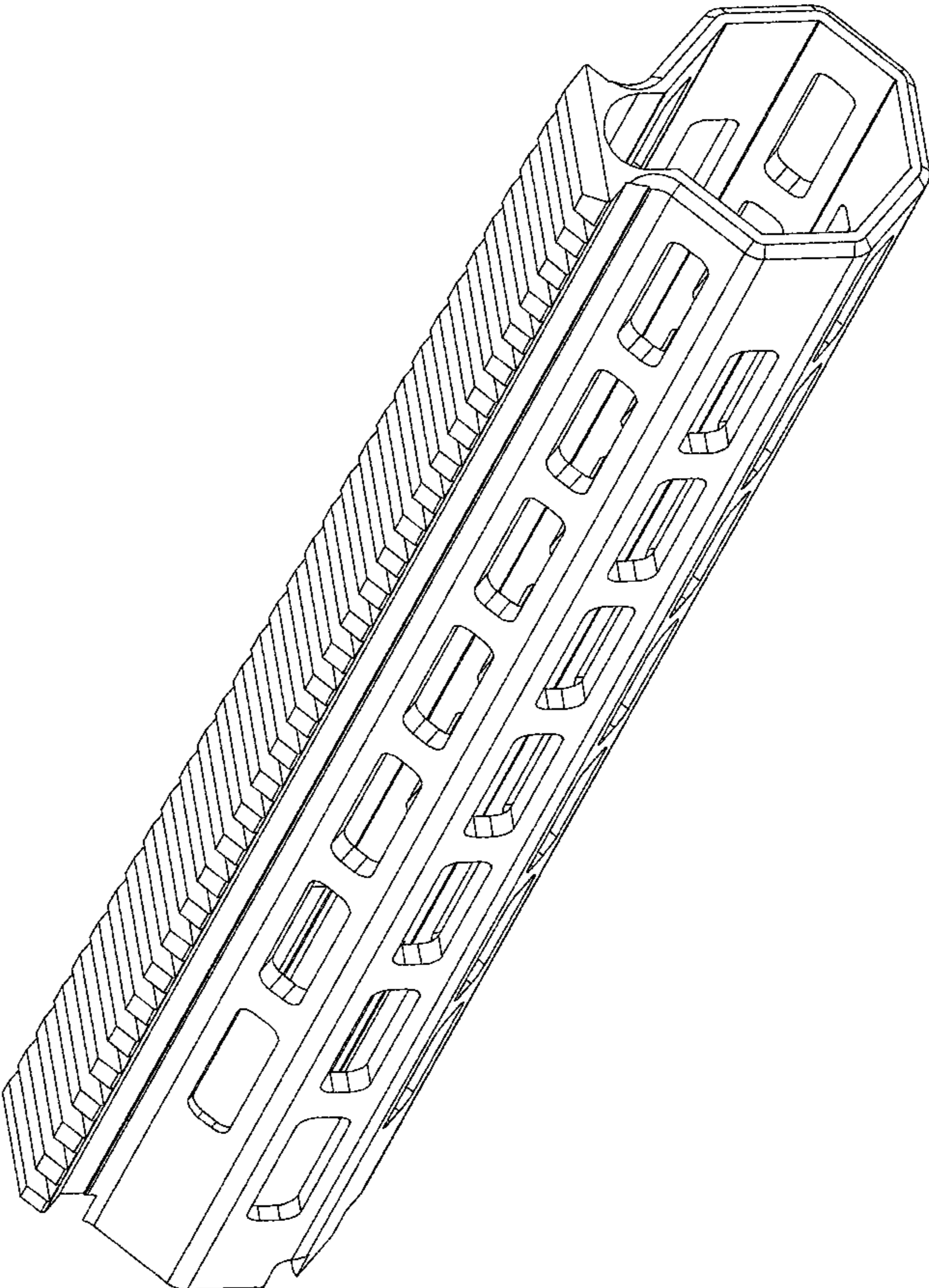


Fig. 10

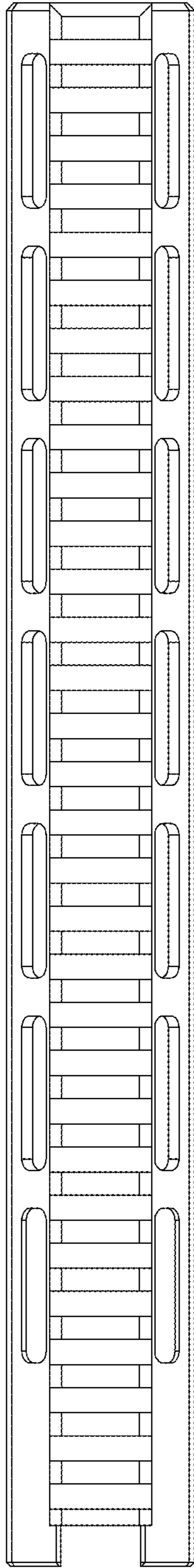


Fig. 11

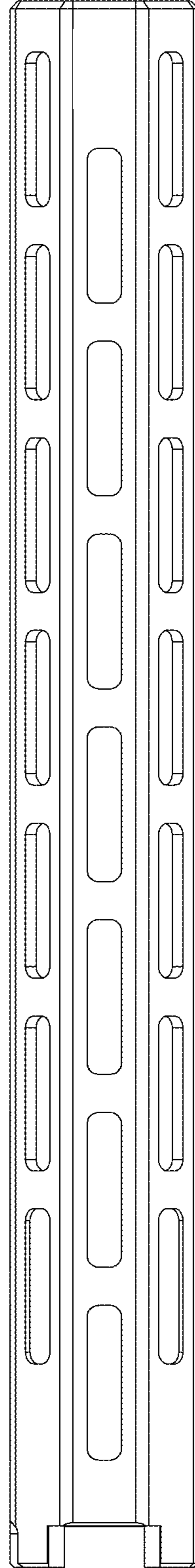


Fig. 12

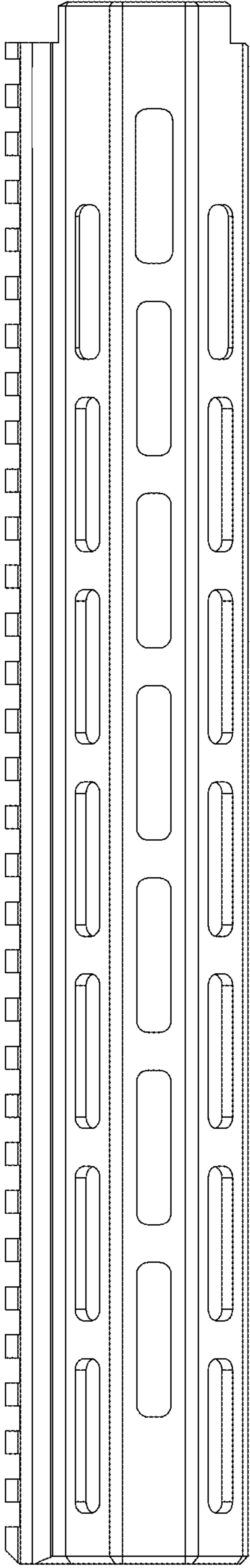


Fig. 13

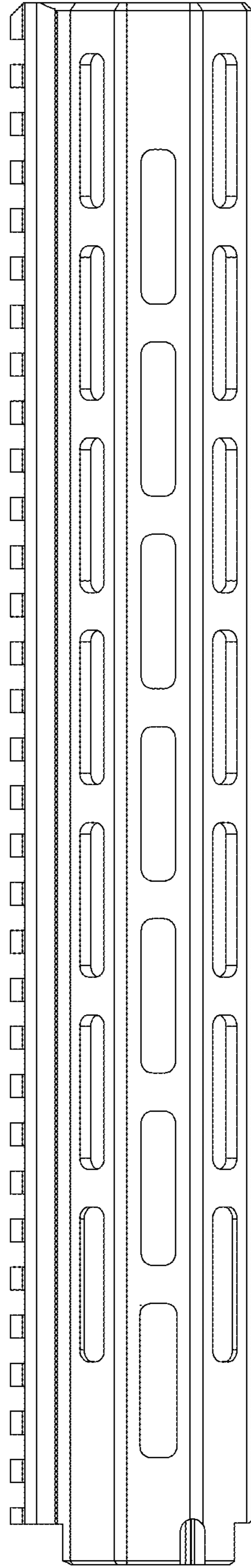


Fig. 14

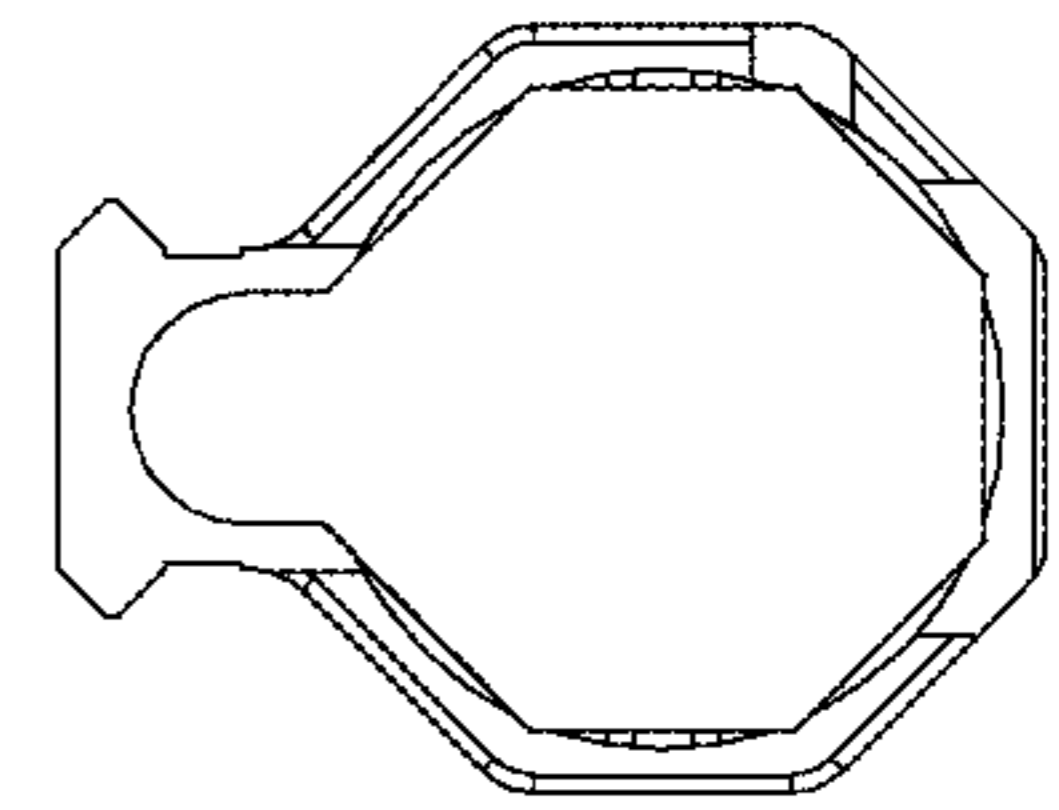


Fig. 15

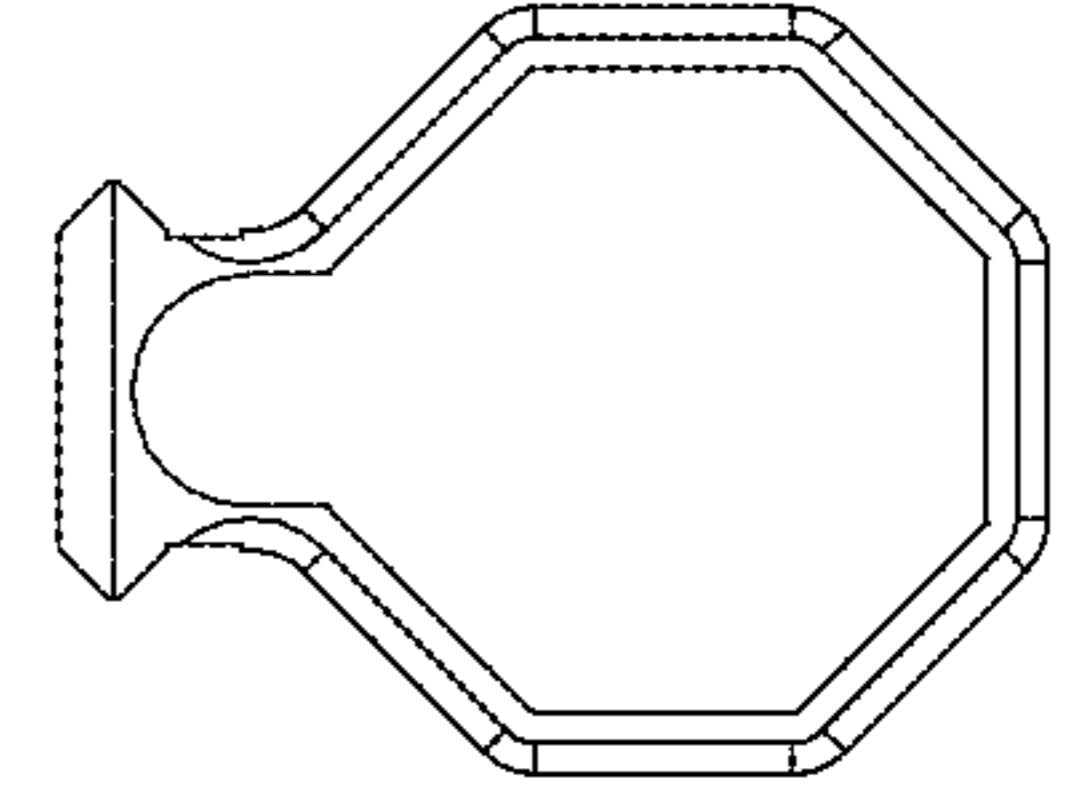


Fig. 16