



US00D923128S

(12) **United States Design Patent**  
**Guo**

(10) **Patent No.:** **US D923,128 S**

(45) **Date of Patent:** **\*\* Jun. 22, 2021**

(54) **TENT**

(71) Applicant: **Shenzhen Create Future International Trading Company**, Shenzhen (CN)

(72) Inventor: **Hui Guo**, Shenzhen (CN)

(\*\*) Term: **15 Years**

(21) Appl. No.: **29/767,628**

(22) Filed: **Jan. 25, 2021**

(51) **LOC (13) Cl.** ..... **21-04**

(52) **U.S. Cl.**  
USPC ..... **D21/836**; D21/837; D21/838

(58) **Field of Classification Search**  
USPC ..... D21/834, 837, 838  
CPC ..... E04H 15/00; E04H 15/003; E04H 15/40;  
E04H 15/405; E04H 15/44; E04H 15/42;  
E04H 15/425

See application file for complete search history.

(56) **References Cited**

**U.S. PATENT DOCUMENTS**

|                   |         |           |       |                       |
|-------------------|---------|-----------|-------|-----------------------|
| D341,407 S *      | 11/1993 | McLeese   | ..... | D21/837               |
| D400,949 S *      | 11/1998 | Gale      | ..... | D21/834               |
| 6,363,955 B1 *    | 4/2002  | Louie     | ..... | E04H 15/40<br>135/126 |
| 6,672,323 B2 *    | 1/2004  | Gupta     | ..... | E04H 15/40<br>135/126 |
| 7,472,436 B1 *    | 1/2009  | Barrett   | ..... | A47D 7/00<br>446/72   |
| D646,741 S *      | 10/2011 | Akaka     | ..... | D21/837               |
| D802,226 S *      | 11/2017 | Caputo    | ..... | D30/108               |
| D828,698 S *      | 9/2018  | Furuland  | ..... | D6/391                |
| D833,558 S *      | 11/2018 | Elson     | ..... | D21/834               |
| D872,208 S *      | 1/2020  | Zhu       | ..... | D21/834               |
| D884,106 S        | 5/2020  | McAlister |       |                       |
| 10,968,658 B2 *   | 4/2021  | Furuland  | ..... | A47D 15/00            |
| 2005/0194028 A1 * | 9/2005  | Shinner   | ..... | E04H 15/38<br>135/90  |

**OTHER PUBLICATIONS**

Giant Whale Playhouse Tent, available online as early as May 25, 2016 [online], [site visited May 7, 2021]. Available from Internet: <URL:https://www.hellowonderful.co/post/giant-whale-playhouse-tent-shop/> (Year: 2016).\*

Whale shape beach tent available online as early as Dec. 29 2020 [online], [site visited May 7, 2021]. Available from Internet: <URL:https://www.joybuy.com/654521386.html> (Year: 2020).\*

Bright Starts™ Explore & Go Whale Activity Gym, Reviewed and available online as early as 2018 [online], [site visited May 7, 2021]. Available from Internet: <URL:https://www.buybuybaby.com/store/product/bright-starts-trade-explore-amp-go-whale-activity-gym/5159291> (Year: 2018).\*

(Continued)

*Primary Examiner* — Cynthia M. Chin

(57) **CLAIM**

The ornamental design for a tent, as shown and described.

**DESCRIPTION**

FIG. 1 is a front and top perspective view of a tent, showing my new design;

FIG. 2 is a front elevation view thereof;

FIG. 3 is a rear elevation view thereof;

FIG. 4 is a left side elevation view thereof;

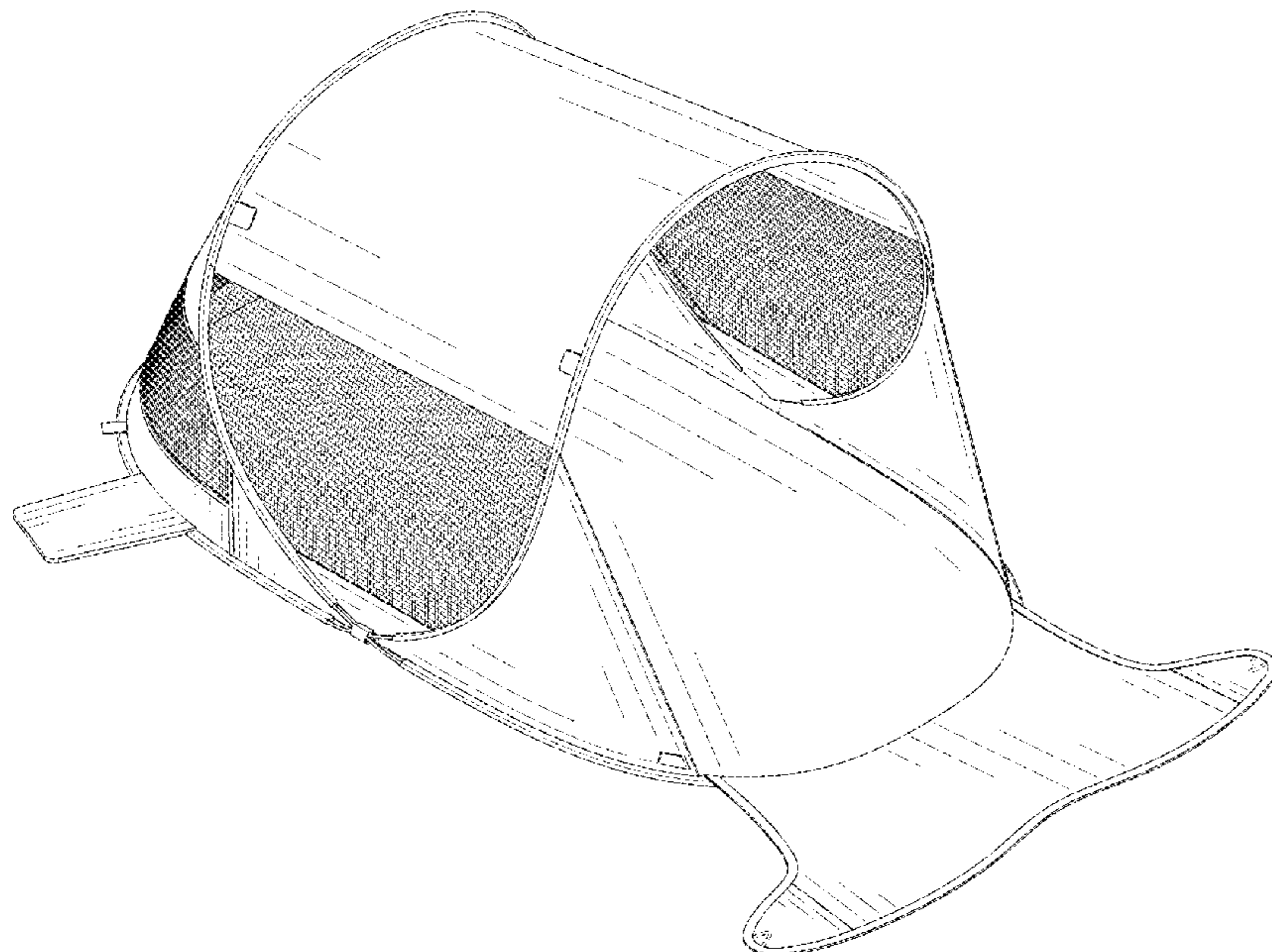
FIG. 5 is a right side elevation view thereof;

FIG. 6 is a top plan view thereof; the bottom of the tent is flat and unornamented; and,

FIG. 7 is an enlarged partial view of a portion of the tent, taken from the left side of FIG. 1.

The dash-dot broken lines represent the boundaries of the enlarged partial views of FIG. 7 and form no part of the claimed design.

**1 Claim, 7 Drawing Sheets**



(56)

**References Cited**

OTHER PUBLICATIONS

Bazoongi Wiki Whale Play Tent, Reviewed and available online as early as Sep. 15, 2016 [online], [site visited May 7, 2021]. Available from Internet: <URL:https://www.amazon.co.uk/dp/B003NXJ24G> (Year: 2016).\*

Free Swimming Baby Pop Up Baby Beach Tent, Reviewed and available online as early as Sep. 24, 2020 [online], [site visited May 7, 2021]. Available from Internet: <URL:https://www.amazon.co.uk/Free-Swimming-Baby-Portable-Protection/dp/B08DY8C41J/> (Year: 2020).\*

\* cited by examiner



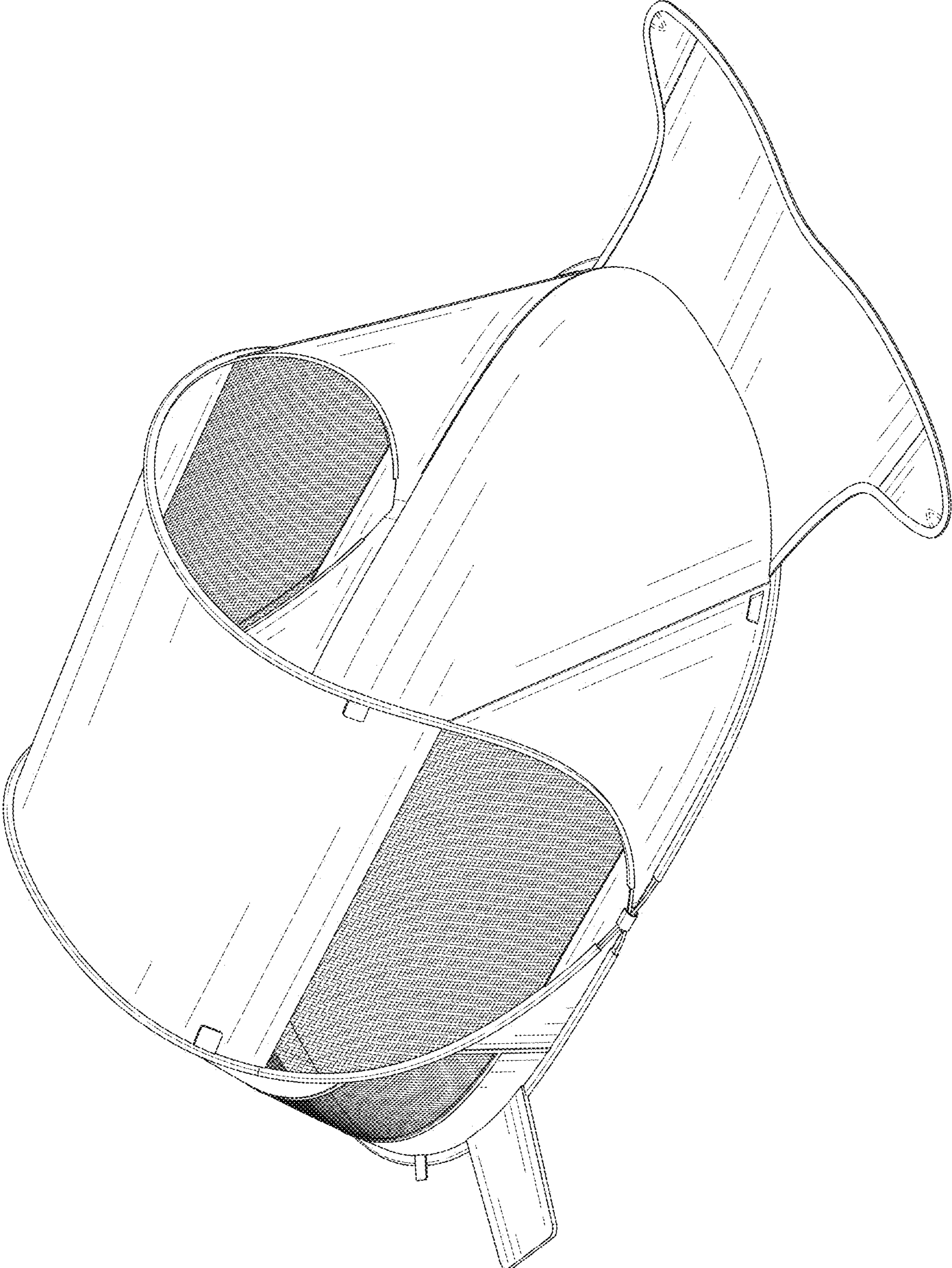


FIG. 1

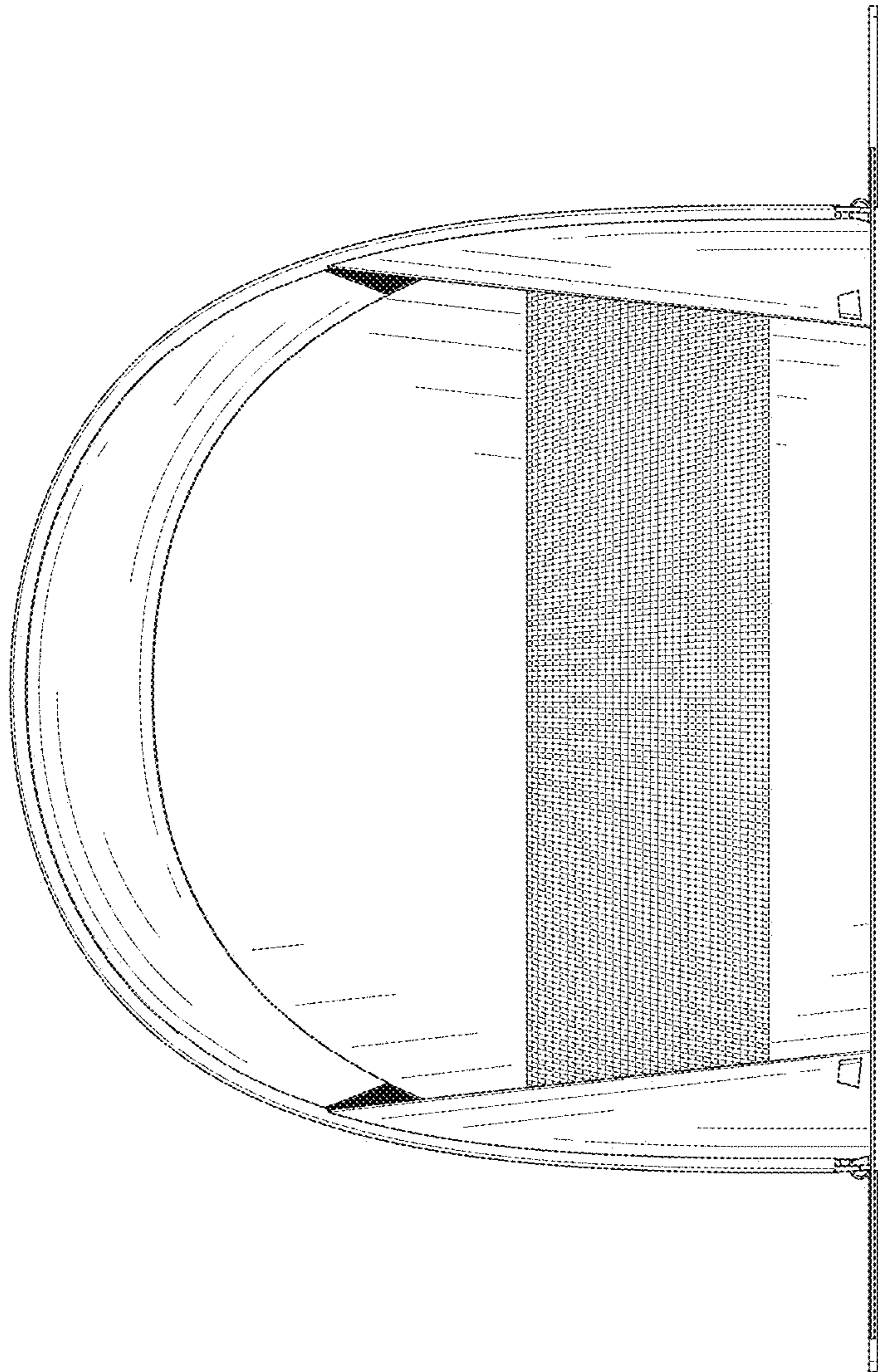


FIG. 2



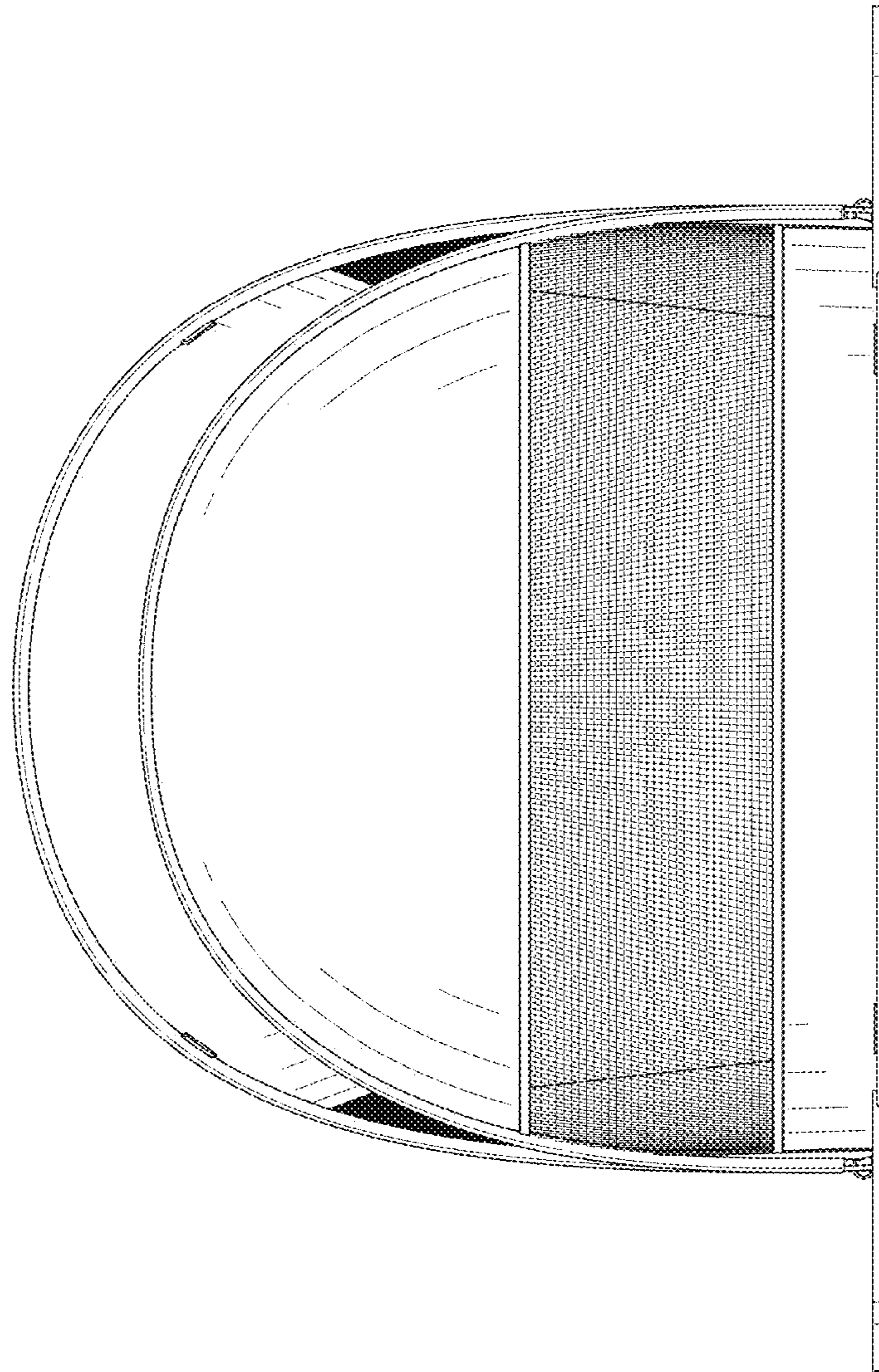


FIG. 3

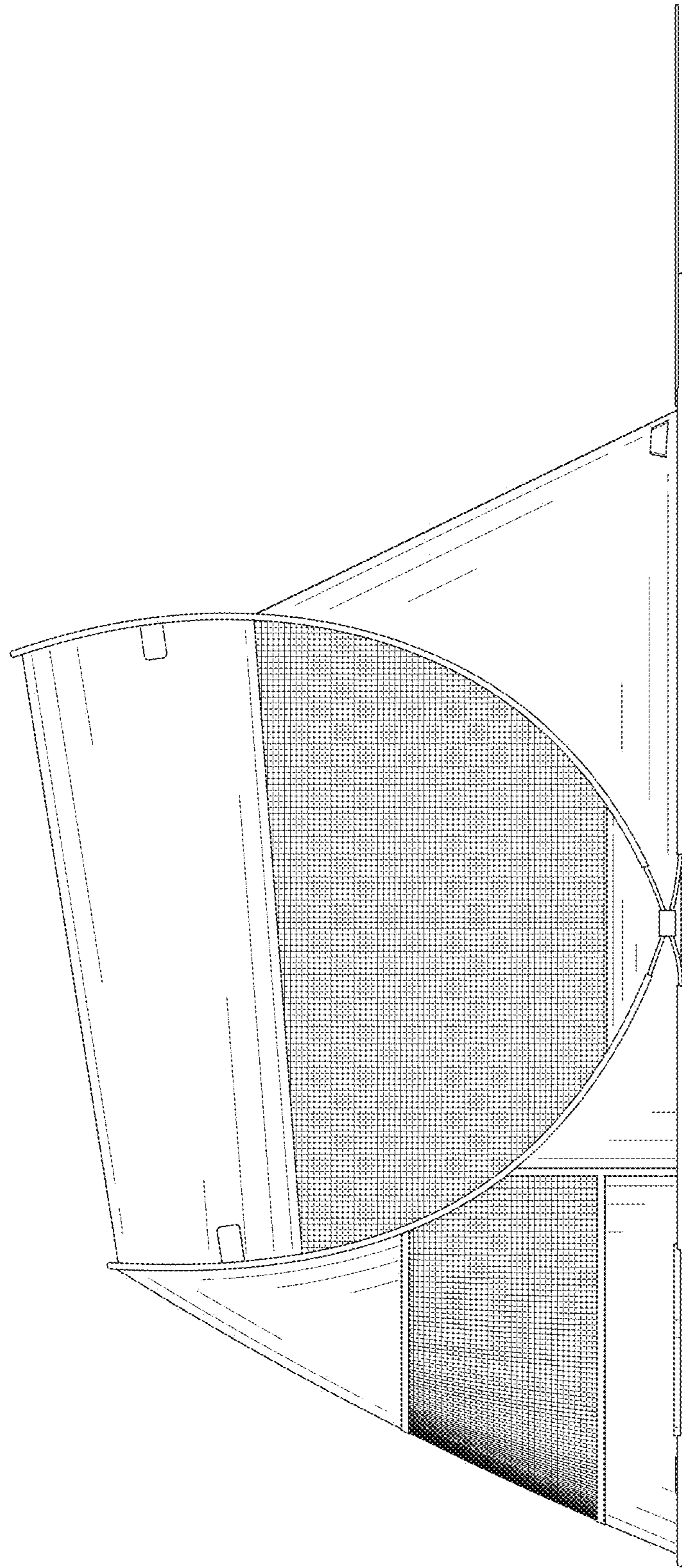


FIG. 4

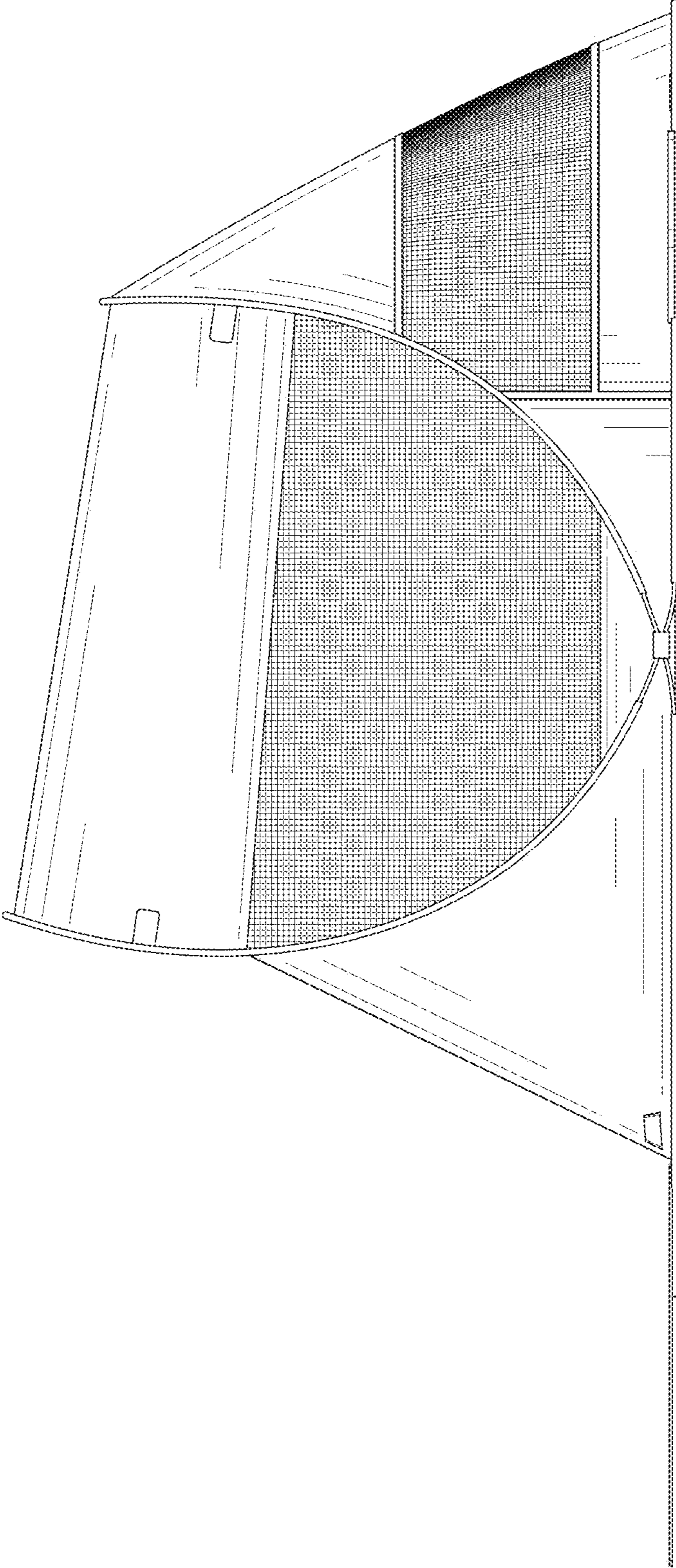


FIG. 5



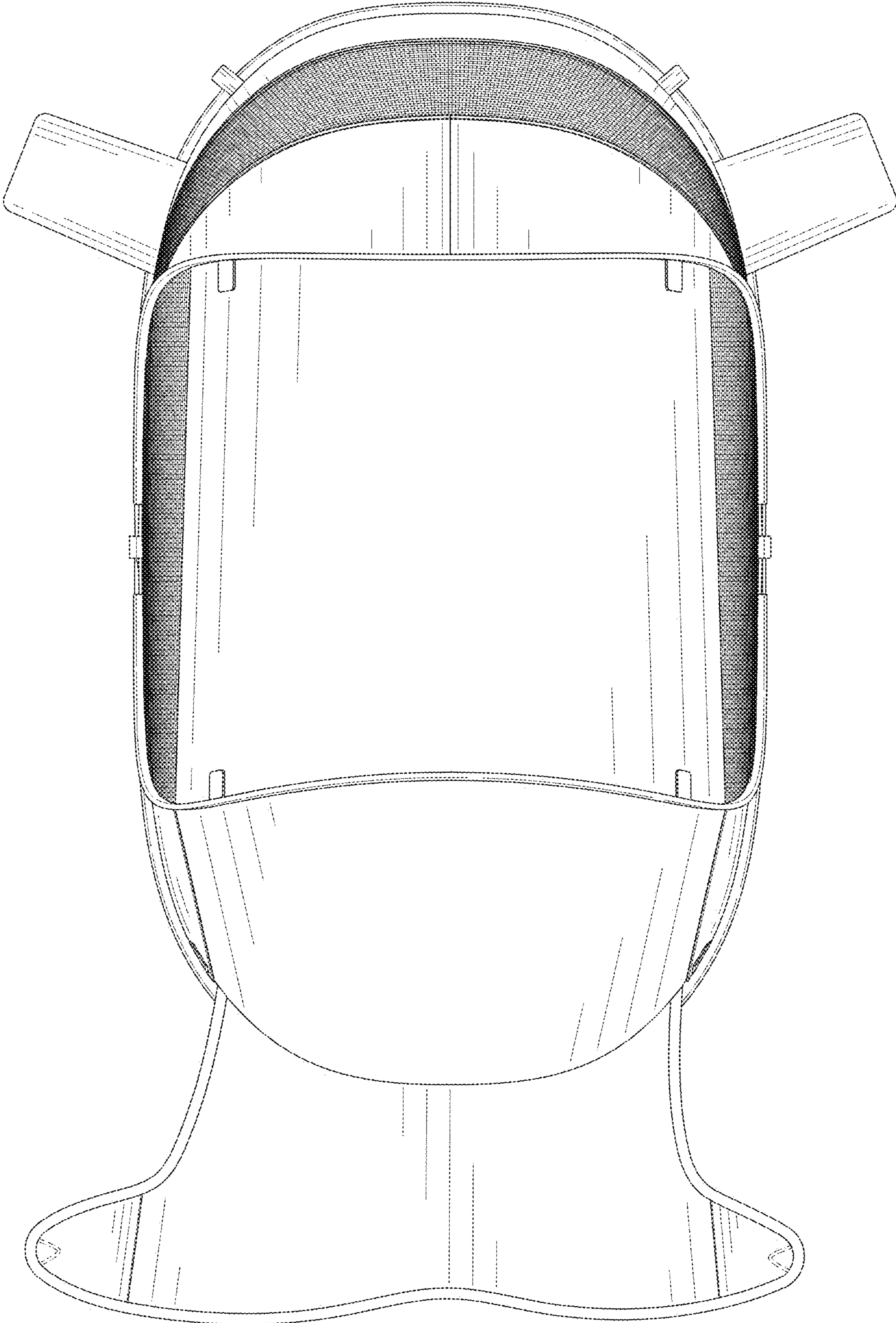


FIG. 6



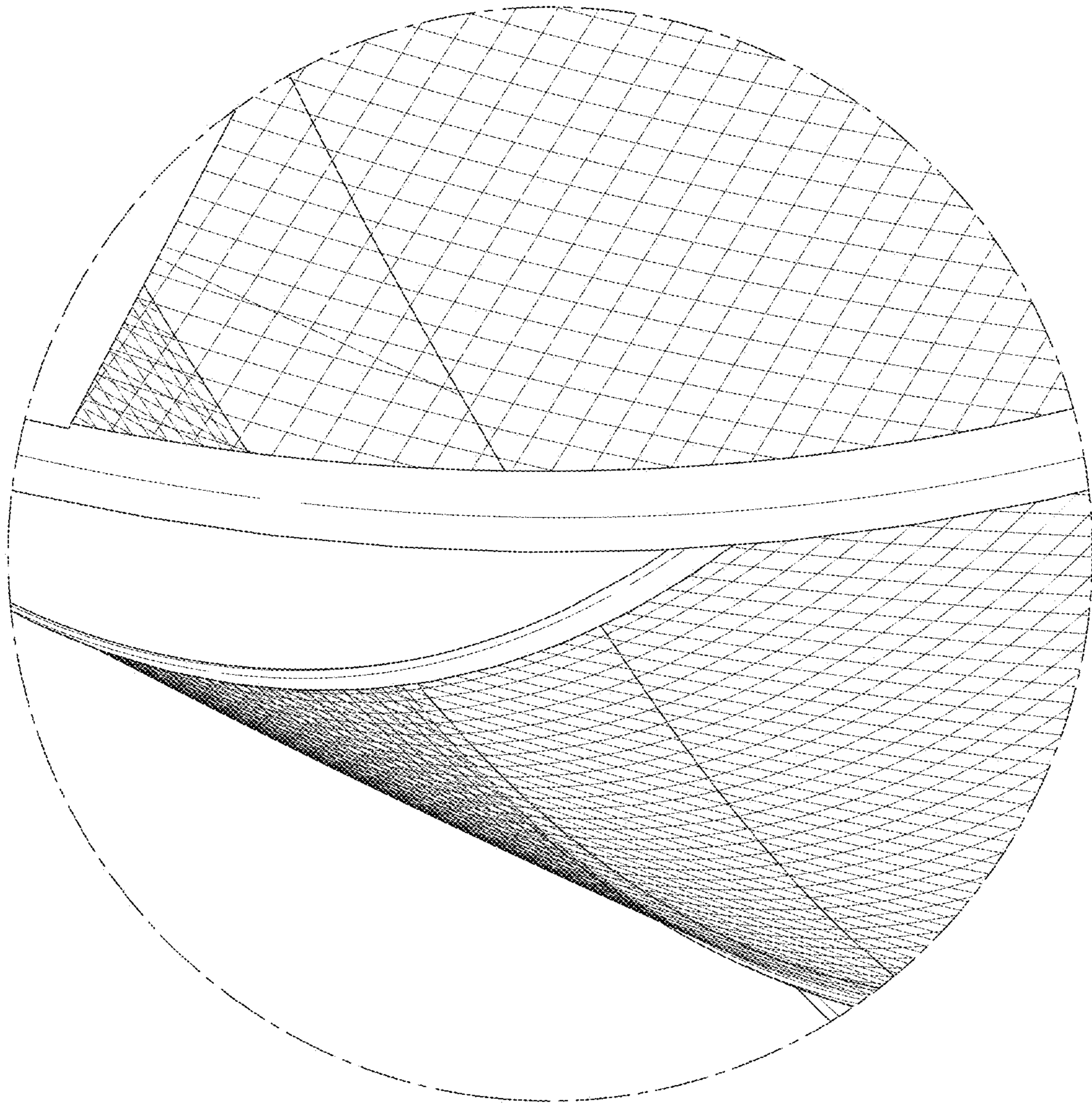


FIG. 7