



US00D923127S

(12) **United States Design Patent**
Peterson et al.

(10) **Patent No.:** **US D923,127 S**

(45) **Date of Patent:** **** Jun. 22, 2021**

(54) **WATER SLIDE**

(71) Applicant: **SDS Asia Limited, BVI # 1748971,**
Hong Kong (CN)

(72) Inventors: **Leroy L. Peterson, Omaha, NE (US);**
Jason Koranda, Omaha, NE (US)

(73) Assignee: **SDS Asia Limited, BVI #1748971,**
Central (HK)

(**) Term: **15 Years**

(21) Appl. No.: **29/711,493**

(22) Filed: **Oct. 31, 2019**

Related U.S. Application Data

(63) Continuation of application No. 29/639,324, filed on
Mar. 6, 2018, now Pat. No. Des. 867,509.

(51) **LOC (13) Cl.** **21-03**

(52) **U.S. Cl.**
USPC **D21/819**

(58) **Field of Classification Search**
USPC D21/818-822, 811, 814
CPC A63G 21/00-22
See application file for complete search history.

(56) **References Cited**

U.S. PATENT DOCUMENTS

- 2,982,547 A * 5/1961 Carrier A63G 21/18
472/117
- D256,940 S * 9/1980 Allen, 3rd D21/819
- 4,242,829 A * 1/1981 Arnstrom A63H 23/16
403/300
- D260,276 S * 8/1981 Gehlbach D21/797
- 4,299,171 A * 11/1981 Larson A63G 3/02
104/70
- D266,346 S * 9/1982 Millay D21/819
- D266,937 S * 11/1982 Dahlgren D21/565

- 5,154,671 A * 10/1992 Smollar A63G 31/007
472/117
- 5,505,663 A * 4/1996 Goulart A63G 21/00
14/70
- 5,551,911 A 9/1996 Katz et al.

(Continued)

Primary Examiner — Mitchell I. Siegel

(74) *Attorney, Agent, or Firm* — Suiter Swantz pc llo

(57) **CLAIM**

The ornamental design for a water slide, as shown and described.

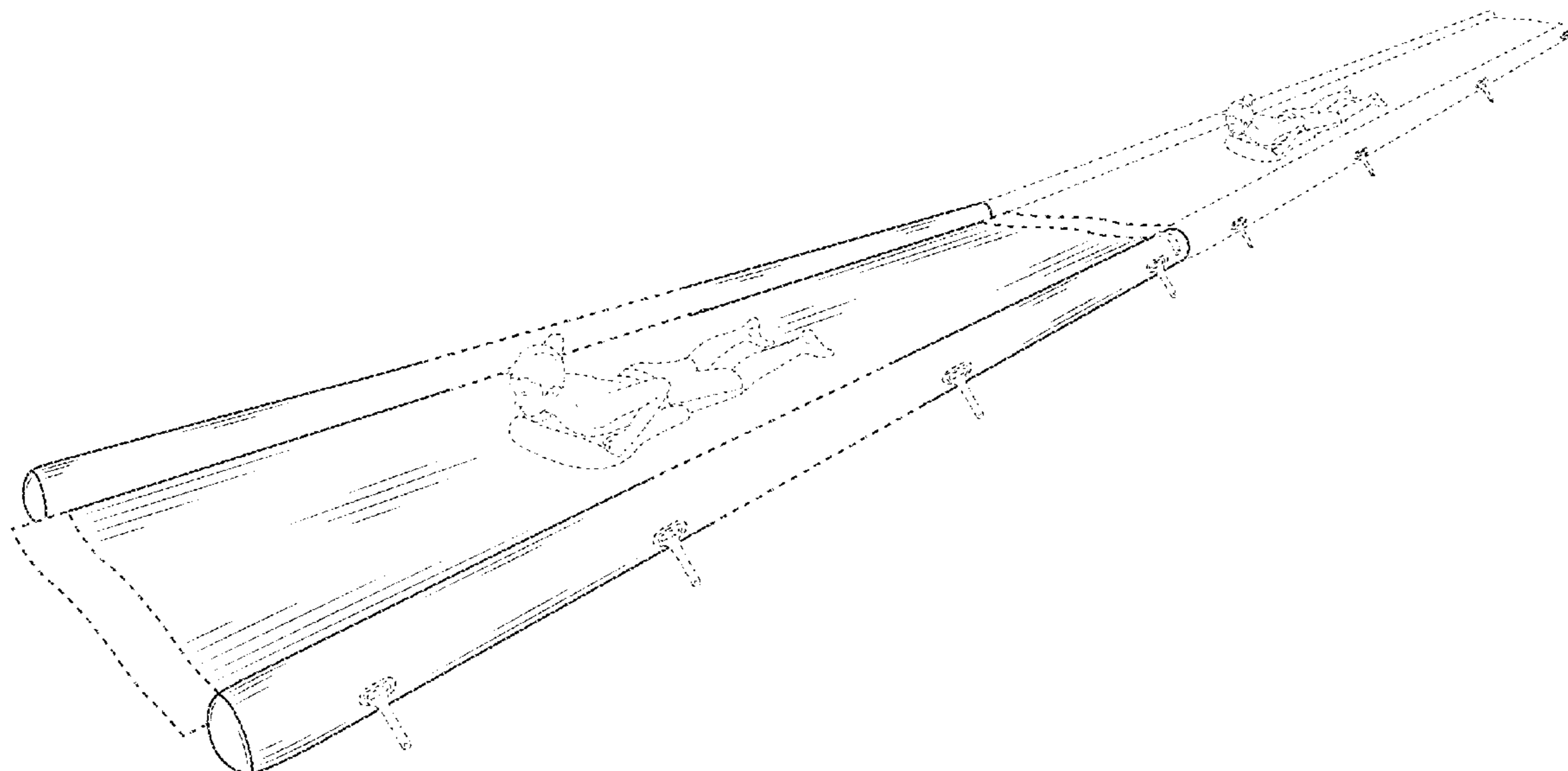
DESCRIPTION

FIG. 1 is a perspective view showing our new design;
 FIG. 2 is a top plan view thereof;
 FIG. 3 is a front elevation view thereof;
 FIG. 4 is a left side elevation view thereof;
 FIG. 5 is a rear elevation view thereof;
 FIG. 6 is a right side elevation view thereof;
 FIG. 7 is a bottom plan view thereof;
 FIG. 8 is a perspective view thereof;
 FIG. 9 is a partial perspective view thereof;
 FIG. 10 is a partial perspective view thereof;
 FIG. 11 is a partial perspective view thereof; and,
 FIG. 12 is a partial perspective view thereof.

The middle portion of the water slide shown in broken lines indicate indeterminate length and forms no part of the claimed design. The broken line showing the connection system on the ends of the pontoons, the air valves on the water slide and the attached water slide are included for the purpose of illustrating unclaimed subject matter and forms no part of the claimed design. The broken lines showing the end flaps at ends of the water slide, a portion of a hose at water connection end of a pontoon, and straps are included for the purpose of illustrating unclaimed subject matter and forms no part of the claimed design.

The broken lines shown form no part of the claimed design.

1 Claim, 12 Drawing Sheets



(56)

References Cited

U.S. PATENT DOCUMENTS

5,551,922 A * 9/1996 Katz A63C 19/00
4/494
D382,619 S * 8/1997 Peterson D21/818
D388,148 S * 12/1997 Sutton D21/818
6,062,983 A * 5/2000 Butsook A63G 21/18
4/488
6,312,341 B1 * 11/2001 Healy A63G 21/18
472/116
D460,511 S * 7/2002 Van Deusen D21/818
6,419,587 B1 * 7/2002 Geyer A63G 21/00
472/116
D749,180 S * 2/2016 Goldreyer D21/819
9,446,323 B2 * 9/2016 Goldreyer A63G 21/18
9,511,298 B2 12/2016 Sgromo et al.
D813,337 S * 3/2018 Hunter D21/819
D838,331 S * 1/2019 Ozsoz D21/819
D855,727 S * 8/2019 Hunter D21/819
D867,509 S * 11/2019 Peterson D21/819
2017/0106295 A1 * 4/2017 Hunter A63G 31/007

* cited by examiner

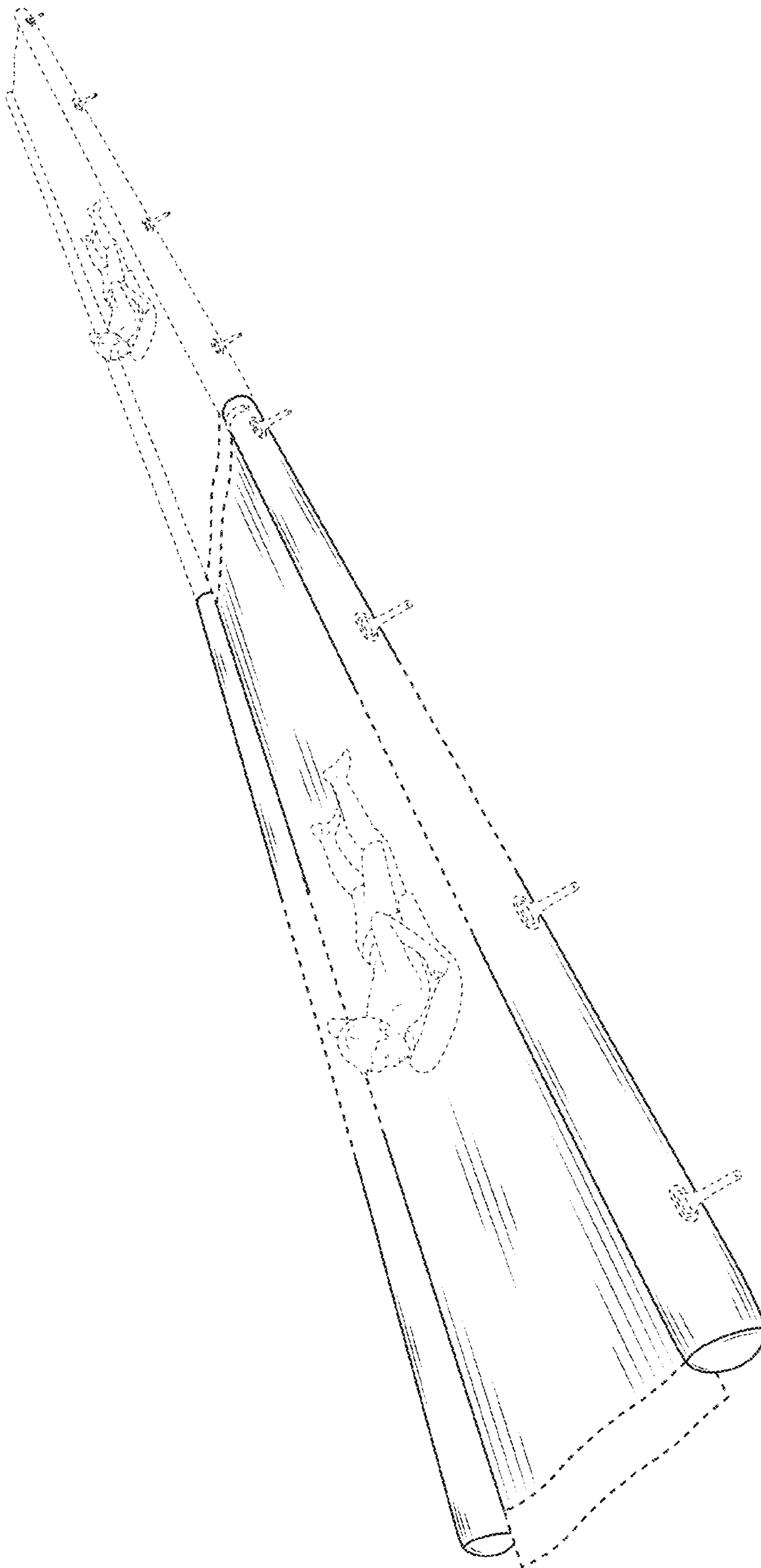


FIG.1

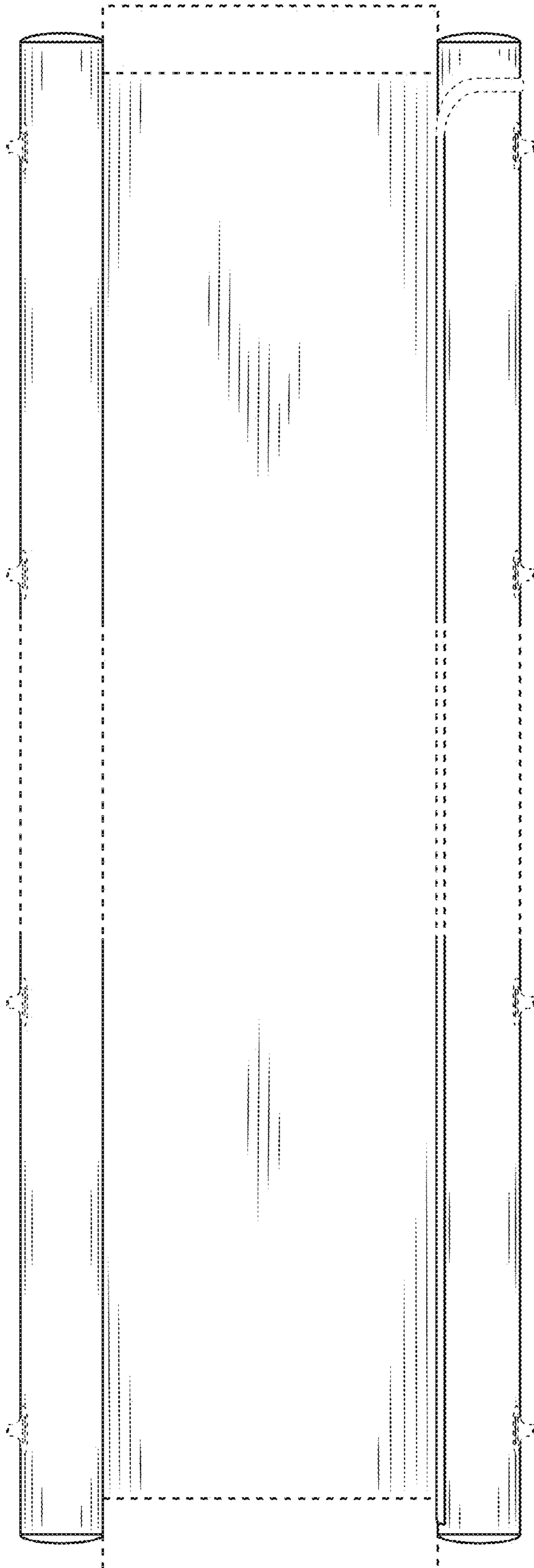


FIG. 2

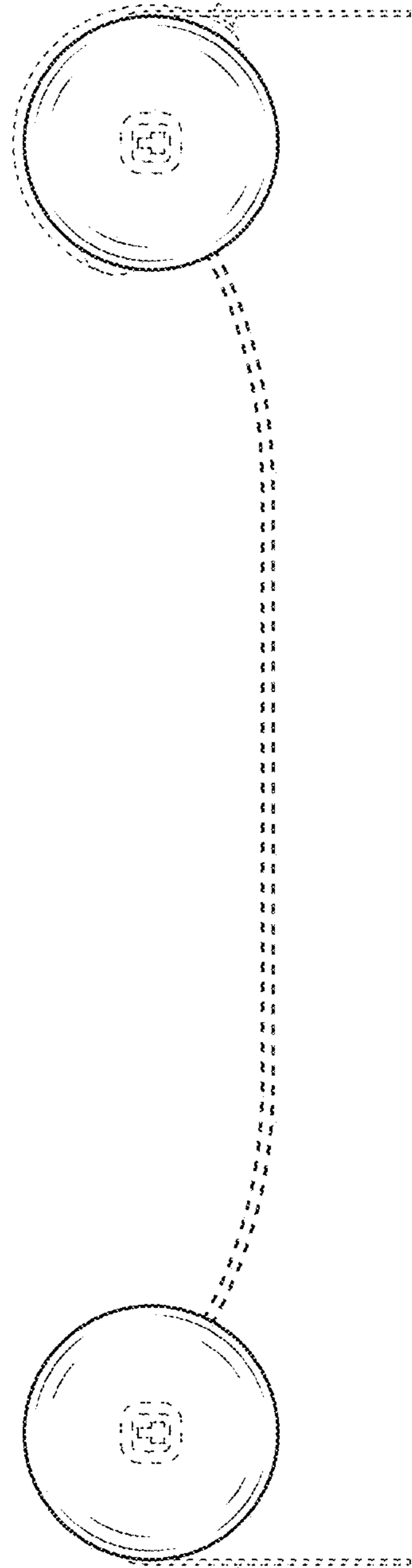


FIG. 3

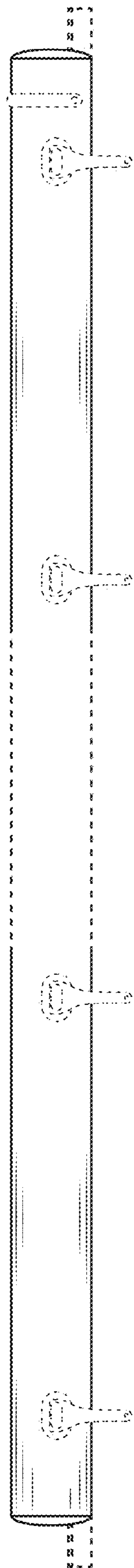


FIG. 4

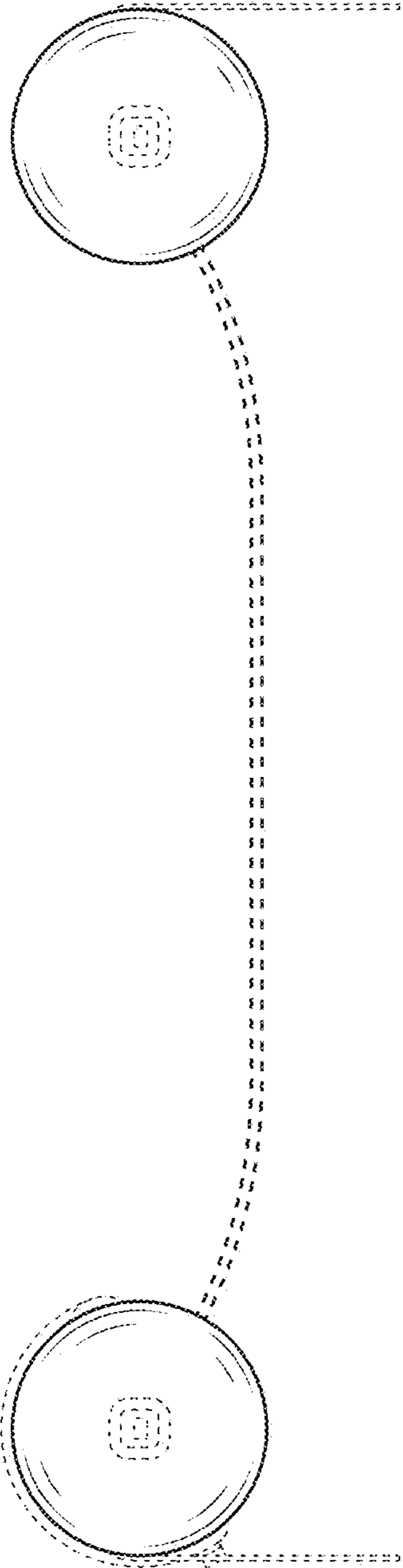


FIG. 5

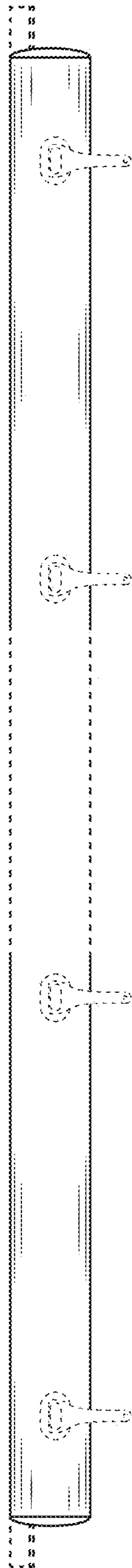


FIG. 6

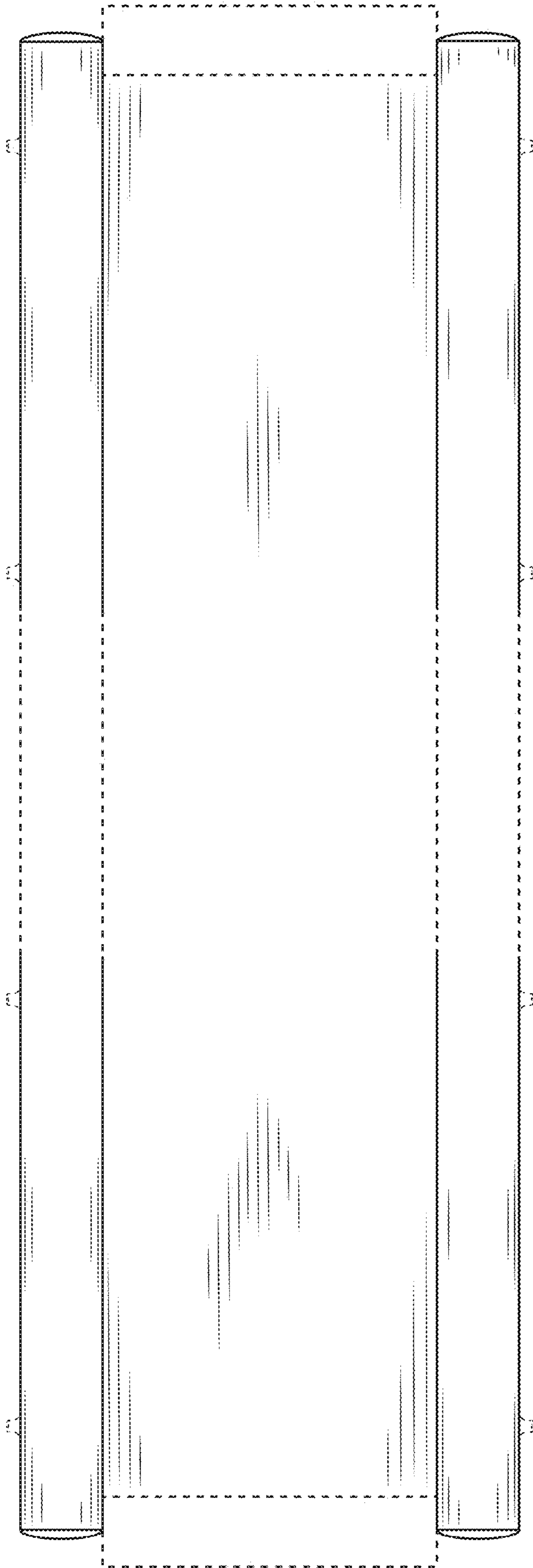


FIG. 7

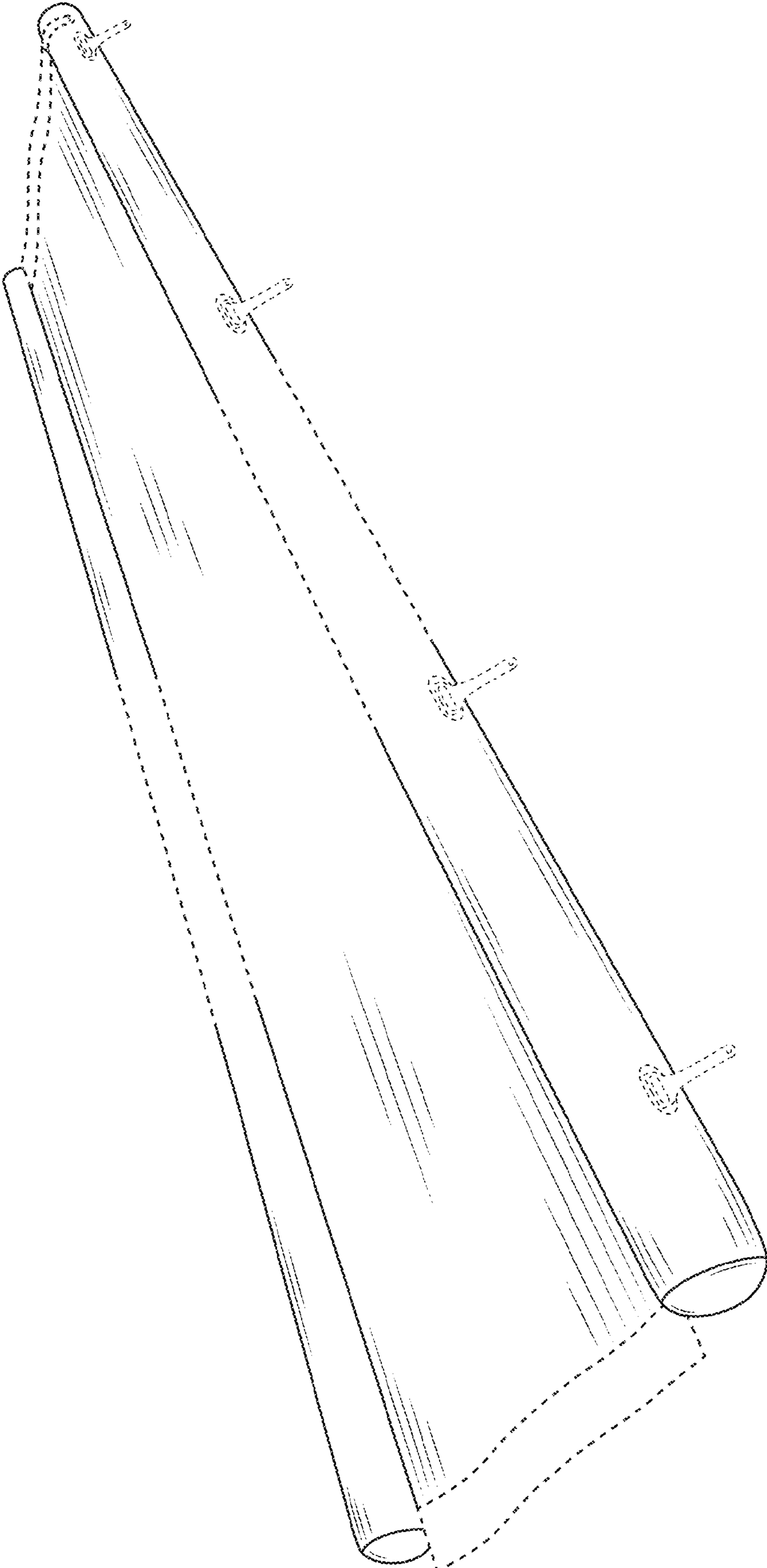


FIG. 8

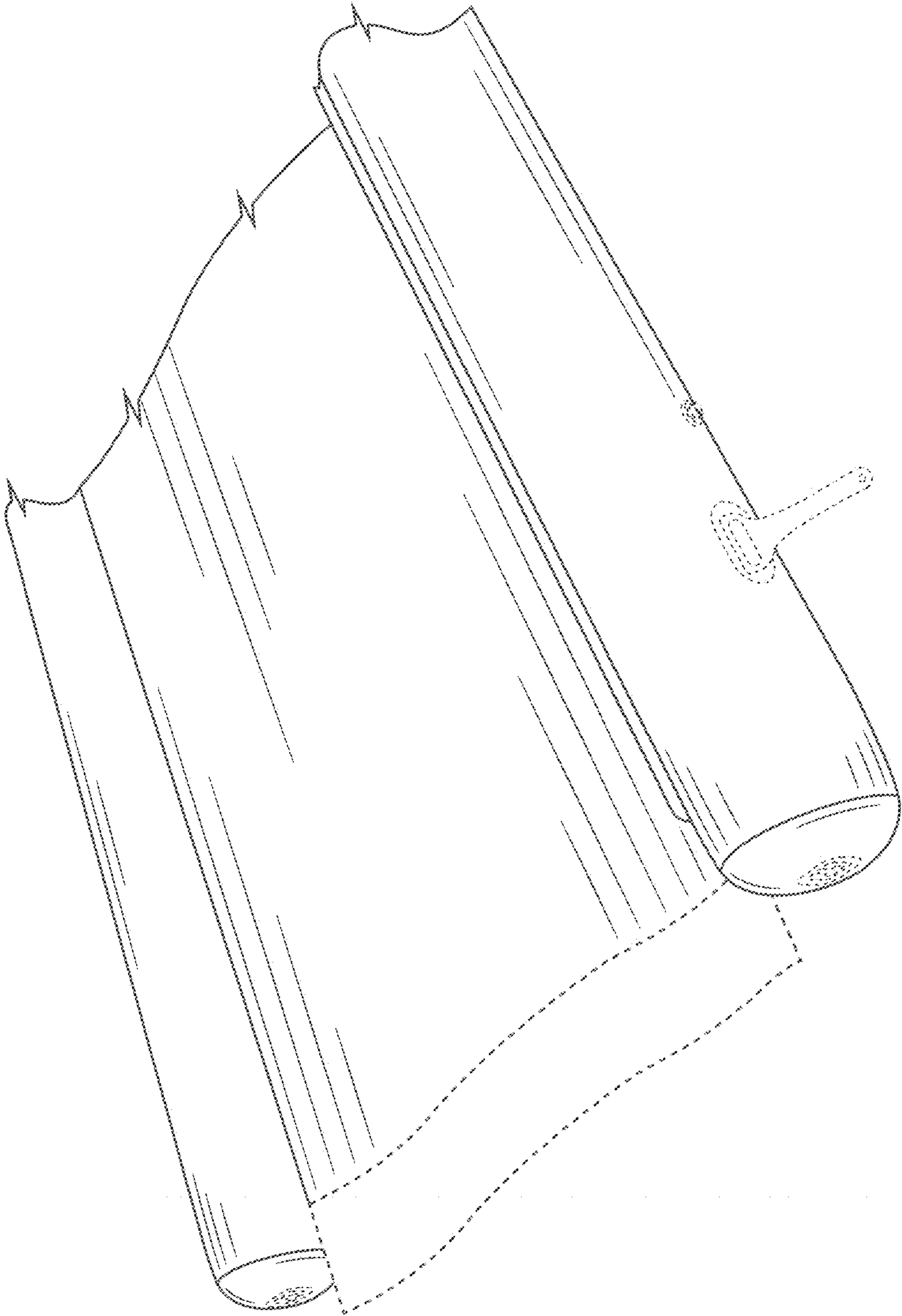


FIG. 9

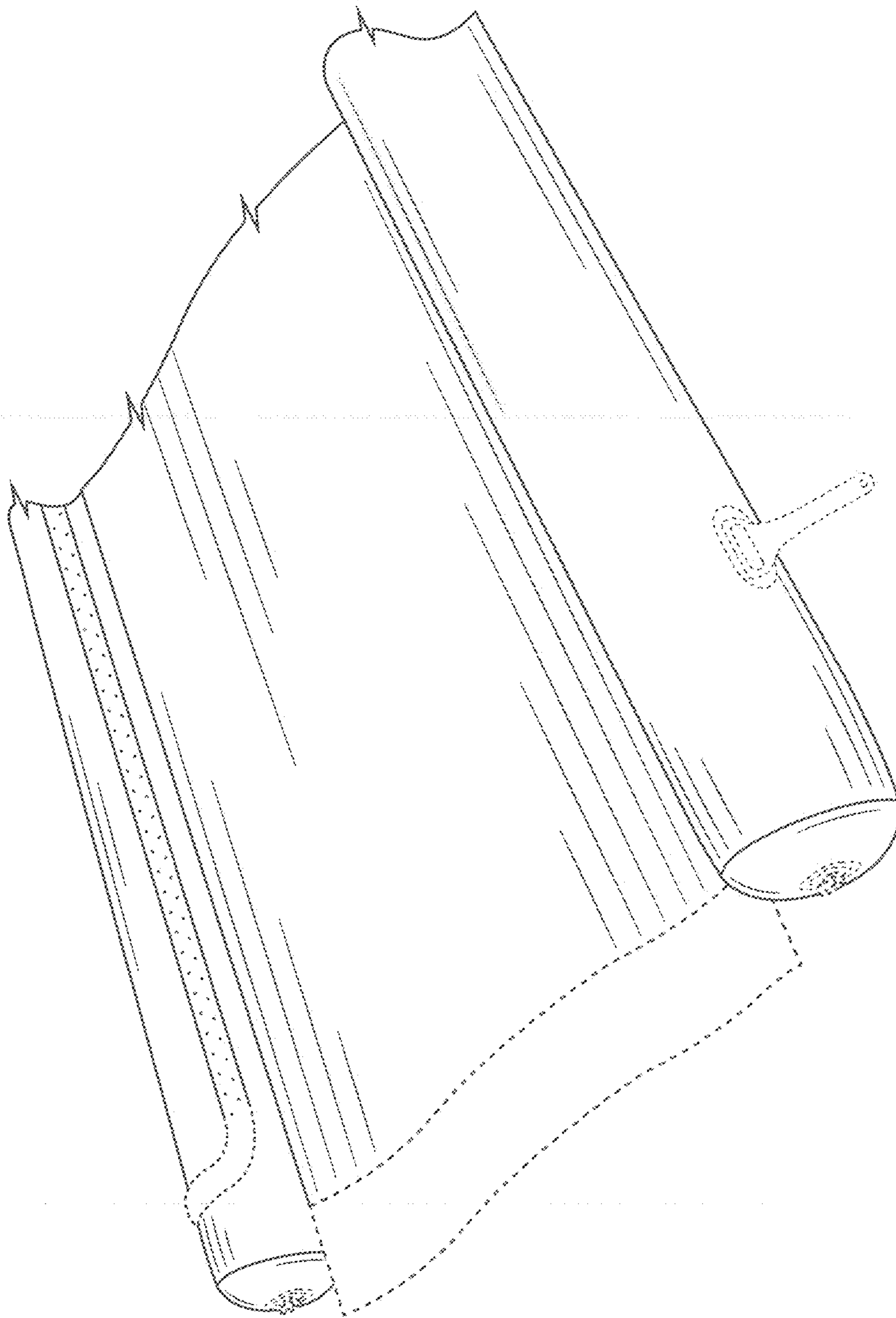


FIG.10

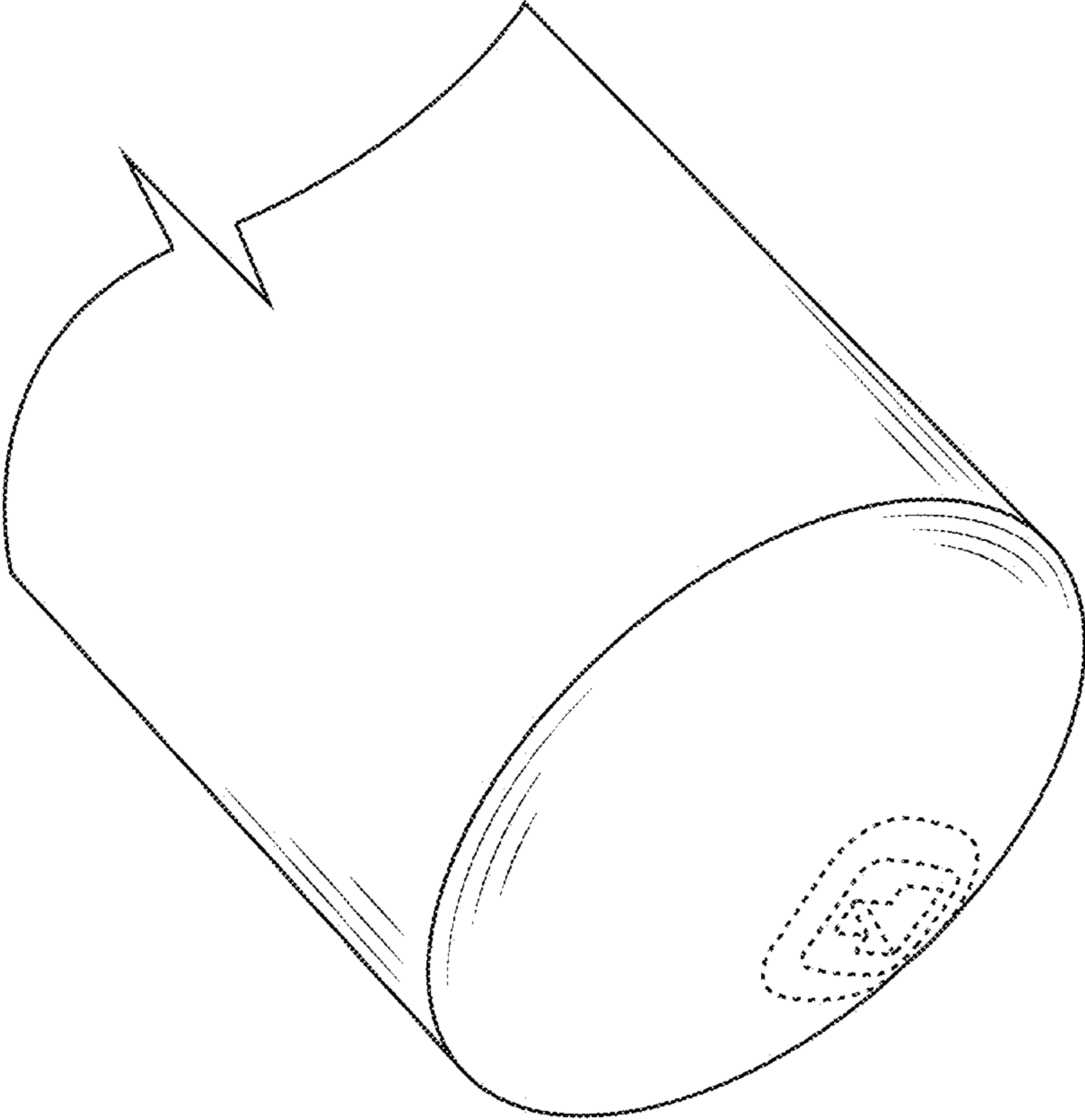


FIG. 11

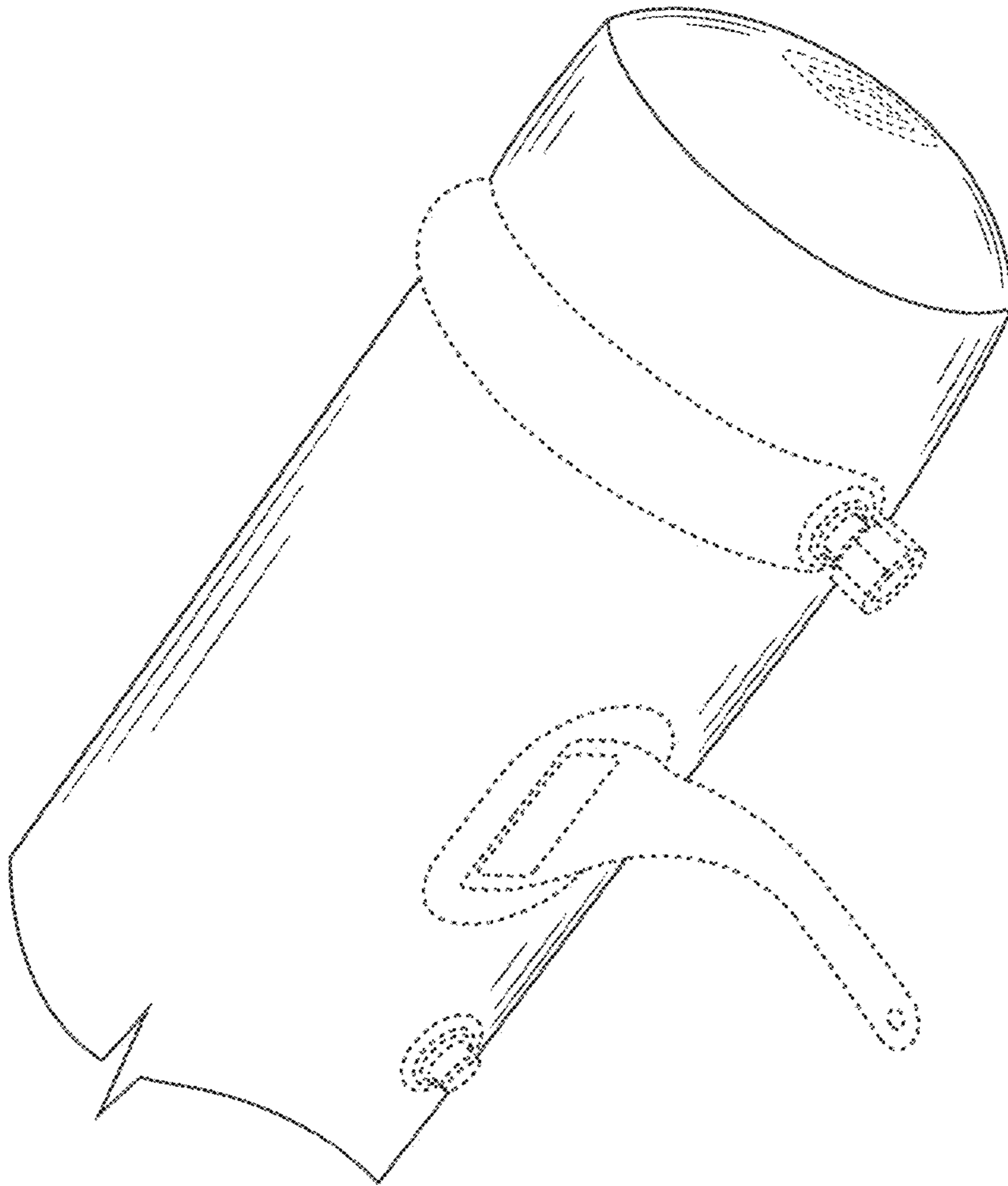


FIG. 12