



US00D923126S

(12) **United States Design Patent**
Engler et al.

(10) **Patent No.:** **US D923,126 S**
(45) **Date of Patent:** **** Jun. 22, 2021**

(54) **INFLATABLE FLOAT**

(71) Applicant: **P&P Imports LLC**, Santa Ana, CA
(US)

(72) Inventors: **Peter H Engler**, Newport Beach, CA
(US); **Peter L Tanoury**, Newport
Beach, CA (US); **Sean Kyne**, Dana
Point, CA (US)

(**) Term: **15 Years**

(21) Appl. No.: **29/689,620**

(22) Filed: **Apr. 30, 2019**

(51) **LOC (13) Cl.** **21-01**

(52) **U.S. Cl.**
USPC **D21/808**; D21/803

(58) **Field of Classification Search**
USPC D6/597-599, 601; D12/316; D21/803,
D21/805-806, 808, 809
CPC .. A63B 21/4005; A47C 15/006; A47C 15/008
See application file for complete search history.

(56) **References Cited**

U.S. PATENT DOCUMENTS

D171,752 S *	3/1954	Dardenelle	D6/598
D176,598 S *	1/1956	Dardenelle et al.	D6/598
D256,414 S *	8/1980	Rich	D21/416
4,245,426 A *	1/1981	Sullivan	A63H 3/005 297/181
D289,191 S *	4/1987	Wolfe	D21/808
D293,011 S *	12/1987	Wolfe	D12/316
D304,657 S *	11/1989	Mason Hayes	D6/598
D306,633 S *	3/1990	Wolfe	D21/808
D386,031 S *	11/1997	Bear	D21/603
D409,036 S *	5/1999	Bear	D21/603
D411,778 S *	7/1999	Bear	D21/603
D433,864 S *	11/2000	Rosenstadt	D21/603
D445,285 S *	7/2001	Kwapis	D21/808
D505,290 S *	5/2005	Bourget	D21/650

D519,594 S *	4/2006	Brown	D21/603
D526,689 S *	8/2006	Marshall	D21/473
D532,057 S *	11/2006	Boutin	D21/603
D596,437 S *	7/2009	Su	D6/595
D651,440 S *	1/2012	Roach	D6/598

(Continued)

OTHER PUBLICATIONS

“Jet Creations 51 inch Inflatable Plush Velociraptor Raptor” Sep. 25,
2017, Amazon.com, site visited Jun. 6, 2020: <https://www.amazon.com/dp/B004SHVDG6/> (Year: 2017).*

(Continued)

Primary Examiner — Michael C Stout

Assistant Examiner — Melvin L Davis

(74) *Attorney, Agent, or Firm* — Casey H. Kempner;
Siamak S. Hefazi

(57) **CLAIM**

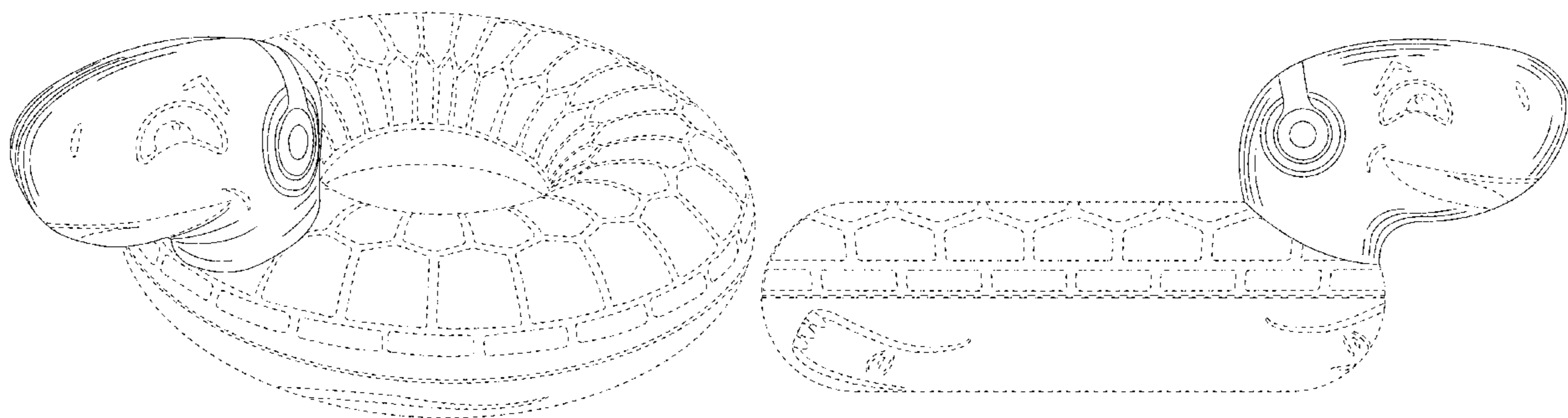
The ornamental design for an inflatable float, as shown and
described.

DESCRIPTION

FIG. 1 is a perspective view of the inflatable float showing
the claimed design;
FIG. 2 is a left-side view of the inflatable float as shown in
FIG. 1;
FIG. 3 is a right-side view of the inflatable float as shown in
FIG. 1;
FIG. 4 is a front view of the inflatable float as shown in FIG.
1;
FIG. 5 is a back view of the inflatable float as shown in FIG.
1;
FIG. 6 is a top view of the inflatable float as shown in FIG.
1; and,
FIG. 7 is a bottom view of the inflatable float as shown in
FIG. 1.

The broken lines in the figures show portions of the inflat-
able float that form no part of the claimed design.

1 Claim, 7 Drawing Sheets



(56)

References Cited

U.S. PATENT DOCUMENTS

D783,370 S *	4/2017	Su	D7/619.2
D787,617 S *	5/2017	Krepack	D21/808
D791,502 S *	7/2017	Perez	D6/598
D834,676 S *	11/2018	Hsu	D21/808
D846,679 S *	4/2019	Ligeri	D21/808
D866,998 S *	11/2019	Zheng	D6/333

OTHER PUBLICATIONS

“Pillow Pets Sleptime Lites Brown Dinosaur Stuffed Animal Plush Night Light” Feb. 27, 2018, Amazon.com, site visited Jun. 6, 2020: <https://www.amazon.com/dp/B07B3KY18F/> (Year: 2018).*

“GoFloats” May 10, 2019, instagram.com, site visited Jun. 6, 2020: <https://www.instagram.com/p/BxTKmFHgTLd/> (Year: 2019).*

Pool Float Co.—Inflatable Pool Float Turtle, https://www.amazon.com/Inflatable-Pool-Float-Sea-Turtle/dp/B07Q8JZ63Z/ref=sr_1_10?hvadid=178101722849&hvdev=c&hvlocphy=9031569&hvnetw=

[g&hvpos=1t1&hvqmt=e&hvrnd=11450176165531266638&hvtargid=aud-646675774026%3Akwd-3155776650&keywords=turtle+pool+float&qid=1556140811&s=gateway&sr=8-10.](https://www.amazon.com/Inflatable-Pool-Float-Sea-Turtle/dp/B07Q8JZ63Z/ref=sr_1_10?hvadid=178101722849&hvdev=c&hvlocphy=9031569&hvnetw=g&hvpos=1t1&hvqmt=e&hvrnd=11450176165531266638&hvtargid=aud-646675774026%3Akwd-3155776650&keywords=turtle+pool+float&qid=1556140811&s=gateway&sr=8-10.), Published at least as early as Apr. 24, 2019.

Youdirect—Sea Turtle Ride Swimming Pool, https://www.amazon.com/YOUDirect-Swimming-Inflatable-Floating-Children/dp/B00ZEGMWGA/ref=sr_1_11?hyadid=178101722849&hvdev=c&hvlocphy=9031569&hvnetw=g&hvpos=1t1&hvqmt=e&hvrnd=11450176165531266638&hvtargid=aud-646675774026%3Akwd-3155776650&keywords=turtle+pool+float&qid=1556140811&s=gateway&sr=8-11, Published at least as early as Apr. 24, 2019.

Bestway—H2OGO! Turtle Ride on Inflatable Pool Float, https://www.amazon.com/H2OGO-Turtle-Ride-Inflatable-Float/dp/B000QF5HAM/ref=sr_1_7?hvadid=178101722849&hvdev=c&hvlocphy=9031569&hvnetw=g&hvpos=1t1&hvqmt=e&hvrnd=11450176165531266638&hvtargid=aud-646675774026%3Akwd-3155776650&keywords=turtle+pool+float&qid=1556140811&s=gateway&sr=8-7, Published at least as early as Apr. 24, 2019.

* cited by examiner

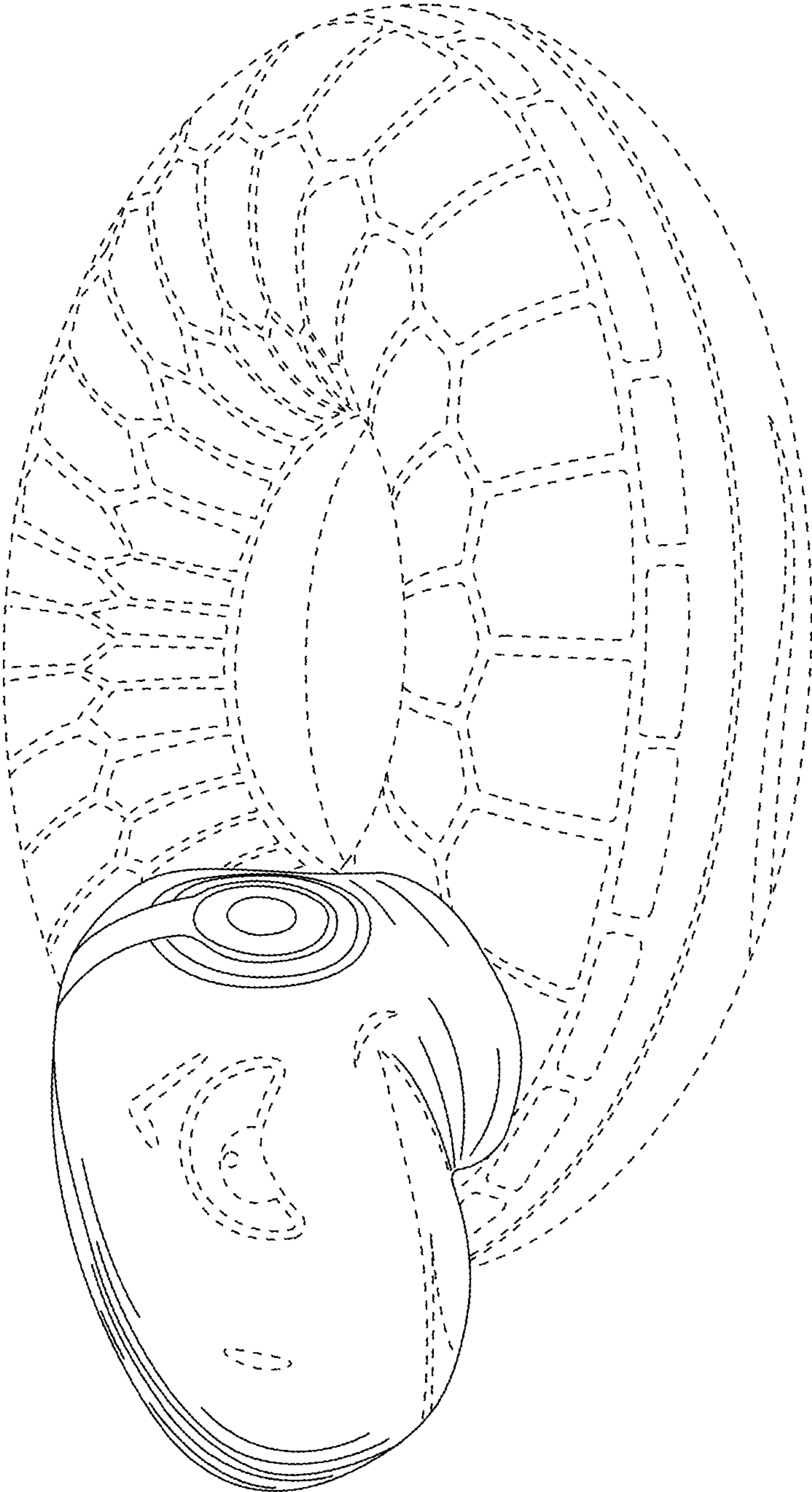


FIG. 1

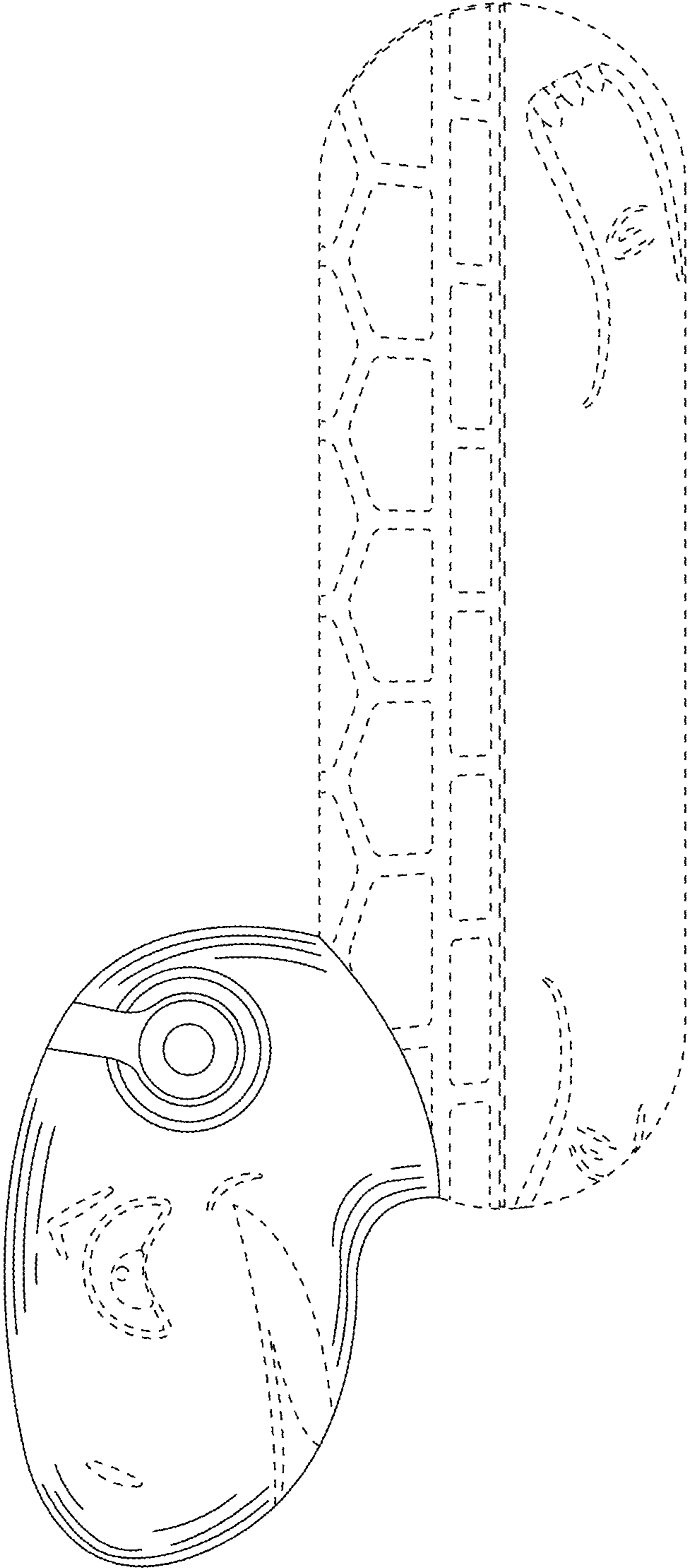


FIG. 2

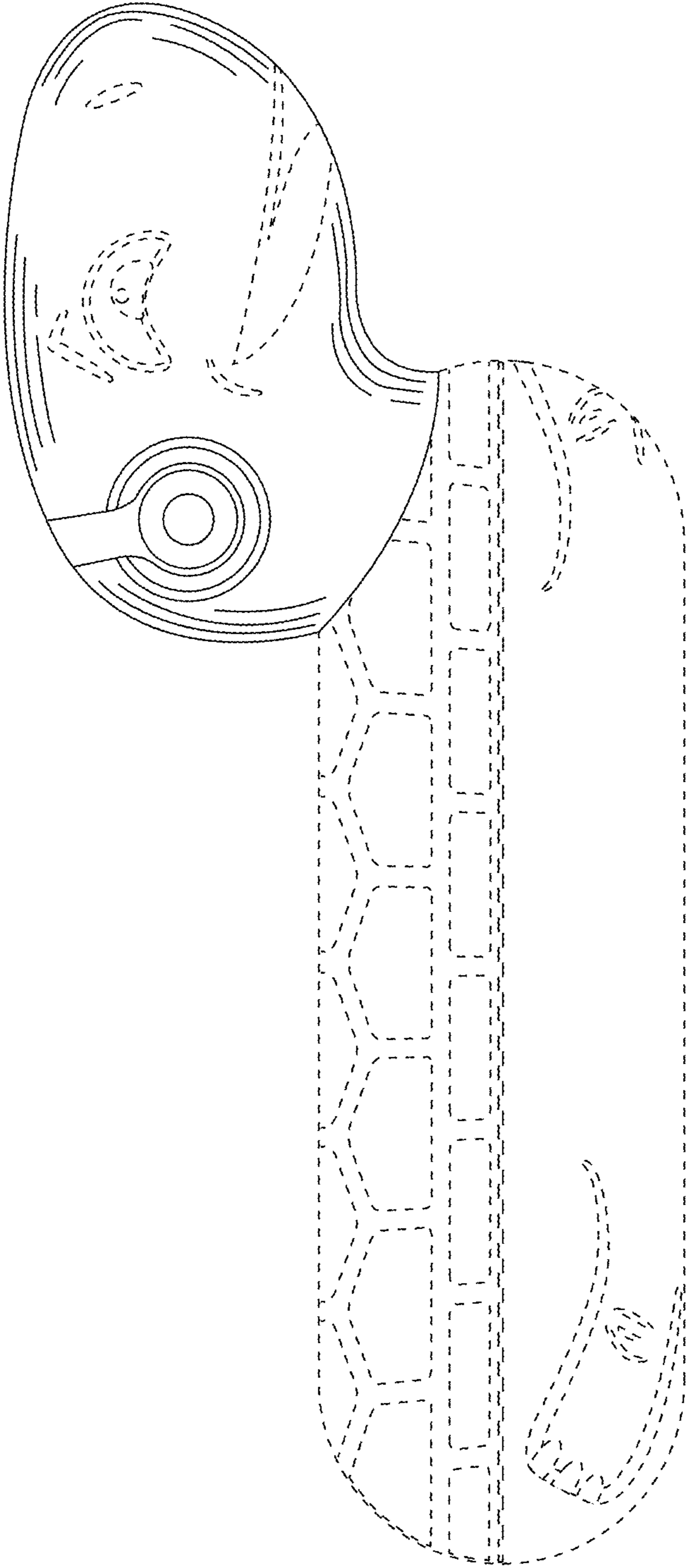


FIG. 3

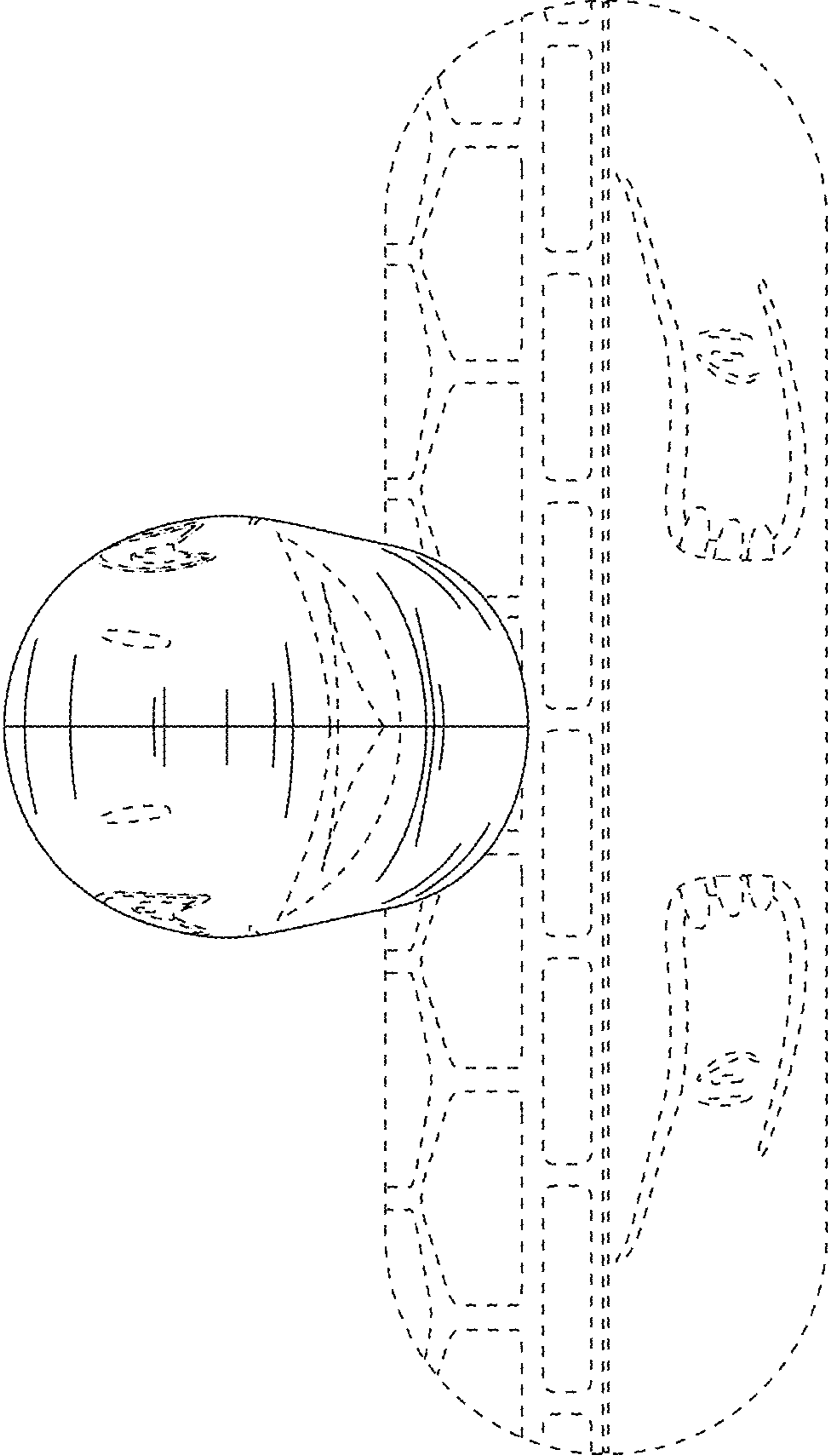


FIG. 4

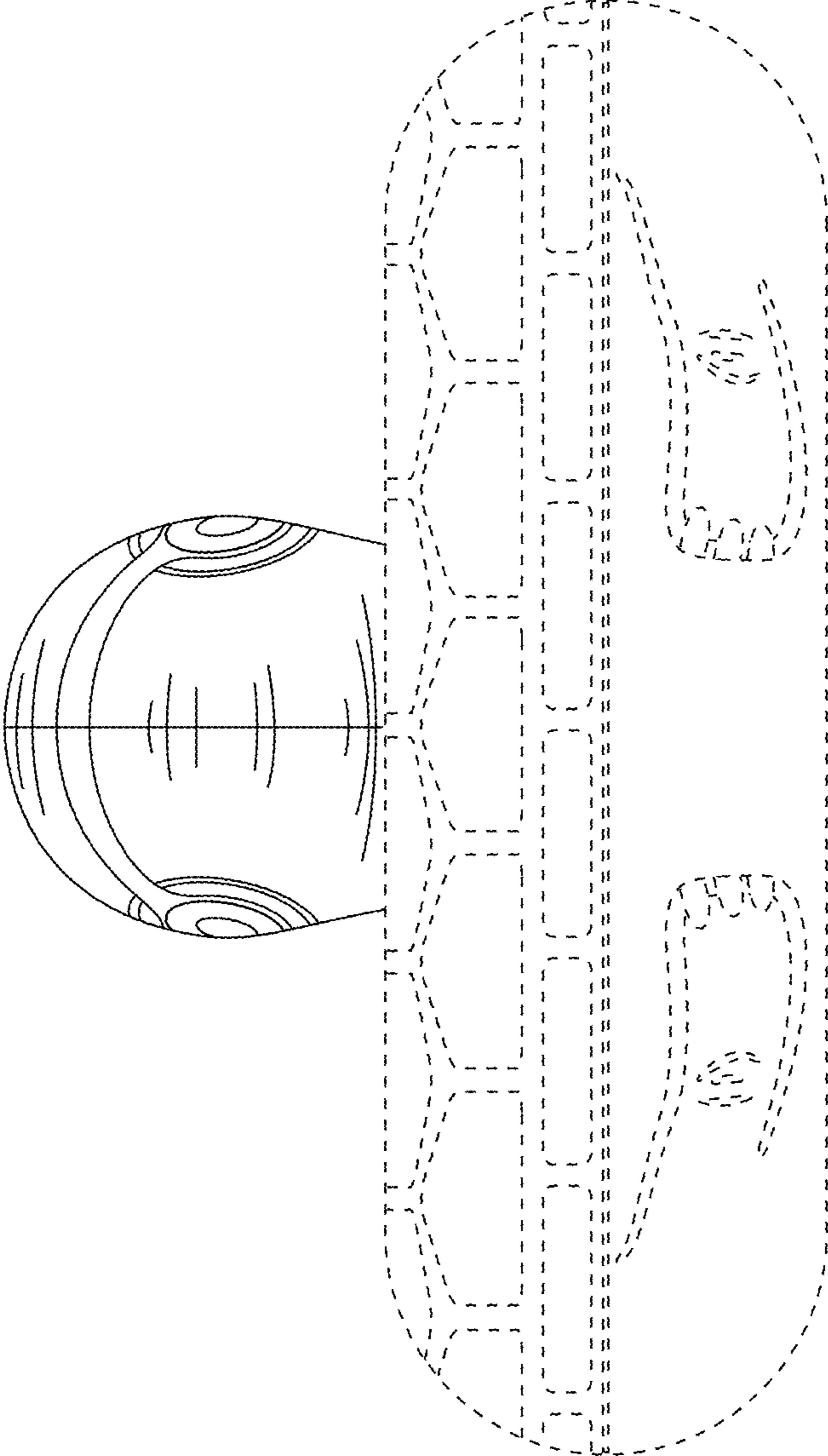


FIG. 5

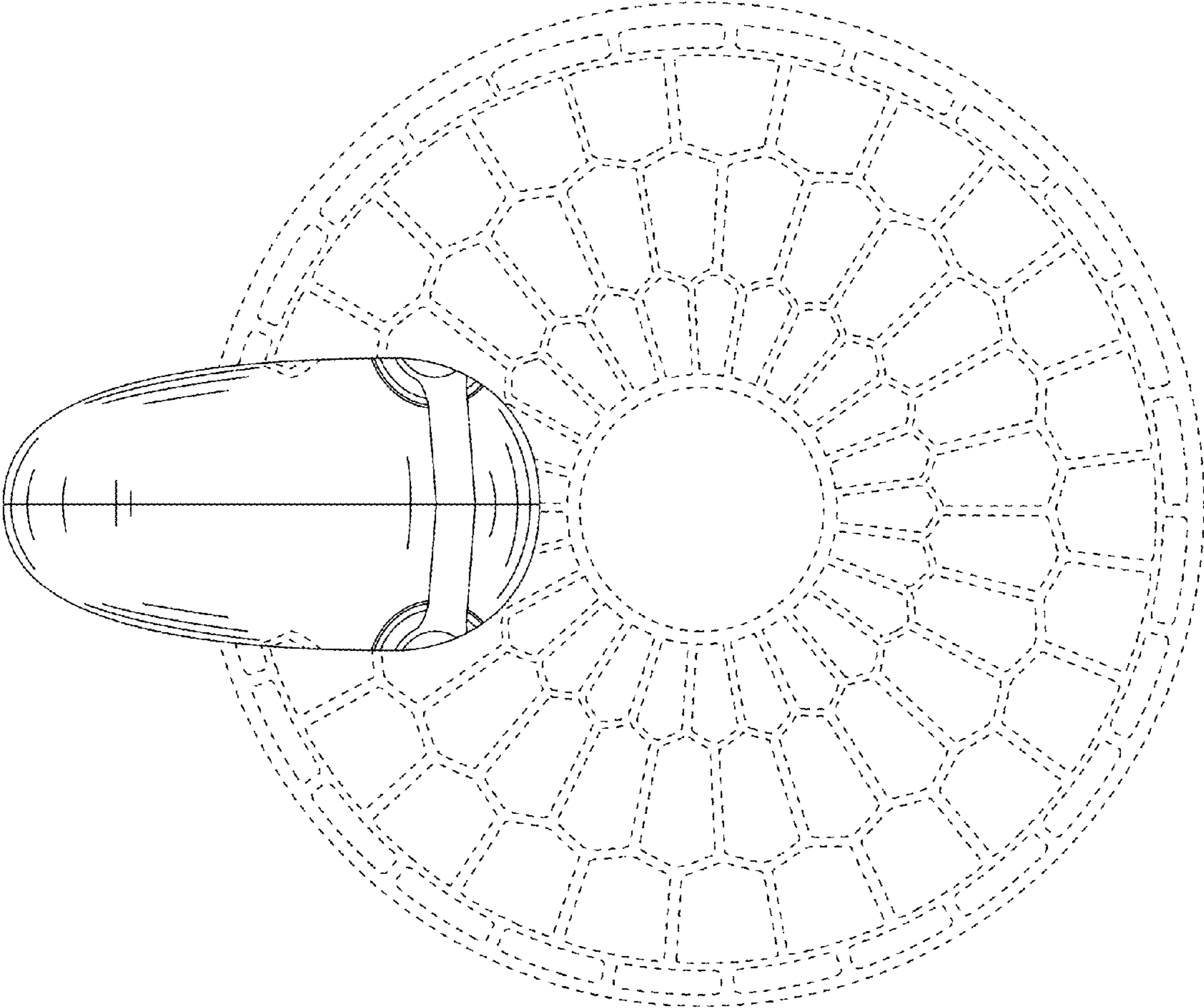


FIG. 6

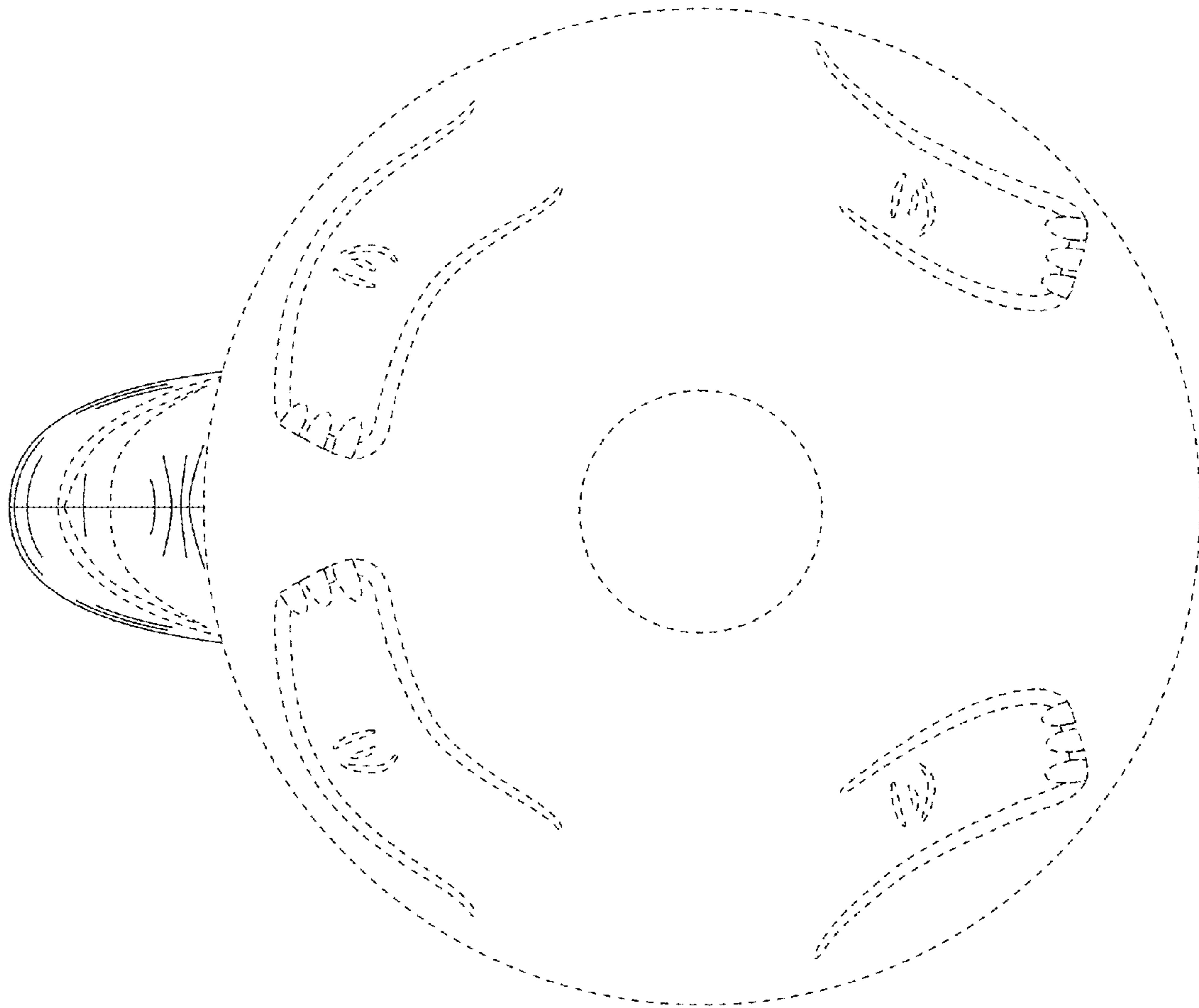


FIG. 7