



US00D923125S

(12) **United States Design Patent**  
**Anastasia**

(10) **Patent No.:** **US D923,125 S**  
(45) **Date of Patent:** **\*\* Jun. 22, 2021**

- (54) **INFLATABLE WATER SLIDE**
- (71) Applicant: **Super Sweet Air, Inc.**, Austin, TX (US)
- (72) Inventor: **Mark Richard Anastasia**, Orlando, FL (US)
- (73) Assignee: **Super Sweet Air, Inc.**, Austin, TX (US)
- (\*\*) Term: **15 Years**
- (21) Appl. No.: **29/621,946**
- (22) Filed: **Oct. 12, 2017**

**Related U.S. Application Data**

- (63) Continuation-in-part of application No. 29/540,043, filed on Sep. 21, 2015, now abandoned.
- (51) **LOC (13) Cl.** ..... **21-02**
- (52) **U.S. Cl.**  
USPC ..... **D21/803; D21/808; D29/124**
- (58) **Field of Classification Search**  
USPC ..... D21/646, 769–771, 778, 792, 801, D21/803–810, 814, 818–819  
CPC .. A41D 13/0518; A63B 2208/03; B63B 21/66  
See application file for complete search history.

(56) **References Cited**

**U.S. PATENT DOCUMENTS**

3,263,994	A *	8/1966	Londgren	.....	A63G 21/00 472/116
3,669,217	A *	6/1972	Fisher	.....	B64D 25/14 182/48
3,811,534	A *	5/1974	Fisher	.....	A62B 1/20 182/48
4,343,464	A *	8/1982	Dose	.....	A63G 21/00 190/1
D400,948	S *	11/1998	Fish, Jr.	.....	D21/818
D522,082	S *	5/2006	Peterson	.....	D21/818
D556,288	S *	11/2007	Robinson	.....	D21/815

D597,624	S *	8/2009	Boulton	.....	D21/819
7,789,804	B1 *	9/2010	Phillips	.....	A63B 69/18 482/35
D815,709	S *	4/2018	Wang	.....	D21/818

(Continued)

**OTHER PUBLICATIONS**

“FunAir—superyacht toys including our yacht slide, climbing wall and Floating Island” Feb. 26, 2016, YouTube, site visited Mar. 23, 2020: [https://youtu.be/8xh5Mdm\\_vdw](https://youtu.be/8xh5Mdm_vdw) (Year: 2016).\*

*Primary Examiner* — Michael C Stout  
*Assistant Examiner* — Melvin L Davis  
(74) *Attorney, Agent, or Firm* — DuBois, Bryant & Campbell, LLP; William D. Wiese

(57) **CLAIM**

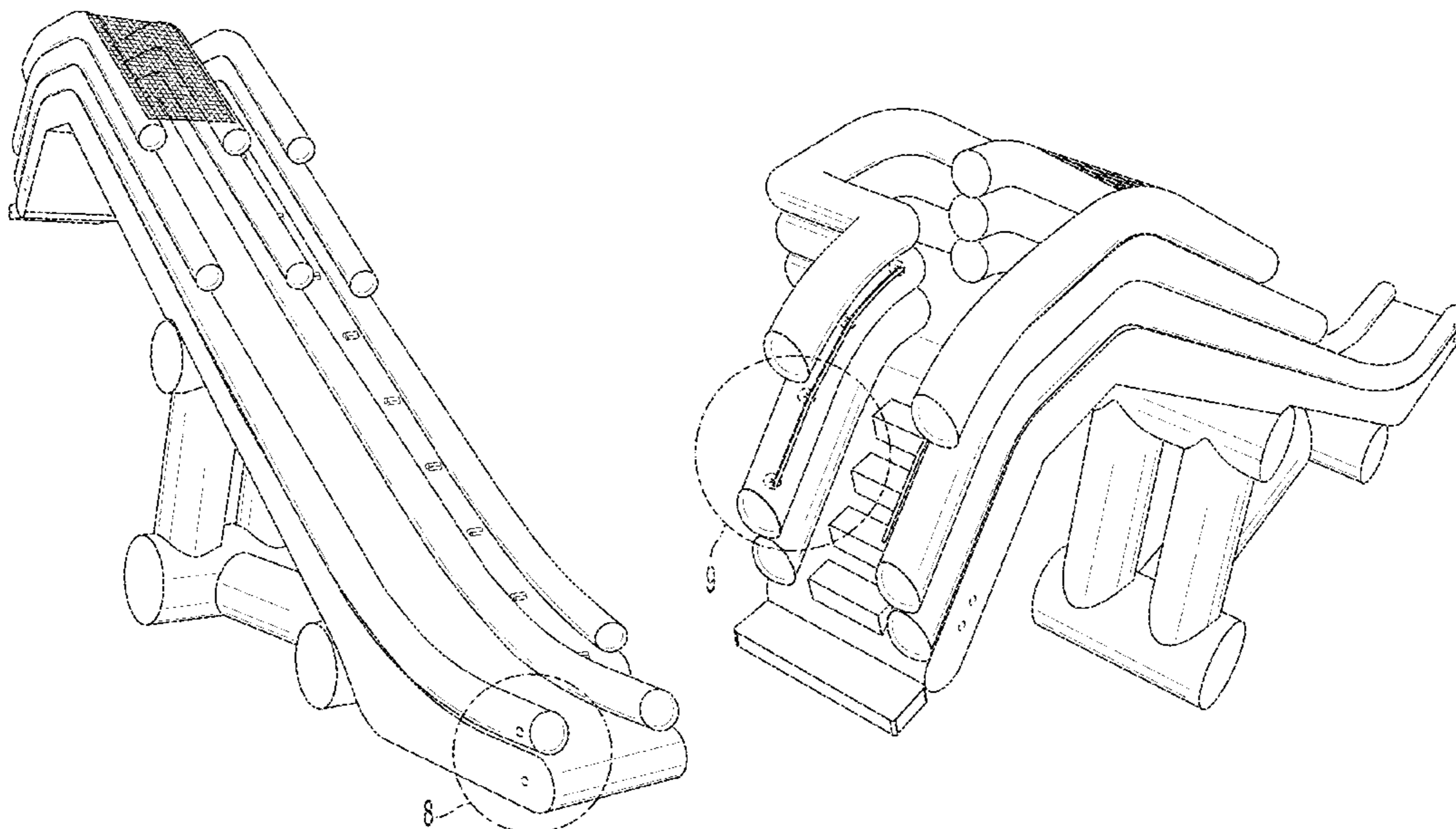
The design for an inflatable water slide, as shown and described.

**DESCRIPTION**

FIG. 1 is a perspective view of the inflatable slide of the present invention as seen from the front left corner; FIG. 2 is a perspective view thereof as seen from the right rear corner; FIG. 3 is a left elevational view thereof; FIG. 4 is a front elevational view thereof; FIG. 5 is a top plan view thereof; FIG. 6 is a perspective view thereof as seen from the right front corner; FIG. 7 is a perspective thereof as seen from the left rear corner; FIG. 8 is an enlarged perspective view of a portion of FIG. 1; and, FIG. 9 is an enlarged perspective view of a portion of FIG. 2.

The dot-dash lines shown in FIGS. 1, 2, 8, and 9 show the bounds of the enlarged views of 8 and 9.

**1 Claim, 9 Drawing Sheets**



(56)

**References Cited**

U.S. PATENT DOCUMENTS

D825,016 S	*	8/2018	Wang	.....	D21/818
D857,830 S	*	8/2019	Wang	.....	D21/818
D862,628 S	*	10/2019	Wang	.....	D21/818

\* cited by examiner

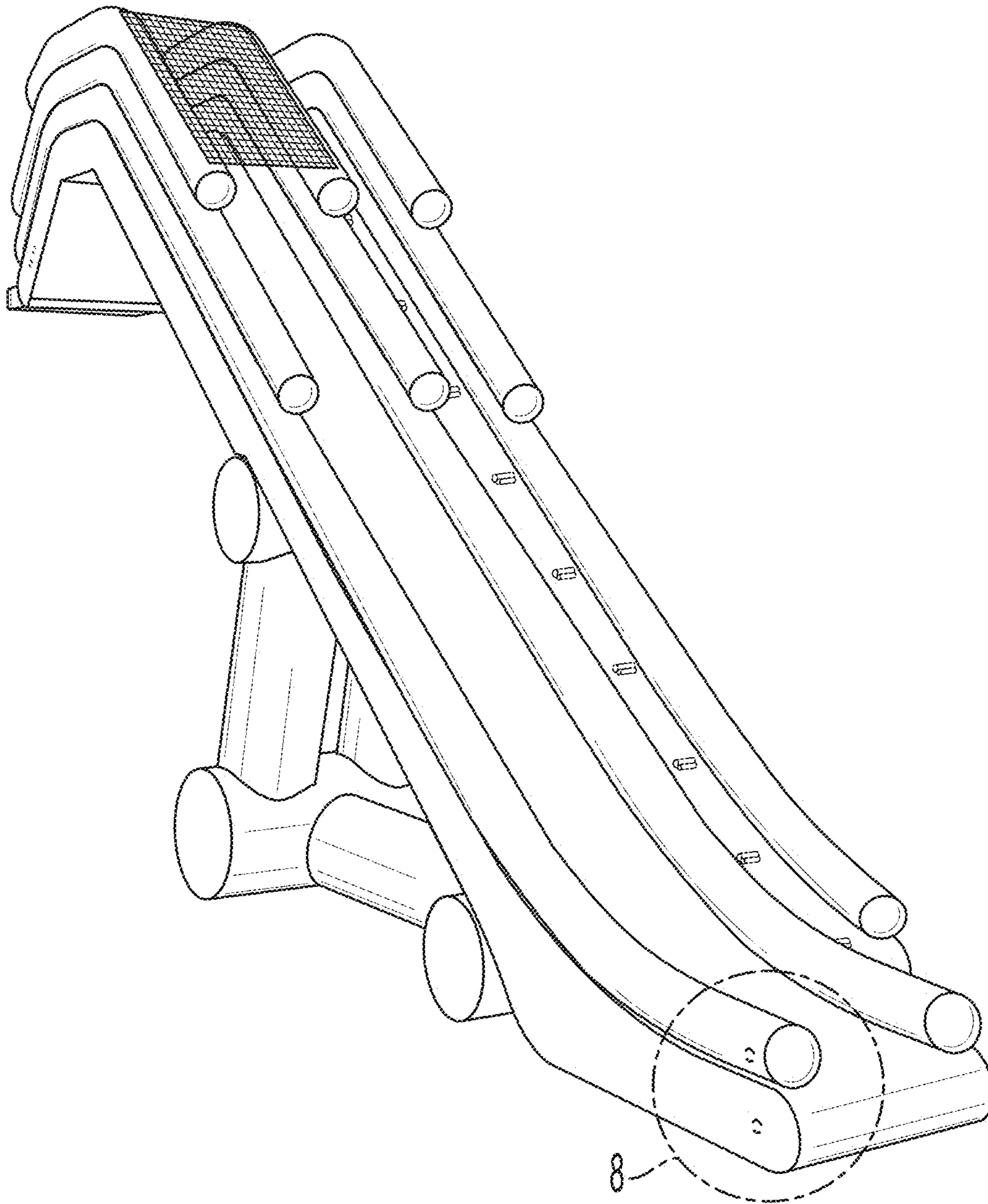


FIG. 1

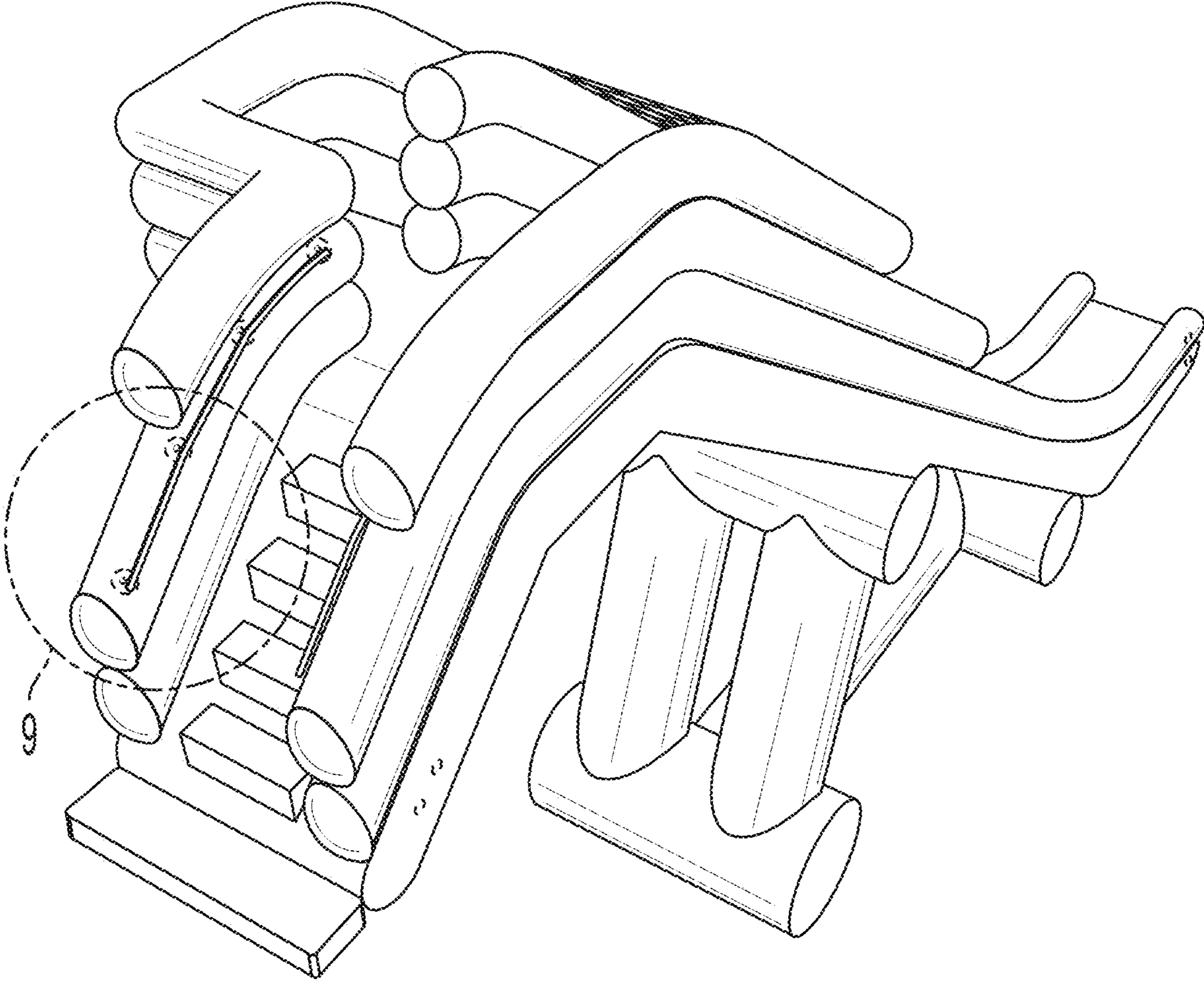


FIG. 2

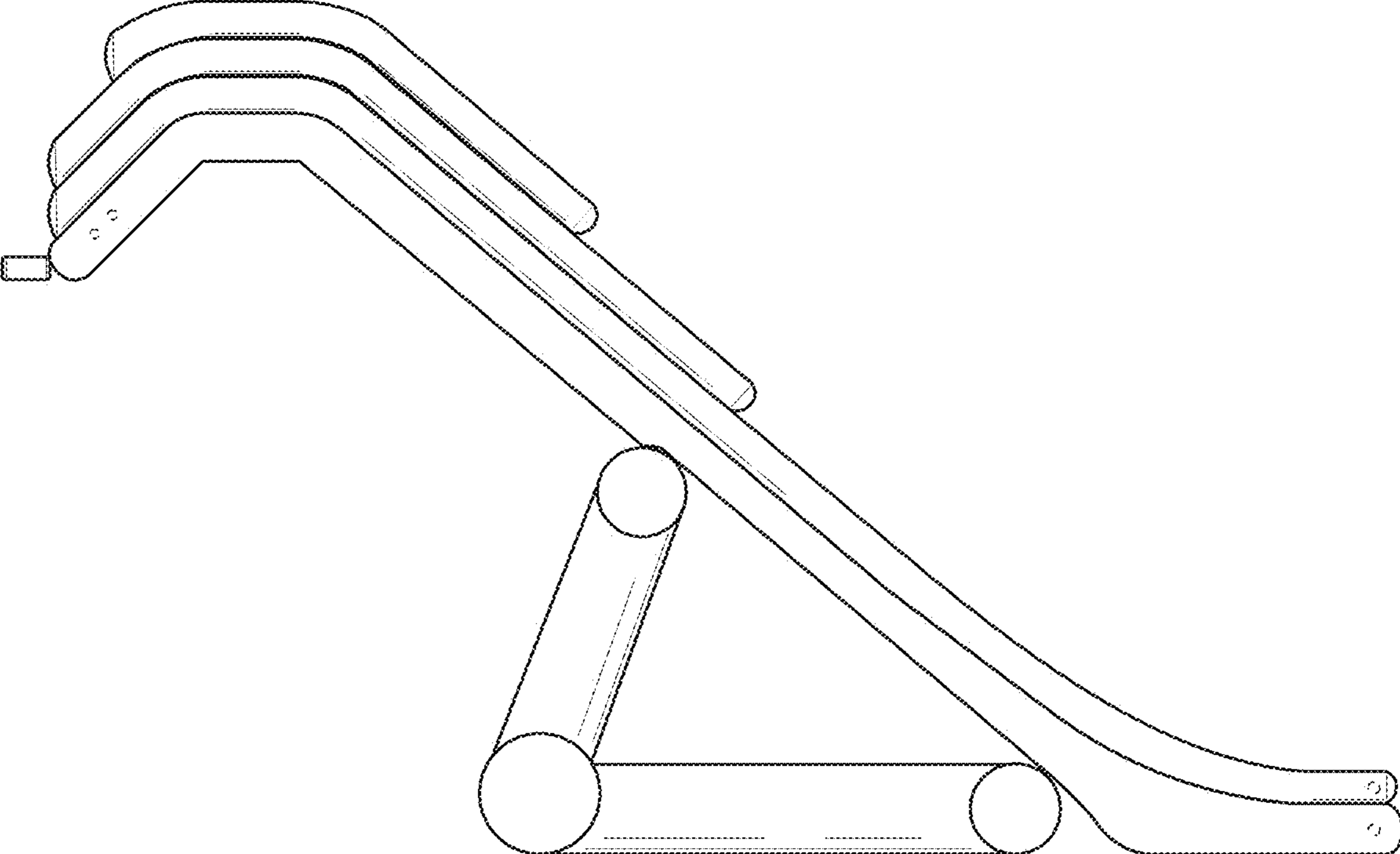


FIG. 3

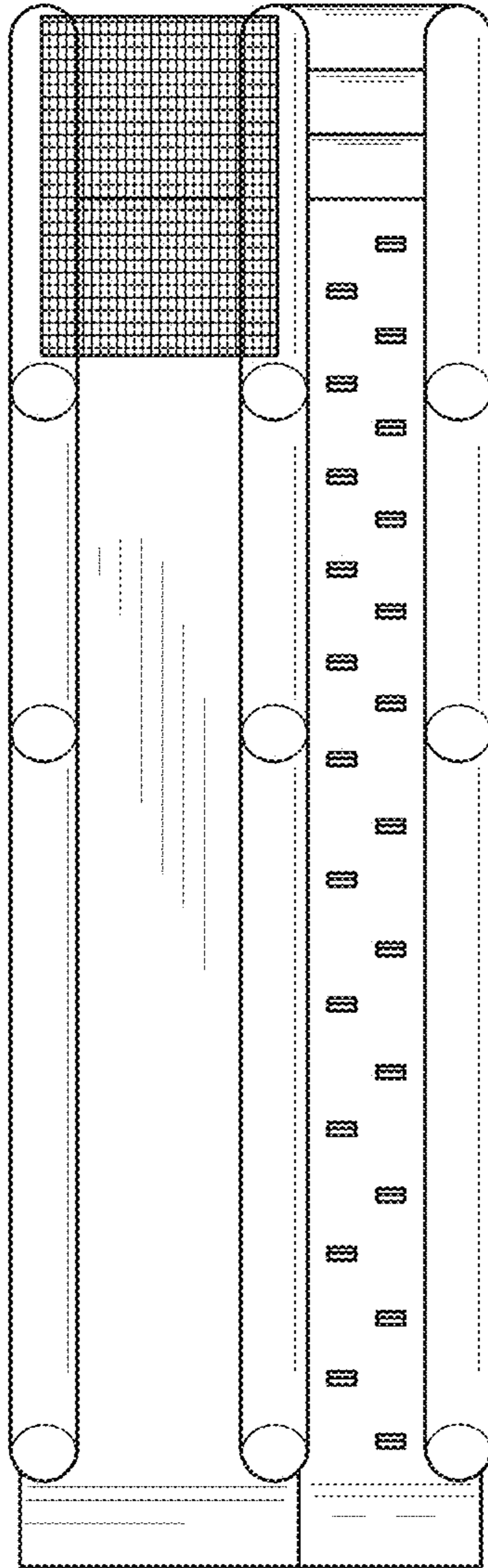


FIG. 4

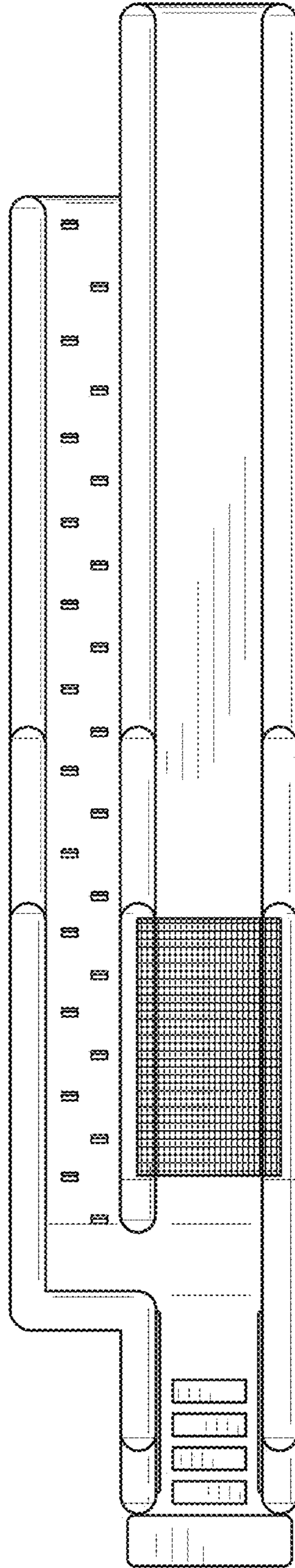


FIG. 5

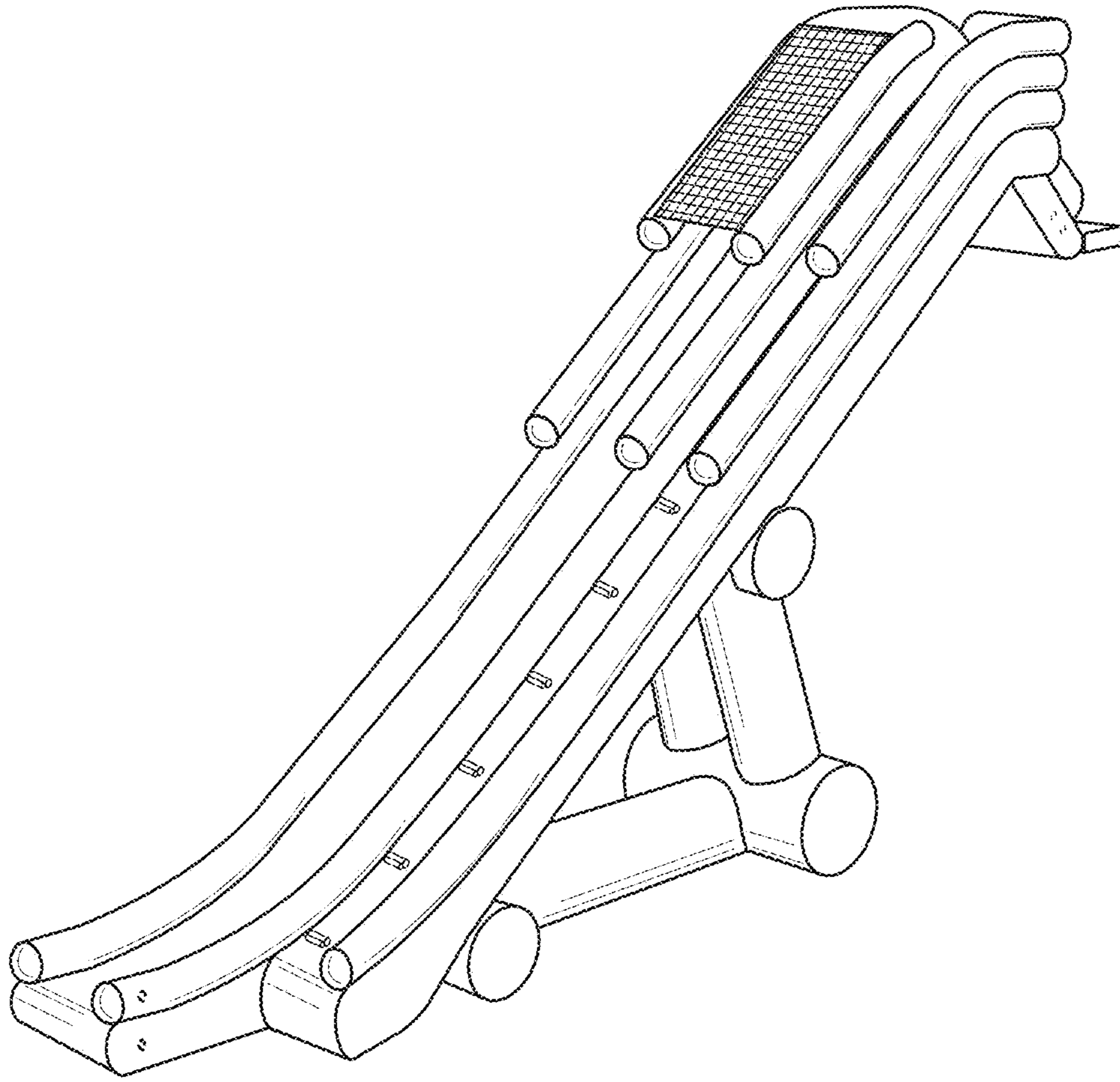


FIG. 6



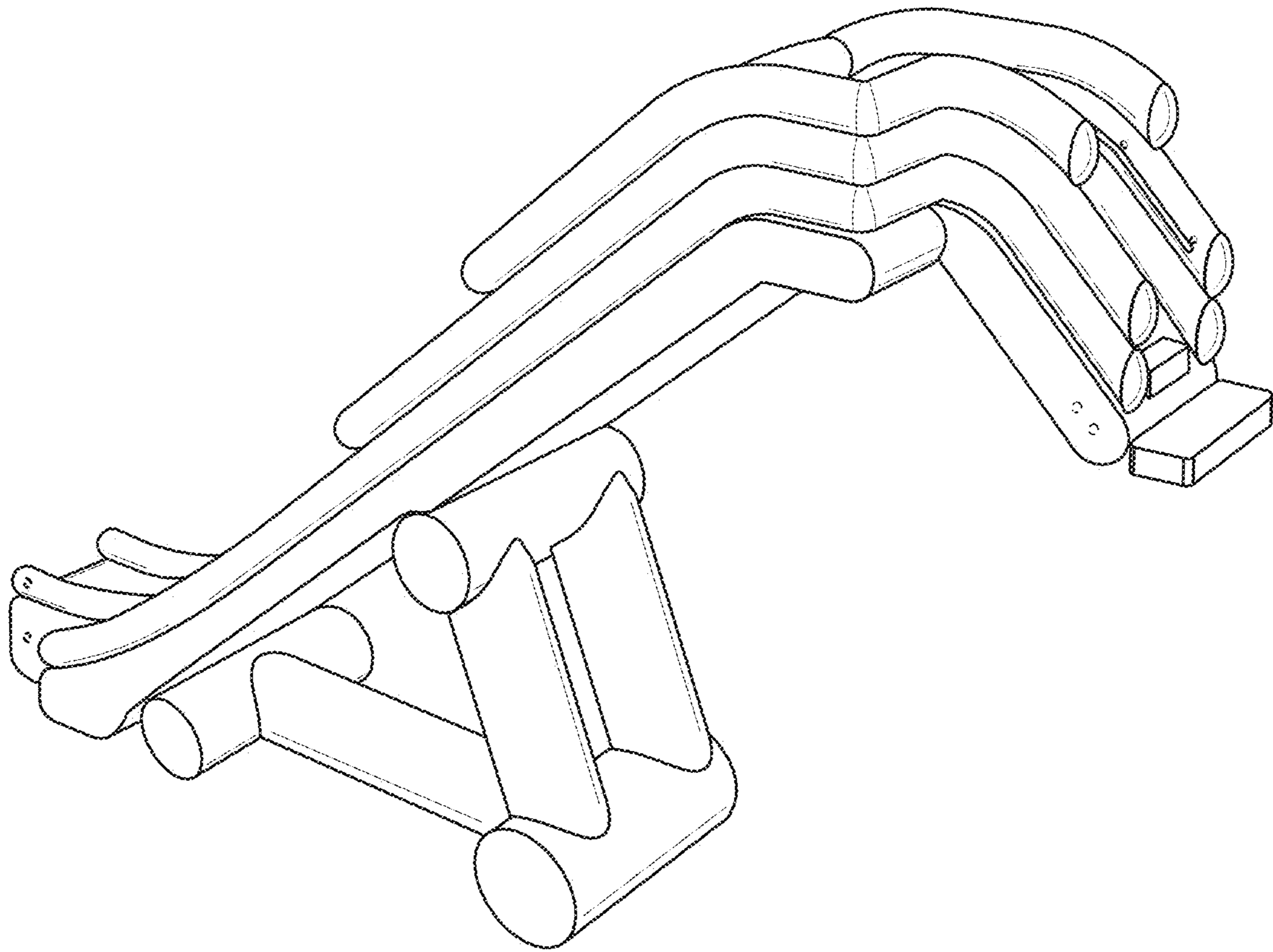
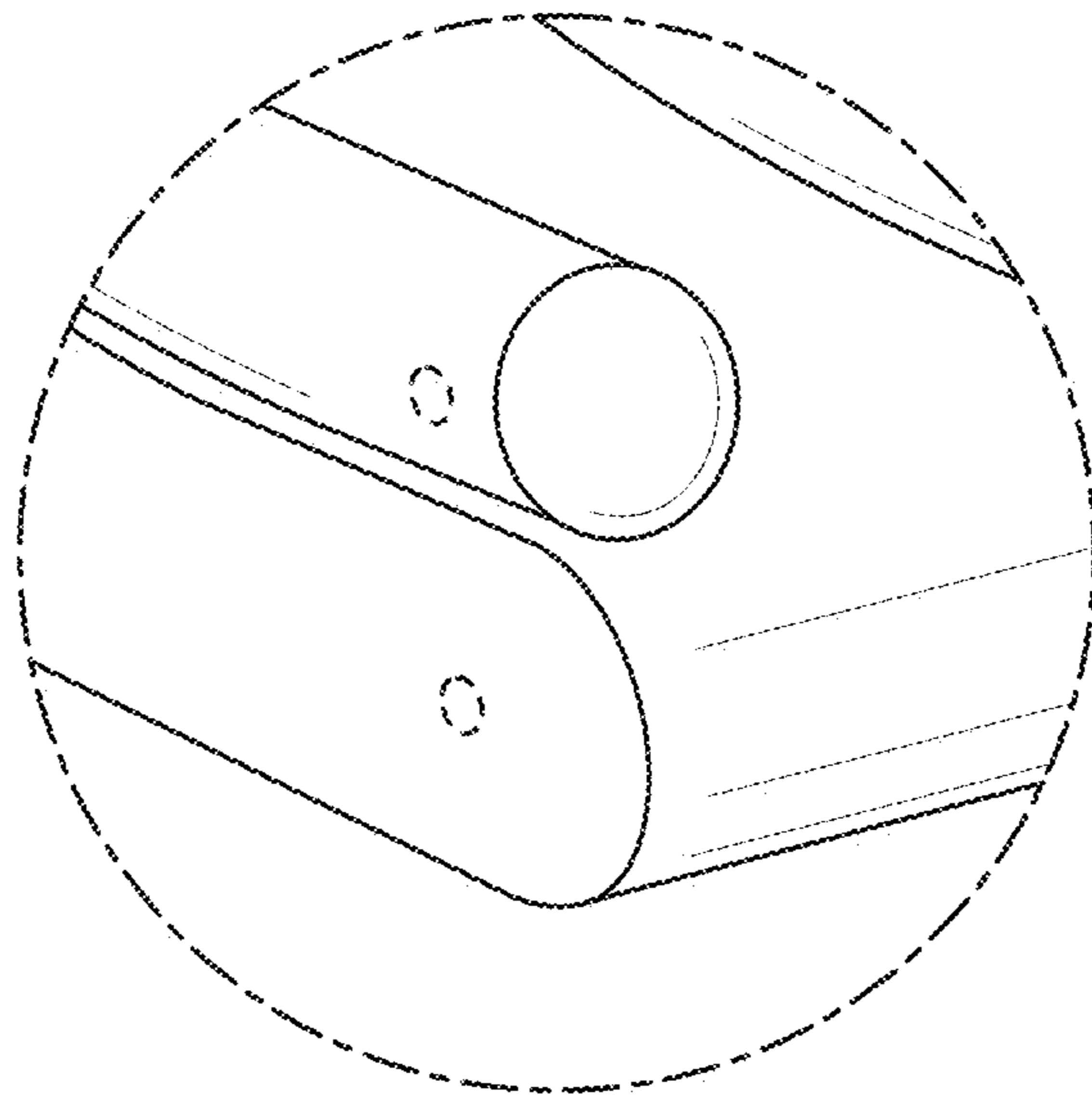


FIG. 7



*FIG. 8*

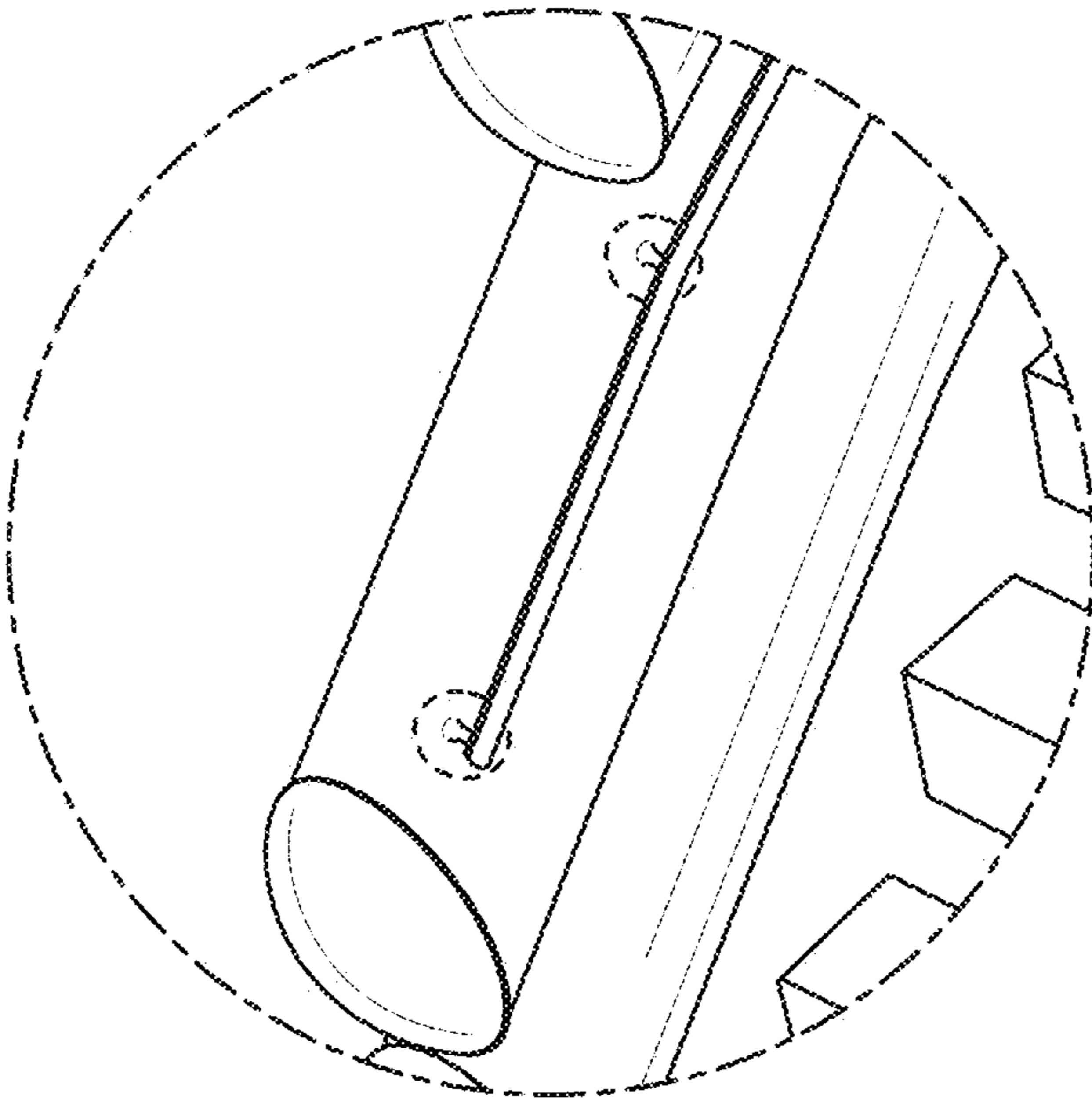


FIG. 9