



US00D923123S

(12) **United States Design Patent**
Krivak et al.

(10) **Patent No.:** **US D923,123 S**
(45) **Date of Patent:** **** Jun. 22, 2021**

(54) **BALL PASSING DEVICE**

(71) Applicant: **Robo Point Guard LLC**, League City, TX (US)

(72) Inventors: **William Krivak**, League City, TX (US); **Steven Moon**, Valencia, CA (US)

(73) Assignee: **Robo Point Guard LLC**, League City, TX (US)

(**) Term: **15 Years**

(21) Appl. No.: **29/703,375**

(22) Filed: **Aug. 27, 2019**

(51) **LOC (13) Cl.** **21-02**

(52) **U.S. Cl.**
USPC **D21/720; D21/781**

(58) **Field of Classification Search**
USPC D21/698, 704, 715, 720, 722, 780, 781, D21/799.1, 799.2; D6/552; D30/160; 473/431-433, 436, 447, 459, 472, 475, 473/503, 569
CPC A63B 47/002; A63B 47/025; A63B 2047/004; A63B 2047/027; A63B 2047/028; A63B 69/0071; A63B 69/40; A63B 69/406; A63B 69/408; A63B 69/409; A63B 2069/402; A63B 2069/403; A63B 2069/404; A63B 2069/405; A63B 2243/0037; A63B 2063/001
See application file for complete search history.

(56) **References Cited**

U.S. PATENT DOCUMENTS

D351,635 S * 10/1994 Sherman D21/720
D356,842 S * 3/1995 Trapp D21/720
5,417,196 A * 5/1995 Morrison A63B 69/40
124/6
5,494,022 A * 2/1996 Sung A63B 69/408
124/1

5,619,977 A * 4/1997 Gatin A63B 69/408
124/16
5,676,120 A * 10/1997 Joseph A63B 69/40
124/6
D391,332 S * 2/1998 Williams D21/720
(Continued)

FOREIGN PATENT DOCUMENTS

CA 2778729 A1 * 5/2011 A63B 69/406
DE 3517412 A1 * 11/1985 A63B 69/408
(Continued)

OTHER PUBLICATIONS

Shoot-A-Way, Screen Capture of Online Advertising Material, Published at least as early as Aug. 27, 2019, www.shootaway.com, US.

(Continued)

Primary Examiner — Catherine A Tuttle
(74) *Attorney, Agent, or Firm* — Schneider IP Law LLC; Laura Ann Schneider

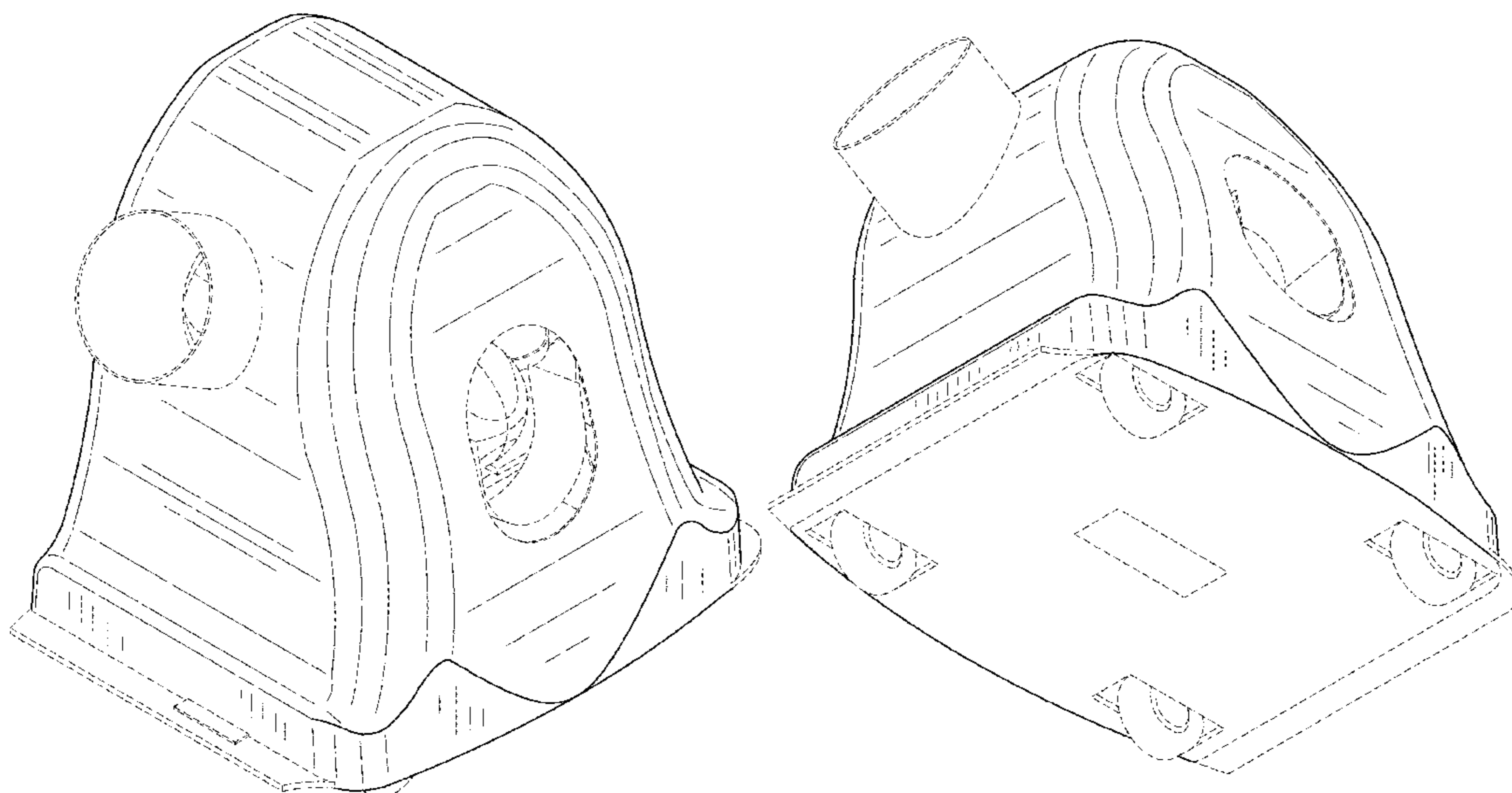
(57) **CLAIM**

The ornamental design for a ball passing device, as shown and described.

DESCRIPTION

FIG. 1 is a top perspective view of the ball passing device showing our new design;
FIG. 2 is a bottom perspective view thereof;
FIG. 3 is a front view thereof;
FIG. 4 is a back view thereof;
FIG. 5 is a right side view thereof;
FIG. 6 is a left side view thereof;
FIG. 7 is a top view thereof; and,
FIG. 8 is a bottom view thereof.
The dashed lines depict features of the ball passing device that form no part of the claimed design.

1 Claim, 8 Drawing Sheets



(56)

References Cited

U.S. PATENT DOCUMENTS

6,224,503 B1 * 5/2001 Joseph A63B 63/083
124/6
6,241,628 B1 * 6/2001 Jenkins A63B 69/0071
473/436
D456,866 S * 5/2002 Turpault D21/698
D624,976 S * 10/2010 McBride D21/698
D641,437 S * 7/2011 Nugent D21/722
8,123,634 B1 * 2/2012 Lovett A63B 63/083
473/433
9,022,016 B1 * 5/2015 Hafer F41B 4/00
124/78
9,320,960 B1 * 4/2016 Ward A01K 15/02
9,724,584 B1 * 8/2017 Campbell A63B 71/022
D869,580 S * 12/2019 Moore D21/704
10,596,436 B1 * 3/2020 Campbell A63B 69/407
D897,460 S * 9/2020 Kandic D21/722
2003/0087712 A1 * 5/2003 Nickerson A63B 69/0002
473/431
2009/0137347 A1 * 5/2009 Jenkins A63B 69/0071
473/433

2010/0261557 A1 * 10/2010 Joseph G09B 19/0038
473/433
2013/0104870 A1 * 5/2013 Rizzo A63B 69/40
124/78
2013/0228138 A1 * 9/2013 Hamill A01K 15/025
119/707
2014/0274481 A1 * 9/2014 Harruna A63B 69/40
473/431
2017/0326414 A1 * 11/2017 York A63B 63/08

FOREIGN PATENT DOCUMENTS

FR 2989901 A1 * 11/2013 A63B 67/18
JP D1388478 * 5/2010
JP D1388480 * 5/2010
WO WO-2015120492 A2 * 8/2015 A63B 63/06

OTHER PUBLICATIONS

Airborne Athletics, Screen Capture of Online Advertising Material, www.drdishbasketball.com, Published at least as early as Aug. 27, 2019, U.S.

* cited by examiner

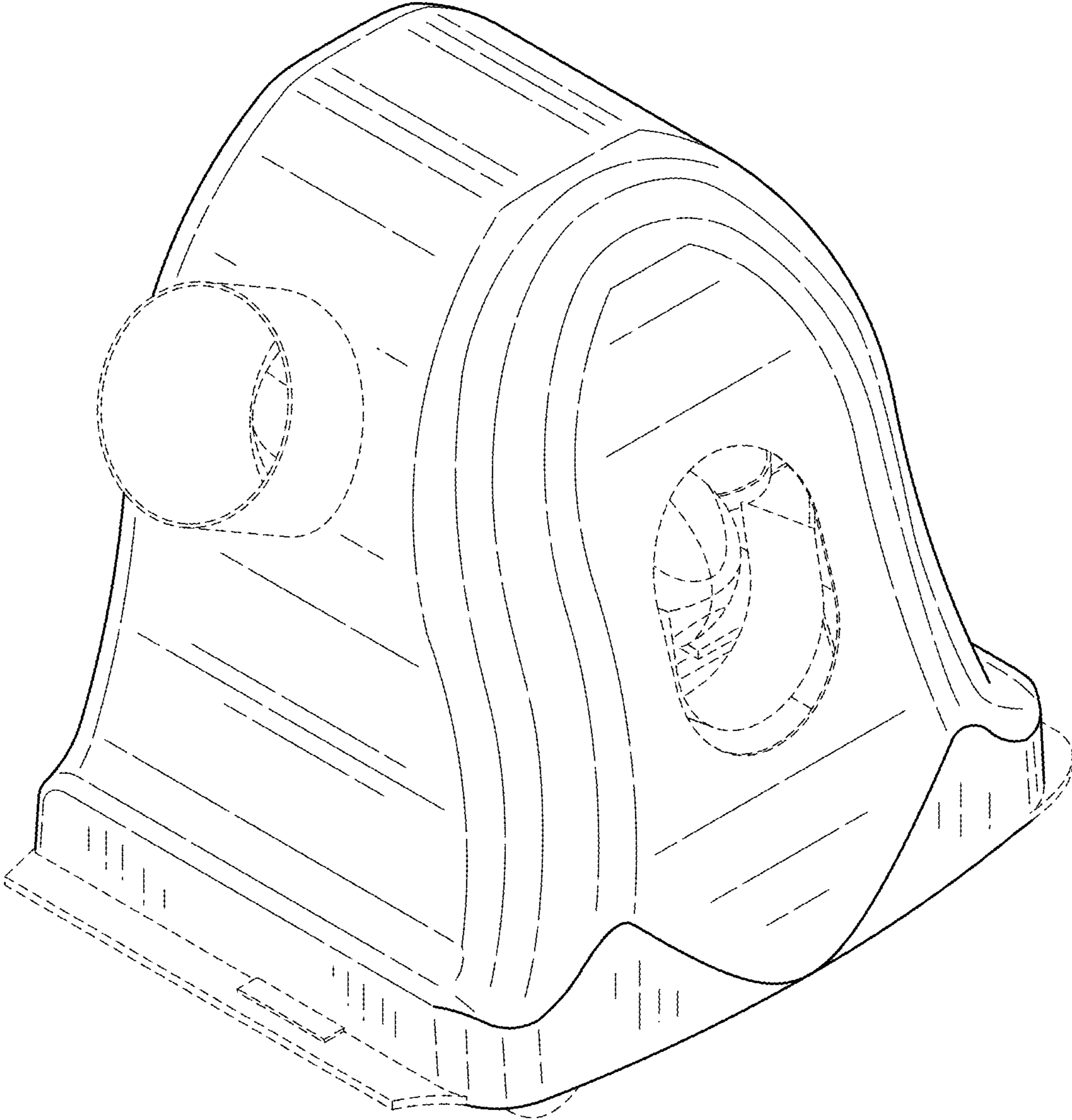


FIG.1

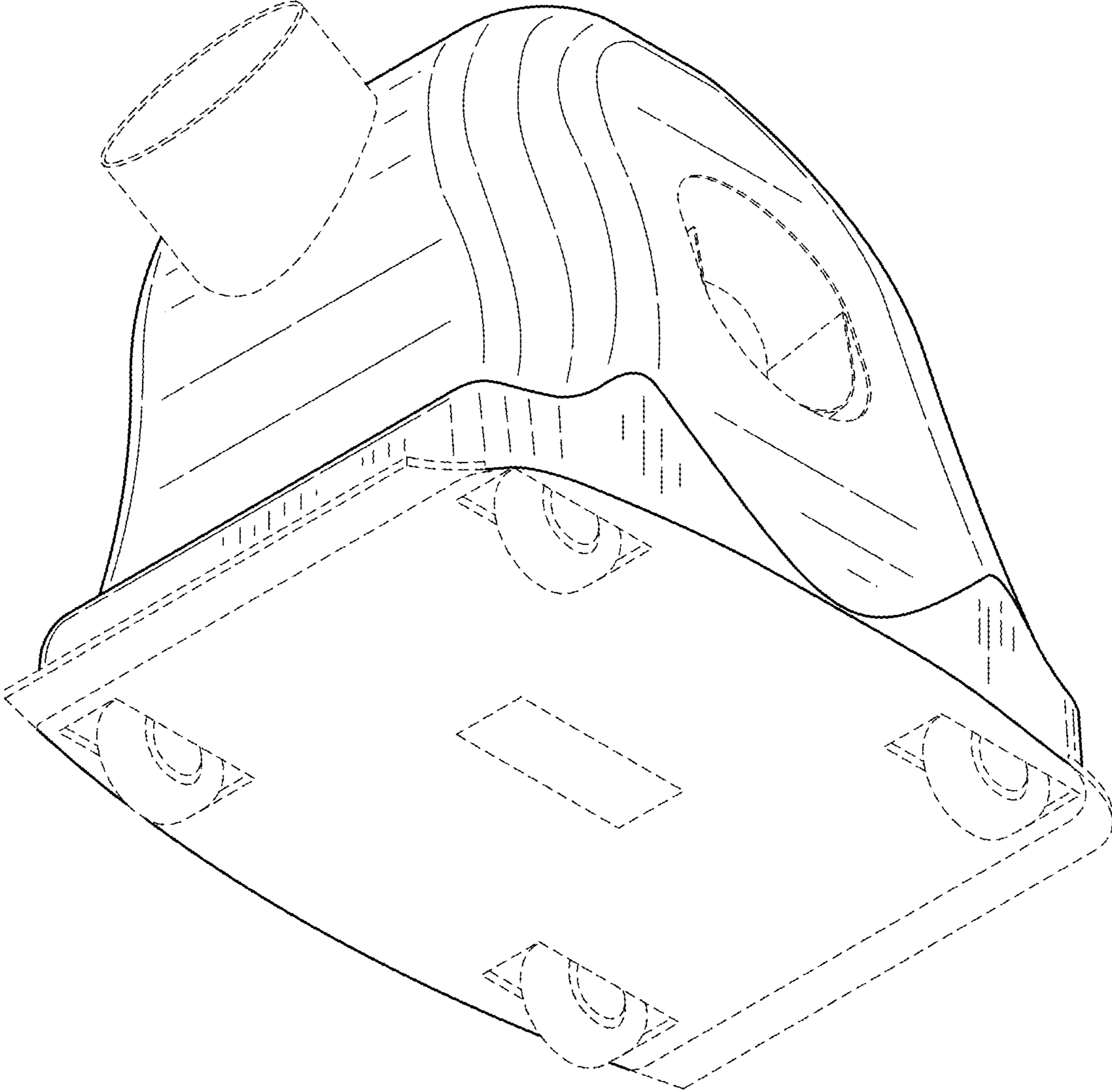


FIG.2

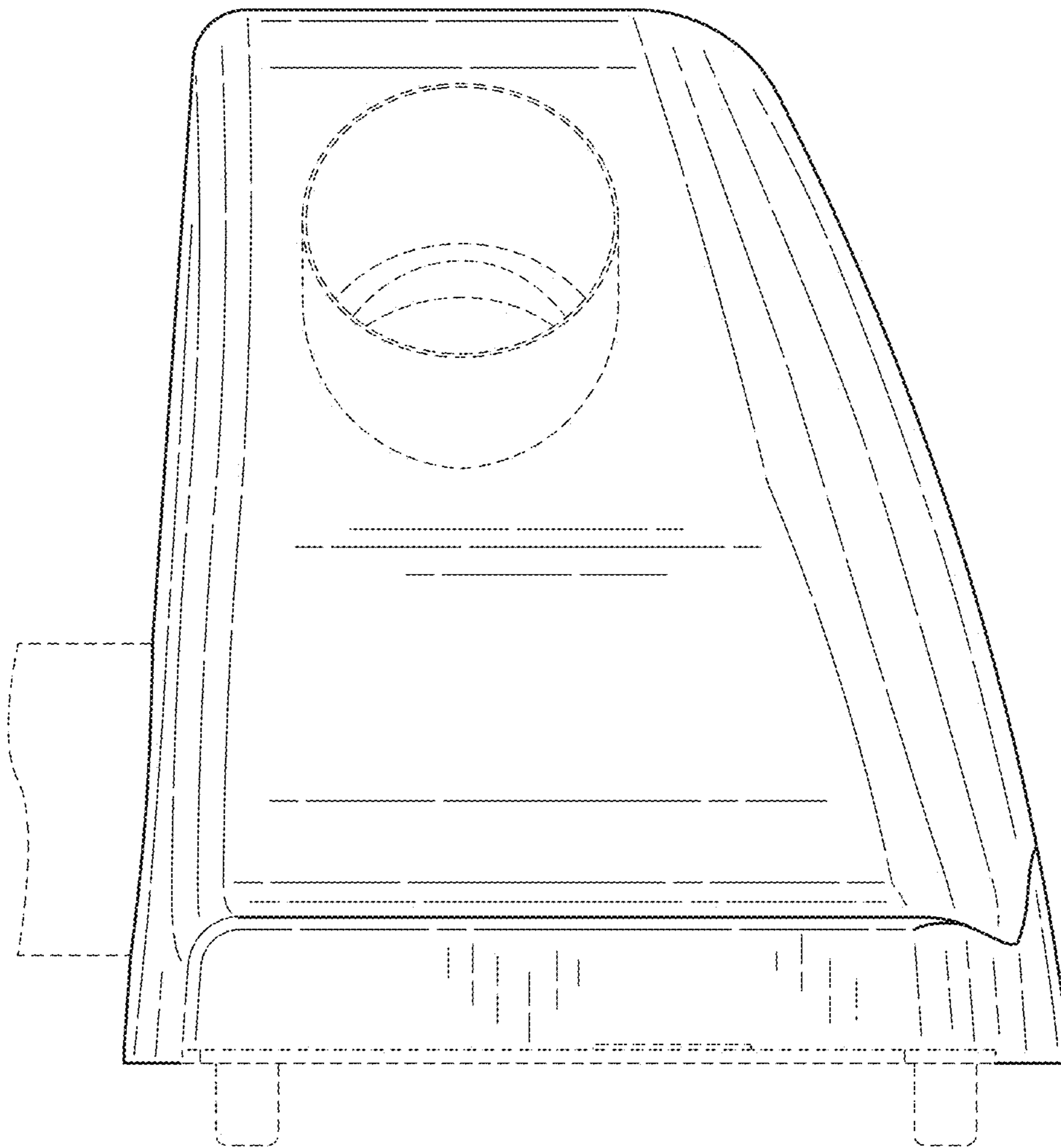


FIG.3

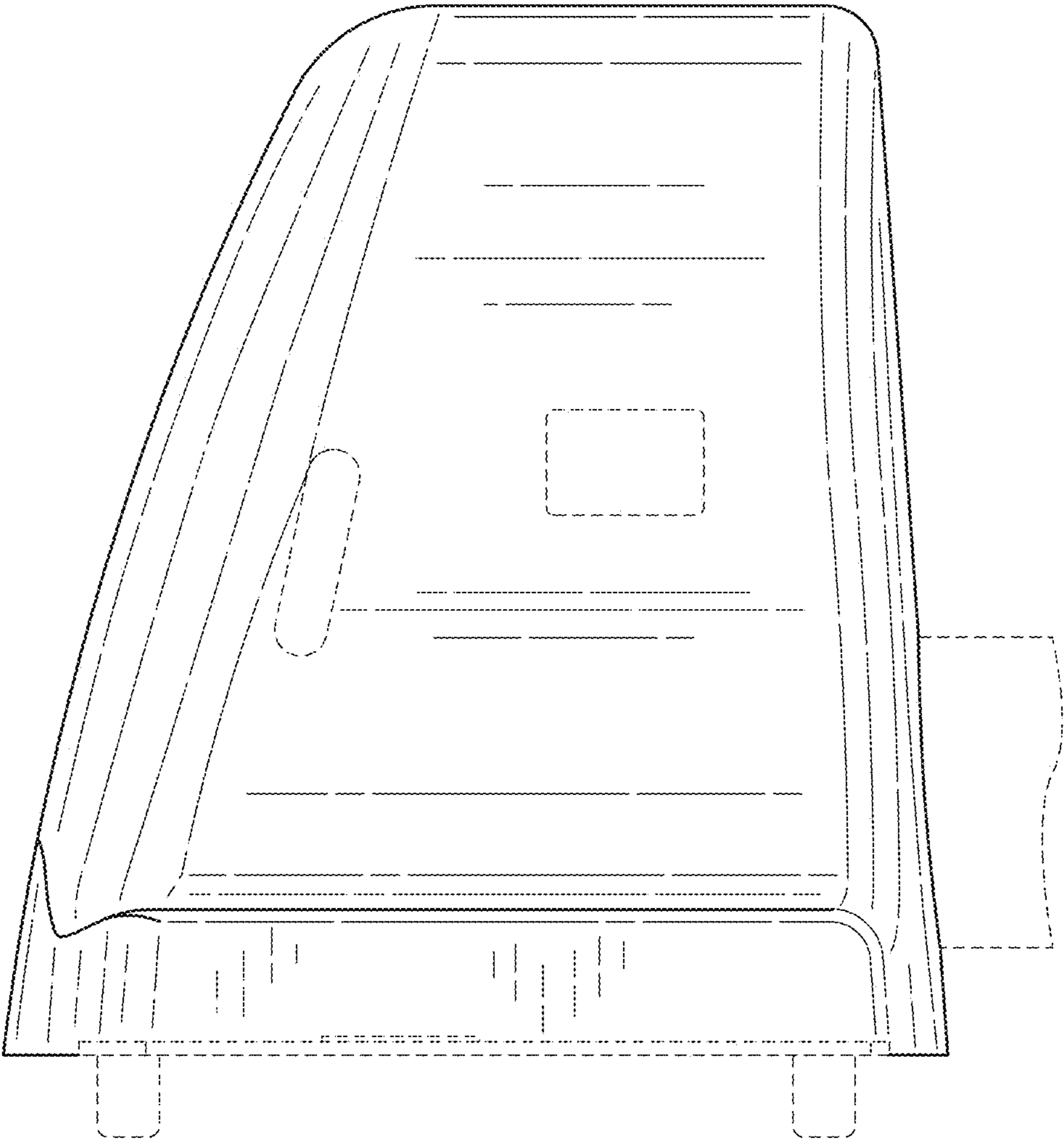


FIG.4

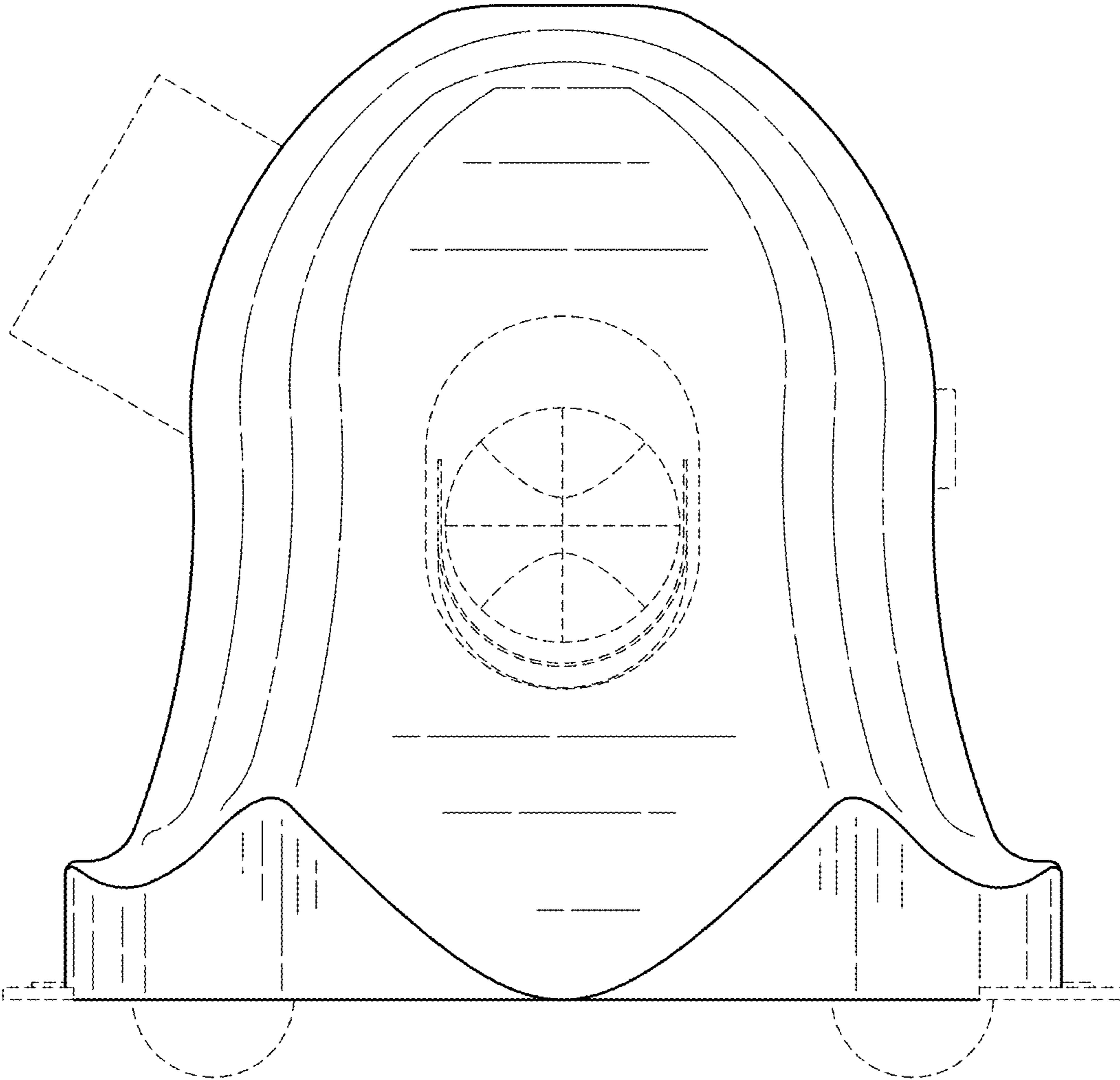


FIG.5

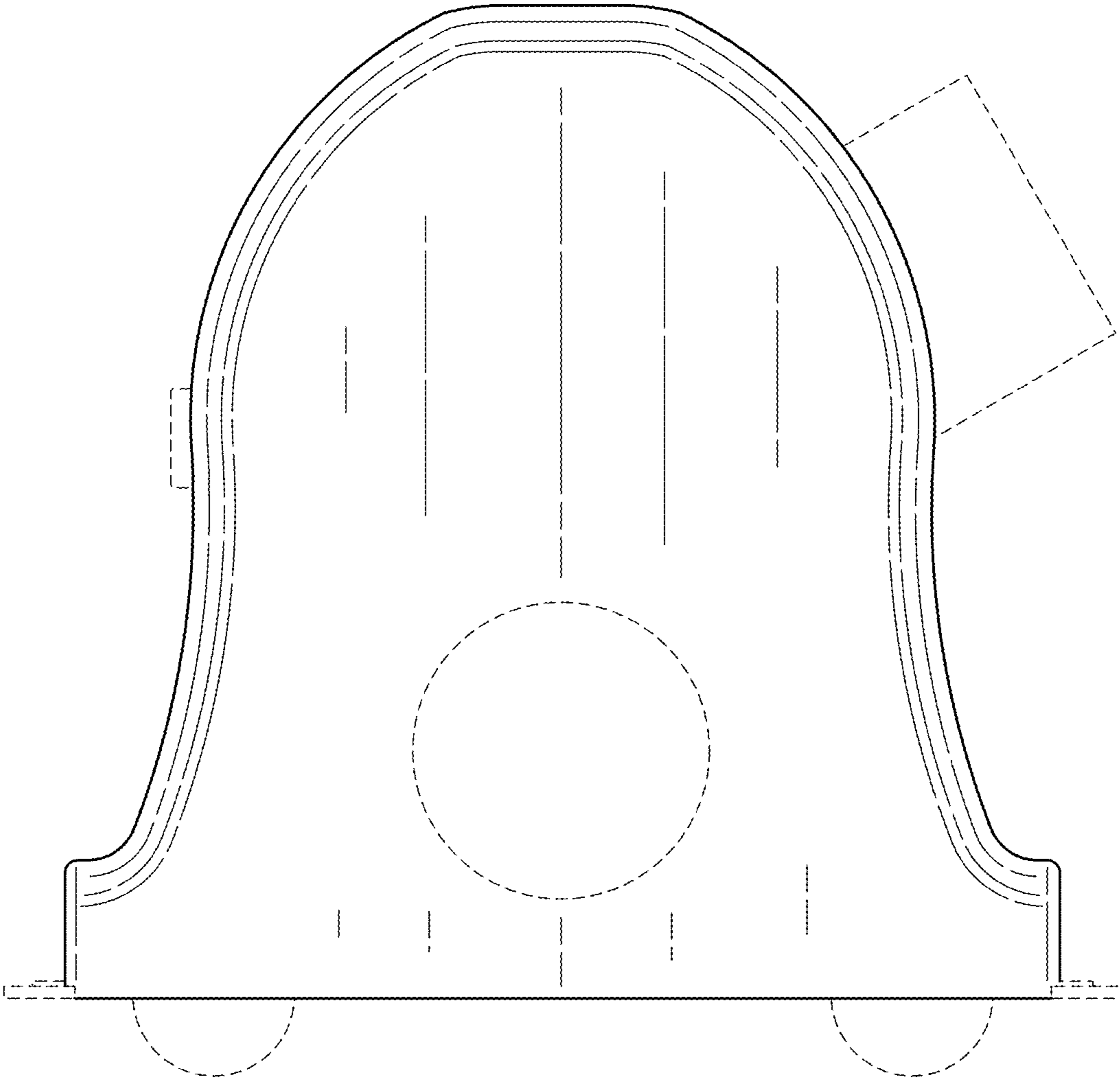


FIG.6

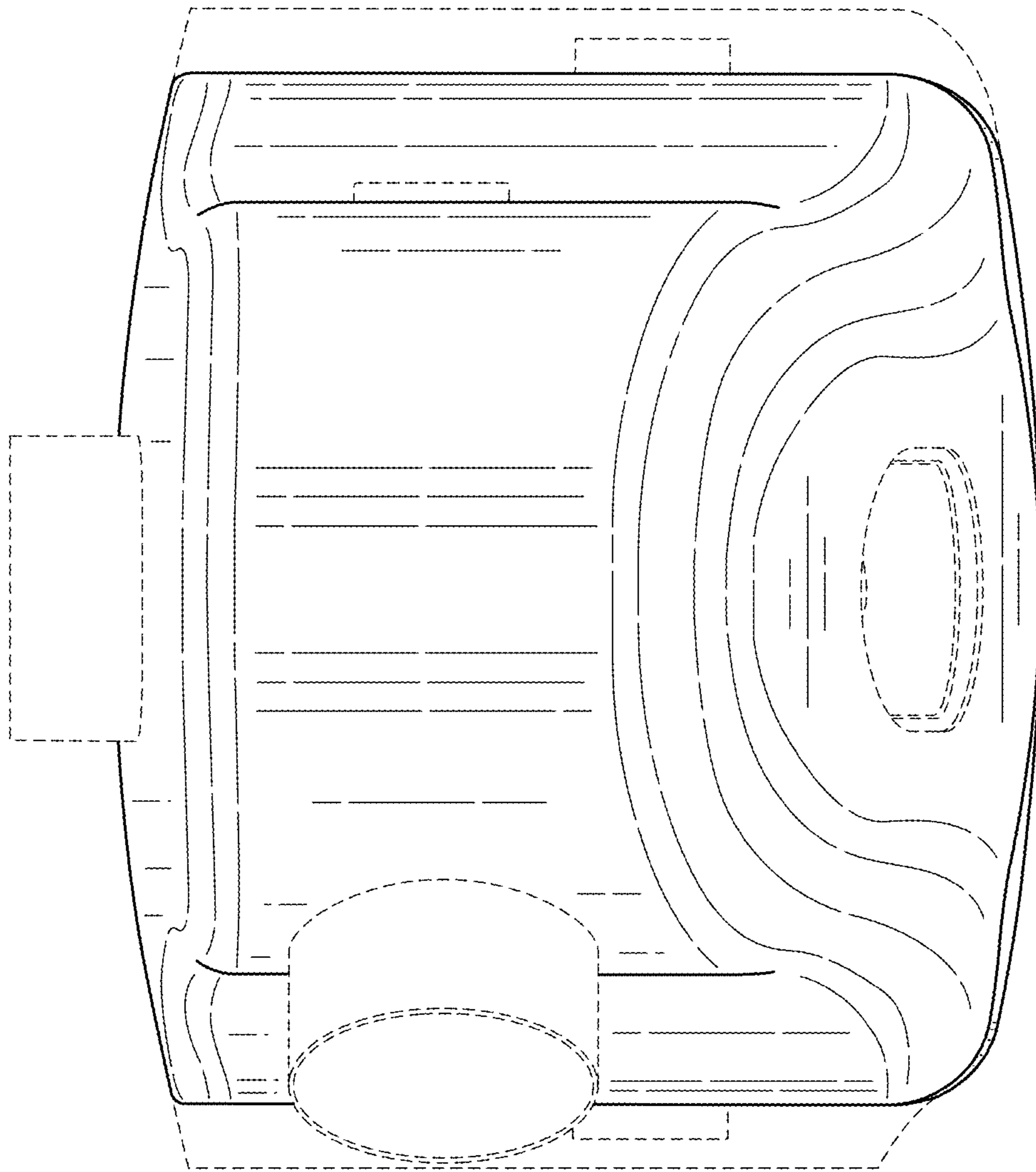


FIG.7

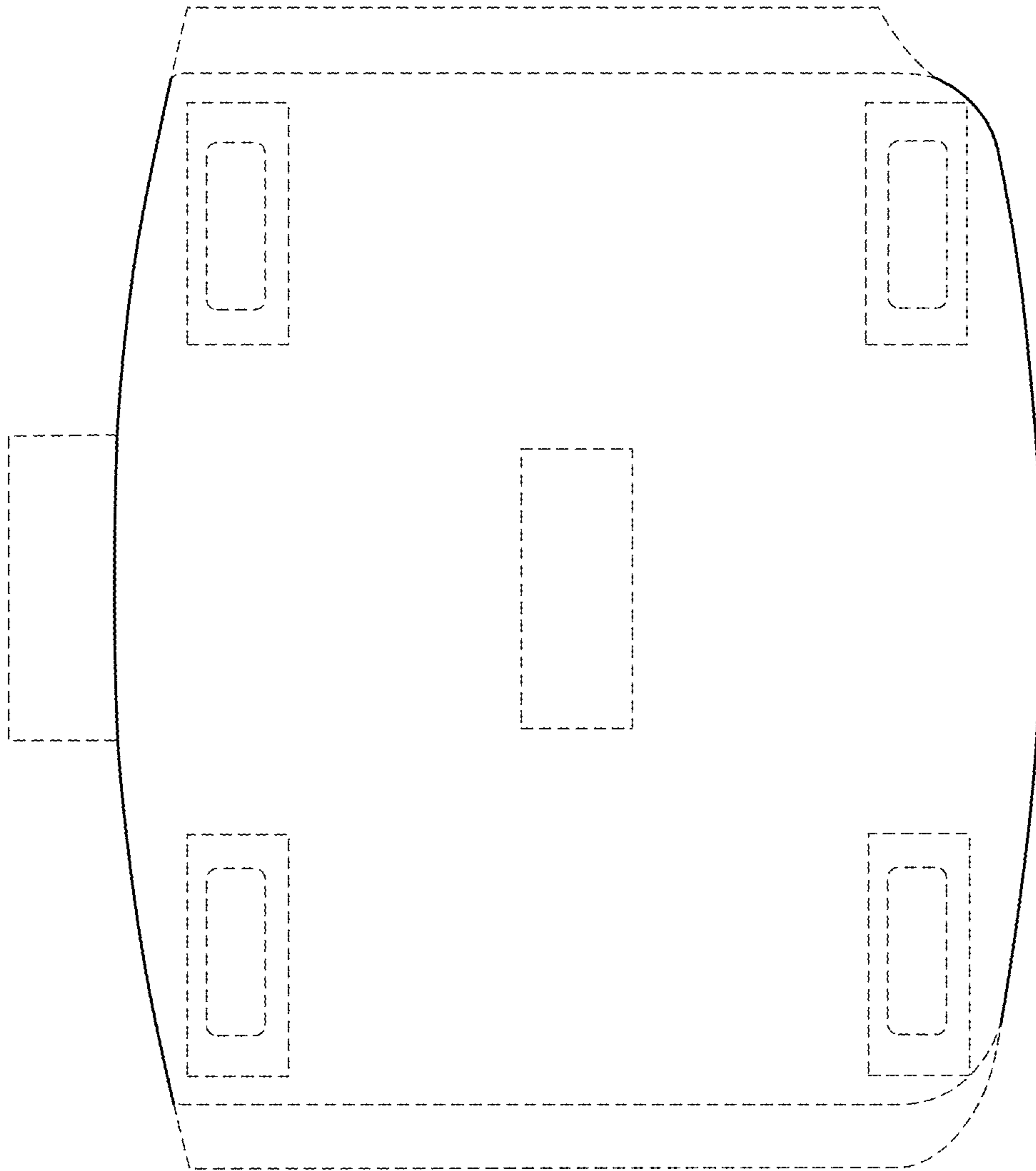


FIG.8