



US00D923122S

(12) **United States Design Patent** (10) **Patent No.:** **US D923,122 S**
Osler (45) **Date of Patent:** **** Jun. 22, 2021**

(54) **ROCKING MECHANISM**
(71) Applicant: **Kinetic Furniture of Vermont Inc.,**
Colchester, VT (US)
(72) Inventor: **Turner Osler,** Colchester, VT (US)
(73) Assignee: **TURNER to KINETIC FURNITURE**
OF VERMONT INC., Colchester, VT
(US)

D449,046 S * 10/2001 Loughnane D14/402
D466,121 S * 11/2002 von Ilberg D14/417
D470,496 S * 2/2003 Sheehan D14/409
D493,792 S * 8/2004 Rueb D14/402
D694,415 S * 11/2013 Viner D24/213
D707,842 S * 6/2014 Li D24/215
D732,182 S * 6/2015 Viner D24/212
9,533,187 B2 * 1/2017 Dalebout A63B 22/18
D780,318 S * 2/2017 Kandler D24/192
D815,218 S * 4/2018 Osler
D868,278 S * 11/2019 Smith D24/211
D908,228 S * 1/2021 Bauerfeind D24/190

(**) Term: **15 Years**

* cited by examiner

(21) Appl. No.: **29/712,710**

Primary Examiner — Khawaja Anwar

(22) Filed: **Nov. 11, 2019**

Assistant Examiner — Julice Seung Eun Oum

(51) **LOC (13) Cl.** **21-02**

(74) *Attorney, Agent, or Firm* — Shawn Gordon, Esq.;

(52) **U.S. Cl.**
USPC **D21/688**

Dunkiel Saunders Elliott; Raubvogel & Hand, PLLC

(58) **Field of Classification Search**
USPC D21/680, 688, 399, 412, 451, 492, 504,
D21/671, 686, 692, 694; D6/595, 596,
D6/597, 1, 604, 349, 350, 484, 334;
D25/65; D7/698, 699, 629, 388, 637;
D24/190, 191, 192, 167; D17/99;
D30/118

(57) **CLAIM**

The ornamental design for a rocking mechanism, as shown and described.

CPC . A63B 22/0605; A63B 69/0093; A63B 26/00;
A63B 23/04

DESCRIPTION

See application file for complete search history.

FIG. 1 is a perspective view of a rocking mechanism showing our new design;
FIG. 2 is a left view thereof;
FIG. 3 is a left view thereof;
FIG. 4 is a front view thereof;
FIG. 5 is a rear view thereof;
FIG. 6 is a top plan view thereof; and,
FIG. 7 is a bottom plan view thereof.

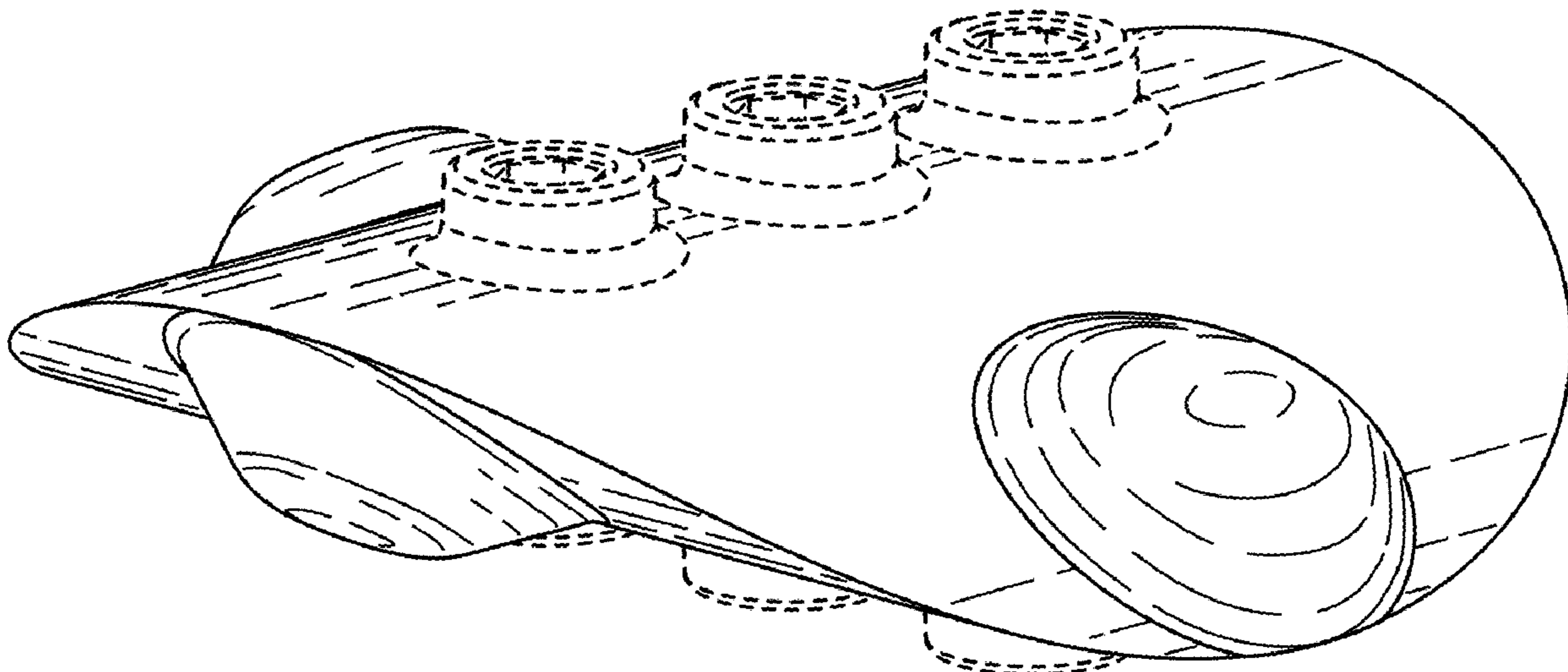
The portions shown in broken line are not part of the design as claimed.

(56) **References Cited**

U.S. PATENT DOCUMENTS

D429,502 S * 8/2000 Christianson D21/451
D442,961 S * 5/2001 Sheehan D14/417
D448,380 S * 9/2001 Sheehan D14/409

1 Claim, 7 Drawing Sheets



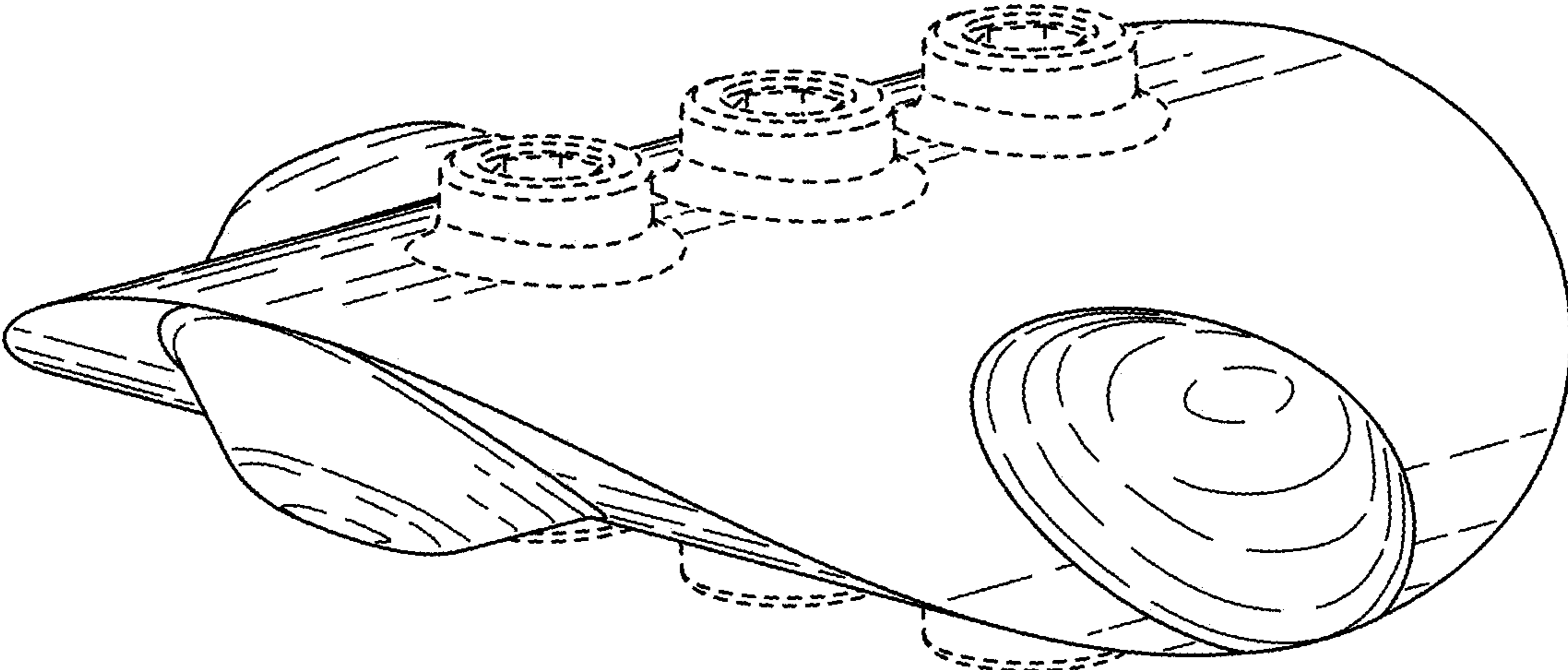


FIG. 1

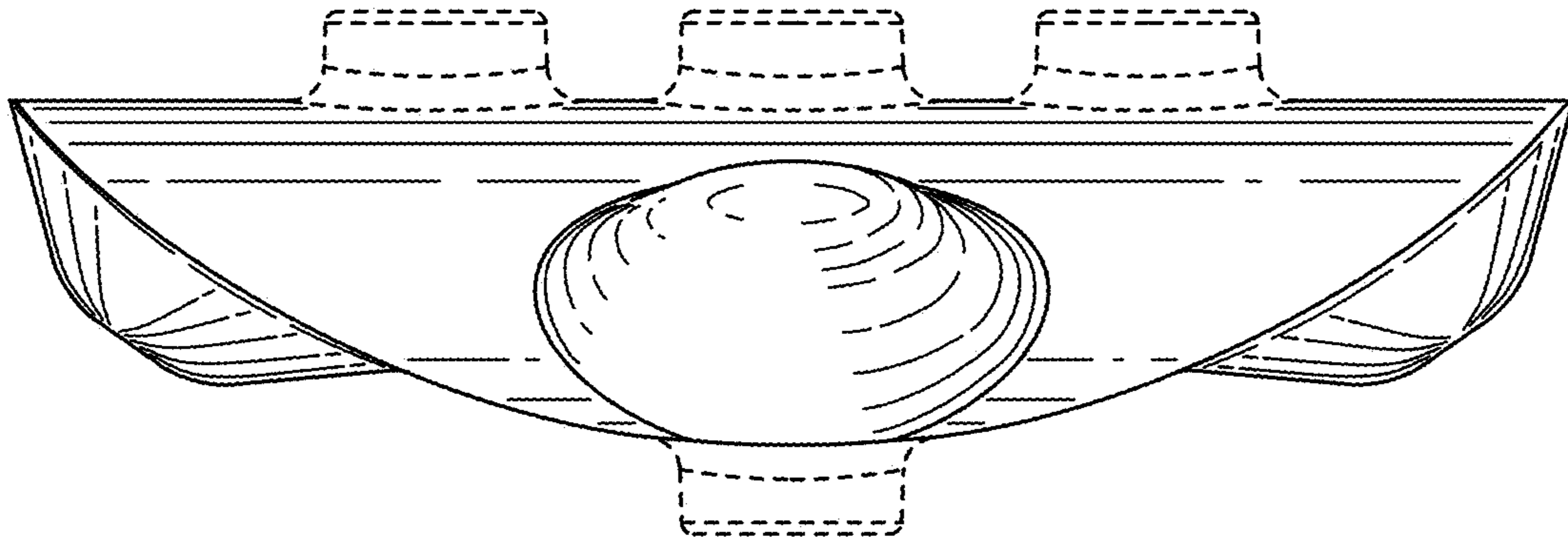


FIG. 2

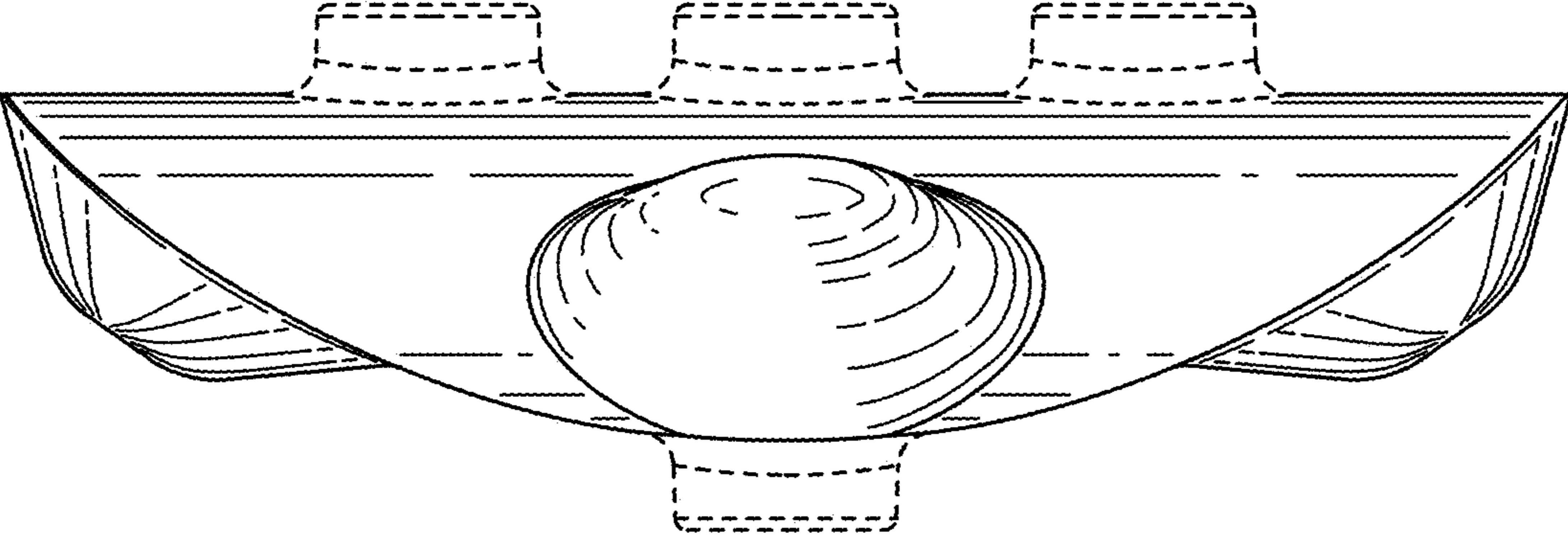


FIG. 3

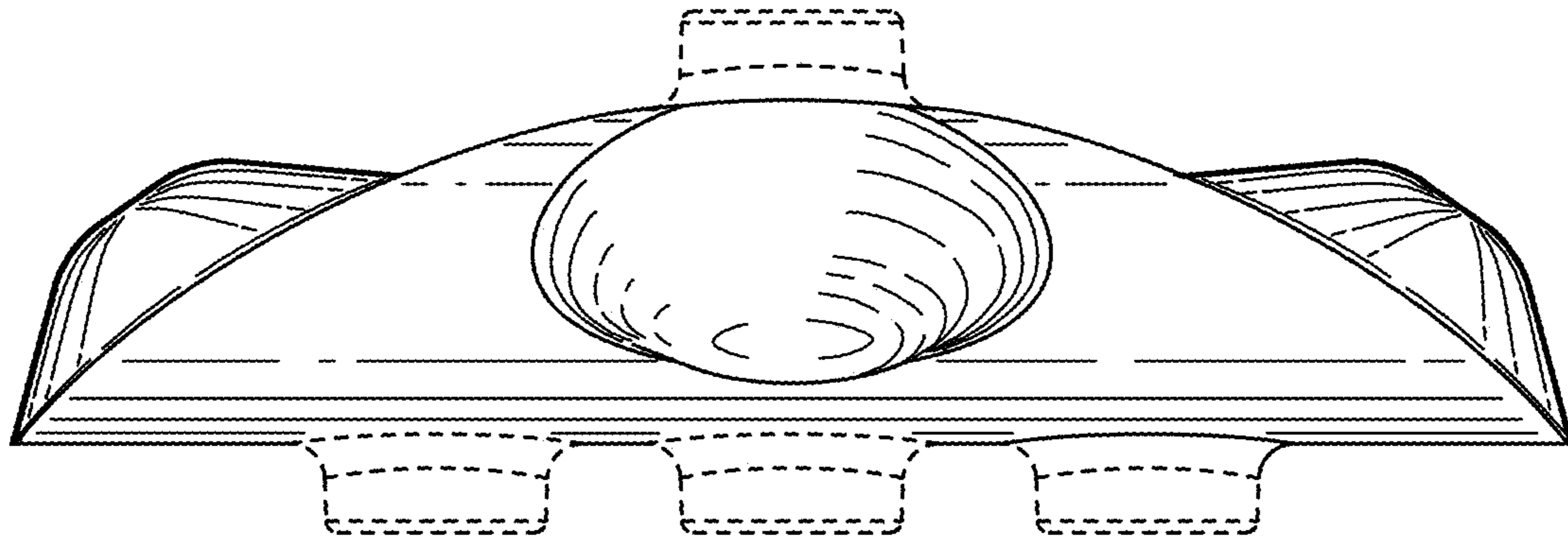


FIG. 4

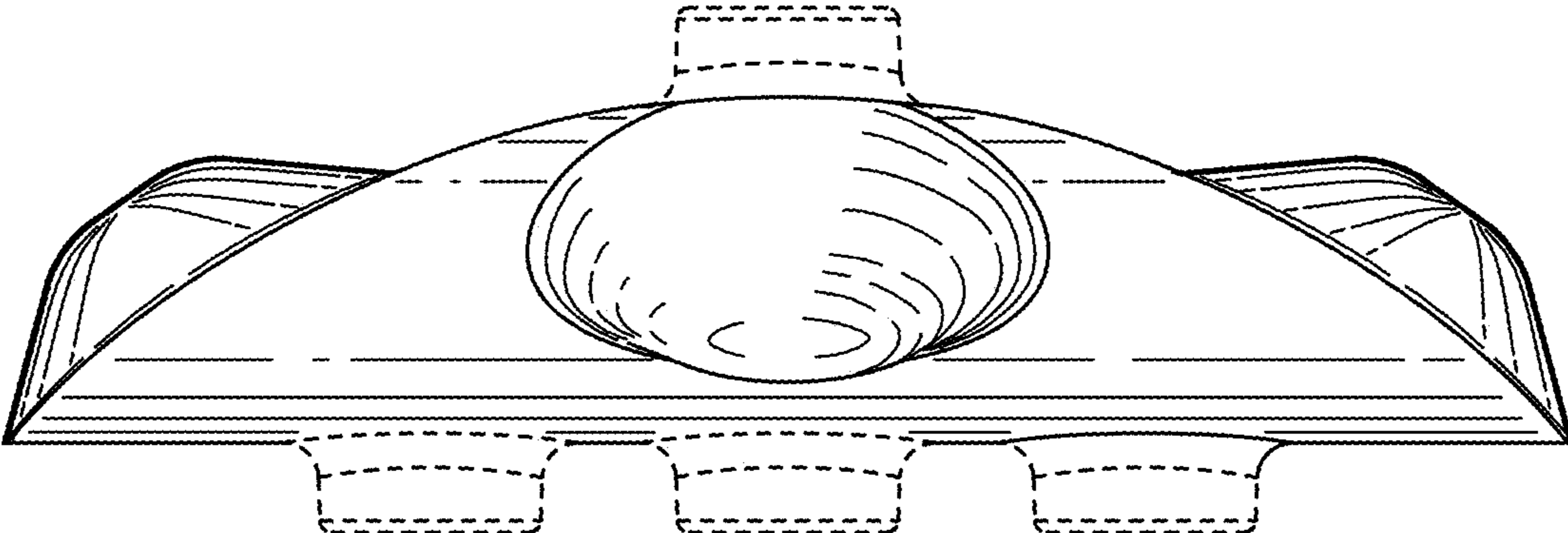


FIG. 5

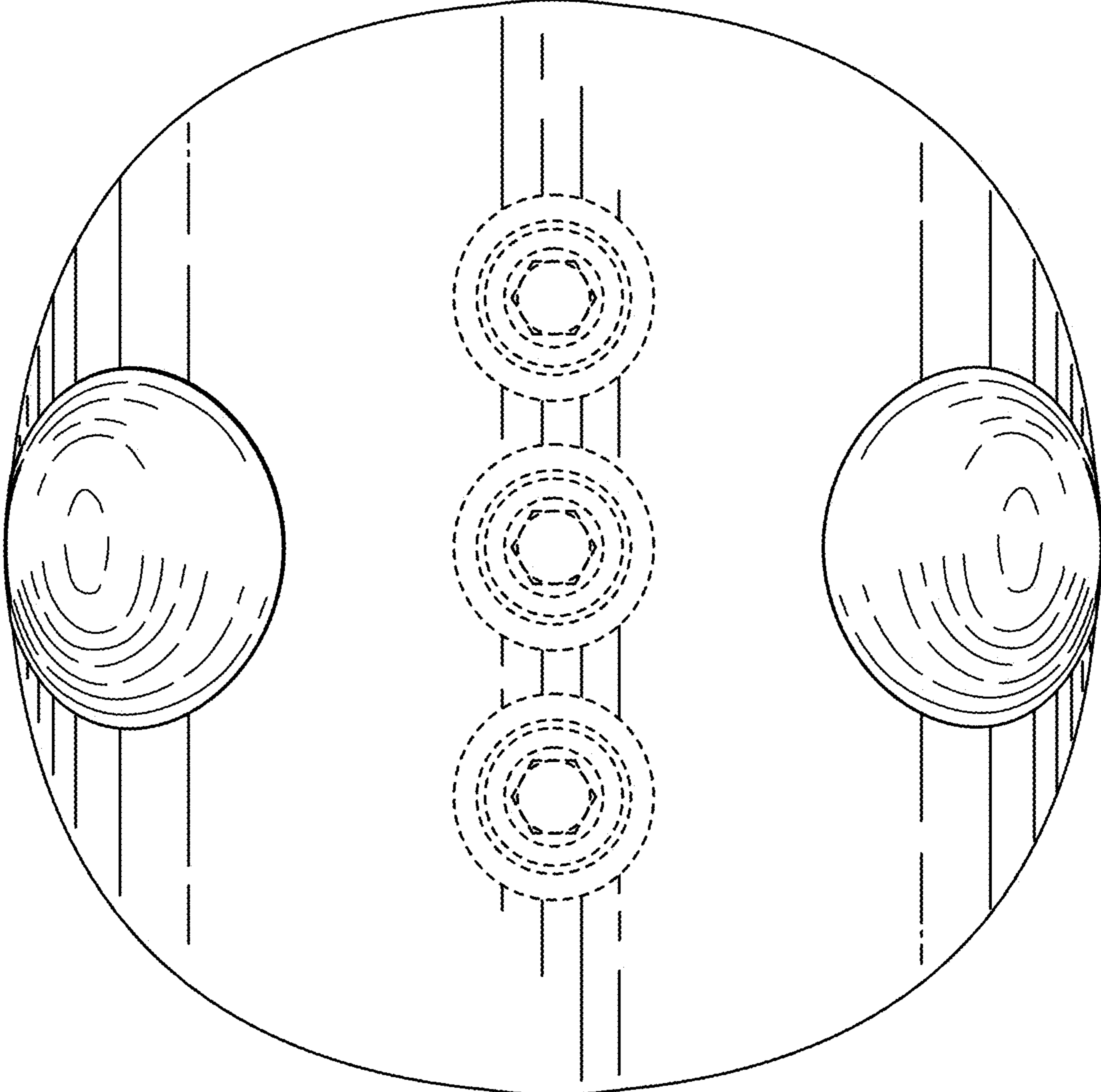


FIG. 6

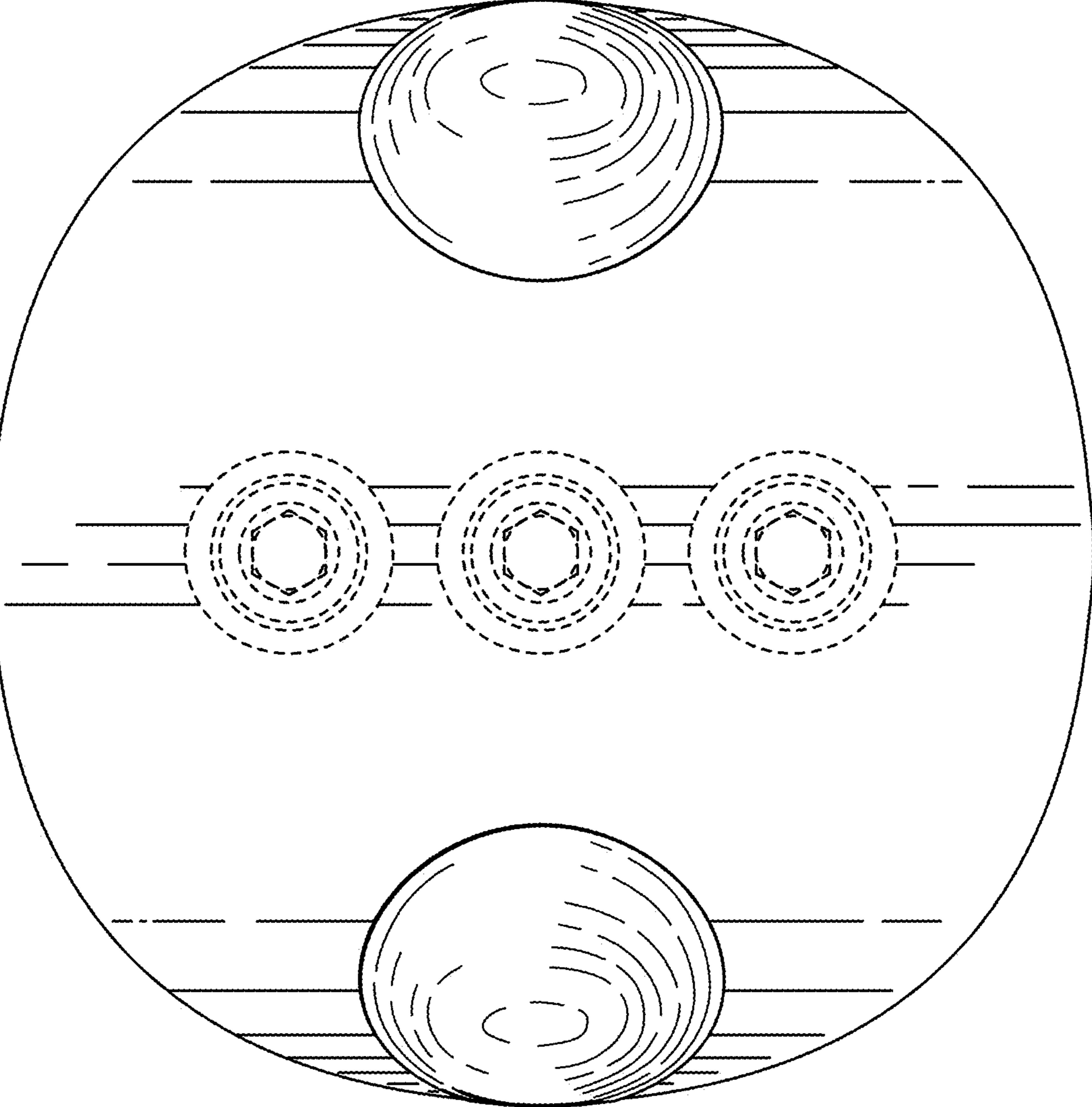


FIG. 7