



US00D923119S

(12) **United States Design Patent** (10) **Patent No.:** **US D923,119 S**
Hsieh (45) **Date of Patent:** **** Jun. 22, 2021**

(54) **ROWING EXERCISE MACHINE**
(71) Applicant: **Paradigm Health and Wellness**, City of Industry, CA (US)
(72) Inventor: **Paul Hsieh**, City of Industry, CA (US)
(**) Term: **15 Years**
(21) Appl. No.: **29/708,360**
(22) Filed: **Oct. 4, 2019**
(51) **LOC (13) Cl.** **21-02**
(52) **U.S. Cl.**
USPC **D21/674**
(58) **Field of Classification Search**
USPC D21/674, 662, 687, 694, 695, 801, 673
CPC A63B 21/0084; A63B 21/4035; A63B 22/0076
See application file for complete search history.

(56) **References Cited**

U.S. PATENT DOCUMENTS

481,730	A	8/1892	Miller	
885,074	A	4/1908	Nidever	
913,799	A	3/1909	Zund-Burguet	
3,764,132	A	10/1973	Hepburn	
4,010,948	A	3/1977	Deluty	
4,114,875	A	9/1978	Deluty	
4,591,150	A	5/1986	Mosher	
4,880,224	A *	11/1989	Jonas	A63B 21/153 482/72
4,974,832	A *	12/1990	Dalebout	A63B 21/00069 482/138
4,997,181	A *	3/1991	Lo	A63B 21/0088 482/110
6,071,215	A	6/2000	Raffo et al.	
6,126,580	A	10/2000	Francis et al.	
6,440,044	B1	8/2002	Francis et al.	
D861,805	S *	10/2019	Lisi	D21/674

2005/0085348	A1 *	4/2005	Kiefer	A63B 22/0076 482/72
2010/0190615	A1 *	7/2010	Baker	A63B 69/06 482/73
2012/0225753	A1 *	9/2012	Lim	H04B 7/024 482/4
2014/0243163	A1 *	8/2014	Edmondson	A63B 21/153 482/72
2015/0057130	A1 *	2/2015	Lin	A63B 22/0076 482/72
2016/0144223	A1 *	5/2016	Dalebout	A63B 22/0076 482/72
2016/0279464	A1 *	9/2016	Liu	A63B 21/005
2017/0014669	A1 *	1/2017	Hall	A63B 22/0076
2017/0043208	A1 *	2/2017	Lonergan	A63B 22/0087
2018/0126216	A1 *	5/2018	Hamilton	A63B 21/0088

* cited by examiner

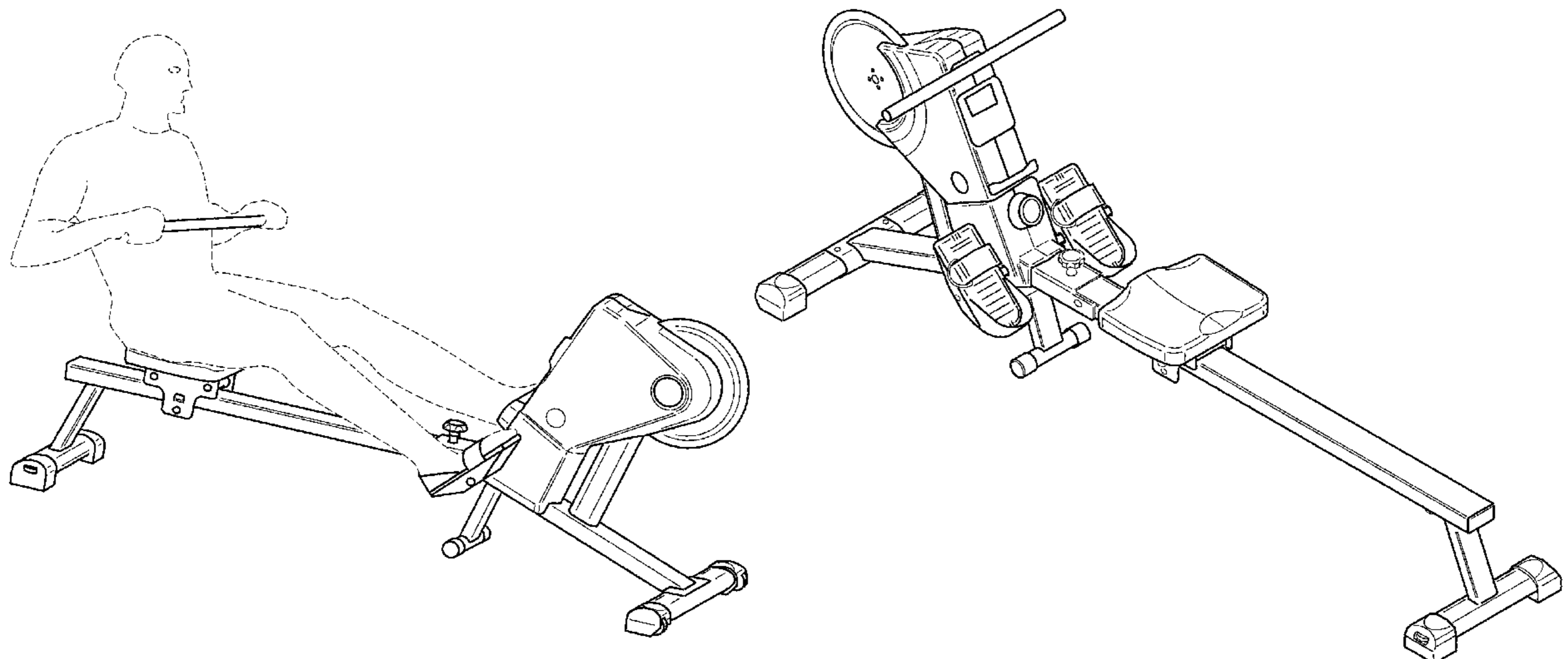
Primary Examiner — Khawaja Anwar
Assistant Examiner — Julice Seung Eun Oum
(74) *Attorney, Agent, or Firm* — Kirk A. Buhler; Buhler & Associates Patenting

(57) **CLAIM**
The ornamental design for a rowing exercise machine, as shown and described.

DESCRIPTION

FIG. 1 is a top front perspective view of a rowing exercise machine, showing my new design in its environment;
FIG. 2 is a right side elevation view thereof;
FIG. 3 is a left side elevation view thereof;
FIG. 4 is a top plan view thereof;
FIG. 5 is a bottom view thereof;
FIG. 6 is a front elevation view thereof;
FIG. 7 is a rear elevation view thereof; and,
FIG. 8 is a top rear side perspective view.
The broken lines in FIG. 1 depict environment shown in use and form no part of the claimed design.

1 Claim, 5 Drawing Sheets



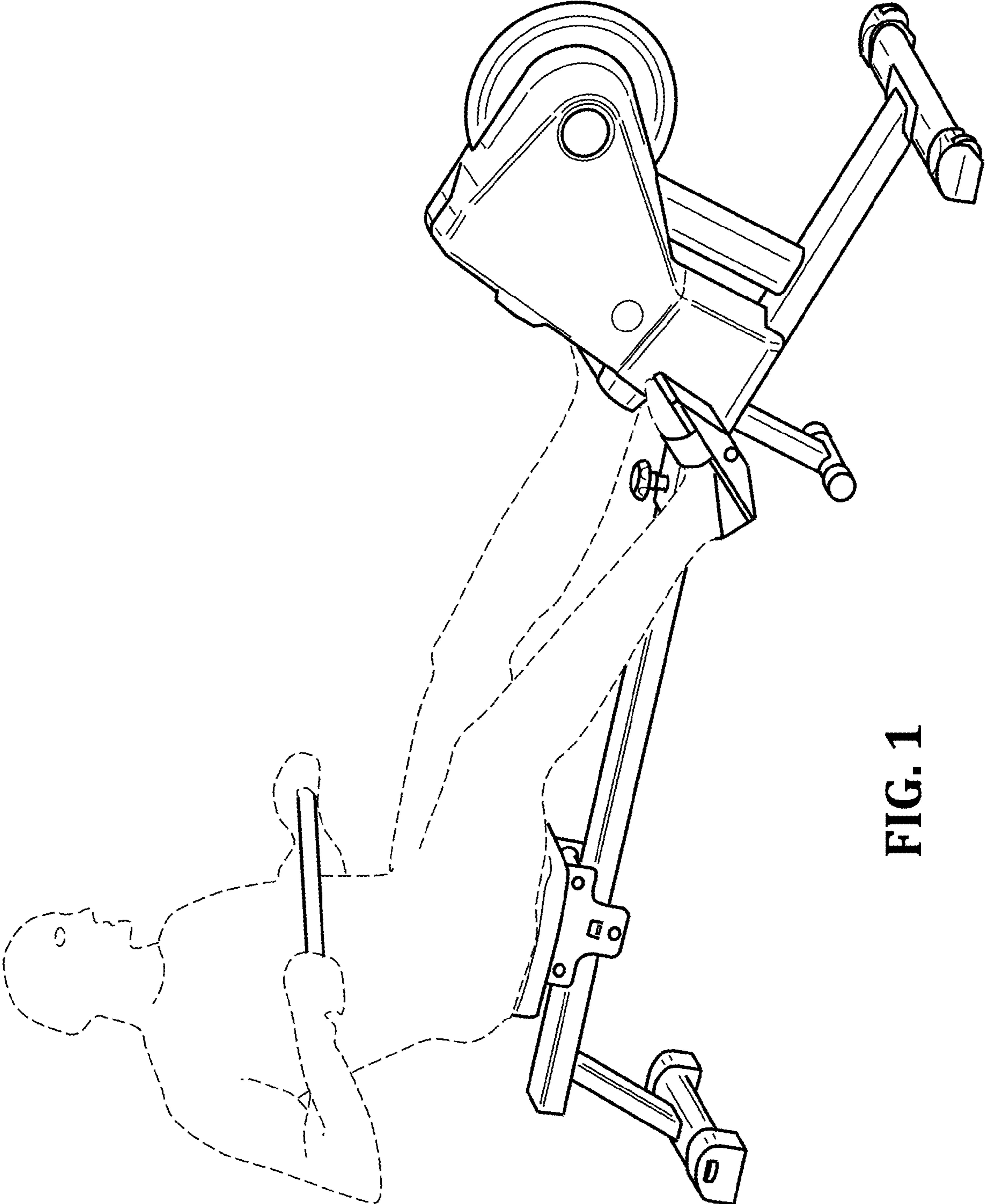
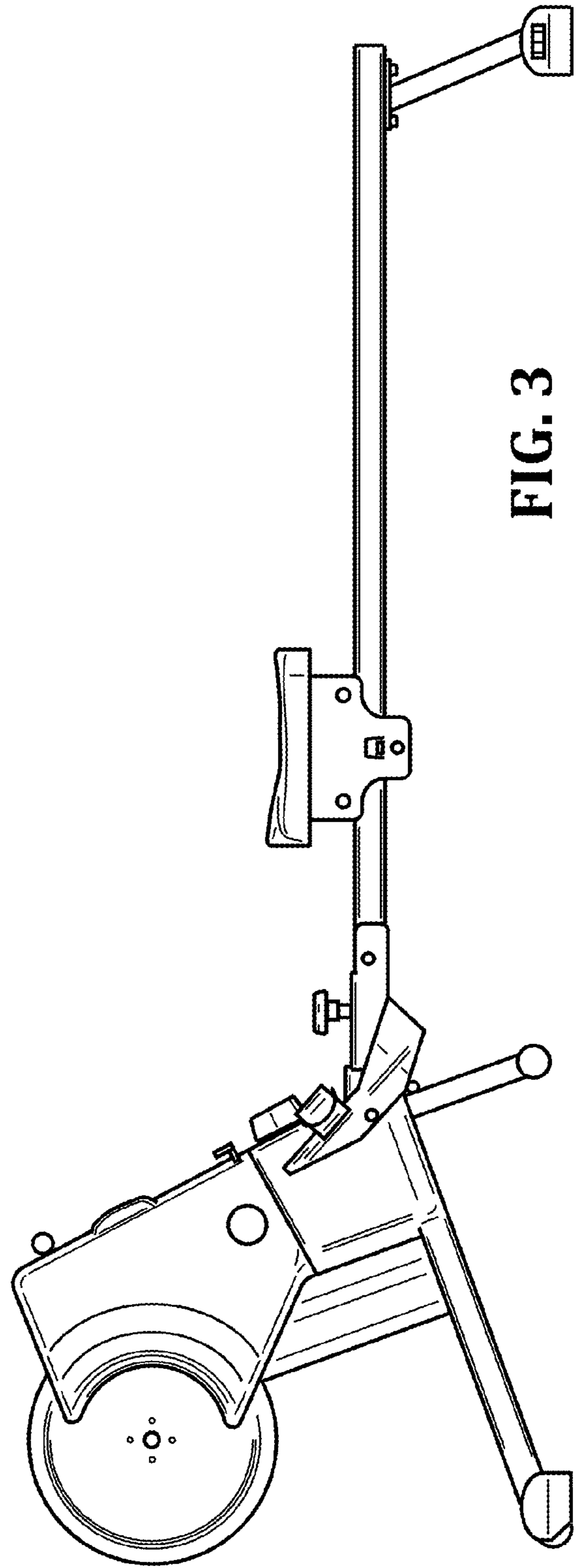
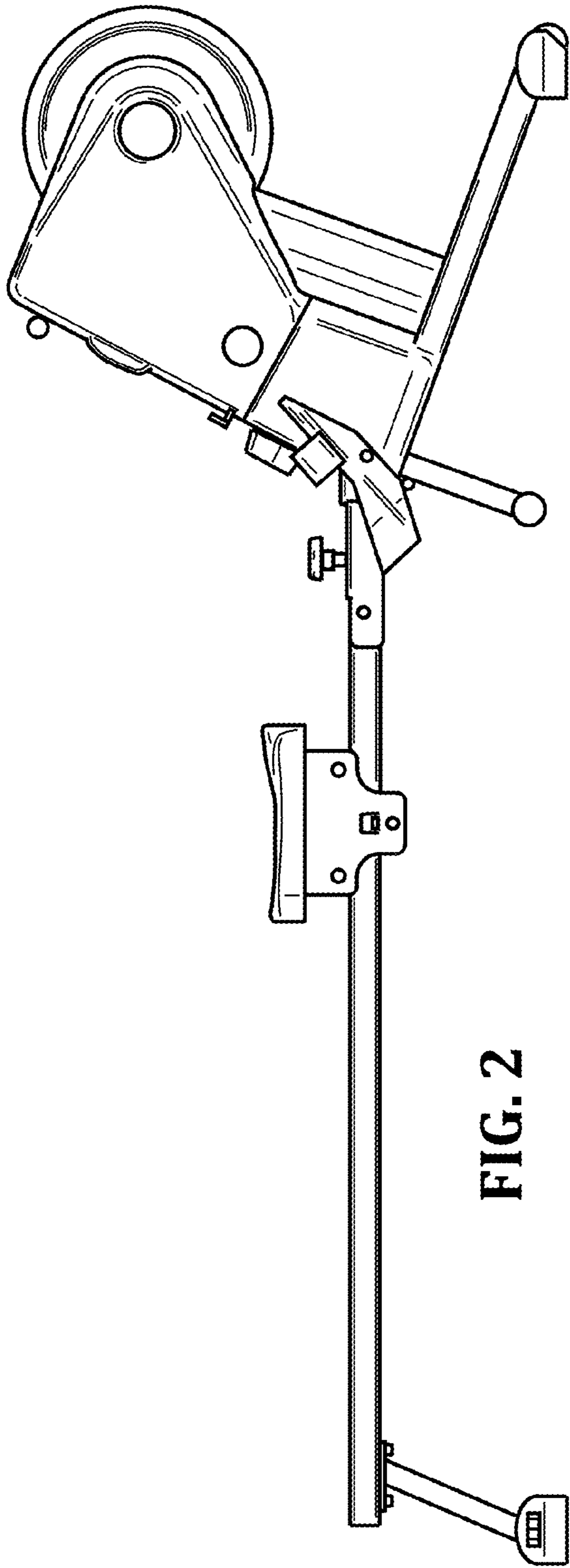


FIG. 1



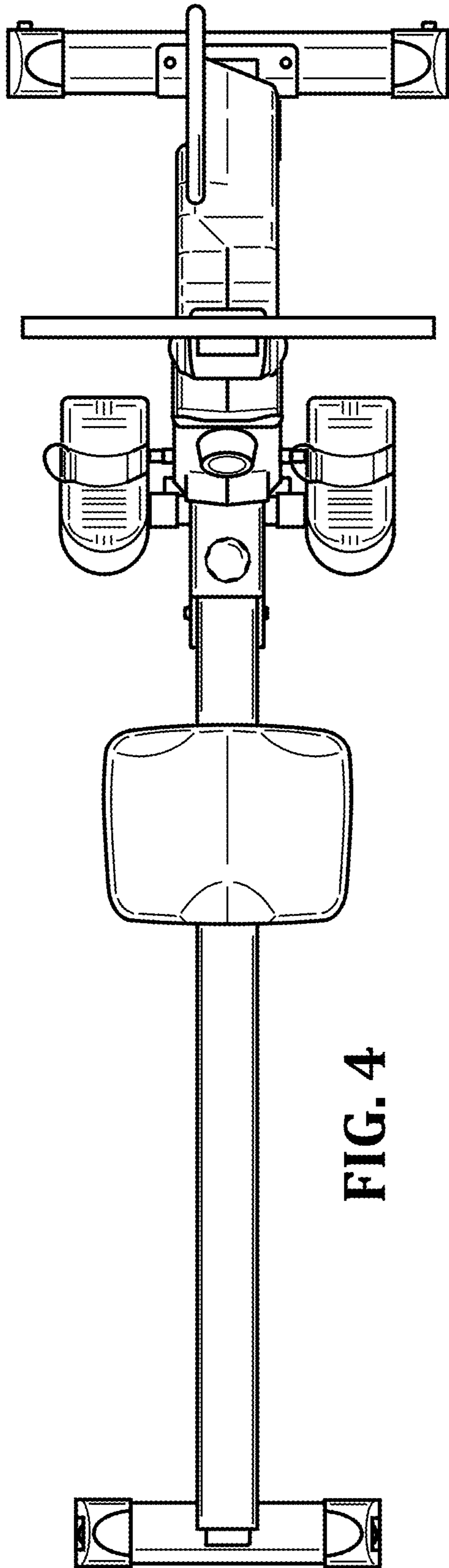


FIG. 4

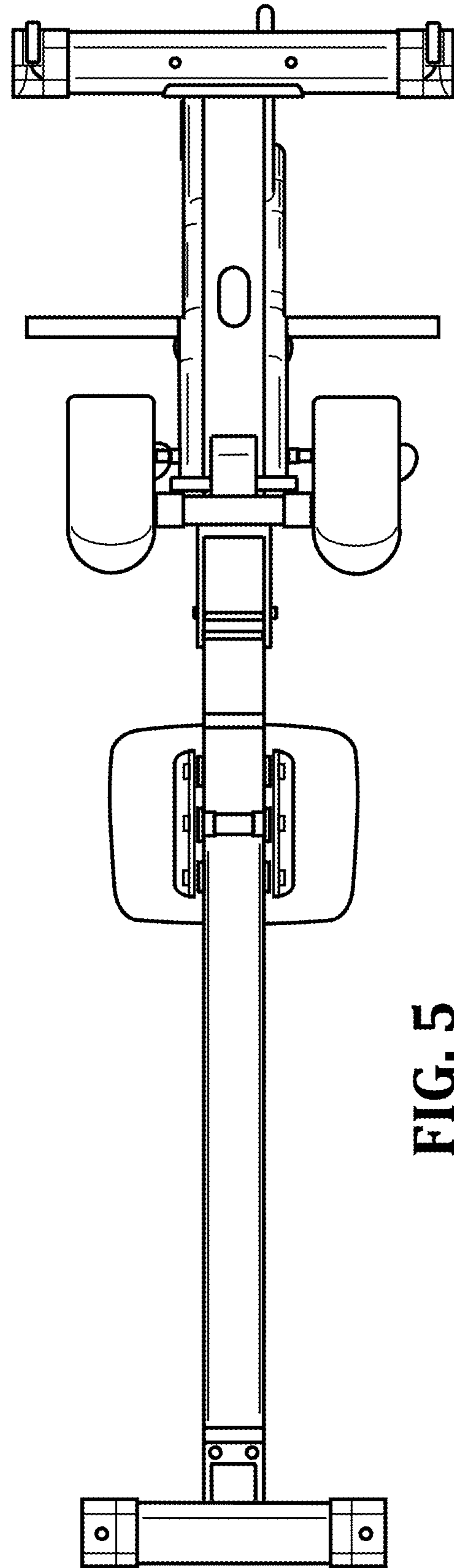


FIG. 5

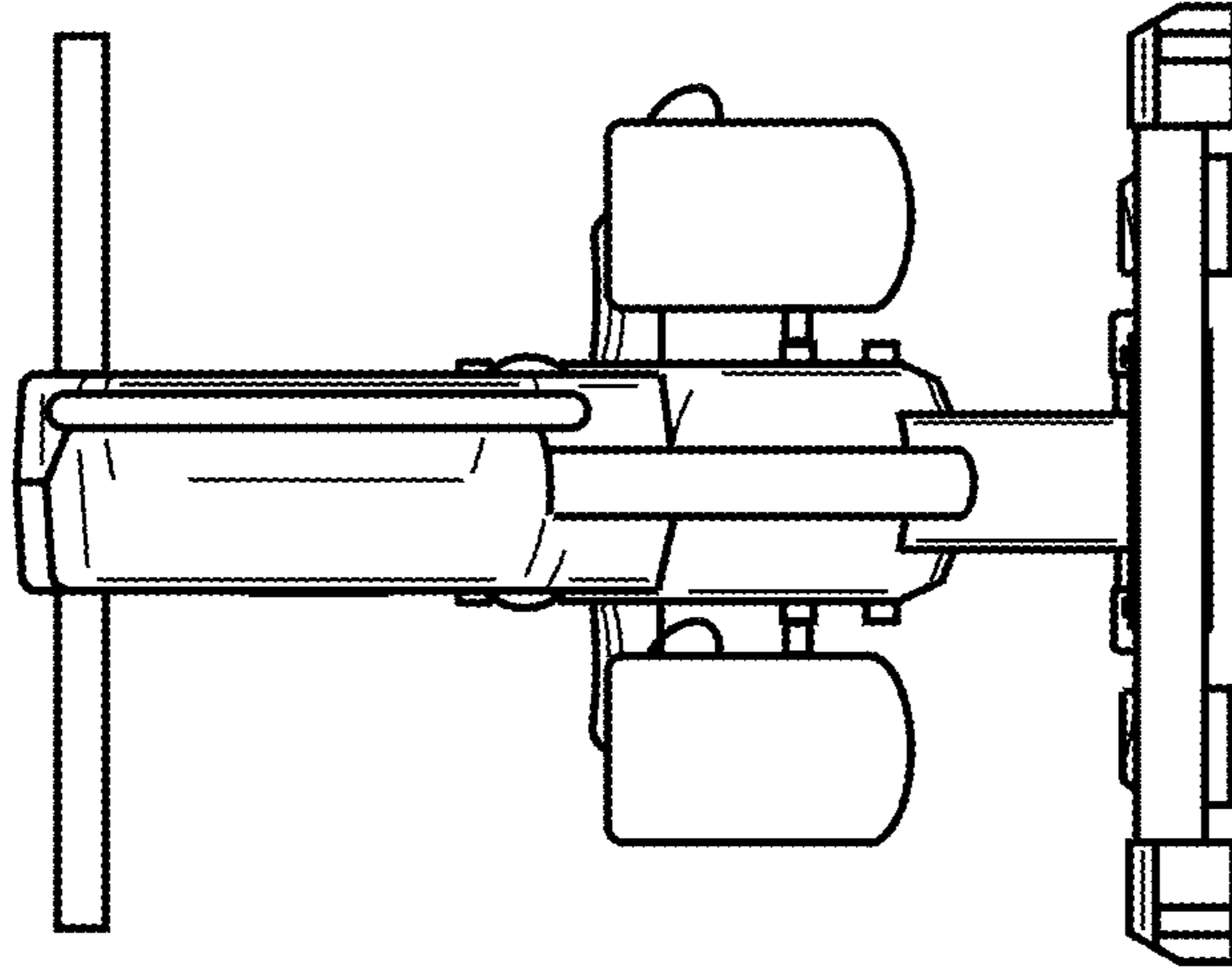


FIG. 7

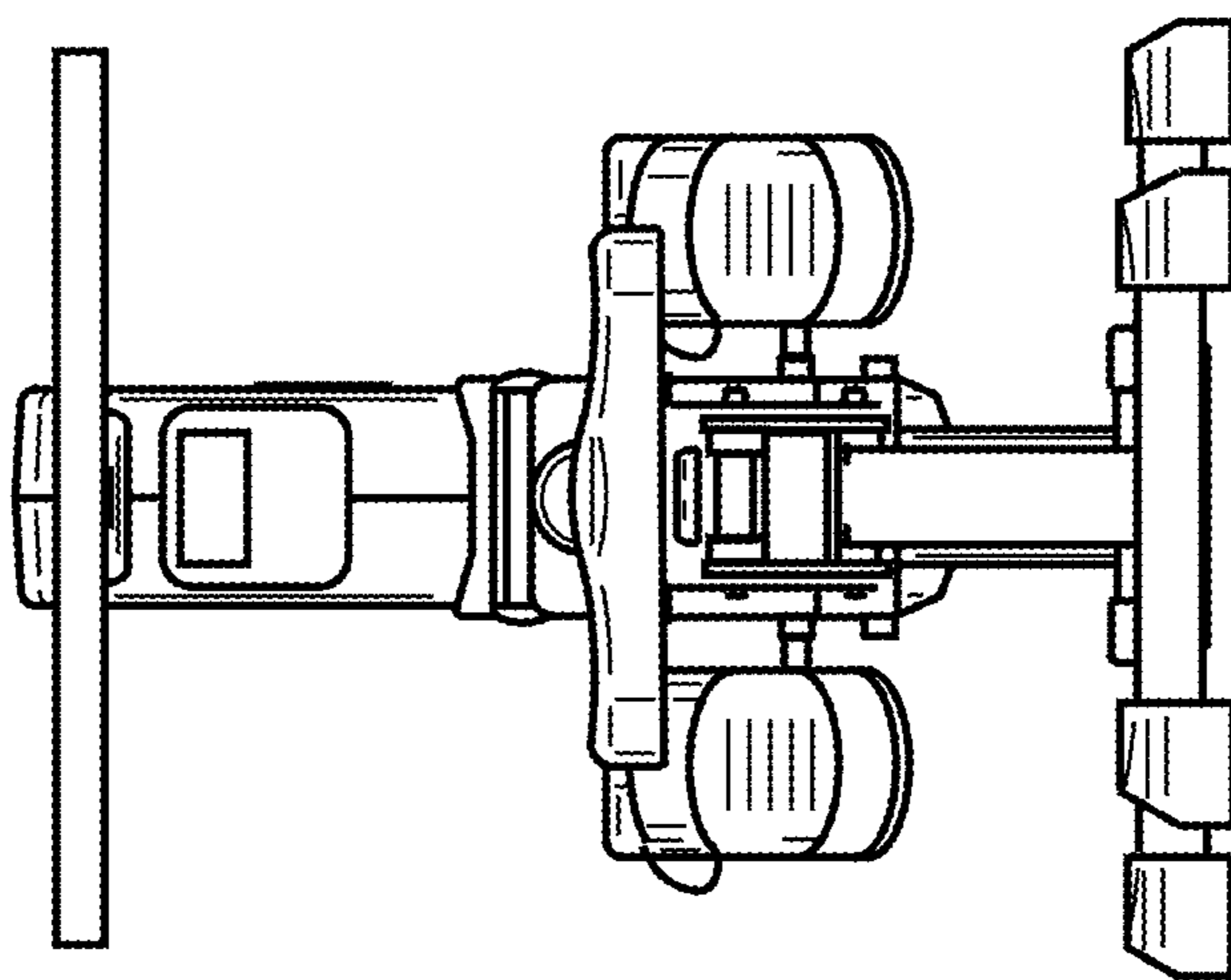


FIG. 6

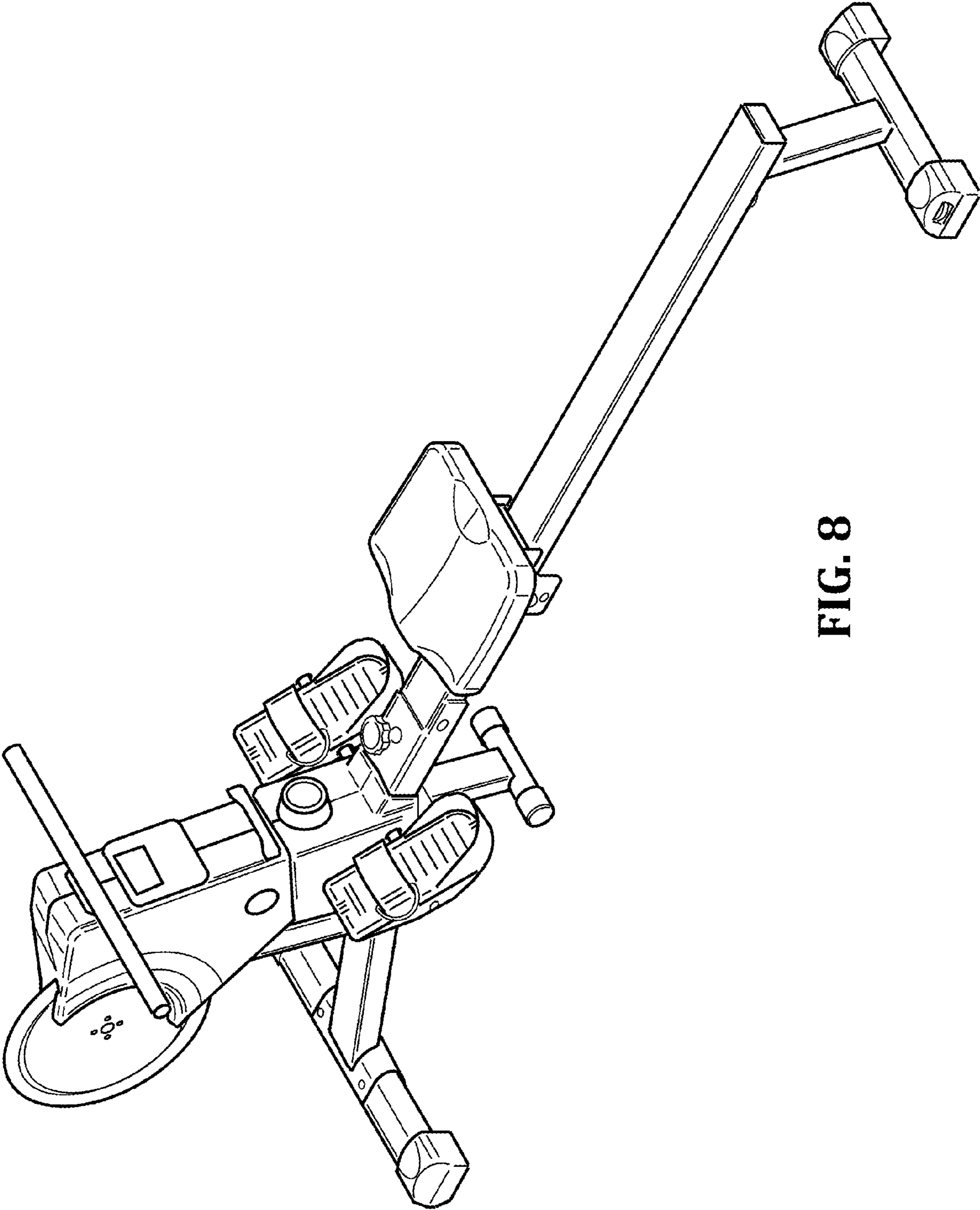


FIG. 8